

## Ersatzteilliste-Explosionszeichnung

COOL-LINE Kühlschrank KU 1402 BASE



**Thermoregulator**  
**-2/0°C - 2M - full door**

# CABINETS MASS/GAB R290

PNC	MODEL	REF	PAGE	DESCRIPTION	NOTE/ BRAND
110801	ZX142GR	g	4,6,7	2-GLASS DOOR REFR. 1430L +2+10°C, DIGITAL-R290	Zanussi
110802	ZX144HR	m	5,6,7,8,9	4x½-DOOR REFRIG. 1430L -2+10°C,DIGITAL-R290	Zanussi
110810	ZE4142FR	p	3,6,7,8,9	2-DOOR REFRIG. 1430L 0+6°C,DIGITAL,S/S-R290	Zanussi
110811	ZE4142GR	s	4,6,7	2-GLASS DOOR REFR 1430L +2+10°C, DIGITAL,S/S-R290	Zanussi
<b>110957</b>	<b>ZX144HR</b>	<b>m</b>	<b>5,6,7,8,9</b>	<b>4x½-DOOR REFRIGERATOR 1430L -2+10°C,DIGITAL, A304-R290</b>	<b>Zanussi</b>
<b>110963</b>	<b>ZE4142FR</b>	<b>p</b>	<b>3,6,7,8,9</b>	<b>2-DOOR REFRIGERATOR 1430L 0+6°C, DIGITAL ,S/ S - R290</b>	<b>Zanussi</b>
<b>725362</b>	<b>REX144HR</b>	<b>l</b>	<b>5,6,7,8,9</b>	<b>4x½-DOOR REFRIGERATOR 1430L -2+10°C, DIGITAL, A304-R290-COSTA COFFEE</b>	<b>EPR</b>
<b>725370</b>	<b>RE4142FR</b>	<b>o</b>	<b>3,6,7,8,9</b>	<b>2-DOOR REFRIGERATOR 1430L 0+6°C, DIGITAL, S/S-R290</b>	<b>EPR</b>
<b>725373</b>	<b>REK142FR</b>	<b>u</b>	<b>3,6,7,8,9</b>	<b>2-DOOR REFRIGERATOR 1430L 0+6°C, DIGITAL, A304-R290</b>	<b>EPR</b>
<b>725375</b>	<b>RE4142FN</b>	<b>v</b>	<b>3,6,7,8,9</b>	<b>2-DOOR REFRIGERATOR 1430L -2+10°C, DIGITAL, S/S-R290</b>	<b>EPR</b>
<b>725380</b>	<b>RE471FLR</b>	<b>w</b>	<b>3,6,7,8,9</b>	<b>2-DOOR REFRIGERATOR 1430L+WHEELS 0+6°C, DIGITAL, A304 - R290</b>	<b>EPR</b>
727830	REX142GR	a	4,6,7	2-GLASS DOOR REFR. 1430L +2+10°C, DIGIT-R290	EPR
727831	REX144HR	l	5,6,7,8,9	4x½-DOOR REFRIG. 1430L -2+10°C,DIG-R290	EPR
727841	RE4142FR	o	3,6,7,8,9	2-DOOR REFRIG. 1430L 0+6°C,DIG,S/S-R290	EPR
727842	RE4142GR	r	4,6,7	2-GLASS DOOR REFR 1430L +2+10°C, DIGIT,S/S-R290	EPR
727845	REK142FR	u	3,6,7,8,9	2-DOOR REFRIG. 1430L 0+6°C, DIGITAL-R290	EPR
727847	RE4142FN	v	3,6,7,8,9	2-DOOR REFRIG 1430L -2+10°C,DIG,S/S-R290	EPR
727852	RE471FLR	w	3,6,7,8,9	2-DOOR DIGITAL REFRIGERATOR+WHEELS 1430L 0+6°-S/S-LEFT-R290	EPR
729560	ARX142GR	h	4,6,7	2-GLASS DOOR REFR. 1430L +2°+10°C, DIGITAL-R290	Alpen
729561	ARX144HR	n	5,6,7,8,9	4x½-DOOR REFRIG 1430L -2°+10°C,DIGITAL-R290	Alpen
729570	AR4142FR	q	3,6,7,8,9	2-DOOR REFRIG 1430L 0+6°C,DIGITAL,S/S-R290	Alpen
729571	AR4142GR	t	4,6,7	2-GLASS DOOR REFR 1430L +2°+10°C,DIGITAL,S/S-R290	Alpen

**Note:** per la corretta identificazione dei componenti, attenersi esclusivamente alle pagine indicate e alla lettera di riferimento.

**Note:** for the correct identification of the components, follow the indicated pages and the reference letter.

**Index**  
Pag. 3,4,5 Cabinet and door  
6,7 Cooling unit assembly  
8,9 Control panel  
10-13 Spare parts list

**Indice**  
Armadio e porta  
Gruppo refrigerante  
Pannello comandi  
Lista ricambi

Rev.4

**Thermoregulator**  
-2/0°C - 2M - full door

# CABINETS MASS/GAB R290

PNC	MODEL	REF	PAGE	DESCRIPTION	NOTE/ BRAND
729574	ARN4142FN	z	3,6,7,8,9	2-DOOR REFRIG 1430L -2°+10°C,DIGITAL,S/S-R290	Alpen
<b>729679</b>	<b>ARN4142FN</b>	<b>z</b>	<b>3,6,7,8,9</b>	<b>2-DOOR REFRIGERATOR 1430L -2+10°C, DIGITAL, S/S - R290</b>	<b>Alpen</b>
190D4Q	ZE4142FR	b	3,6,7,8,9	2-DOOR REFRIG. 1430L 0+6°C,DIGITAL,S/S-R290-UK	Zanussi
<b>190EWZ</b>	<b>ZE4142FR</b>	<b>j</b>	<b>3,6,7,8,9</b>	<b>2-DOOR REFRIGERATOR 1430L 0+6°C, DIGITAL ,S/ S - R290 UK PLUG</b>	<b>Zanussi</b>

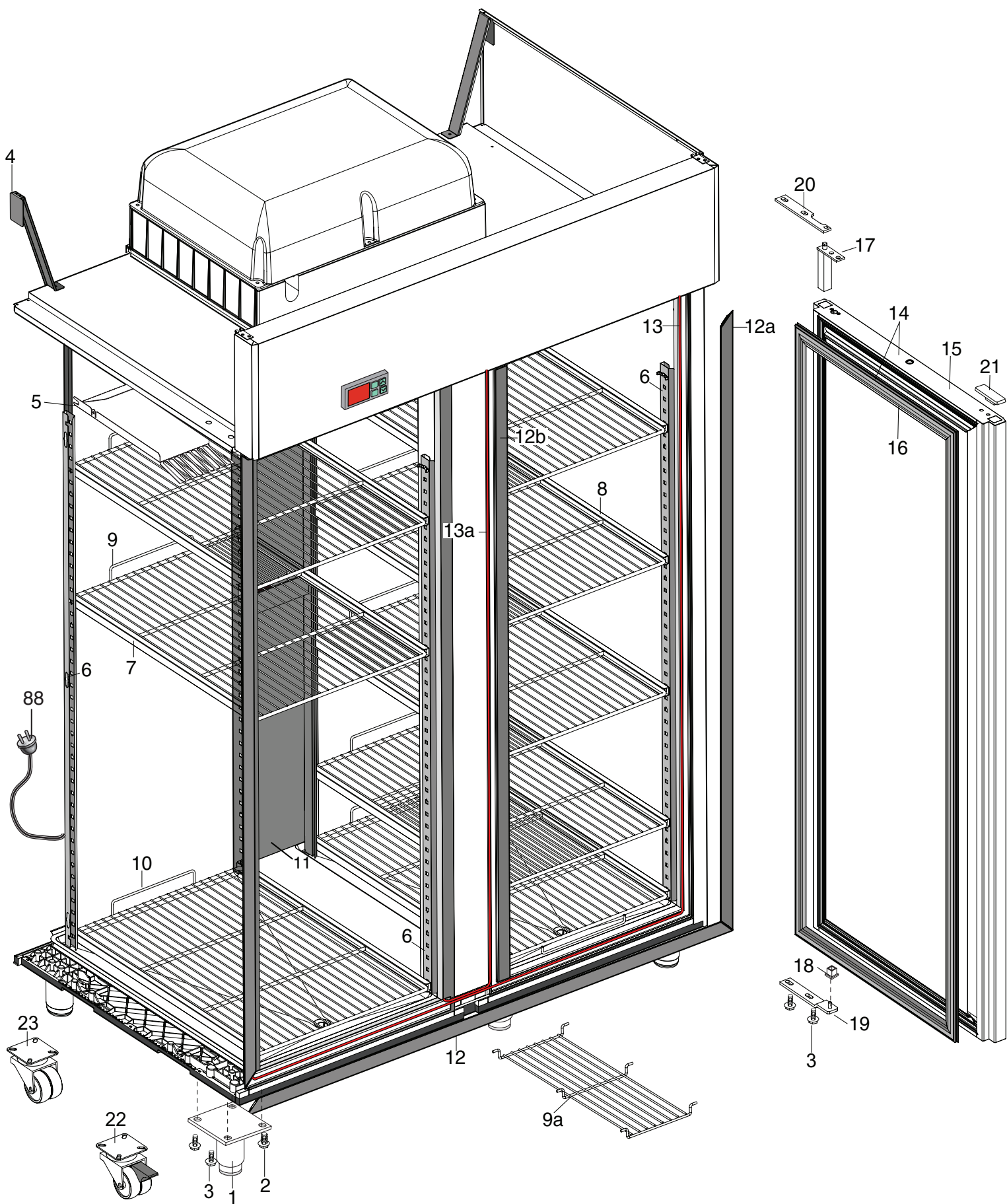
**Note:** per la corretta identificazione dei componenti, attenersi esclusivamente alle pagine indicate e alla lettera di riferimento.

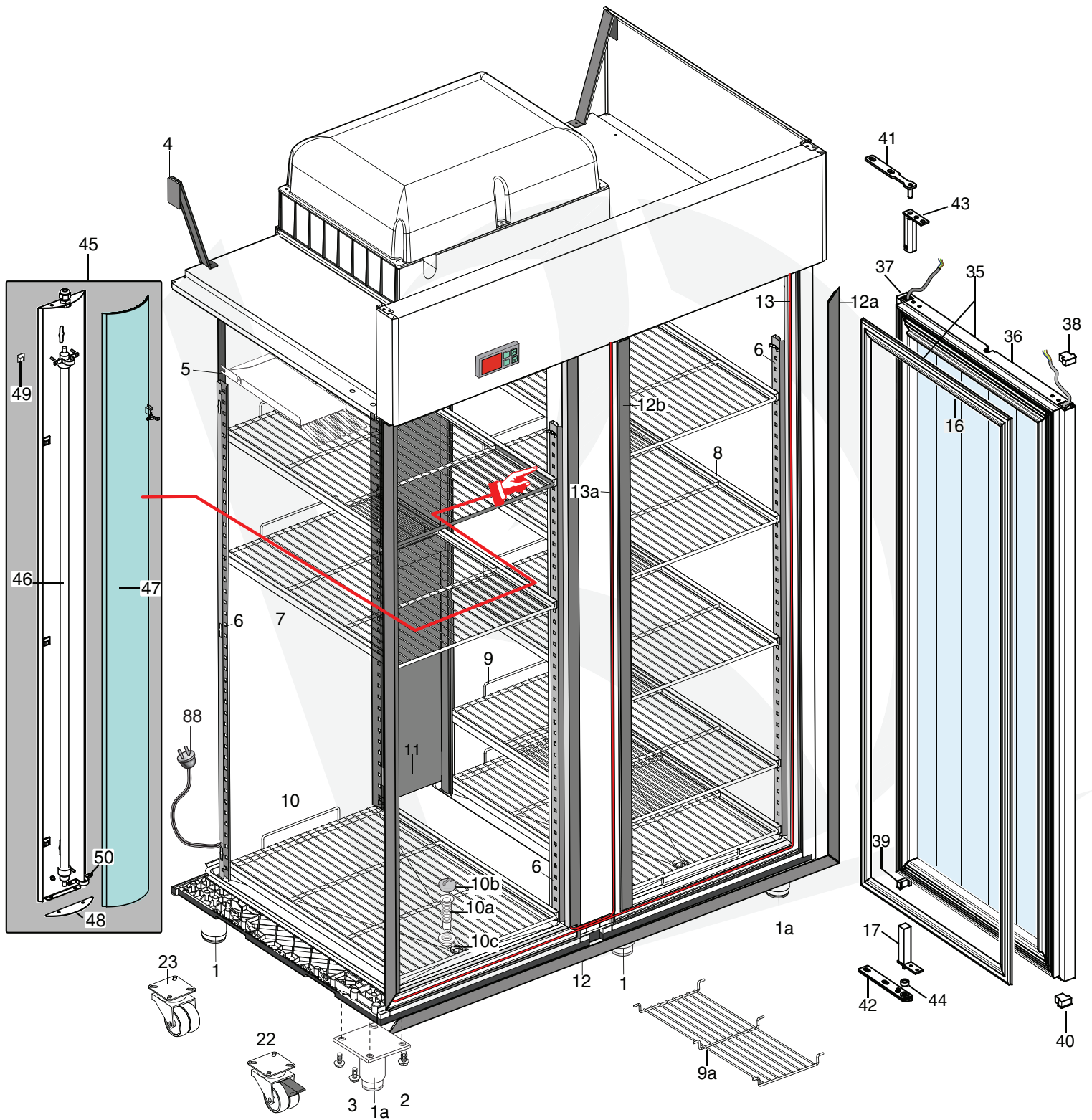
**Note:** for the correct identification of the components, follow the indicated pages and the reference letter.

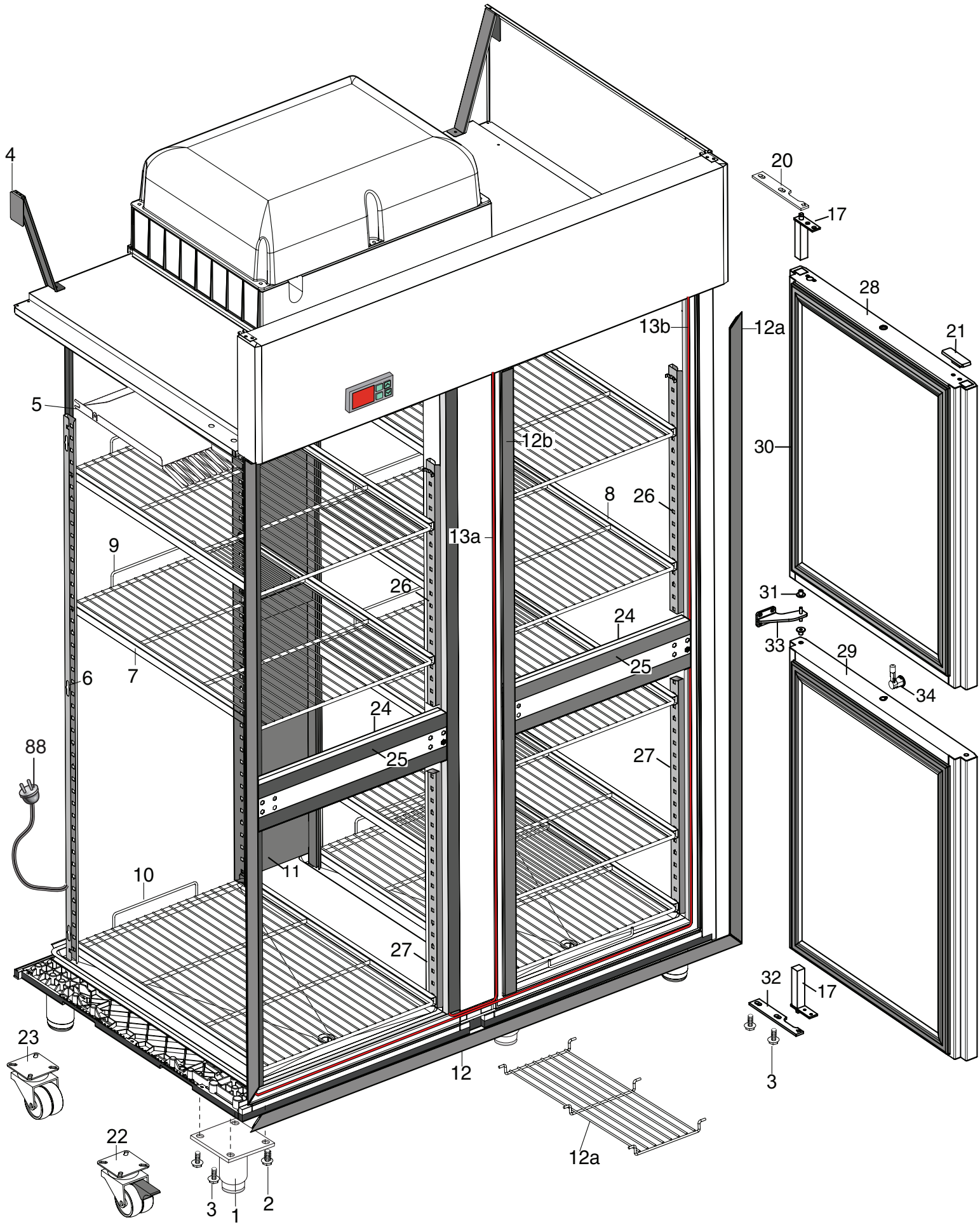
Pag. 3,4,5  
6,7  
8,9  
10-13

**Index**  
Cabinet and door  
Cooling unit assembly  
Control panel  
Spare parts list

**Indice**  
Armadio e porta  
Gruppo refrigerante  
Pannello comandi  
Lista ricambi

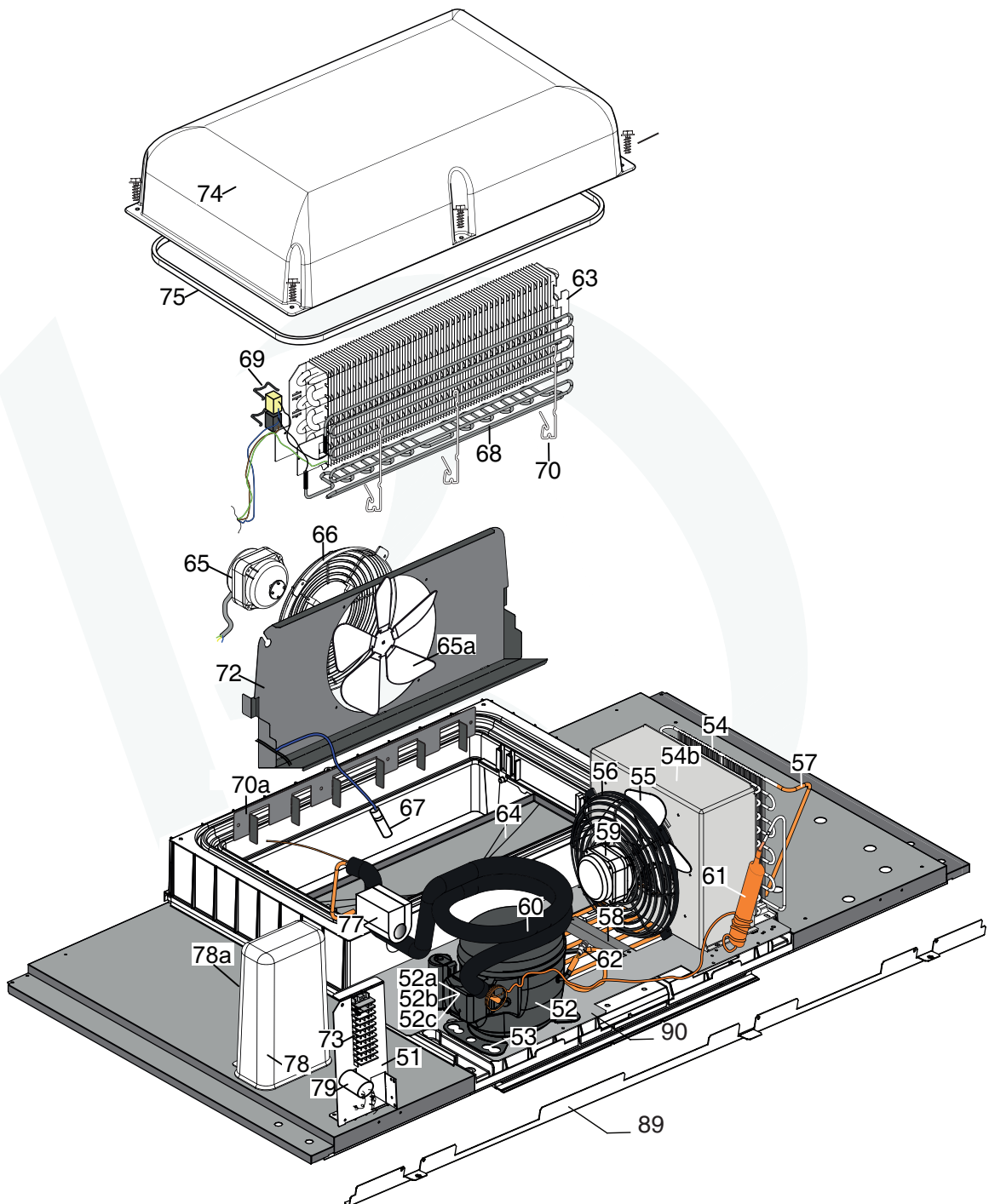






# COOLING UNIT ASSEMBLY

UP TO WK 37/2021 FOR FULL DOOR, ALWAYS FOR GLASS DOOR

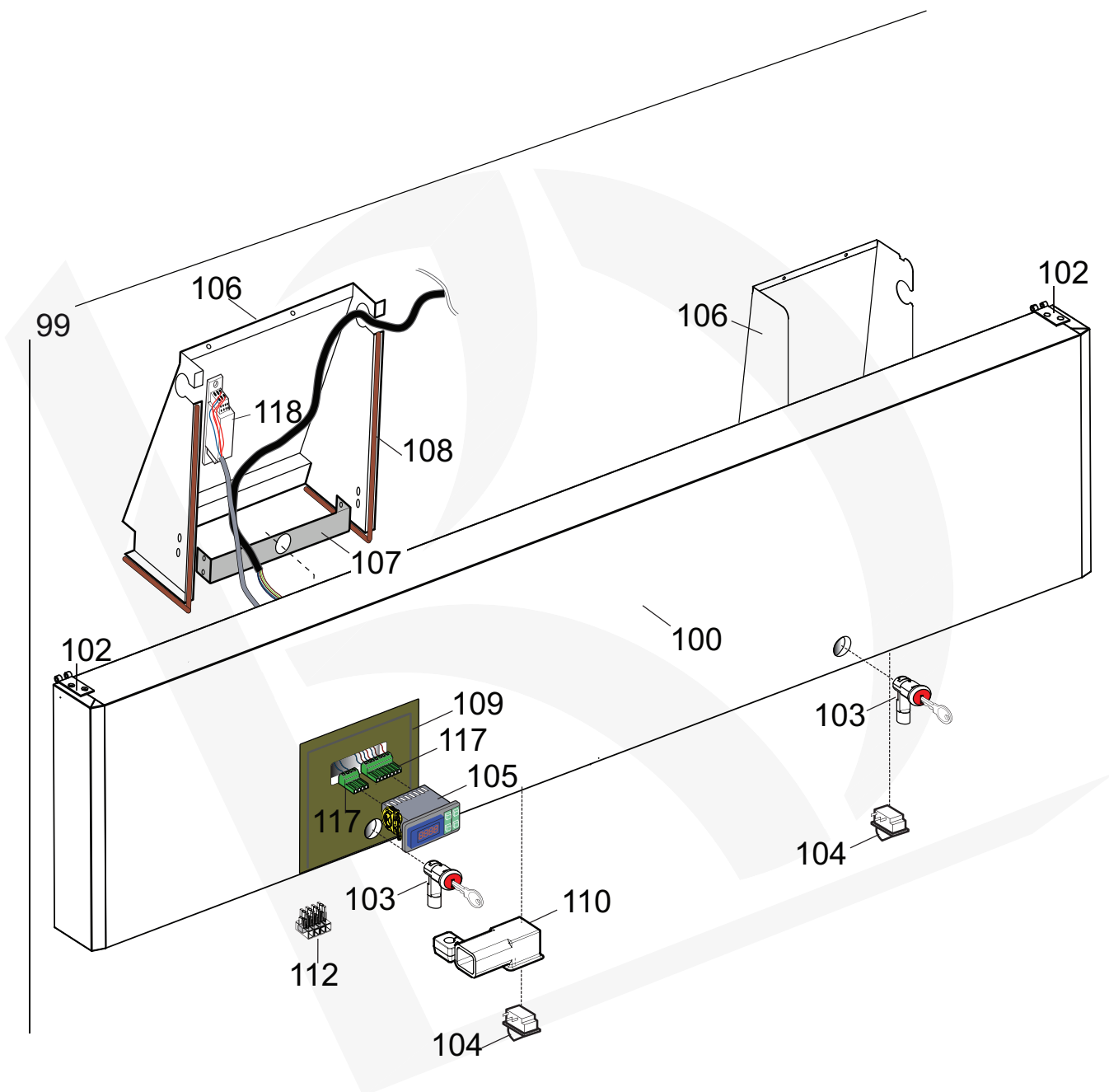




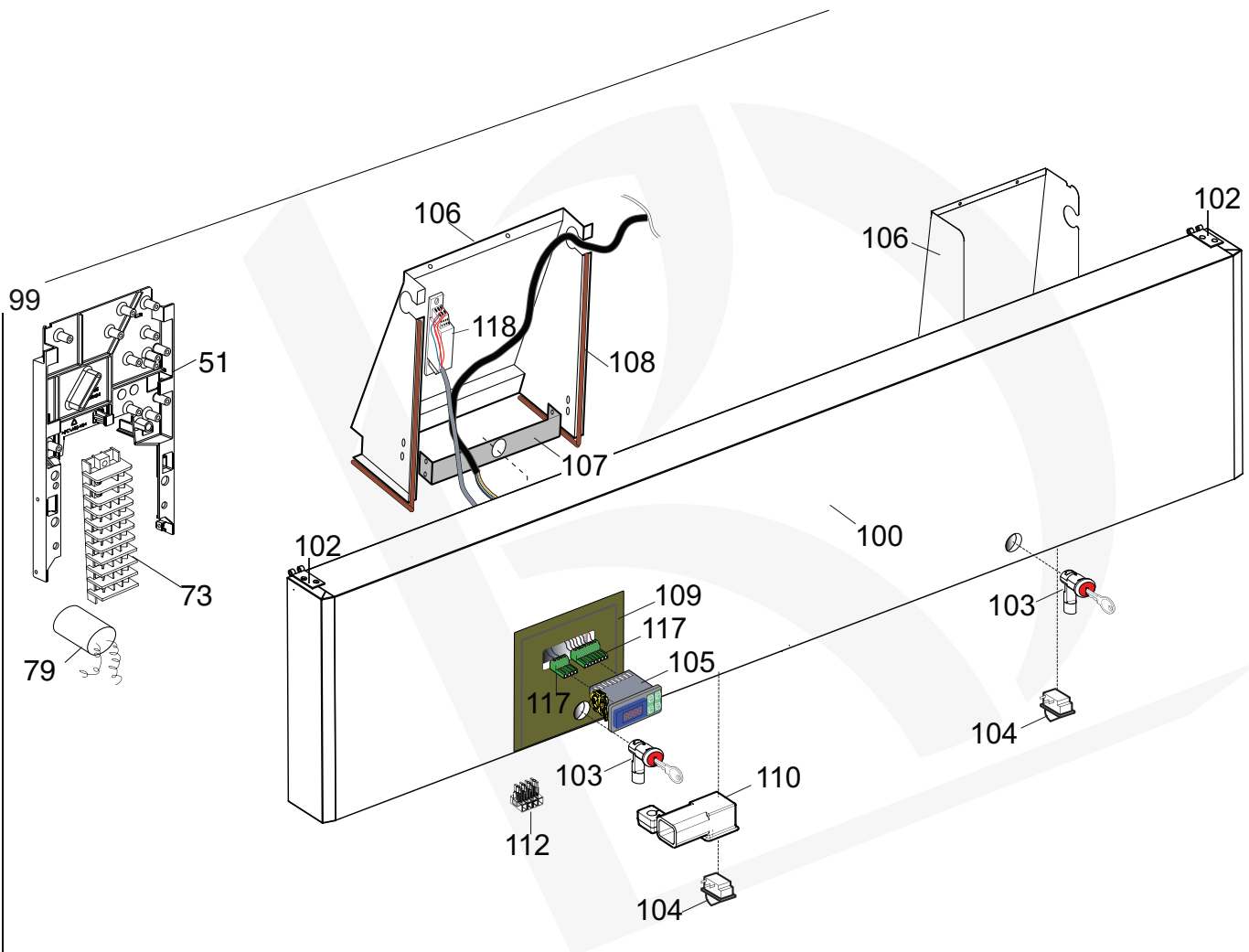


# CONTROL PANEL

FOR FULL DOOR UP TO WK 37/2021, ALWAYS FOR GLASS DOOR



# CONTROL PANEL FOR FULL DOOR FROM WK 38/2021



Pos	Fact .Code	SPC	Descrizione	Description	Ref, - Note
1	541R05001	093243	Piedino	Foot	Not for w
1a	518R02600	093244	Piedino anteriore porta vetro	Back foot glass door	a,g,h,r,s,t
2	217555204	093245	Vite per plastica per piedino	Screw ( use by fix foot)	
3	518708601	093246	Vite M8x20 per fiss. staffa sup/inf	Screw M8X20 ( use by fix bracket)	
4	502R17500	093394	Staffa supporto fianchi	Side support	Not for w
5	875R37501		Assieme carter interno	Internal protection assembly	
6	501R38201	093249	Cremagliera anteriore/posteriore	Front/back Rack	
7	501R47900	093250	Guida Sx	Left support	
8	501R48100	093251	Guida Dx	Right support	
9	514R10600	093252	Griglia 2/1 rilsan	Grid 2/1rilsan	
9	514R10700	093360	Griglia 2/1 aisi 304	Grid 2/1aisi 304	
9a	514R11700	093397	Griglia centrale	Central grid	w
10	514R12200	093253	Griglia di fondo rilsan	Bottom grid rilsan	
10	514R12100	093296	Griglia di fondo aisi 304	Bottom grid aisi 304	
10a	0545733700	085535	Tappo per piletta	Discharge pipe water plug	
10b	0546R37700	094847	Piletta di scarico condensa	Discharge pipe water condenser	
10c	0544701400	081797	Controdado	Locknut	
11	501R62100	093490	Supporto centrale cremagliere	Rack support	
12	832R09202	093545	Cornice orizzontale	Horizontal frame	Not for w
12a	832R09101	093255	Cornice verticale	Vertical frame	Not for w
12b	832R09401	093399	Cornice verticale montante	Vertical frame central support	Not for w
13a	617R07001	093419	Cavo riscaldante cornice 6.39 W	Heating cable frame 6.39 W	l,m,n,v,z
14	835R27007	093289	Porta con guarnizione, cerniera	Gasket, hinge, and door	u
14	835R27108	093290	Porta con guarnizione, cerni.A430	Gasket, hinge, and door A430	b,j,o,p,q,v,z
15	835R27407	093291	Porta 304	Door (left) for template A304	u
15	835R27507	096028	Porta 430	Door (left) for template A430	b,j,o,p,q,v,z
16	548R06802	093257	Guarnizione porta vetro	Gasket glass door	
16	548R08000	094152	Guarnizione porta cieca	Gasket full door	
17	835704001	082219	Cerniera porta	Hinge door	
18	544700601	081654	Boccola per porta	Door bush	
19	833R21600	093341	Staffa inferiore porta	Lower stirrup door	
20	505723801	082257	Staffa superiore porta	Upper stirrup door	
21	541R05301	093271	Tappo per cerniere	Hole hinge plug	
24	880R64200	093343	Traversa per 1/2 porte a430	Support half door a430	
25	832R10000	093272	Cornice per traversa	Support half door frame	
26	501R51800	093275	Cremagliera ant. 1/2 porte sup.	Upper rack 1/2 doors a304	
27	501R51600	093276	Cremagliera ant. 1/2 porte 304 inf.	Lower rack 1/2 doors a304	
28	835R25410	093585	Ass.1/2 porta superiore	Upper half door a304	
29	835R25509	093519	Ass.1/2 porta inferiore	Lower half door a304	
30	548R08100	094153	Guarnizione magnetica 1/2 porte	Half door gasket	
31	546R21100	093392	Boccola per cerniera 1/2 porte	Half door bush	
32	833R21900	093301	Ass. cerniera inferiore	Lower hinge assembly	
33	505R12400	093344	Cerniera centrale	Central hinge door	
34	833R20900	093345	Serratura	Serratura	
35	880R57000	093302	Ass. porta vetro completa	Glass door assembled	
36	879R15600	093274	Porta vetro tn	Glass door TN	
37	546R22400	093535	Tappo sup. dx pv	Upper right plug door GL	

## BT - Gab Mass

Pos	Fact .Code	SPC	Descrizione	Description	Ref. - Note
38	546R22300	093536	Tappo sup. sx pv	Upper left plug door GL	
39	546R22500	093537	appo inf. dx pv	Lower right plug door GL	
40	546R22200	093538	Tappo inf. sx pv	Lower left plug door GL	
41	505R12700	093349	Staffa superiore pv	Upper hinge GL	
42	833R21900	093301	Ass. staffa inf.( reversibile) pv	Lower bracket (reversible)	
43	835R28100	093320	Ass cerniera sup pv	Upper hinge GL	
44	546R23100		Boccola per cerniera PV	Hinge bush GL	
45	835R26801	094484	Ass. lampada completo	Light support assembly	a,g,h,r,s,t
46	661R01000	093350	Lampada 28W	Neon 28W	
47	546R22600	093258	Frontale lampada	Protection light	
48	501R49500	093351	Tappo chiusura luce	Plug of clousure	
49	546R23200	093352	Ferma cavo	Wiring stopper	
50	501R50200	093321	Fermo lampada	Stopper light	
51	502R24300		Supporto impianto elettrico	Electrical wiring support	Glass door always
51	502R24300		Supporto impianto elettrico	Electrical wiring support	Full door up to 2021/37
51	546R43401	097284	Supporto impianto elettrico	Electrical wiring support	Full door from 2021/38
52	684R05900	093426	Compressore (EMT6152U) 220/50 hz	Compressor (EMT6152U) 220/50 hz	
52a	*	*	Relè avviamento	Start relay	
52b	*	*	Protettore	Protector	
52c	*	*	Condensatore di avviamento	Start capacitor	
53	518708401	087122	Fissaggio compressore	Rubber compressor	
54	830R06600	093431	Condensatore 5R D4, 76	Condenser	
54b	501R36701		Copertura condensatore	Condenser cover	
55	511708800	089697	Ventola 230-31 elco	Fan 230-31 elco	
56	546709500	089755	Protezione ventola	Fan protection	
57	515R12700	093259	Serpentina evap. acqua di conden.	Evaporation water pipe	
58	543R09300	093260	Fissaggio serpentina	Stopper pipe	
59	682R14200	096995	Ventilatore condensatore ELCO VNT11-20	Condenser ventiaitor ELCO VNT11-20	
60	858R06400	093507	Scambiatore 2m TN	Heat exchanger	l,m,n,v,z
60	858R06700		Scambiatore 2m TN R290	Heat exchanger R290	a,b,g,h,j,o,p,q,r,s,t,u,w
61	858R00100	099949	Filtro 15 gr	Dehidrator filter	
62	A02021800	0A8171	Valvola per compressore	Compressor valve (charge or disch.)	
63	830R04001	093335	Evaporatore 3R 8T	Evaporator 3R 8T	
63	830R10600	094576	Evaporatore 3R 8T	Evaporator 3R 8T	b,j,l,m,n,o,p-q,u,v,w,z
63	830R04102	093430	Evaporatore 4R 8T	Evaporator 4R 8T	a,g,h,r,s,t
64	546R19201	093469	Vaschetta evaporatore	Evaporator tray	
65	682R14200	096995	Ventilatore evaporatore ELCO VNT11-20	Evaporator ventiaitor ELCO VNT11-20	
65	0682R12700	096482	Ventilatore condensatore EBM NIQ3212	Condenser ventiaitor EBM NIQ3212	a,g,h,r,s,t
65a	511R01000	093365	Ventola 230-34 ebm	Fan 230-34 ebm	a,g,h,r,s,t
66	546709500	089755	Griglia ventilatore	Motor fan support	
67	646R06800	092174	Sonda cella	Cavity probe	
68	617R06002	093427	Resistenza con termost. 2-3R	Heating element with thermostat	l,m,n,v,z
69	514R11600	093487	Molla per fissaggio termostati	Thermostat spring	l,m,n,v,z
70	514R11102	093508	Molla per fissaggio resistenza	Heating element spring	l,m,n,v,z

Pos	Fact .Code	SPC	Descrizione	Description	Ref. - Note
70a	501R40700	093509	Deviatore aria	Air conveyor	
72	501R44103	094429	Convogliatore evap. pala 230	Evaporator convoyer	b,j,l,m,n,o,p,q, u,v,w,z,
72	502R57901	094428	Convogliatore evap. pala 230	Evaporator convoyer	a,g,h,r,s,t
73	639R09900	093528	Morsettiera	Clamp	Up to 2022/41
<b>73</b>	<b>855R0AA00</b>		<b>Morsettiera</b>	<b>Clamp</b>	<b>Full door - b,j, l,m,n,o,p,q,u, v,w,z From 2022/42</b>
<b>73</b>	<b>855R0AC00</b>		<b>Morsettiera</b>	<b>Clamp</b>	<b>Glass door - a, g,h,r,s,t From 2022/42</b>
74	835R47601	095201*	Assieme Calotta	Evaporator cover	
*	0881R32401	095200	Modulo Calotta TN	Evaporator cover Module TN	
75	14701R003	093262	Neoprene espa. 8x13,3 nero (M4)	Gasket cover ( neoprene 8x13,3)	
76	217555204	093245	Vite senza punta x plastica 7 -20	Cover screw	
77	546R19702	093263	Tamponcino per tubi	Pipe cover insulation	
78	546R26501	094425	Copertura scatola impianto elettrico	Wiring box cover	Full door up to 2021/37
78	546R26501	094425	Copertura scatola impianto elettrico	Wiring box cover	Glass door always
78a	546R26701	093976	Scatola impianto elettrico	Wiring box	Full door up to 2021/37
78a	546R26701	093976	Scatola impianto elettrico	Wiring box	Glass door always
79	694R00502	096636	Filtro antisturbo	Electrical filter	
88	635R32300	095750	Cavo di alimentazione SCHUKO	SCHUKO supply cable	Not for UK products
89	0501r49702	094617	Rivestimento anteriore superiore AISI 304	Upper front covering AISI 304	Not for w
90	546R26800	094451	Basamento gruppo	Basement	
99	880R51202	*	Cruscotto con termoregolat. A304	Panel with termoregulator A304	l,m,n,u Up to 2021/37
99	880R52802	*	Cruscotto con termoregolat. A430	Panel with termoregulator A430	o,p,q,v,z Up to 2021/37
99	880R60901	*	Cruscotto con termor. PV A304	Panel with termoregulator A304 GL	a,g,h
99	880R61001	*	Cruscotto con termor. PV A430	Panel with termoregulator A430 GL	r,s,t
<b>99</b>	<b>883R79000</b>		<b>Cruscotto con termor. A304 TN/BT remoto</b>	<b>Panel with termoregulator A304 TN/BT remote</b>	<b>l,m,n,u From 2021/38</b>
<b>99</b>	<b>883R79700</b>		<b>Cruscotto con termor. TN A430</b>	<b>Panel with termoregulator A430 TN</b>	<b>o,p,q,v,z From 2021/38</b>
<b>99</b>	<b>883R81400</b>		<b>Cruscotto con termor. A304 TN UK</b>	<b>Panel with termoregulator A304 TN UK</b>	<b>w from 2021/38</b>
99	883R73800		Cruscotto con termor. TN A430 UK	Panel with termoregulator A430 TN UK	b
<b>99</b>	<b>883R79300</b>		<b>Cruscotto con termor. TN A430 UK</b>	<b>Panel with termoregulator A430 TN UK</b>	<b>j</b>
100	509R13004	095827	Cruscotto A304	Panel 304 AISI	a,g,h,l,m,n,u Up to 2021/37
100	509R13104	094436	Cruscotto A430	Panel 430 AISI	o,p,q,r,s,t,vz Up to 2021/37
100	509R25201		Cruscotto A304	Panel 304 AISI	a,g,h,l,m,n,u,w From 2021/38
100	509R25301		Cruscotto A430	Panel 430 AISI	b,j,o,p,q,r,s,t,vz From 2021/38
102	506784500	099853	Cerniera per cruscotto	Hinge for panel	
103	833R20900	093345	Serratura	Latch	
104	640712100	087485	Micro porta	Door switch	

## BT - Gab Mass

Pos	Fact .Code	SPC	Descrizione	Description	Ref. - Note
105	646R10803	093328	Termoregolatore ir33 gab/mass	Thermoregulator Gab/Mass	b,l,m,n,o,p,q, u,v,z To be set Up to 2022/41 Order KIT 097586 See TB VTX2022_08
105	646R11000	093329	Termoregolatore ir33 gab/mass PV	Thermoregulator Gab/Mass GL	a,g,h,r,s,t To be set Up to 2022/41 Order KIT 097586 See TB VTX2022_08
105	855R18400	097579	Termoregolatore Carel IJF	Thermoregulator Carel IJF	From 2022/42
106	504R35000	097245	Protezione	Protection led-lamp	Glass door From 2021/44 Up to 2022/41
106	546R26601	093975	Protezione	Protection led-lamp	Full door Up to 2022/41
106	504R39300	097576	Protezione	Protection	From 2022/42
107	501R37502	093354	Staffa fiss. protez.trmoregolatore	Bracket support	Glass door always
107	501R37502	093354	Staffa fiss. protez.trmoregolatore	Bracket support	Full door up to 2021/37
108	140088006	0L0113	Guarnizione	Guarnizione	
109	755R03901	093268	Membrana adesiva	Stiker	Up to 7381
109	755R03902	093268	Membrana adesiva	Stiker	w
109	598R81500	095022	Membrana Zanussi	Zanussi membrane	For Zanussi products Up to 2021/37
109	598R81601	095023	Membrana Elux Prof	Elux Prof membrane	From 7391 for Elux Prof and To Brand products Up to 2021/37
109	598R81701	095024	Membrana neutra	Neutral membrane	For Alpen products
109	598R98301	096577	Membrana Elux Prof	Elux Prof membrane	For Elux Prof products from 2021/38
109	598R98601	097058	Membrana Zanussi	Zanussi membrane	For Zanussi products from 2021/38
110	546R12100	092353	Protezione micro	Door switch protection	
112	639R10400	093321	Morsetto	Clamp	
117	639R06800	*	Connettore dritto 3 vie	Connector 3 ways right	
117	639R06900	*	Connettore dritto 7 vie	Connector 7 ways right	
117	*	099740	Connettore 90° 7 vie	Connector 7 ways 90°	
117	*	099741	Connettore 90° 5 vie	Connector 5 ways 90°	
117	*	088998	Connettore 90° 3 vie	Connector 3 ways 90°	
117	*	099743	Connettore 90° 3 vie piccolo	Connector 3 ways 90° small	
117	*	099742	Connettore 90° 2 vie	Connector 2 ways 90°	
117	*	091682	Connettore 90° 4 vie	Connector 4 ways 90°	
117	*	091684	Connettore 90° 5 vie	Connector 5 ways 90°	
117	639R04V00	097578	Connettore femmina 3 vie	Connector 3 ways female	From 2022/42
118	624R01400	093270	Alimentatore PV	Light power GL	a,g,h,r,s,t

**Finanzen / Service**

**28307 Bremen**  
Thalendorststraße 15  
Tel.+49 421 48557-0  
Fax+49 421 488650  
bremen@nordcap.de

**Vertrieb Ost**

**12681 Berlin**  
Wolfener Straße 32/34, Haus K  
Tel.+49 30 936684-0  
Fax+49 30 936684-44  
berlin@nordcap.de

**Vertrieb West**

**40699 Erkrath**  
Max-Planck-Straße 30  
Tel.+49 211 540054-0  
Fax+49 211 540054-54  
erkrath@nordcap.de

**Vertrieb Nord**

**21079 Hamburg**  
Großmoorbogen 5  
Tel.+49 40 766183-0  
Fax+49 40 770799  
hamburg@nordcap.de

**Vertrieb Süd**

**55218 Ingelheim**  
Hermann-Bopp-Straße 4  
Tel.+49 6132 7101-0  
Fax+49 6132 7101-20  
ingelheim@nordcap.de



[www.nordcap.de](http://www.nordcap.de)