

# Ersatzteilliste-Explosionszeichnung

## Elektro-Bratplatte **EBP9 / 2H-GL-GE-V-T**

[Art. 406392073]



## FRYTOP ELETTRICO E900XP ELECTRIC FRYTOP E900XP

| PNC    | Model      | Ref | Brand | Version | Notes                                 |
|--------|------------|-----|-------|---------|---------------------------------------|
| 190022 | E9FTEHSR00 | t1  | ELX   | EL      | RIBBED SLOPED 800MM                   |
| 190044 | E9FTEDHS06 | u1  | ELX   | EL      | SMOOTH HORIZONTAL PLATE 400 MM – 440V |
| 391067 | E9FTEDHS00 | a   | ELX   | EL      | SMOOTH HORIZONTAL PLATE 400 MM – 400V |
| 391068 | E9FTEDSR00 | b   | ELX   | EL      | RIBBED SLOPED PLATE 400 MM            |
| 391069 | E9FTEHHS00 | c   | ELX   | EL      | SMOOTH HORIZONTAL PLATE 800 MM        |
| 391070 | E9FTEHSP00 | d   | ELX   | EL      | SMOOTH+RIBBED SLOPED 800MM            |
| 391071 | E9FTEHSPE0 | e   | ELX   | EL      | SMOOTH+RIBB.SLOPED+OVEN 800MM         |
| 391072 | E9FTEDCS00 | f   | ELX   | EL      | CHR.SMOOTH SLOPED PLATE 400 MM        |
| 391073 | E9FTEHCS00 | g   | ELX   | EL      | CHR.SMOOTH SLOPED PLATE 800 MM        |
| 391074 | E9FTEHCP00 | h   | ELX   | EL      | CHR.SMOOTH+RIBBED SLOPED 800          |
| 391171 | E9FTEDHS0N | i   | ELX   | EL      | SMOOTH HORIZ.PLATE 400MM-230V         |
| 391172 | E9FTEDSR0N | j   | ELX   | EL      | RIBBED SLOPED PLATE 400MM-230V        |
| 391173 | E9FTEHHS0N | k   | ELX   | EL      | SMOOTH HORIZ.PLATE 800MM-230V         |
| 391174 | E9FTEHSP0N | l   | ELX   | EL      | SMOOTH+RIBB.SLOPED 800 MM-230V        |
| 391175 | E9FTEDCS0N | m   | ELX   | EL      | CHR.SMOOTH SLOPED 400 MM-230V         |
| 391176 | E9FTEHCS0N | n   | ELX   | EL      | CHR.SMOOTH SLOPED 800 MM-230V         |
| 391177 | E9FTEHCP0N | o   | ELX   | EL      | CHR.SMOOTH+RIB.SLOP.800MM-230V        |
| 391349 | E9FTEHSR00 | v1  | ELX   | EL      | FRYTOP FULL RIBBED SLOPED 800 M       |
| 392067 | Z9FTEDHS00 | p   | ZAN   | EL      | SMOOTH HORIZONTAL PLATE 400 MM        |
| 392068 | Z9FTEDSR00 | q   | ZAN   | EL      | RIBBED SLOPED PLATE 400 MM            |
| 392069 | Z9FTEHHS00 | r   | ZAN   | EL      | SMOOTH HORIZONTAL PLATE 800 MM        |
| 392070 | Z9FTEHSP00 | s   | ZAN   | EL      | SMOOTH+RIBBED SLOPED 800MM            |
| 392071 | Z9FTEHSPE0 | t   | ZAN   | EL      | SMOOTH+RIBB.SLOPED+OVEN 800MM         |
| 392072 | Z9FTEDCS00 | u   | ZAN   | EL      | CHR.SMOOTH SLOPED PLATE 400 MM        |
| 392073 | Z9FTEHCS00 | v   | ZAN   | EL      | CHR.SMOOTH SLOPED PLATE 800 MM        |
| 392074 | Z9FTEHCP00 | w   | ZAN   | EL      | CHR.SMOOTH+RIBBED SLOPED 800          |
| 392171 | Z9FTEDHS0N | x   | ZAN   | EL      | SMOOTH HORIZ.PLATE 400MM-230V         |
| 392172 | Z9FTEDSR0N | y   | ZAN   | EL      | RIBBED SLOPED PLATE 400MM-230V        |
| 392173 | Z9FTEHHS0N | z   | ZAN   | EL      | SMOOTH HORIZ.PLATE 800MM-230V         |
| 392174 | Z9FTEHSP0N | a1  | ZAN   | EL      | SMOOTH+RIBB.SLOPED 800 MM-230V        |
| 392175 | Z9FTEDCS0N | b1  | ZAN   | EL      | CHR.SMOOTH SLOPED 400 MM-230V         |
| 392176 | Z9FTEHCS0N | c1  | ZAN   | EL      | CHR.SMOOTH SLOPED 800 MM-230V         |
| 392177 | Z9FTEHCP0N | d1  | ZAN   | EL      | CHR.SMOOTH+RIB.SLOP.800MM-230V        |
| 393067 | A9FTEDHS00 | e1  | OEM   | EL      | SMOOTH HORIZONTAL PLATE 400 MM        |
| 393068 | A9FTEDSR00 | f1  | OEM   | EL      | RIBBED SLOPED PLATE 400 MM            |
| 393069 | A9FTEHHS00 | g1  | OEM   | EL      | SMOOTH HORIZONTAL PLATE 800 MM        |

**Index**

General components / Componenti struttura  
Spare parts list / Lista ricambi

**Page**

3-4  
5-7

**Bold=last change / Grassetto =ultima modifica**

Rev. 6

|                                    |                                |         |                         |
|------------------------------------|--------------------------------|---------|-------------------------|
| From Ser. Nr.016<br>Up to Ser. Nr. | Ed. 2011-04<br>Updated 2019-11 | Page: 1 | <b>Doc No:59785FY00</b> |
|------------------------------------|--------------------------------|---------|-------------------------|

## FRYTOP ELETTRICO E900XP ELECTRIC FRYTOP E900XP

| PNC    | Model      | Ref | Brand | Version | Notes                          |
|--------|------------|-----|-------|---------|--------------------------------|
| 393070 | A9FTEHSP00 | h1  | OEM   | EL      | SMOOTH+RIBBED SLOPED 800MM     |
| 393071 | A9FTEHSPE0 | i1  | OEM   | EL      | SMOOTH+RIBB.SLOPED+OVEN 800MM  |
| 393072 | A9FTEDCS00 | j1  | OEM   | EL      | CHR.SMOOTH SLOPED PLATE 400 MM |
| 393073 | A9FTEHCS00 | k1  | OEM   | EL      | CHR.SMOOTH SLOPED PLATE 800 MM |
| 393074 | A9FTEHCP00 | l1  | OEM   | EL      | CHR.SMOOTH+RIBBED SLOPED 800   |
| 393171 | A9FTEDHS0N | m1  | OEM   | EL      | SMOOTH HORIZ.PLATE 400MM-230V  |
| 393172 | A9FTEDSR0N | n1  | OEM   | EL      | RIBBED SLOPED PLATE 400MM-230V |
| 393173 | A9FTEHHS0N | o1  | OEM   | EL      | SMOOTH HORIZ.PLATE 800MM-230V  |
| 393174 | A9FTEHSP0N | p1  | OEM   | EL      | SMOOTH+RIBB.SLOPED 800 MM-230V |
| 393175 | A9FTEDCS0N | q1  | OEM   | EL      | CHR.SMOOTH SLOPED 400 MM-230V  |
| 393176 | A9FTEHCS0N | r1  | OEM   | EL      | CHR.SMOOTH SLOPED 800 MM-230V  |
| 393177 | A9FTEHCP0N | s1  | OEM   | EL      | CHR.SMOOTH+RIB.SLOP.800MM-230V |

**Index**

General components / Componenti struttura  
 Spare parts list / Lista ricambi

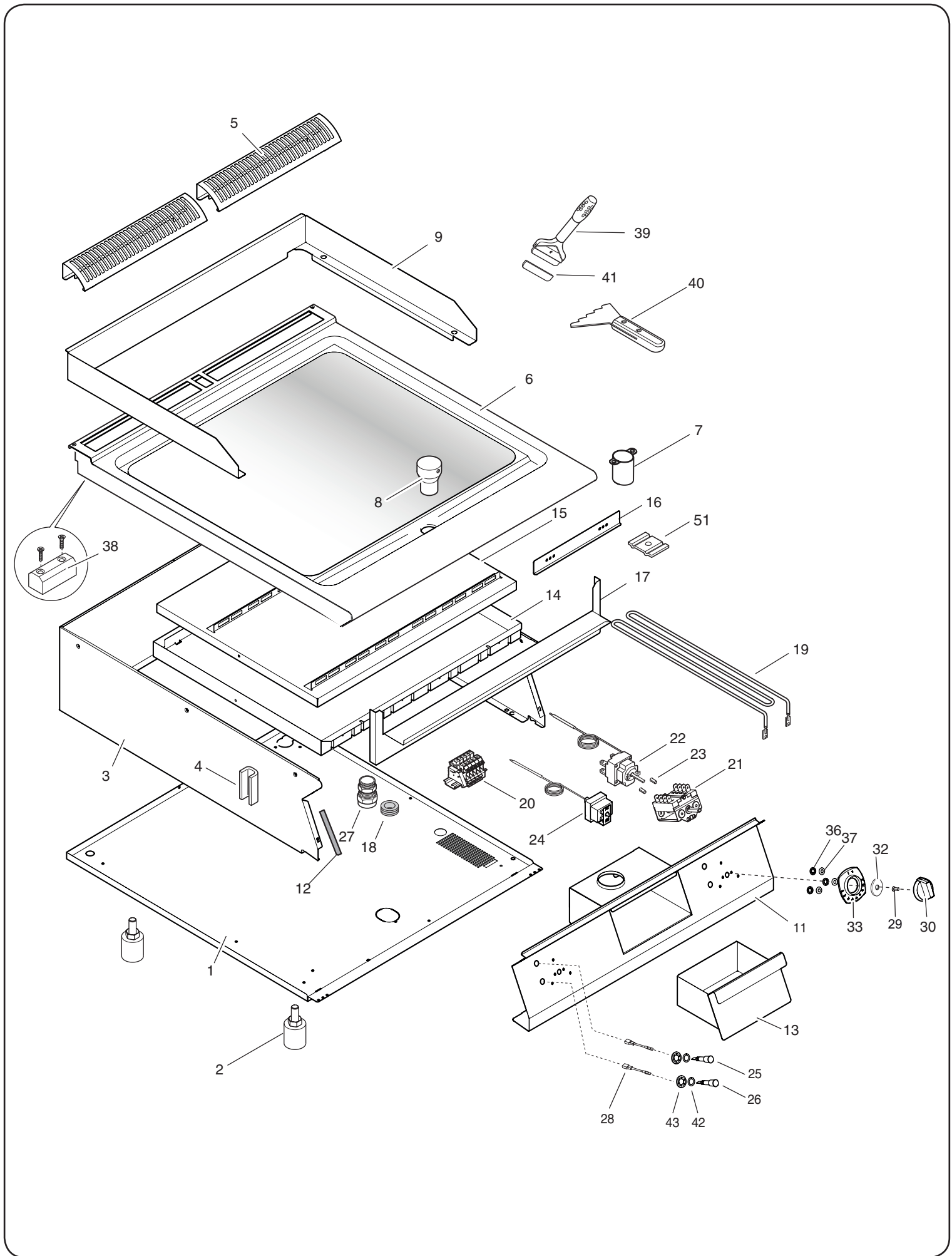
**Page**

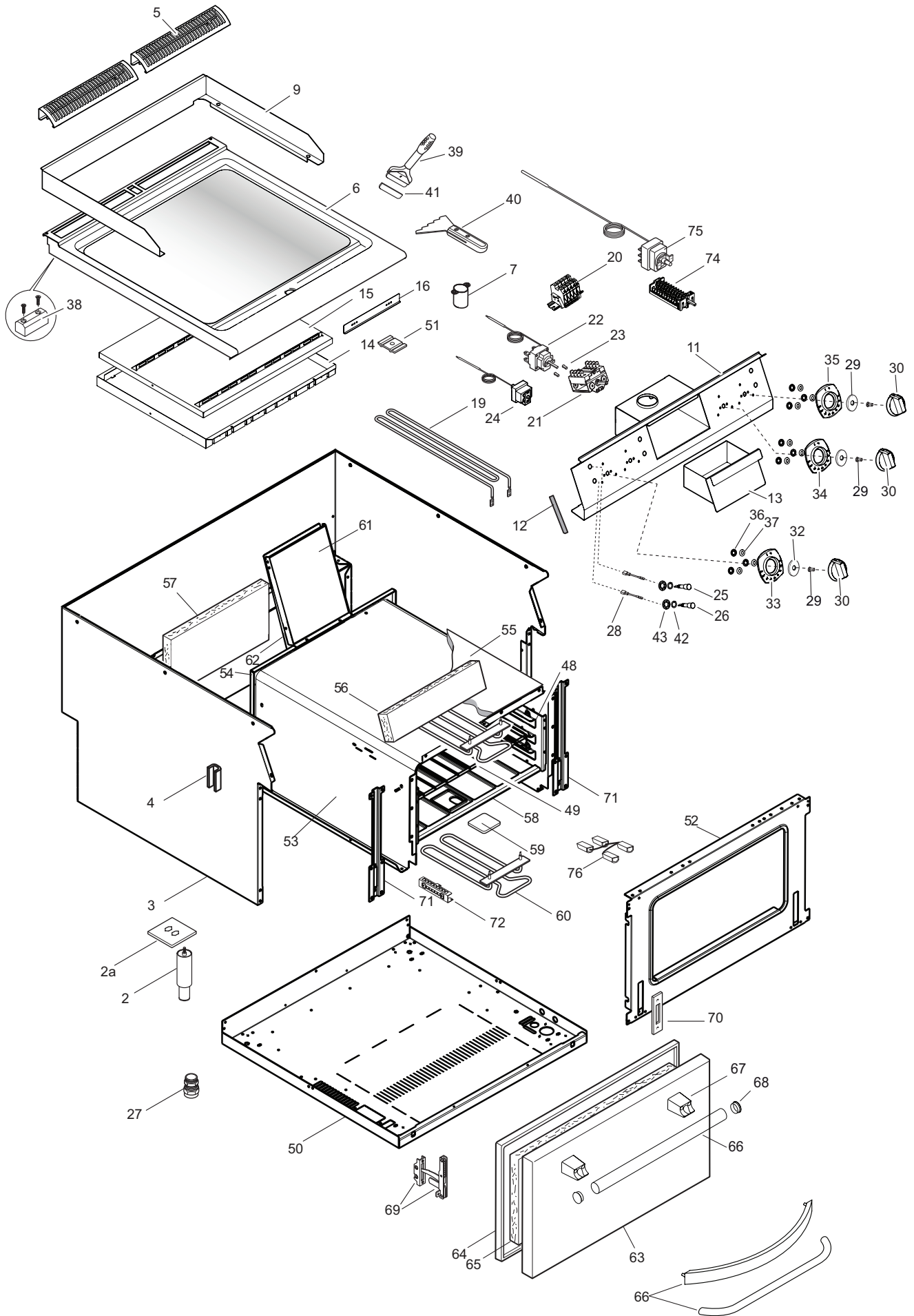
3-4  
 5-7

**Bold=last change / Grassetto =ultima modifica**

Rev. 6

|                                    |                                |         |                         |
|------------------------------------|--------------------------------|---------|-------------------------|
| From Ser. Nr.016<br>Up to Ser. Nr. | Ed. 2011-04<br>Updated 2019-11 | Page: 2 | <b>Doc No:59785FY00</b> |
|------------------------------------|--------------------------------|---------|-------------------------|





FRYTOP ELETTRICO E900XP  
ELECTRIC FRYTOP E900XP

| Pos | Factory Code | Spare Code | Descrizione                          | Description                      | Ref./Notes              |
|-----|--------------|------------|--------------------------------------|----------------------------------|-------------------------|
|     |              |            | <b>PAGINE 3-4</b>                    | <b>PAGES 3-4</b>                 |                         |
| 1   | 0530813305   | *          | FONDO 400mm                          | BOTTOM PANEL 400                 | TOP                     |
| 1   | 0530813406   | *          | FONDO 800mm                          | BOTTOM PANEL 800                 | TOP                     |
| 2   | 0315252601   | 026806     | PIEDINO                              | FOOT                             | TOP                     |
| 2   | 0835856901   | 0C0204     | PIEDINO                              | FOOT                             | WITH OVEN               |
| 2a  | 050589CD00   | 0TTG45     | PIASTRA DI RINFORZO PER PIEDE        | PLATE FOR FOOT                   | WITH OVEN               |
| 3   | 085089DR02   | 0CA013     | RIVESTIMENTO TOP 400                 | EXTERNAL PANEL 400               | ELX                     |
| 3   | 085089DU02   | *          | RIVESTIMENTO TOP 400                 | EXTERNAL PANEL 400               | ZAN, OEM                |
| 3   | 085089DS02   | 0C9625     | RIVESTIMENTO TOP 800                 | EXTERNAL PANEL 800               | TOP - ELX               |
| 3   | 085089DV02   | 0C9937     | RIVESTIMENTO TOP 800                 | EXTERNAL PANEL 800               | TOP - ZAN, OEM          |
| 3   | 085089DZ02   | 0C9010     | RIVESTIMENTO MONOBLOCCO 800          | EXTERNAL PANEL FREESTANDING 800  | ELX                     |
| 3   | 085089F402   | 0C8984     | RIVESTIMENTO MONOBLOCCO 800          | EXTERNAL PANEL FREESTANDING 800  | ZAN, OEM                |
| 4   | 0527850500   | 0C0156     | SQUADRA FISS.FIANCHI N900            | SIDE PANEL JOINTING PLATE        |                         |
| 5   | 050389LP00   | 0C7333     | GRIGLIA CAMINO                       | CHIMNEY GRID                     |                         |
| 6   | 0875899G00   | 0C7469     | PIASTRA-RIP. ORIZZ.400 FE LISCIA     | SHELF, SMOOTH FLAT PLATE 400     | ELX                     |
| 6   | 0875899T00   | 0C7476     | PIASTRA-RIP. ORIZZ.800 FE LISCIA     | SHELF, SMOOTH FLAT PLATE 800     | ELX                     |
| 6   | 0875899P00   | 0C7473     | PIASTRA-RIP. INCL. 400 FE RIGATA     | SHELF, RIBBED PLATE 400          | ELX                     |
| 6   | 0875899M00   | 0C7471     | PIASTRA-RIP.INCL.800 FE1/3RIGATA     | SHELF, 1/3 RIBBED PLATE 800      | ELX                     |
| 6   | 0875899R01   | 0C7474     | PIASTRA-RIP.INCL.400 CR LISCIA       | SHELF, CHROME SM. PLATE 400      | ELX                     |
| 6   | 0875899V01   | 0C7478     | PIASTRA-RIP.INCL.800 CR LISCIA       | SHELF, CHROME SM. PLATE 800      | ELX                     |
| 6   | 0875899X01   | 0C7480     | PIASTRA-RIP.INCL.800 CR1/3RIGATA     | SHELF, CHROME 1/3 RIB. PLATE 800 | ELX                     |
| 6   | 087589F800   | 0CA655     | PIASTRA-RIP.INCL.800 FE TUTTA RIGATA | SHELF, RIBBED PLATE 800          | ELX                     |
| 6   | 087089FF01   | 0C7450     | PIASTRA-RIP. ORIZZ.400 FE LISCIA     | SHELF, SMOOTH FLAT PLATE 400     | ZAN, OEM                |
| 6   | 087089FH01   | 0C7452     | PIASTRA-RIP. ORIZZ.800 FE LISCIA     | SHELF, SMOOTH FLAT PLATE 800     | ZAN, OEM                |
| 6   | 087089FZ01   | 0C7456     | PIASTRA-RIP. INCL. 400 FE RIGATA     | SHELF, RIBBED PLATE 400          | ZAN, OEM                |
| 6   | 087089G001   | 0C7457     | PIASTRA-RIP.INCL.800 FE1/3RIGATA     | SHELF, 1/3 RIBBED PLATE 800      | ZAN, OEM                |
| 6   | 087089G102   | 0C7458     | PIASTRA-RIP.INCL.400 CR LISCIA       | SHELF, CHROME SM. PLATE 400      | ZAN, OEM                |
| 6   | 087089FY02   | 0C7455     | PIASTRA-RIP.INCL.800 CR LISCIA       | SHELF, CHROME SM. PLATE 800      | ZAN, OEM                |
| 6   | 087089G202   | 0C7459     | PIASTRA-RIP.INCL.800 CR1/3RIGATA     | SHELF, CHROME 1/3 RIB. PLATE 800 | ZAN, OEM                |
| 7   | 0806875201   | 0C6254     | TUBO SCARICO GRASSI                  | DRAIN PIPE                       |                         |
| 8   | 0511833100   | 0C6384     | TAPPO                                | STOPPER                          | TOP - SMOOTH FLAT PLATE |
| 9   | 0530899901   | 0C6386     | PARASPRUZZI 400 mm                   | SPLASHBACK 400 mm                |                         |
| 9   | 0530899801   | 0C6385     | PARASPRUZZI 800 mm                   | SPLASHBACK 800 mm                |                         |
| 11  | 085589AC03   | 0C7434     | CRUSCOTTO 400 mm                     | CONTROL PANEL 400                | ELX                     |
| 11  | 085589AB03   | 0C7433     | CRUSCOTTO 800 mm                     | CONTROL PANEL 800                | ELX                     |
| 11  | 085589AD04   | 0C7435     | CRUSCOTTO 800 mm + FORNO             | CONTROL PANEL 800 + OVEN         | OVEN, ELX               |
| 11  | 087089FG02   | 0C7451     | CRUSCOTTO 400 mm                     | CONTROL PANEL 400                | ZAN                     |
| 11  | 087089FJ03   | 0C7453     | CRUSCOTTO 800 mm                     | CONTROL PANEL 800                | ZAN                     |
| 11  | 087089HQ04   | 0C7467     | CRUSCOTTO 800 mm + FORNO             | CONTROL PANEL 800 + OVEN         | OVEN, ZAN               |
| 11  | 087089HM04   | 0C7464     | CRUSCOTTO 400 mm                     | CONTROL PANEL 400                | OEM                     |
| 11  | 087089HN04   | 0C7465     | CRUSCOTTO 800 mm                     | CONTROL PANEL 800                | OEM                     |
| 11  | 087089HP02   | 0C7466     | CRUSCOTTO 800 mm + FORNO             | CONTROL PANEL 800 + OVEN         | OVEN, OEM               |
| 12  | 0543821900   | 0C2496     | GUARNIZIONE CRUSCOTTO                | GASKET FOR CONTROL PANEL         |                         |
| 13  | 085089CV01   | 0C7205     | CASSETTO 400 mm                      | DRAWER, FRYTOP 400               |                         |
| 13  | 085089CX01   | 0C7303     | CASSETTO 800 mm                      | DRAWER, FRYTOP 800               |                         |
| 14  | 0528886701   | 0TTZW1     | SCATOLA RESISTENZE 400 mm            | BOX FOR HEATING ELEM.400         | 400 mm                  |
| 14  | 0528887101   | 0CB649     | SCATOLA RESISTENZE 800 mm            | BOX FOR HEATING ELEM.800         | 800 mm                  |
| 15  | 0528886801   | 0TTZW2     | CONTROSCATOLA RESISTENZE 400         | BOX FOR HEATING ELEM.400         | 400 mm                  |
| 15  | 0528887201   | 0TTZLE     | CONTROSCATOLA RESISTENZE 800         | BOX FOR HEATING ELEM.800         | 800 mm                  |



FRYTOP ELETTRICO E900XP  
ELECTRIC FRYTOP E900XP

| Pos       | Factory Code      | Spare Code    | Descrizione   | Description                      | Ref./Notes            |
|-----------|-------------------|---------------|---|----------------------------------|-----------------------|
| 16        | 0528886900        | OTTZW3        | FERMO RESISTENZE                                    | BRACKET, HEATING ELEM.           |                       |
| 17        | 0529804701        | *             | PARETE INTERMEDIA 400 mm                            | INTERMEDIATE WALL 400            | 400 mm                |
| 17        | 0529804101        | 0CB650        | PARETE INTERMEDIA 800 mm                            | INTERMEDIATE WALL 800            | 800 mm TOP            |
| 18        | 0246520500        | 050180        | PASSACAPO - DIA.23                                  | GROMMET DIA.23                   | TOP                   |
| 19        | 0617823500        | 006681        | RESISTENZA 2500W 400V                               | HEATING ELEMENT 2500W 400V       | 400V                  |
| 19        | 0617823600        | 006682        | RESISTENZA 2500W 230V                               | HEATING ELEMENT 2500W 230V       | 230V                  |
| 19        | 061783AA00        | 0CA653        | RESISTENZA 2500W 440V                               | HEATING ELEMENT 2500W 440V       | 440V                  |
| <b>20</b> | <b>0639808700</b> | <b>0F0035</b> | <b>MORSETTIERA</b>                                  | <b>MAIN TERMINAL BLOCK</b>       | <b>TOP</b>            |
| <b>20</b> | <b>0639808600</b> | <b>0F0112</b> | <b>MORSETTIERA</b>                                  | <b>MAIN TERMINAL BLOCK</b>       | <b>WITH OVEN</b>      |
| 21        | 0641803400        | 006649        | COMMUTATORE   | SWITCH                           |                       |
| 22        | 0646805302        | 059235        | TERMOSTATO TRIPOL. 100-285°C                        | THERMOSTAT                       |                       |
| 23        | 0214123600        | 050256        | PERNO COLLEGAMENTO                                  | PIN                              |                       |
| 24        | 0646808102        | 004269        | LIMITATORE DI TEMPERATURA                           | SAFETY THERMOSTAT                |                       |
| 25        | 0876800002        | 005010        | ASSIEME LAMPADINE VERDE TONDA                       | GREEN LAMP                       |                       |
| 26        | 0876800102        | 005011        | ASSIEME LAMPADINE ARANCIO TONDA                     | YELLOW LAMP                      |                       |
| 27        | 0544802300        | 0C0068        | PRESSACAPO PG 21                                    | TOUGHTENER CORD                  | TOP                   |
| 27        | 0544802400        | 0C3528        | PRESSACAPO PG 21                                    | TOUGHTENER CORD                  | WITH OVEN             |
| 28        | 0638865101        | 005370        | RESISTENZA DI CADUTA                                | LEAKAGE RESISTANCE               |                       |
| 29        | 0548877V00        | 0C7345        | ADATTATORE MANOPOLA                                 | KNOB ADAPTER                     | ELX                   |
| 30        | 0511850G01        | 0C6670        | MANOPOLA  | KNOB                             | ELX                   |
| 30        | 0548878201        | 0C7232        | MANOPOLA  | KNOB                             | ZAN                   |
| 30        | 0548865500        | 0A5621        | MANOPOLA  | KNOB                             | OEM                   |
| 32        | 0543821000        | 053816        | GUARNIZIONE PER MANOPOLA                            | GASKET KNOB                      |                       |
| 33        | 0548877P00        | 0C7626        | GHIERA MANOPOLA COMMUTATORE                         | KNOB RING FOR SWITCH             | ELX                   |
| 33        | 0548879Z00        | 0C7430        | GHIERA MANOPOLA COMMUTATORE                         | KNOB RING FOR SWITCH             | ZAN, OEM              |
| <b>34</b> | <b>0548877J00</b> | <b>0C7231</b> | <b>GHIERA MANOPOLA COMMUTATORE</b>                  | <b>KNOB RING FOR SWITCH</b>      | <b>OVEN, ELX</b>      |
| <b>34</b> | <b>0548879U00</b> | <b>0C7247</b> | <b>GHIERA MANOPOLA COMMUTATORE</b>                  | <b>KNOB RING FOR SWITCH</b>      | <b>OVEN, ZAN, OEM</b> |
| <b>35</b> | <b>0548877S01</b> | <b>0C7343</b> | <b>GHIERA MANOPOLA TERMOSTATO</b>                   | <b>KNOB RING FOR THERMOSTAT</b>  | <b>OVEN, ELX</b>      |
| <b>35</b> | <b>0548879D00</b> | <b>0C7242</b> | <b>GHIERA MANOPOLA TERMOSTATO</b>                   | <b>KNOB RING FOR THERMOSTAT</b>  | <b>OVEN, ZAN, OEM</b> |
| 36        | 0218912211        | 069567        | MOLLETTA PER GHIERA                                 | SPRING FOR KNOB RING             |                       |
| 37        | 0541813800        | 0C6171        | RONDELLA IN SILICONE                                | SILICONE WASHER                  |                       |
| 38        | 0516860702        | 0C0137        | N9 PIASTRINA FILETTATA FISSAGGIO POSTERIORE RIPIANO | JOINTING REAR PLATE              |                       |
| 39        | 0805848203        | 055995        | RASCHIETTO PER PIASTRA LISCIA                       | SCRAPER                          |                       |
| 40        | 0830851300        | 056940        | RASCHIETTO PER PIASTRA RIGATA                       | SCRAPER FOR RIBBED PLATE         | RIBBED                |
| 41        | 0506887401        | 056347        | LAMA PER RASCHIETTO                                 | BLADE FOR SCRAPER                |                       |
| <b>42</b> | <b>0543826400</b> | <b>0C2183</b> | <b>OR LAMPADA</b>                                   | <b>OR LAMP</b>                   |                       |
| <b>43</b> | <b>0527815500</b> | <b>0C2184</b> | <b>MOLLETTA FISS. LAMPADA</b>                       | <b>FIXING SPRING FOR LAMP</b>    |                       |
| <b>48</b> | <b>051489AH00</b> | <b>0C7335</b> | <b>GUIDA PER TEGLIE FORNO</b>                       | <b>GRATE LEADING</b>             |                       |
| <b>49</b> | <b>0330260843</b> | <b>025020</b> | <b>GRIGLIA FORNO</b>                                | <b>GRATE OVEN</b>                |                       |
| 50        | 05038A1Y02        | *             | FONDO   | BOTTOM PANEL                     | WITH OVEN             |
| <b>51</b> | <b>0206250401</b> | <b>051383</b> | <b>PIASTRINA FISSAGGIO CAPILLARE</b>                | <b>PLATE, CAPILLARY FIXING</b>   |                       |
| 52        | 0870838210        | 0C0218        | FACCIATA FORNO                                      | FRONT OVEN                       |                       |
| <b>53</b> | <b>0529846409</b> | *             | <b>CELLA FORNO</b>                                  | <b>OVEN CELL</b>                 | WITH OVEN             |
| <b>54</b> | <b>0529835706</b> | *             | <b>SCHIENALE CELLA FORNO</b>                        | <b>REAR SIDE PANEL OVEN CELL</b> | <b>WITH OVEN</b>      |
| 55        | 0560840200        | 0C0255        | ISOLAMENTO INVOLUCRO FORNO                          | INSULATION OVEN                  | WITH OVEN             |
| <b>56</b> | <b>0560873X00</b> | <b>0C8729</b> | <b>ISOLAMENTO ANTERIORE CELLA FORNO</b>             | <b>FRONT SIDE INSULATION</b>     | <b>WITH OVEN</b>      |
| 57        | 0560839502        | 0C0196        | ISOLAMENTO SCHIENALE FORNO                          | REAR SIDE INSULATION             | WITH OVEN             |
| <b>58</b> | <b>0510818902</b> | <b>0C0123</b> | <b>SUOLA GHISA FORNO</b>                            | <b>SOLE PLATE</b>                |                       |
| 59        | 0800833100        | 0C0198        | COPERTURA FORO ACCENSIONE                           | PILOT COVER OVEN                 |                       |
| 60        | 0617832400        | 0C2813        | RESISTENZA PER FORNO 1500W 400V                     | HEATING ELEMENT 1500W 400V       |                       |

FRYTOP ELETTRICO E900XP  
ELECTRIC FRYTOP E900XP

| Pos | Factory Code | Spare Code | Descrizione                     | Description            | Ref./Notes |
|-----|--------------|------------|---------------------------------|------------------------|------------|
| 61  | 0529836403   | *          | ANTERIORE CAMINO FORNO          | FRONT CHIMNEY OVEN     |            |
| 62  | 0529836503   | *          | POSTERIORE CAMINO FORNO         | REAR CHIMNEY OVEN      |            |
| 63  | 50389G502    | 0C8541     | PORTA FORNO                     | DOOR, OVEN             |            |
| 64  | 50389G602    | 0C7273     | CONTROPORTA                     | INNER DOOR OVEN        |            |
| 65  | 0560839601   | 0C0197     | ISOLAMENTO PORTA FORNO          | INSULATION, OVEN DOOR  |            |
| 66  | 051589A500   | 0C7274     | MANIGLIA FORNO                  | HANDLE, OVEN DOOR      | ELX        |
| 66  | 051589A602   | 0C7226     | MANIGLIA FORNO                  | HANDLE, OVEN DOOR      | ZAN        |
| 66  | 083089FY00   | 0C7946     | MANIGLIA FORNO                  | HANDLE, OVEN DOOR      | OEM        |
| 67  | 0530R01702   | 0C6891     | BLOCCHETTO MANIGLIA             | HANDLE SUPPORT         | ELX        |
| 68  | 0530R01802   | 0C6823     | TAPPO CHIUSURA MANIGLIA         | STOPPER FOR HANDLE     | ELX        |
| *   | 085589A302   | 0C7271     | ASSIEME PORTA FORNO             | COMPLETE DOOR          | ELX        |
| *   | 085589CH04   | 0C7276     | ASSIEME PORTA FORNO             | COMPLETE DOOR          | ZAN        |
| *   | 085589CQ02   | 0C7278     | ASSIEME PORTA FORNO             | COMPLETE DOOR          | OEM        |
| 69  | 0835848100   | 0C0203     | CERNIERA-PORTARULLINO           | HINGE                  |            |
| 70  | 0205075423   | 052725     | COPRICERNIERA                   | HINGE COVER            |            |
| 71  | 0529835404   | 0C5244     | SUPPORTO CERNIERA FORNO STATICO | SUPPORT FOR HINGE      |            |
| 72  | 0538862800   | 0C6444     | GRIGLIETTA PROTEZIONE BULBO     | PROTECTION PROBE       |            |
| 74  | 0641803700   | 0C0320     | COMMUTATORE FORNO               | SWITCH OVEN            | Up to 3461 |
| 74  | 0641805600   | 0C9725     | COMMUTATORE FORNO               | SWITCH OVEN            | From 3471  |
| 75  | 0646808600   | 004600     | TERMOSTATO DI SICUREZZA FORNO   | SAFETY THERMOSTAT OVEN |            |
| 76  | 063889BD00   | 0CA793     | RESISTENZA DI DISPERSIONE       | LEAKAGE RESISTANCE     | WITH OVEN  |





Electrolux Professional SPA  
Viale Treviso 15  
33170 Pordenone  
[www.electrolux-professional.com](http://www.electrolux-professional.com)

NordCap GmbH & Co. KG  
Thalendorststraße 15  
28307 Bremen  
Hauptsitz (Service, Finanzen & Personal, Lager, IT, Marketing)

Telefon: +49 421 48557-0  
Telefax: +49 421 488650  
E-Mail: [bremen@nordcap.de](mailto:bremen@nordcap.de)

Die NordCap Verkaufsniederlassungen in Deutschland:

Nord: Hamburg • Ost: Berlin • Süd: Ingelheim • West: Erkrath

by **NordCap**<sup>®</sup>

**ZANUSSI**  
PROFESSIONAL