

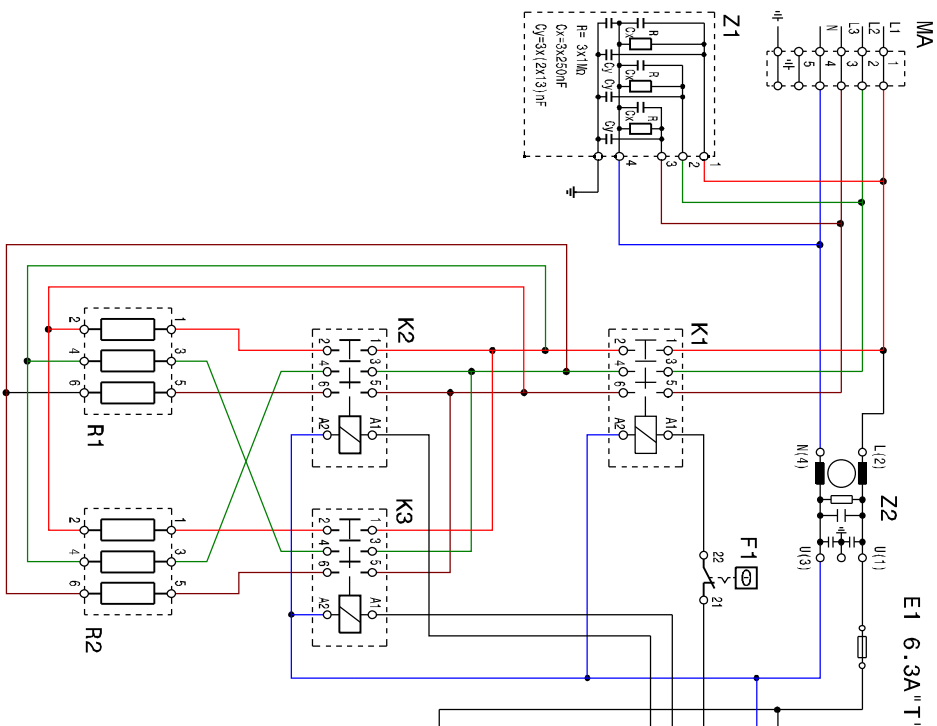
Schaltplan

Elektro-Fritteuse EHF9 / 1VB-23L-U1FT-F-S

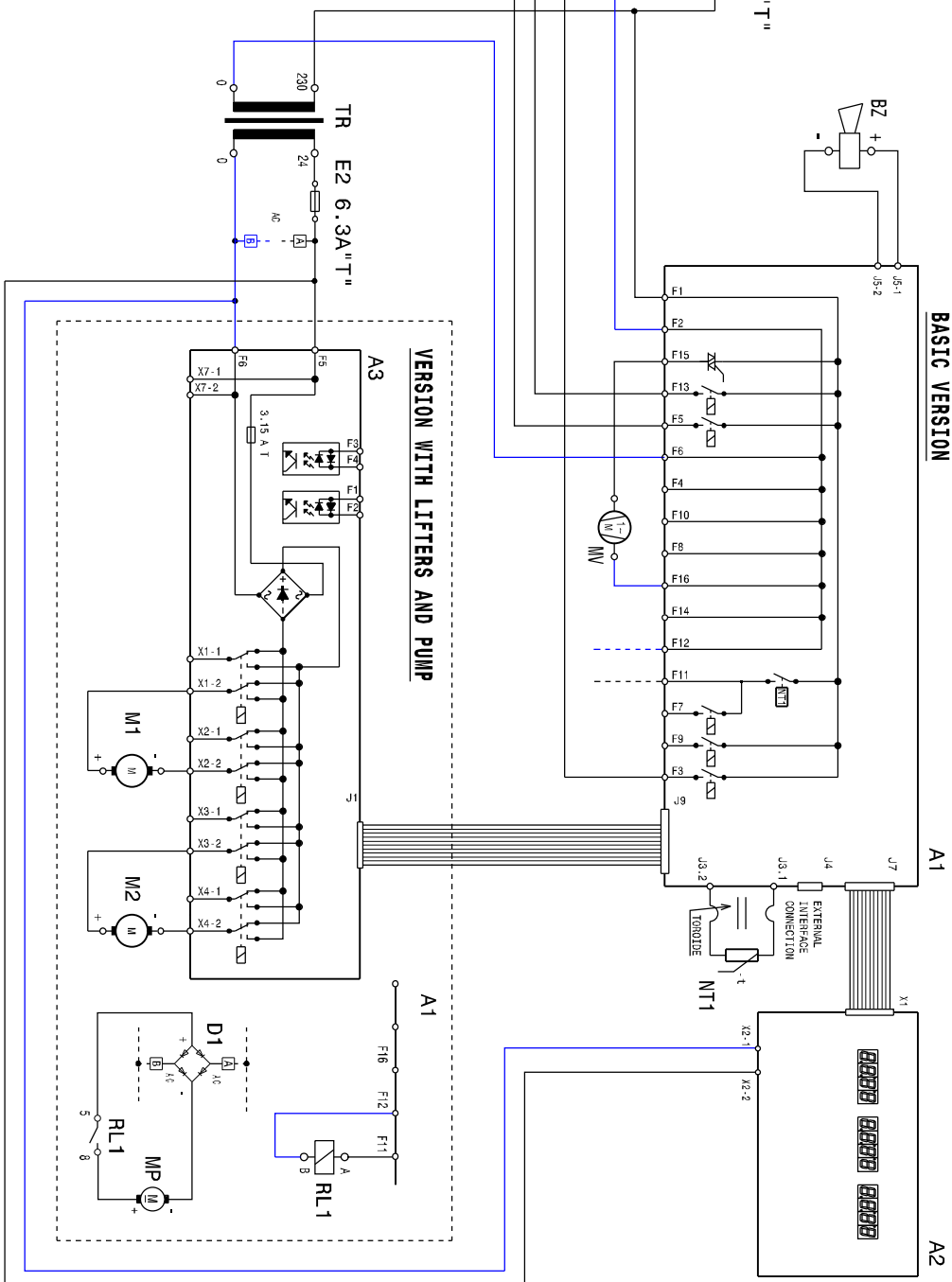


MODEL 23LT (380-400V)
400V 3N ~ 50/60Hz
18 kW 26A

MODEL 23LT (415-430V)
430V 3N ~ 50/60Hz
17.2 kW 23A

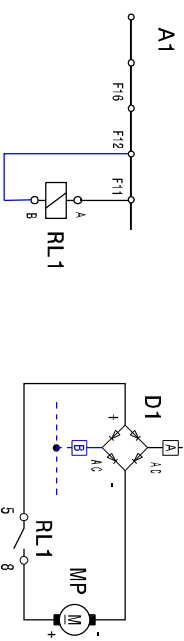


BASIC VERSION



VERSION WITH LIFTERS AND PUMP

VERSION WITH PUMP



NT1	SONDA TEMPERATURA	TEMPERATURE PROBE
BZ	BUZZER	BUZZER
MV	VENTILATORE	FAN
M1-2	MOTORI SOLLEVAMENTO	LIFTING MOTORS
RL1	RELE' POMPA	PUMP RELAY
D1	PONTE A DIODI	DIODE BRIDGE
E1-2	FUSIBILI	FUSES
MP	MOTORE POMPA	PUMP MOTOR
A3	SCHEDE RELE' SOLLEVAMENTO	LIFTERS BOARD
A2	SCHEDE INTERFACCIA UTENTE	USER INTERFACE
A1	SCHEDE MADRE	MAIN BOARD
TR	TRASFORMATORE 230-24V	TRANSFORMATOR 230-24V
R1-2	RESISTENZE	HEATING ELEMENTS
K1-2-3	CONTATTORE	CONTACTOR
F1	LIMITATORE DI TEMPERATURA	TEMPERATURE LIMITING THERMOSTAT
Z1-2	FILTRO ANTIDISTURBO	RADIO INTERFERENCE FILTER
MA	MORSETTIERA DI ALLACCIAMENTO	MAIN TERMINAL BOARD

SCHEMA EL. FRGG. AUT. HP EL. 23LT 400-430V 3P+N

FROM S/N : N° : 602899P00

Finanzen/Service

28307 Bremen
Thalendorststraße 15
Tel.+49 421 48557-0
Fax+49 421 488650
bremen@nordcap.de

Vertrieb Ost

12681 Berlin
Wolfener Straße 32/34, HausK
Tel.+49 30 936684-0
Fax+49 30 936684-44
berlin@nordcap.de

Vertrieb West

40699 Erkrath
Max-Planck-Straße 30
Tel.+49 211 540054-0
Fax+49 211 540054-54
erkrath@nordcap.de

Vertrieb Nord

21079 Hamburg
Großmoorbogen 5
Tel.+49 40 766183-0
Fax+49 40 770799
hamburg@nordcap.de

Vertrieb Süd

55218 Ingelheim
Hermann-Bopp-Straße 4
Tel.+49 6132 7101-0
Fax+49 6132 7101-20
ingelheim@nordcap.de



www.nordcap.de