

# Ersatzteilliste-Explosionszeichnung

## Elektro-Kontaktgrill ERG9 / 2HT-HP

[Art. 406392347]



**GRIGLIA ELETTRICA ALTA PRODUTTIVITA'**  
**HIGH PERFORMANCE ELECTRIC GRILL**

| PNC             | MODEL       | DESCRIPTION                           | Ref |
|-----------------|-------------|---------------------------------------|-----|
| 371266 – P80108 | E7GREDGS0P  | GRILL HP 700 x 400 MM                 | g   |
| 371267 – P80107 | E7GREHGS0P  | GRILL HP 700 x 800 MM                 | h   |
| 371268 – P80110 | E7GRELGS0P  | GRILL HP 700 x 1200 MM                | i   |
| 371300          | E7JJCIAOMIG | GRILL HP 700 x 1200 MM, 230V          | z   |
| 371301          | E7JJCIAOMEG | GRILL HP 700 x 800 MM, 230V           | a1  |
| 371302          | E7JJCIAOMCG | GRILL HP 700 x 400 MM, 230V           | b1  |
| 371303          | E7JJCHAOMIG | GRILL HP 700 x 1200 MM, 400V - MARINE | c1  |
| 371304          | E7JJCHAOMEG | GRILL HP 700 x 800 MM, 400V - MARINE  | d1  |
| 371305          | E7JJCHAOMCG | GRILL HP 700 x 400 MM, 400V - MARINE  | e1  |
| 371306          | E7JJCJAOMIG | GRILL HP 700 x 1200 MM 440V           | d   |
| 371307          | E7JJCJAOMEG | GRILL HP 700 x 800 MM 440V            | e   |
| 371308          | E7JJCJAOMCG | GRILL HP 700 x 400 MM 440V            | f   |
| 372266          | Z7GREDGS0P  | GRILL HP 700 x 400MM                  | j   |
| 372267          | Z7GREHGS0P  | GRILL HP 700 x 800MM                  | k   |
| 372268          | Z7GRELGS0P  | GRILL HP 700 x 1200MM                 | l   |
| 372300          | Z7JJCIAOMIG | GRILL HP 700 x 1200 MM, 230V          | f1  |
| 372301          | Z7JJCIAOMEG | GRILL HP 700 x 800 MM, 230V           | g1  |
| 372302          | Z7JJCIAOMCG | GRILL HP 700 x 400 MM, 230V           | h1  |
| 373266          | A7GREDGS0P  | GRILL HP 700 x 400MM                  | m   |
| 373267          | A7GREHGS0P  | GRILL HP 700 x 800MM                  | n   |
| 373268          | A7GRELGS0P  | GRILL HP 700 x 1200MM                 | o   |
| 373300          | N7JJCIAOMIG | GRILL HP 700 x 1200 MM, 230V          | j1  |
| 373301          | N7JJCIAOMEG | GRILL HP 700 x 800 MM, 230V           | k1  |
| 373302          | N7JJCIAOMCG | GRILL HP 700 x 400 MM, 230V           | l1  |
| 391346 - P80102 | E9GREDGS0P  | GRILL HP 900 x 400 MM                 | p   |
| 391347 – P80106 | E9GREHGS0P  | GRILL HP 900 x 800 MM                 | q   |
| 391348 – P80109 | E9GRELGS0P  | GRILL HP 900 x 1200 MM                | r   |
| 391360          | E9JJCIAOMIG | GRILL HP 900 x 1200 MM, 230V          | m1  |
| 391361          | E9JJCIAOMEG | GRILL HP 900 x 800 MM, 230V           | n1  |
| 391362          | E9JJCIAOMCG | GRILL HP 900 x 400 MM, 230V           | o1  |

**Index**

General components / Componenti  
Spare parts list / Lista ricambi

**Page**

3,4  
5-7

**Bold=last change / Grassetto =ultima modifica**

Rev. 6

|                                       |                                |         |                         |
|---------------------------------------|--------------------------------|---------|-------------------------|
| From Ser. Nr....<br>Up to Ser. Nr.... | Ed. 2015-02<br>Updated 2020/04 | Page: 1 | <b>Doc No:59785UW00</b> |
|---------------------------------------|--------------------------------|---------|-------------------------|

**GRIGLIA ELETTRICA ALTA PRODUTTIVITA'**  
**HIGH PERFORMANCE ELECTRIC GRILL**

| PNC    | MODEL       | DESCRIPTION                           | Ref |
|--------|-------------|---------------------------------------|-----|
| 391363 | E9JJCHAOMIG | GRILL HP 900 x 1200 MM, 400V - MARINE | p1  |
| 391364 | E9JJCHAOMEG | GRILL HP 900 x 800 MM, 400V - MARINE  | q1  |
| 391365 | E9JJCHAOMCG | GRILL HP 900 x 400 MM, 400V - MARINE  | r1  |
| 391366 | E9JJCJAOMIG | GRILL HP 900 x 1200 MM 440V           | a   |
| 391367 | E9JJCJAOMEG | GRILL HP 900 x 800 MM 440V            | b   |
| 391368 | E7JJCJAOMCG | GRILL HP 900 x 400 MM 440V            | c   |
| 392346 | Z9GREDGS0P  | GRILL HP 900 x 400MM                  | s   |
| 392347 | Z9GREHGS0P  | GRILL HP 900 x 800MM                  | t   |
| 392348 | Z9GRELGS0P  | GRILL HP 900 x 1200MM                 | u   |
| 392360 | Z9JJCIAOMIG | GRILL HP 900 x 1200 MM, 230V          | s1  |
| 392361 | Z9JJCIAOMEG | GRILL HP 900 x 800 MM, 230V           | t1  |
| 392362 | Z9JJCIAOMCG | GRILL HP 900 x 400 MM, 230V           | u1  |
| 393346 | A9GREDGSOP  | GRILL HP 900 x 400 MM                 | v   |
| 393347 | A9GREHGS0P  | GRILL HP 900 x 800 MM                 | w   |
| 393348 | A9GRELGS0P  | GRILL HP 900 x 1200 MM                | x   |
| 393360 | N9JJCIAOMIG | GRILL HP 900 x 1200 MM, 230V          | v1  |
| 393361 | N9JJCIAOMEG | GRILL HP 900 x 800 MM, 230V           | w1  |
| 393362 | N9JJCIAOMCG | GRILL HP 900 x 400 MM, 230V           | y1  |
|        |             |                                       |     |

**Index**

General components / Componenti  
 Spare parts list / Lista ricambi

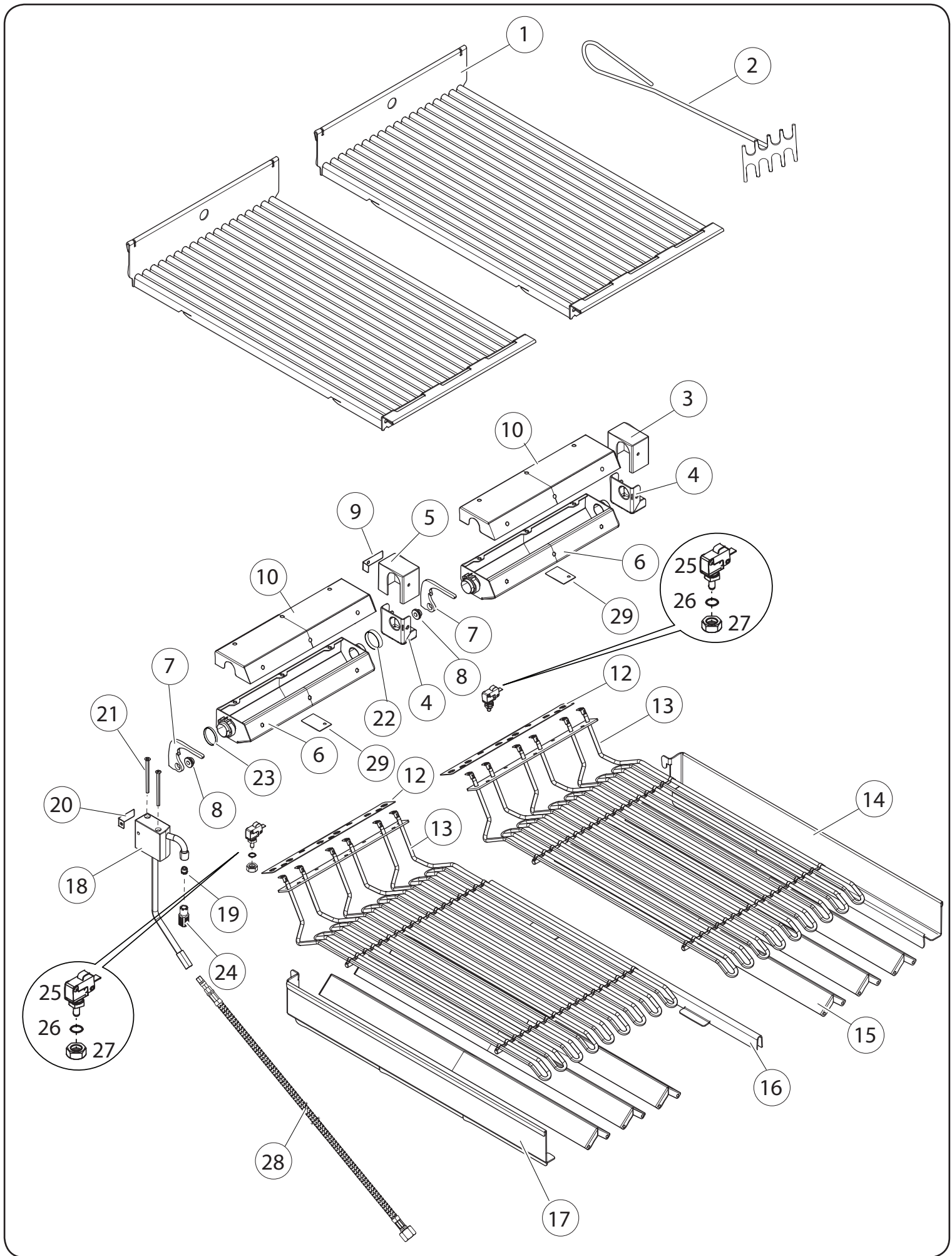
**Page**

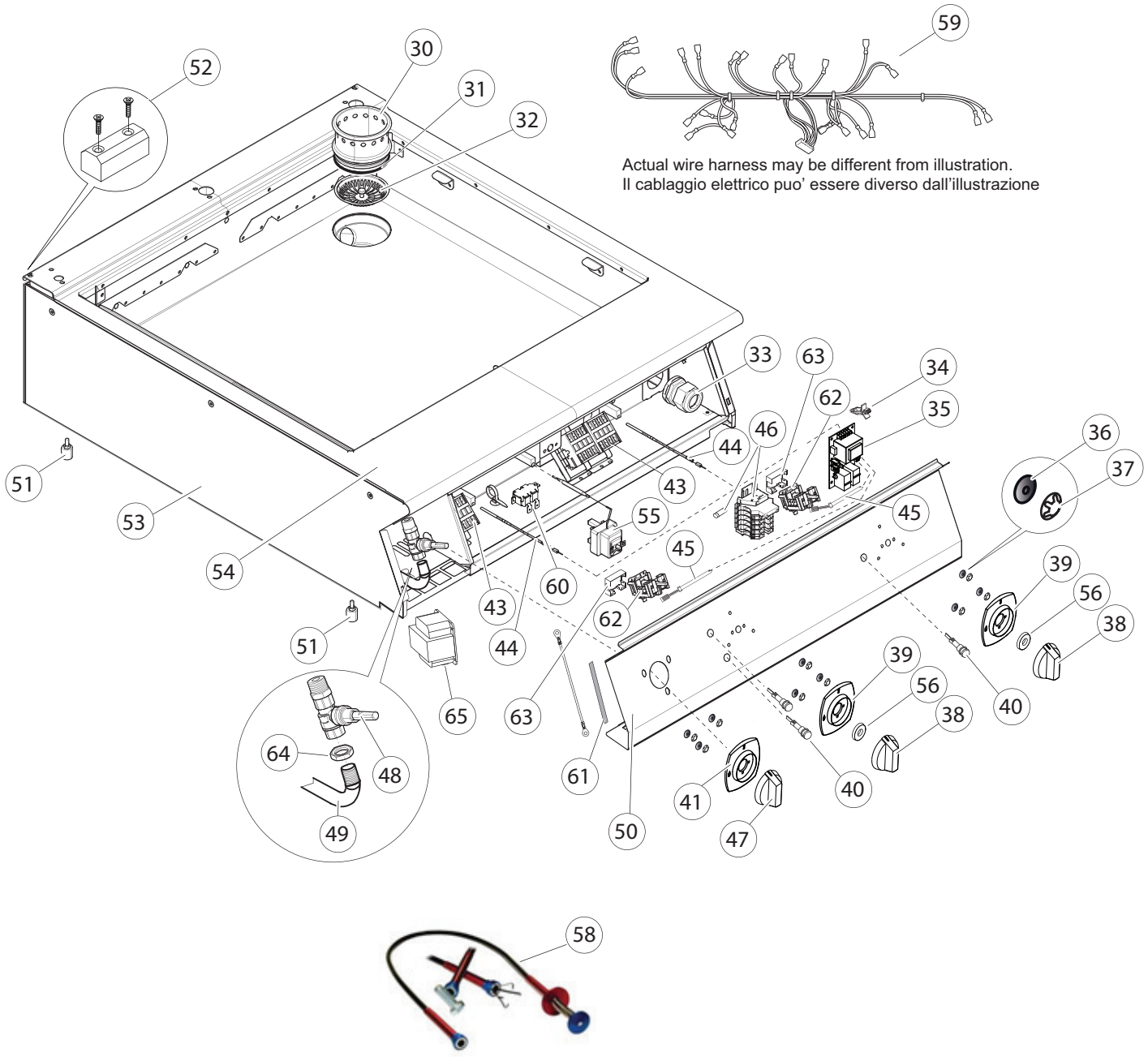
3,4  
 5-7

**Bold=last change / Grassetto =ultima modifica**

Rev. 6

|                                       |                                |         |                         |
|---------------------------------------|--------------------------------|---------|-------------------------|
| From Ser. Nr....<br>Up to Ser. Nr.... | Ed. 2015-02<br>Updated 2020/04 | Page: 2 | <b>Doc No:59785UW00</b> |
|---------------------------------------|--------------------------------|---------|-------------------------|





Actual wire harness may be different from illustration.  
 Il cablaggio elettrico puo' essere diverso dall'illustrazione

GRIGLIA ELETTRICA ALTA PRODUTTIVITA'  
HIGH PERFORMANCE ELECTRIC GRILL

| Pos       | Spare part Code | Factory Code      | Descrizione                   | Description                | Ref./Notes   |
|-----------|-----------------|-------------------|-------------------------------|----------------------------|--|
| 1         | 0CA891          | 085089MY00        | ASSIEME GRIGLIA               | GRILL GRID ASSEMBLY        | 700 MM   |
|           | 0CA820          | 085089MX00        | ASSIEME GRIGLIA               | GRILL GRID ASSEMBLY        | 900 MM   |
| 2         | 0CA819          | 083089LQ00        | RASCHIETTO TEGOLI             | GRID SRAPER                |  |
| 3         | 0CB204          | 050289DN01        | COPERCHIO, SUPPORTO DX        | COVER, RIGHT SUPP.         |  |
| 4         | *               | 050289FK00        | SUPPORTO DX                   | SUPPORT, RIGHT             |  |
| 5         | *               | 051589C500        | COPERCHIO, SUPPORTO CENTRALE  | COVER, CENTER SUPP         |  |
| 6         | 0CB079          | 083089KT02        | SCATOLA RESISTENZA            | H.E BOX                    |  |
| 7         | 0CB090          | 050289DP01        | GANCIO BLOCCO RES.            | H.E. CATCH                 |  |
| 8         | 0C9177          | 0518825B01        | BOCCOLA GANCIO                | BUSH, CATCH                |  |
| 9         | *               | 050689F700        | MOLLA STAFFA BLOCCAGGIO       | SPRING BRAKET STOPPER      | For 800 and 1200                                   |
| 10        | 0CB337          | 050089A302        | COPERCHIO SCATOLA RES.        | COVER, BOX                 |  |
| 12        | 0CA892          | 0543844T00        | GUARNIZIONE RESISTENZA        | H.E. GASKET                |  |
| 13        | 0CA893          | 0617839Z02        | RESISTENZA ELETTRICA 230V     | HEATING ELEMENT 230V       | 700 mm 3450W                                       |
|           | 0CB182          | 061783A400        | RESISTENZA ELETTRICA 254V     | HEATING ELEMENT 254V       | 700mm 440V   |
|           | 0CA758          | 0617839Y02        | RESISTENZA ELETTRICA 230V     | HEATING ELEMENT 230V       | 900 mm 5400W                                       |
|           | 0CB181          | 061783A200        | RESISTENZA ELETTRICA 254V     | HEATING ELEMENT 254V       | 900mm 440V   |
| 14        | 0CA894          | 050089A000        | PARASPRUZZI DX                | RIGHT SPLASH GUARD         | 700MM  |
|           | 0CA895          | 0500899Y00        | PARASPRUZZI DX                | RIGHT SPLASH GUARD         | 900MM  |
| 15        | 0CA924          | 083089M501        | ASS. TEGOLI RADIANTI          | DEFLECTOR ASSEMBLY         | 700MM  |
|           | 0CA923          | 083089M401        | ASS. TEGOLI RADIANTI          | DEFLECTOR ASSEMBLY         | 900MM  |
| 16        | 0CA896          | 050589KF00        | COPPO SUPPORTO CENT.          | CENTER SUPPORT             | 700MM  |
|           | 0CA817          | 050589FC00        | COPPO SUPPORTO CENT.          | CENTER SUPPORT             | 900MM  |
| 17        | 0CA897          | 0500899Z00        | PARASPRUZZI SX                | LEFT SPLASH GUARD          | 700MM  |
|           | 0CA898          | 0500899X00        | PARASPRUZZI SX                | LEFT SPLASH GUARD          | 900MM  |
| 18        | 0CA900          | 080589DN00        | SUPPORTO E INGRESSO ACQUA     | INLET WATER ASSEMBLY       | Until wk 39/2016<br>See TB PDX2016-04              |
|           | 0CA901          | 080589DN01        | SUPPORTO E INGRESSO ACQUA     | INLET WATER ASSEMBLY       | From wk 40/2016                                    |
| 19        | 0CA902          | 0544826B00        | GETTO EROGATORE 10 Ø          | WATER NOZZEL 10 Ø          | Until wk 39/2016<br>See TB PDX2016-04              |
|           | <b>0CA873</b>   | <b>0544826K01</b> | <b>GETTO EROGATORE 16,5 Ø</b> | <b>WATER NOZZEL 16,5 Ø</b> | <b>From wk 40/2016</b>                             |
| 20        | 0C9171          | 0500898K00        | MOLLA STAFFA                  | SPRING BRAKET              |  |
| 21        | 0CA899          | 0217543705        | VITI AISI M5 x 70MM           | SCREW, STAINLESS S.        |  |
| 22        | 0CA664          | 0500898H00        | RONDELLA SPESSA, DX           | WIDE WASHER, RIGHT         |  |
| 23        | 0CA663          | 0500898J00        | RONDELLA SOTTILE, SX          | SLIMM WASHER, LEFT         |  |
| 24        | *               | *                 | CHIAVE GETTO EROGATORE        | WATER NOZZEL SPANNER       | accessory Until wk<br>39/2016 See TB<br>PDX2016-04 |
| 25        | 002785          | 0640803300        | MICRO SICUREZZA               | MICRO SWITCH               |  |
| 26        | 0CA903          | 0543845200        | GUARNIZIONE OR MICRO          | O-RING FOR MICRO           |  |
| 27        | 0CA904          | 051489FX00        | DADO GHIERA OR                | O-RING NUT SPOPPER         |  |
| 28        | 0CA905          | 080589DM01        | TUBO FLESSIBILE INOX          | FLEXI WATER HOSE           | 110CM  |
| <b>29</b> | <b>0CB404</b>   | <b>050689GK00</b> | <b>MOLLA PROTEZIONE MICRO</b> | <b>MICROSWITCH SPRING</b>  |  |
| 30        | 0CA821          | 051589C400        | TROPPOPIENO                   | OVERFLOW                   |  |
| 31        | 0CA906          | 0543845100        | OR TROPPOPIENO                | O-RING GASKET              |  |
| 32        | 0CA818          | 050689G100        | GRIGLIETTA TROPPOPIENO        | OVERFLOW FILTER            |  |
| 33        | 0C3528          | 0544802400        | PRESSACAPO 37mm Ø             | CALBE STOPPER 37mm Ø       |  |
| 34        | 0C3750          | 0546814001        | FERMA SCHEDA EL.              | EL.BOARD SUPPORT           |  |
| 35        | 0CA816          | 0673800D00        | SCHEDA ELETTRONICA            | ELECTRONIC BOARD           |  |
| 36        | 0C6171          | 0541813800        | RONDELLA SILICONE             | SILICONE WASHER            |  |
| 37        | 069567          | 0218912211        | MOLLETTA DI FISSAGGIO         | FIXING WASHER RING         |  |



GRIGLIA ELETTRICA ALTA PRODUTTIVITA'  
HIGH PERFORMANCE ELECTRIC GRILL

| Pos       | Spare part Code | Factory Code      | Descrizione   | Description  | Ref./Notes                              |
|-----------|-----------------|-------------------|---|--|---|
| 38        | 0C8700          | 0548877W00        | MANOPOLA CON ADATTATORE                                   | KNOB WITH ADAPTER  | ENERGY, ELUX                            |
| <b>38</b> | <b>0C7232</b>   | <b>0548878202</b> | <b>MANOPOLA CON ADATTATORE</b>                            | <b>KNOB WITH ADAPTER</b>                                     | <b>ENERGY,ZAN</b>                       |
| 38        | 0A5621          | 0548865500        | MANOPOLA CON ADATTATORE                                   | KNOB WITH ADAPTER  | ENERGY,ALPEN                            |
| 39        | 0C7177          | 0548877D00        | GHIERA ENERGIA  | KNOB RING, ENERGY  | ELUX                                    |
| 39        | 0C7640          | 0548879L00        | GHIERA ENERGIA  | KNOB RING, ENERGY  | ZAN, ALPEN                              |
| 40        | 005010          | 0876800002        | LAMPADA VERDE COMPLETA                                    | GREEN BULB COMPLETE  |   |
|           | 005011          | 0876800102        | LAMPADA ARANCIONE COMP.                                   | ORANGE BULB COMPLETE   | REFILL LAMP                             |
| 41        | 0C6802          | 0548876G01        | GHIERA ACQUA  | KNOB RING, WATER   | ELUX                                    |
| 41        | 0C7385          | 0548879H00        | GHIERA ACQUA  | KNOB RING, WATER   | ZAN, ALPEN                              |
| 43        | 006879          | 0648807400        | RELE' - CONTATTORE 18 AMP                                 | RELE - CONTACTOR 18 AMP                                      | All                                     |
|           | 007104          | 0648807800        | RELE' - CONTATTORE 40 AMP                                 | RELE - CONTACTOR 40 AMP                                      | On 1200mm with 380V-400V-440V           |
|           | 007080          | 0648807700        | RELE' - CONTATTORE 32 AMP                                 | RELE - CONTACTOR 32 AMP                                      | 230V except for 400mm Elx               |
| 44        | *               | 0830899002        | SONDA TEMPERATURA K                                       | TEMPERATURE PROBE K  |   |
| 45        | 0C9773          | *                 | CAVETTO, SELET. / SCHEDA EL                               | CABLE, SELECT. / EL. BOARD                                   | INDICATED CABLE ONLY                    |
| 46        | 0C4759          | 0639811900        | MORSETTIERA 10 MM <sup>2</sup> CON BARRA DIN              | TERMINAL CLAMP 10 MM <sup>2</sup> & DIN BAR                  | 400 & 800 MM                            |
|           | 058608          | 0639805301        | MORSETTIERA 16 MM <sup>2</sup> CON BARRA DIN              | TERMINAL CLAMP 16 MM <sup>2</sup> & DIN BAR                  | 1200 MM                                 |
|           | 007054          | 0652802900        | FUSIBILE 5X20 MM 630Mamp                                  | FUSE 5X20 MM 630Mamp   |   |
|           | <b>006854</b>   | <b>0639806600</b> | <b>MORSETTIERA WEIDMULLER 16MM2 C/2 PORT.WEID 9313207</b> | <b>TERMINAL CLAMP WEIDMULLER 16MM2 C/2 PORT.WEID 9313207</b> | <b>1200 MM - 230V, 400V MARINE,440V</b> |
| 47        | 0C8646          | 054887AW00        | MANOPOLA CON ADATTATORE                                   | KNOB WITH ADAPTER  | WATER - ELUX                            |
| <b>47</b> | <b>0C7180</b>   | <b>0548878002</b> | <b>MANOPOLA</b>   | <b>KNOB</b>  | <b>WATER - ZAN</b>                      |
| 47        | 0C1380          | 0548865700        | MANOPOLA  | KNOB   | WATER - ALPEN                           |
| 48        | 0CA830          | 0835878601        | RUBINETTO SFERA ACQUA                                     | WATER TAP  |   |
|           | *               | 0147098070        | LOCTITE SIGILLANTE RUBINETTO                              | LOCTITE SEAL PASTE, TAP                                      |   |
| 49        | 0CA907          | 051589C301        | RIBALTA ACQUA, INOX                                       | AISI PIPE INLET  | 700MM                                   |
|           | 0CA908          | 051589C200        | RIBALTA ACQUA, INOX                                       | AISI PIPE INLET  | 900MM                                   |
| 50        | *               | 085089NF01        | CRUSCOTTO   | CONTROL PANEL  | 400MM ELUX                              |
|           | *               | 085089MK01        | CRUSCOTTO   | CONTROL PANEL  | 800MM ELUX                              |
|           | 0CB523          | 085089NS01        | CRUSCOTTO   | CONTROL PANEL  | 1200MM ELUX                             |
|           | *               | 085089NW00        | CRUSCOTTO   | CONTROL PANEL  | 400MM ZAN                               |
|           | *               | 085089NX00        | CRUSCOTTO   | CONTROL PANEL  | 800MM ZAN                               |
|           | *               | 085089NY00        | CRUSCOTTO   | CONTROL PANEL  | 1200MM ZAN                              |
|           | *               | 085089NZ00        | CRUSCOTTO   | CONTROL PANEL  | 400MM ALPEN                             |
|           | *               | 085089P000        | CRUSCOTTO   | CONTROL PANEL  | 800MM ALPEN                             |
|           | *               | 085089P100        | CRUSCOTTO   | CONTROL PANEL  | 1200MM ALPEN                            |
| 51        | 026806          | 0315252601        | PIEDINO   | FOOT   |   |
| 52        | 0C9655          | *                 | ASSIEME GIUNTO OTTONE E VITI                              | JOINING BRACKET & SCREWS                                     | KIT                                     |
| 53        | 0C8544          | 085089F701        | FIANCO FASCIA   | SIDE PANEL   | 700 X 400MM ELUX                        |
|           | 0C7536          | 085089F801        | FIANCO FASCIA   | SIDE PANEL   | 700 X 800MM ELUX                        |
|           | 0CA725          | 085089F901        | FIANCO FASCIA   | SIDE PANEL   | 700 X 1200MM ELUX                       |
|           | 0CA013          | 085089DR00        | FIANCO FASCIA   | SIDE PANEL   | 900 X 400MM ELUX                        |
|           | 0C9625          | 085089DS02        | FIANCO FASCIA   | SIDE PANEL   | 900 X 800MM ELUX                        |
|           | 0CA122          | 085089DT01        | FIANCO FASCIA   | SIDE PANEL   | 900 X 1200MM ELUX                       |
|           | 0C7268          | 085089FA01        | FIANCO FASCIA   | SIDE PANEL   | 700 X 400MM ZAN ALPEN                   |
|           | 0C8464          | 085089FB01        | FIANCO FASCIA   | SIDE PANEL   | 700 X 800MM ZAN ALPEN                   |
|           | 0C7392          | 085089FC01        | FIANCO FASCIA   | SIDE PANEL   | 700 X 1200 MM ZAN ALPEN                 |

GRIGLIA ELETTRICA ALTA PRODUTTIVITA'  
HIGH PERFORMANCE ELECTRIC GRILL

| Pos       | Spare part Code | Factory Code      | Descrizione              | Description              | Ref./Notes              |
|-----------|-----------------|-------------------|--------------------------|--------------------------|-------------------------|
|           | *               | 085089DU02        | FIANCO FASCIA            | SIDE PANEL               | 900 X 400 MM ZAN ALPEN  |
|           | 0C9937          | 085089DV02        | FIANCO FASCIA            | SIDE PANEL               | 900 X 800MM ZAN ALPEN   |
|           | 0CA575          | 085089DW01        | FIANCO FASCIA            | SIDE PANEL               | 900 X 1200MM ZAN ALPEN  |
| 54        | *               | 085089MV00        | RIPIANO CON VASCA        | TOP WITH WELL            | 700 X 400MM ELUX        |
|           | *               | 085089NH00        | RIPIANO CON VASCA        | TOP WITH WELL            | 700 X 800MM ELUX        |
|           | *               | 085089NM00        | RIPIANO CON VASCA        | TOP WITH WELL            | 700 X 1200 ELUX         |
|           | *               | 085089LJ00        | RIPIANO CON VASCA        | TOP WITH WELL            | 900 X 400 ELUX          |
|           | *               | 085089LK00        | RIPIANO CON VASCA        | TOP WITH WELL            | 900 X 800MM ELUX        |
|           | *               | 085089LM00        | RIPIANO CON VASCA        | TOP WITH WELL            | 900 X 1200MM ELUX       |
|           | *               | 085089MW00        | RIPIANO CON VASCA        | TOP WITH WELL            | 700 X 400MM ZAN ALPEN   |
|           | *               | 085089NJ00        | RIPIANO CON VASCA        | TOP WITH WELL            | 700 X 800MM ZAN ALPEN   |
|           | *               | 085089NN00        | RIPIANO CON VASCA        | TOP WITH WELL            | 700 X 1200 MM ZAN ALPEN |
|           | *               | 085089NR00        | RIPIANO CON VASCA        | TOP WITH WELL            | 900 X 400 MM ZAN ALPEN  |
|           | *               | 085089NQ00        | RIPIANO CON VASCA        | TOP WITH WELL            | 900 X 800MM ZAN ALPEN   |
|           | *               | 085089NP00        | RIPIANO CON VASCA        | TOP WITH WELL            | 900 X 1200MM ZAN ALPEN  |
| 55        | 0C4463          | 0646816600        | TERMOSTATO SICUREZZA     | SAFETY THERMOSTAT        |                         |
| 56        | 053816          | 0543821000        | GUARNIZIONE MANOPOLA     | KNOB GASKET              |                         |
| 58        | 0ST068          | FM9300            | ASTA PRENDITUTTO         | PRONG FLEXI CLAW         |                         |
| <b>59</b> | *               | <b>0634804104</b> | <b>ASSIEME CABLAGGIO</b> | <b>WIRING HARNESS</b>    | <b>800MM 400V</b>       |
| <b>59</b> | *               | <b>0634804005</b> | <b>ASSIEME CABLAGGIO</b> | <b>WIRING HARNESS</b>    | <b>400MM 400V</b>       |
| <b>59</b> | *               | <b>0634804204</b> | <b>ASSIEME CABLAGGIO</b> | <b>WIRING HARNESS</b>    | <b>1200MM 400V</b>      |
| <b>59</b> | *               | <b>0634804M02</b> | <b>ASSIEME CABLAGGIO</b> | <b>WIRING HARNESS</b>    | <b>400MM 230V</b>       |
| 60        | 0CA925          | 0646817D00        | TERMOSTATO RIEMPIMENTO   | REFILL THERMOSTAT        | 80/90C°                 |
| 61        | 0C2496          | 0543821900        | SPUGNA ADESIVA GRIGIA    | GRAY SPONGE GASKET       |                         |
| 62        | 0CA759          | 0641805D00        | SELETTORE/COMMUTATORE    | SELECTOR                 |                         |
| 63        | 0CA909          | 0541813F00        | PROTEZIONE POTENZIOMETRO | POTENZIOMETER PROTECTION |                         |
| 64        | 0C8993          | 0516875100        | CONTRODADO               | LOCK NUT                 |                         |
| 65        | 006710          | 0624806700        | AUTOTRASFORMATORE        | TRANSFORMER              | For 400V and 440V       |
|           |                 |                   |                          |                          |                         |
|           |                 |                   |                          |                          |                         |





Electrolux Professional SPA  
Viale Treviso 15  
33170 Pordenone  
[www.electrolux-professional.com](http://www.electrolux-professional.com)

NordCap GmbH & Co. KG  
Thalendorststraße 15  
28307 Bremen  
Hauptsitz (Service, Finanzen & Personal, Lager, IT, Marketing)

Telefon: +49 421 48557-0  
Telefax: +49 421 488650  
E-Mail: [bremen@nordcap.de](mailto:bremen@nordcap.de)

Die NordCap Verkaufsniederlassungen in Deutschland:

Nord: Hamburg • Ost: Berlin • Süd: Ingelheim • West: Erkrath

by **NordCap**<sup>®</sup>

**ZANUSSI**  
PROFESSIONAL