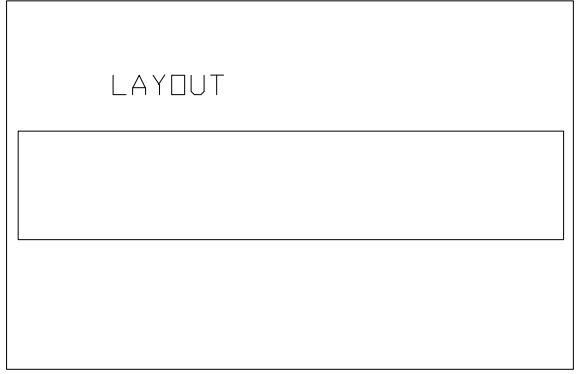
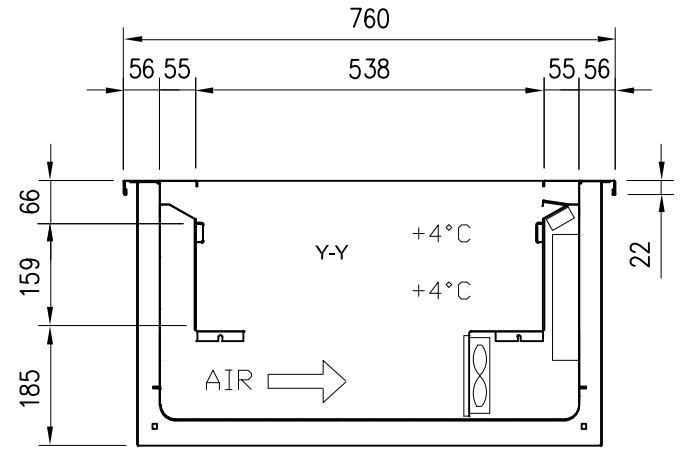
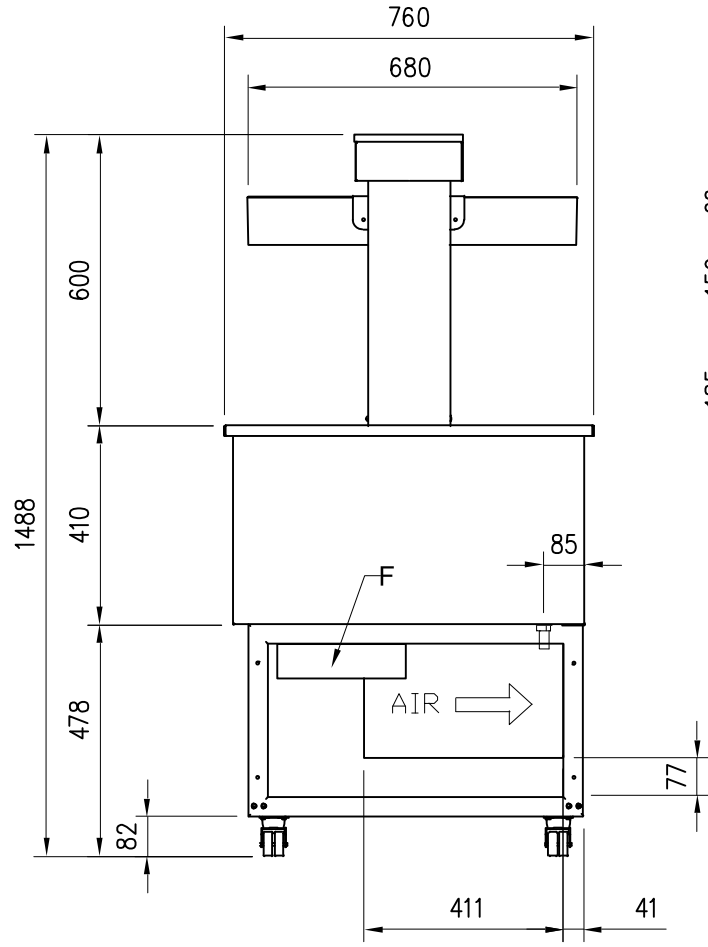
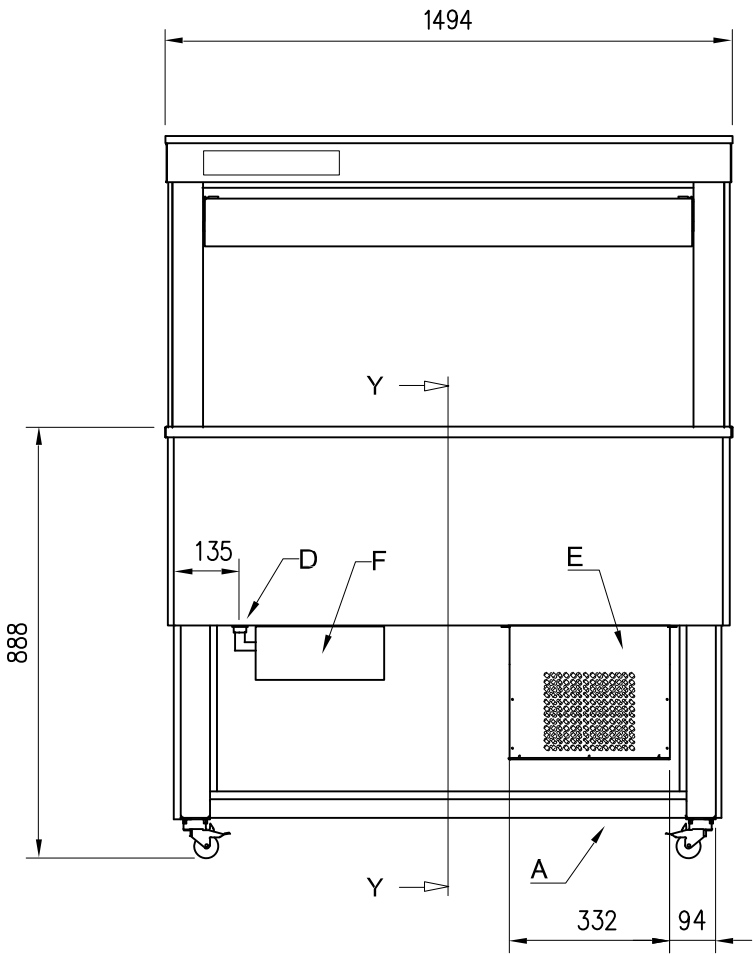


Masszeichnung Salatbar TR-BLUE 4/1-UMLUFT

[Art. 434715501]



- A= ELECTRICAL CONNECTION
- D= WATER DISCHARGE $\varnothing 16$
- E= GAS CONNECTION $\varnothing 8 \varnothing 10$
- F= WATER BOX