

# Ersatzteilliste-Explosionszeichnung

## Elektro-Bratplatte EBP9 / GLK HP

[Art. 406392404]



## FRYTOP ELETTRICO HP E900 XP ELECTRIC GRIDDLES HP E900 XP

PNC	Model	Ref	Notes
391222	E9FTELSS0P	A	ELECTRIC FRY TOP HP SMOOTH PLATE 1200 MM
391223	E9FTELSP0P	B	ELECTRIC FRY TOP HP SMOOTH+RIBBED1200 MM
<b>391404</b>	<b>E9IIKDAOMIG</b>	<b>C</b>	<b>ELECTRIC FRY TOP HP SMOOTH 1200 - SCRATCH RESISTANT CHROMIUM</b>
<b>391405</b>	<b>E9IIMDAOMIG</b>	<b>D</b>	<b>ELECTRIC FRY TOP HP SMOOTH+RIBBED 1200 - SCRATCH RESISTANT CHROMIUM</b>
<b>392404</b>	<b>Z9IIKDAOMIG</b>	<b>E</b>	<b>ELECTRIC FRY TOP HP SMOOTH 1200 - SCRATCH RESISTANT CHROMIUM</b>
<b>392405</b>	<b>Z9IIMDAOMIG</b>	<b>F</b>	<b>ELECTRIC FRY TOP HP SMOOTH+RIBBED 1200 - SCRATCH RESISTANT CHROMIUM</b>
<b>393404</b>	<b>N9IIKDAOMIG</b>	<b>G</b>	<b>ELECTRIC FRY TOP HP SMOOTH 1200 - SCRATCH RESISTANT CHROMIUM</b>
<b>393405</b>	<b>N9IIMDAOMIG</b>	<b>H</b>	<b>ELECTRIC FRY TOP HP SMOOTH+RIBBED 1200 - SCRATCH RESISTANT CHROMIUM</b>

### Index

General components / Componenti struttura  
Spare parts list / Lista ricambi

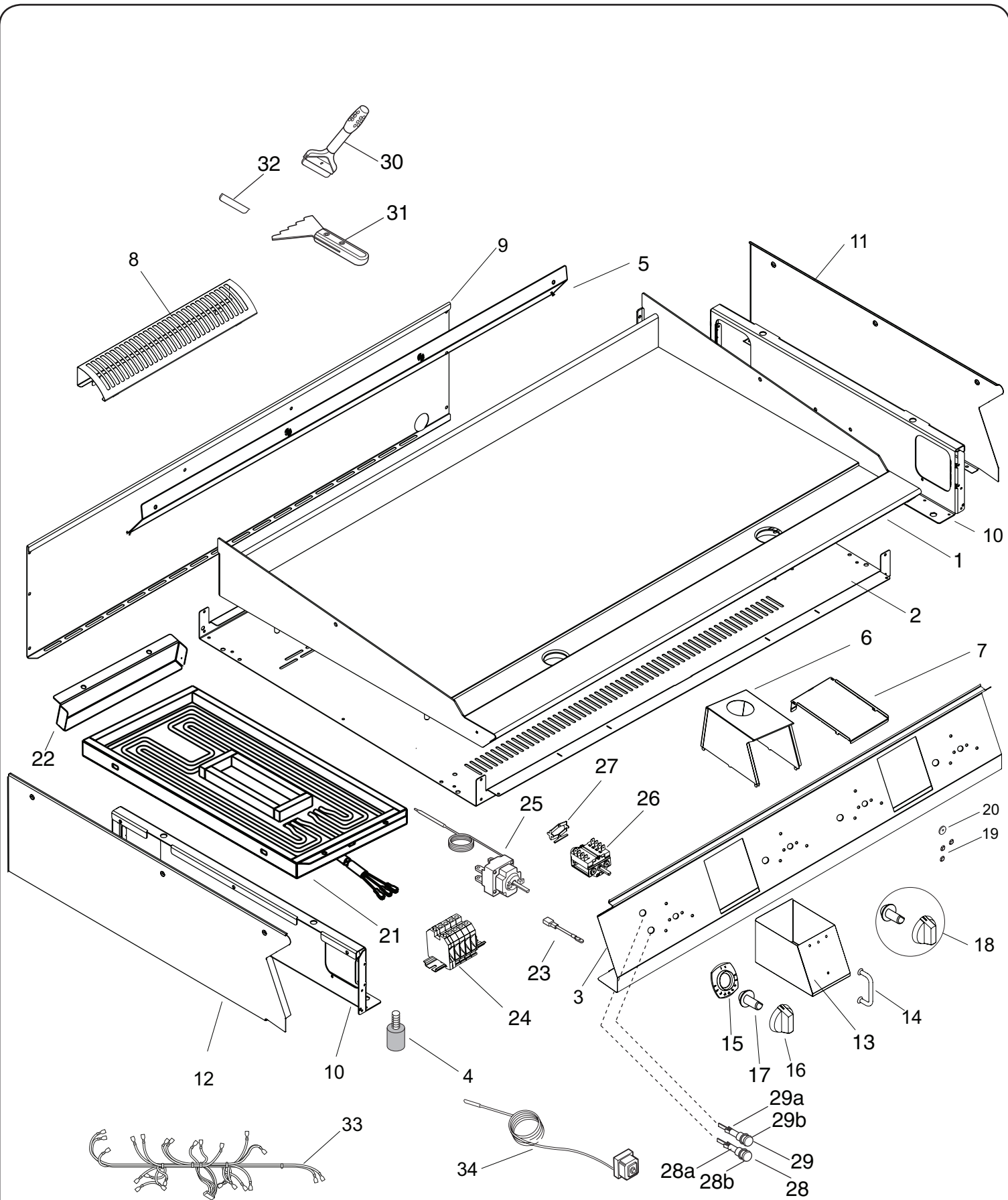
### Page

2  
3

**Bold=last change / Grassetto =ultima modifica**

Rev. 4

From Ser. Nr. Up to Ser. Nr.	Ed. 2015-01 Updated 2019-10	Page: 1	<b>Doc No:59785Q200</b>
---------------------------------	--------------------------------	---------	-------------------------



Actual wire harness may be different from illustration.

FRYTOP ELETTRICO HP E900 XP  
ELECTRIC GRIDDLES HP E900 XP

Pos	Spare Code	Factory Code	Descrizione	Description	Ref./Notes
1	0C8455	879800602	PIASTRA-RIPIANO LISCIO	SMOOTH PLATE	A
1	0CB639	879800801	PIASTRA-RIPIANO LISCIO/RIGATO	SMOOTH GROVED PLATE	B
1	*	<b>87589J800</b>	<b>PIASTRA-RIPIANO LISCIO</b>	<b>SMOOTH PLATE</b>	<b>C</b>
1	*	<b>87589JA00</b>	<b>PIASTRA-RIPIANO LISCIO</b>	<b>SMOOTH PLATE</b>	<b>E, G</b>
1	*	<b>87589JC00</b>	<b>PIASTRA-RIPIANO LISCIO - 1/3 RIGATO</b>	<b>SMOOTH - 1/3 GROVED PLATE</b>	<b>D</b>
1	*	<b>87589JF00</b>	<b>PIASTRA-RIPIANO LISCIO - 1/3 RIGATO</b>	<b>SMOOTH - 1/3 GROVED PLATE</b>	<b>F, H</b>
2	0CB280	5038A3301	FONDO	BOTTOM PANEL	
3	0C8454	85589DS02	CRUSCOTTO	CONTROL PANEL	A, B, C, D
3	*	<b>85589PY00</b>	<b>CRUSCOTTO</b>	<b>CONTROL PANEL</b>	<b>E, F</b>
3	*	<b>85589PZ00</b>	<b>CRUSCOTTO</b>	<b>CONTROL PANEL</b>	<b>G, H</b>
4	0C5917	518818100	PIEDINO	ADJUSTABLE FOOT	
5	*	50489M601	PROTEZIONE ACQUA	WATER PROTECTION	
6	*	50489KS01	COPERTURA GUIDA CASSETTO	DRAWER RUNNER COVER	
7	*	50489KT01	GUIDA CASSETTO	DRAWER RUNNER	
8	<b>0C7331</b>	<b>509805D01</b>	<b>GRIGLIA CAMINO</b>	<b>CHIMNEY GRID</b>	
9	*	50389JX01	SCHIENALE	BACK PANEL	
10	0C7971	50389K001	STRUTTURA LATERALE	INNER SIDE PANEL	
11	0C7381	50389JV02	FIANCO DESTRO	RIGHT SIDE PANEL	
12	0C7970	50389JW02	FIANCO SINISTRO	LEFT SIDE PANEL	
13	0C7209	855899W01	CASSETTO + MANIGLIA	DRAWER + HANDLE	
14	0C6653	50389CM01	MANIGLIA	HANDLE	
15	<b>0C7626</b>	<b>548877P00</b>	<b>GHIERA</b>	<b>KNOB RING</b>	<b>A, B, C, D</b>
15	<b>0C7430</b>	<b>548879Z00</b>	<b>GHIERA</b>	<b>KNOB RING</b>	<b>E, F, G, H</b>
16	<b>0C6670</b>	<b>511850G01</b>	<b>MANOPOLA</b>	<b>KNOB</b>	<b>A, B, C, D</b>
16	<b>0C7232</b>	<b>548878201</b>	<b>MANOPOLA</b>	<b>KNOB</b>	<b>E, F</b>
16	<b>0A5621</b>	<b>548865500</b>	<b>MANOPOLA</b>	<b>KNOB</b>	<b>G, H</b>
17	<b>0C7345</b>	<b>548877V00</b>	<b>ADATTATORE PER MANOPOLA</b>	<b>KNOB ADAPTOR</b>	<b>A, B, C, D</b>
18	<b>0C8700</b>	<b>548877W00</b>	<b>MANOPOLA + ADATTATORE</b>	<b>KNOB + ADAPTOR</b>	<b>A, B, C, D</b>
19	069567	218912211	MOLLETTA FISSAGGIO GHIERA	RING CONNECTION	
20	0C6171	541813800	RONDELLA IN SILICONE	SILICONE WASHER	
21	0C8453	617839F00	RESISTENZA	HEATING ELEMENT	
22	*	50489KR01	FERMO RESISTENZA	HEATING ELEMENT STOPPER	
23	<b>005370</b>	<b>638865101</b>	<b>RESISTENZA DI CADUTA</b>	<b>DROPPING RESISTOR</b>	
24	0F0112	639808600	MORSETTIERA	TERMINAL BOARD	
25	004363	646809500	TERMOSTATO	THERMOSTAT	
26	0A2134	A05400901	REGOLATORE	REGULATOR	
27	0A2205	A05414500	STAFFA UNIONE	ADAPTOR	
28	005010	876800002	LAMPADA VERDE COMPLETA	GREEN LAMP, COMPLETE	
28a	<b>0C2585</b>	<b>660806900</b>	<b>LAMPADINA</b>	<b>BULB</b>	
28b	<b>0C2587</b>	<b>655800100</b>	<b>LENTE VERDE</b>	<b>GREEN LENS</b>	
29	005011	876800102	LAMPADA ARANCIONE COMPLETA	ORANGE LAMP, COMPLETE	
29a	<b>0C0249</b>	<b>660805600</b>	<b>LAMPADINA</b>	<b>BULB</b>	
29b	<b>0C2182</b>	<b>655800200</b>	<b>LENTE ARANCIO</b>	<b>ORANGE LENS</b>	
30	<b>055995</b>	<b>805848202</b>	<b>RASCHIETTO PIASTRA LISCIA</b>	<b>SCRAPER FOR SMOOTH PLATE</b>	
31	<b>056940</b>	<b>830851300</b>	<b>RASCHIETTO PIASTRA RIGATA</b>	<b>SCRAPER FOR RIBBED PLATE</b>	<b>B, D, F, H</b>
32	<b>0C7017</b>	<b>506887401</b>	<b>LAMA PER RASCHIETTO</b>	<b>SCRAPER BLADE</b>	<b>2 PZ / PCS</b>
33	*	<b>634803301</b>	<b>ASSIEME CAVETTI</b>	<b>WIRE HARNESS</b>	<b>A, B</b>
33	*	<b>634805700</b>	<b>ASSIEME CAVETTI CHR</b>	<b>WIRE HARNESS CHR</b>	<b>C, D, E, F, G, H</b>
34	<b>004269</b>	<b>646808102</b>	<b>55.32562.806 LIMITATORE DI TEMPERATURA 360 °C SIC.POSITIVA</b>	<b>55.32562.806 SAFETY THERMOSTAT</b>	<b>C, D, E, F, G, H</b>

NordCap GmbH & Co. KG  
Thalendorststraße 15  
28307 Bremen  
Hauptsitz (Service, Finanzen & Personal, Lager, IT, Marketing)

Telefon: +49 421 48557-0  
Telefax: +49 421 488650  
E-Mail: [bremen@nordcap.de](mailto:bremen@nordcap.de)

Die NordCap Verkaufsniederlassungen in Deutschland:

Nord: Hamburg • Ost: Berlin • Süd: Ingelheim • West: Erkrath

by **NordCap**<sup>®</sup>

**ZANUSSI**  
PROFESSIONAL