

Ersatzteilliste-Explosionszeichnung

Elektro-Multifunktionskocher **EMK7 / 11L**

[Artikel-Nr.: 406372109]

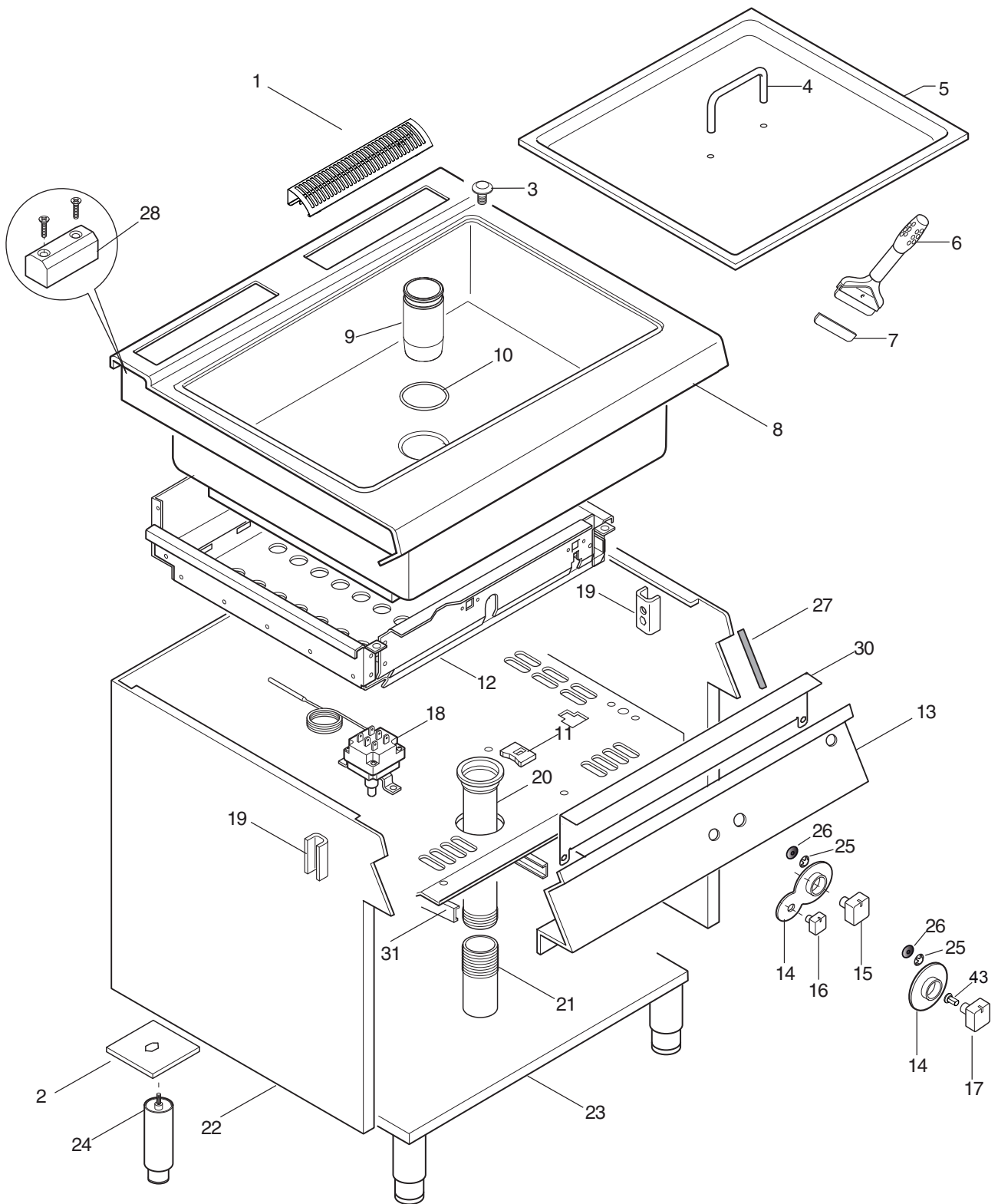


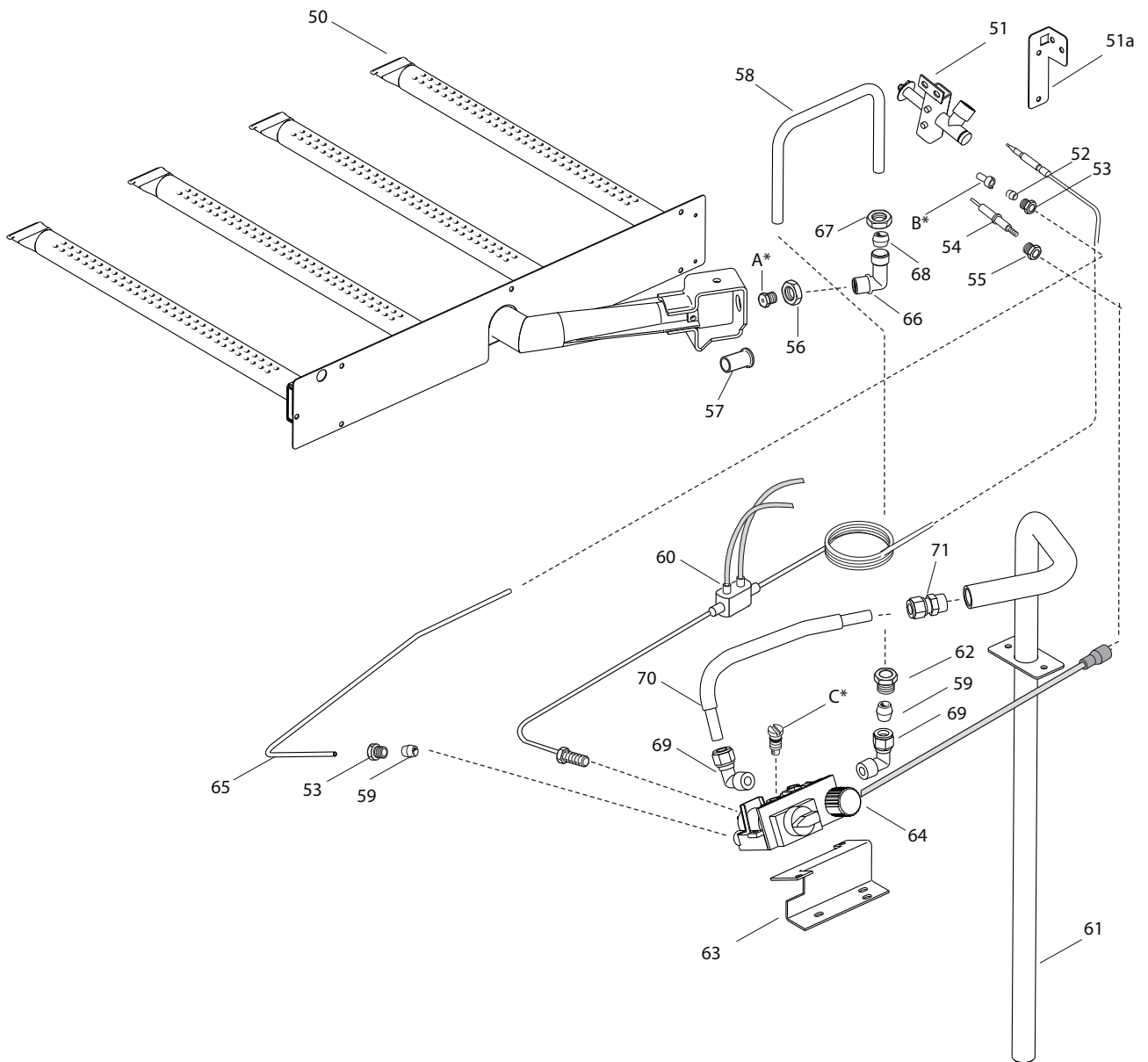
BRASIERA GAS-ELETTRICA VASCA FISSA E700XP
GAS-ELECTRIC BRASING-PAN FIXED TANK E700XP

| PNC | Model | Ref | Pag. | Brand | Version | Notes |
|------------|--------------|------------|-------------|--------------|----------------|---------------------|
| 190017 | E7MFEHDI0N | o | 2-5 | ELX | EL | 22LT COMPOUND 800MM |
| 371105 | E7MFGDDD00 | a | 2-5 | ELX | GAS | 11LT COMPOUND 400MM |
| 371106 | E7MFGHDI00 | b | 2-5 | ELX | GAS | 22LT COMPOUND 800MM |
| 371109 | E7MFEDDD00 | c | 2-5 | ELX | EL | 11LT COMPOUND 400MM |
| 371110 | E7MFEHDI00 | d | 2-5 | ELX | EL | 22LT COMPOUND 800MM |
| 372105 | Z7MFGDDD00 | e | 2-5 | ZAN | GAS | 11LT COMPOUND 400MM |
| 372106 | Z7MFGHDI00 | f | 2-5 | ZAN | GAS | 22LT COMPOUND 800MM |
| 372109 | Z7MFEDDD00 | g | 2-5 | ZAN | EL | 11LT COMPOUND 400MM |
| 372110 | Z7MFEHDI00 | h | 2-5 | ZAN | EL | 22LT COMPOUND 800MM |
| 373105 | A7MFGDDD00 | i | 2-5 | OEM | GAS | 11LT COMPOUND 400MM |
| 373106 | A7MFGHDI00 | l | 2-5 | OEM | GAS | 22LT COMPOUND 800MM |
| 373109 | A7MFEDDD00 | m | 2-5 | OEM | EL | 11LT COMPOUND 400MM |
| 373110 | A7MFEHDI00 | n | 2-5 | OEM | EL | 22LT COMPOUND 800MM |

| Pag | Index | Indice |
|------------|---------------------|----------------------|
| 2 | General Components | Componenti Generali |
| 3 | Gas components | Componenti Gas |
| 4 | Nozzle list | Lista ugelli |
| 5 | Electric components | Componenti Elettrici |
| 6,7 | Spare parts list | Lista ricambi |

Brand/Marchio: All
Factory code: 9PDX





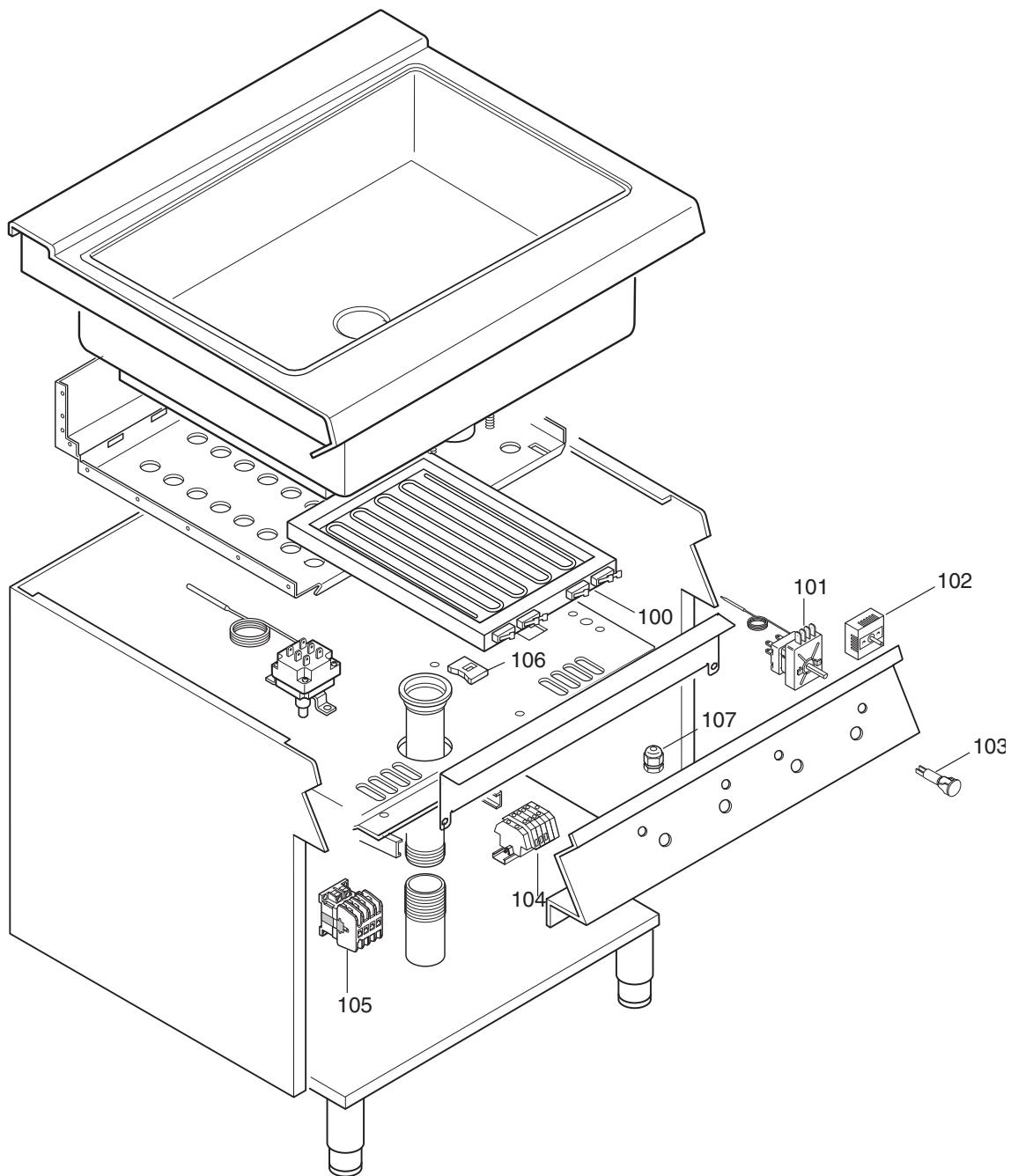
| A - Ugello bruciatore / Burner nozzle 800 mm | | | |
|---|---------------------|--------|--------------|
| 6DGT Code | Ref. / Notes | | |
| 058375 | ø1.90 | 3+3B/P | G30 30mbar |
| 056793 | ø1.80 | 3B/P | G30 37mbar |
| 0A2141 | ø1.65 | 3B/P | G30 50mbar |
| 059383 | ø2.80 | 2H/2E+ | G20 20mbar |
| 0A2174 | ø2.65 | 2H | G20 25mbar |
| 006470 | ø2.95 | 2L | G25 25mbar |
| 059358 | ø2.85 | 2K | G25.3 25mbar |
| 059776 | ø3.15 | 2ELL | G25 20mbar |
| 006470 | ø2.95 | 2S | G25.1 25mbar |
| 056794 | ø7.00 | No CE | G110 8mbar |

| A - Ugello bruciatore / Burner nozzle 400 mm | | | |
|---|---------------------|--------|--------------|
| 6DGT Code | Ref. / Notes | | |
| 002393 | ø1.30 | 3+3B/P | G30 30mbar |
| 0A2101 | ø1.25 | 3B/P | G30 37mbar |
| 059314 | ø1.15 | 3B/P | G30 50mbar |
| 0A2301 | ø1.95 | 2H/2E+ | G20 20mbar |
| 056793 | ø1.80 | 2H | G20 25mbar |
| 058335 | ø2.05 | 2L | G25 25mbar |
| 0A2301 | ø1.95 | 2K | G25.3 25mbar |
| 059418 | ø2.15 | 2ELL | G25 20mbar |
| 058335 | ø2.05 | 2S | G25.1 25mbar |
| 002866 | ø3.90 | No CE | G110 8mbar |

| C - Vite di minimo / Min screw 800 mm | | | |
|--|--------------------|--------|--------------|
| 6DGT Code | Ref./ Notes | | |
| 0C1734 | n°150 | 3+3B/P | G30 30mbar |
| 0C1734 | n°150 | 3B/P | G30 37mbar |
| 006475 | n°130 | 3B/P | G30 50mbar |
| 006472 | n°225 | 2H/2E+ | G20 20mbar |
| 006472 | n°225 | 2H | G20 25mbar |
| 006472 | n°225 | 2L | G25 25mbar |
| 006472 | n°225 | 2K | G25.3 25mbar |
| 006472 | n°225 | 2ELL | G25 20mbar |
| 006472 | n°225 | 2S | G25.1 25mbar |
| - | adjust | No CE | G110 8mbar |

| C - Vite di minimo / Min screw 400 mm | | | |
|--|--------------------|--------|--------------|
| 6DGT Code | Ref./ Notes | | |
| 006467 | n°100 | 3+3B/P | G30 30mbar |
| 006467 | n°100 | 3B/P | G30 37mbar |
| 006466 | n°90 | 3B/P | G30 50mbar |
| 0C1734 | n°150 | 2H/2E+ | G20 20mbar |
| 0C1734 | n°150 | 2H | G20 25mbar |
| 0C1734 | n°150 | 2L | G25 25mbar |
| 0C1734 | n°150 | 2K | G25.3 25mbar |
| 0C1734 | n°150 | 2ELL | G25 20mbar |
| 0C1734 | n°150 | 2S | G25.1 25mbar |
| - | adjust | No CE | G110 8mbar |

| B - Ugello pilota / Pilot nozzle | | | |
|---|--------------------|--------|--------------|
| 6DGT Code | Ref./ Notes | | |
| 058330 | n°25 | 3+3B/P | G30 30mbar |
| 058330 | n°25 | 3B/P | G30 37mbar |
| 058330 | n°25 | 3B/P | G30 50mbar |
| 056656 | n°35 | 2H/2E+ | G20 20mbar |
| 056656 | n°35 | 2H | G20 25mbar |
| 056656 | n°35 | 2L | G25 25mbar |
| 056656 | n°35 | 2K | G25.3 25mbar |
| 056656 | n°35 | 2ELL | G25 20mbar |
| 056656 | n°35 | 2S | G25.1 25mbar |
| 056798 | n°70 | No CE | G110 8mbar |



**GAS BRATT-PAN FIXED TANK E700XP
BRASIERA GAS VASCA FISSA E700XP**

| <i>Pos</i> | <i>Factory Code</i> | <i>Spare Code</i> | <i>Descrizione</i> | <i>Description</i> | <i>Ref./Note</i> |
|------------|---------------------|-------------------|---------------------------------|------------------------------------|---------------------|
| 1 | 50389LP00 | 0C7333 | GRIGLIA CAMINO | GRID FOR CHIMNEY | |
| 2 | 508898900 | 0C0122 | PIASTRA DI RINFORZO | STIFFENING PLATE, FOOT | |
| 3 | 548877V00 | 0C7345 | ADATTATORE MANOPOLA | KNOB ADAPTER | ELX |
| 4 | 511813800 | 004496 | MANIGLIA COPERCHIO | HANDLE, LID | |
| 5 | F921689 | * | COPERCHIO 400 mm | LID 400 mm | |
| 5 | F921690 | * | COPERCHIO 800 mm | LID 800 mm | |
| 6 | 805848204 | 055995 | RASCHIETTO | SCRAPER | F164255 |
| 7 | 506887401 | 0C7017 | LAMA PER RASCHIETTO | BLADE FOR SCRAPER | |
| 7 | * | 006469 | LAMA ARROTONDATA PER RASCHIETTO | BLADE WITH ROUND SIDES FOR SCRAPER | F921694 |
| 8 | 873859800 | 0C2648 | RIPIANO VASCA 1/2 M | TANK 1/2 M | ELX - GAS |
| 8 | 87589A000 | 0C7932 | RIPIANO VASCA 1/2 M | TANK 1/2 M | ZAN, OEM - GAS |
| 8 | 87589A100 | 0C7933 | RIPIANO VASCA 1 M | TANK 1 M | ELX - GAS |
| 8 | 875899Z00 | 0C7931 | RIPIANO VASCA 1 M | TANK 1 M | ZAN, OEM - GAS |
| 8 | 87589A500 | 0C7936 | RIPIANO VASCA 1/2 M | TANK 1/2 M | ELX - EL |
| 8 | 87589A600 | 0C7937 | RIPIANO VASCA 1/2 M | TANK 1/2 M | ZAN, OEM - EL |
| 8 | 87589A200 | 0C7934 | RIPIANO VASCA 1 M | TANK 1 M | ELX - EL |
| 8 | 87589A300 | 0C7935 | RIPIANO VASCA 1 M | TANK 1 M | ZAN, OEM - EL |
| 9 | 541813D01 | 0C9001 | TAPPO PER VASCA TEFLON | PLUG, TEFLON | Up to 2022/05 |
| 9 | 541813D02 | 0CBAF1 | TAPPO PER VASCA TEFLON | PLUG, TEFLON | From 2022/06 |
| 10 | 543827300 | 006406 | ANELLO OR | OR | |
| 11 | 508891101 | * | PIASTRINA FISSAGGIO BRASIERA | PLATE TO FIX BRATT PAN | |
| 12 | 532852600 | * | CAMERA COMBUSTIONE 1/2 M | COMBUSTION CHAMBER 1/2 M | |
| 12 | 50489D501 | * | CAMERA COMBUSTIONE 1 M | COMBUSTION CHAMBER 1 M | |
| 13 | 85089CP00 | 0C7658 | CRUSCOTTO 1/2 M | CONTROL PANEL 1/2 M | ELX - GAS |
| 13 | 85089GR00 | 0C7885 | CRUSCOTTO 1/2 M | CONTROL PANEL 1/2 M | ZAN - GAS |
| 13 | 50389RH00 | 0C8095 | CRUSCOTTO 1/2 M | CONTROL PANEL 1/2 M | OEM - GAS |
| 13 | 85089CR00 | 0C7816 | CRUSCOTTO 1 M | CONTROL PANEL 1 M | ELX - GAS |
| 13 | 85089GP00 | 0C7883 | CRUSCOTTO 1 M | CONTROL PANEL 1 M | ZAN - GAS |
| 13 | 50389RK00 | 0C8097 | CRUSCOTTO 1 M | CONTROL PANEL 1 M | OEM - GAS |
| 13 | 85089CQ00 | 0C7736 | CRUSCOTTO 1/2 M | CONTROL PANEL 1/2 M | ELX - EL |
| 13 | 85089GQ00 | 0C7884 | CRUSCOTTO 1/2 M | CONTROL PANEL 1/2 M | ZAN - EL |
| 13 | 50389RG00 | 0C8094 | CRUSCOTTO 1/2 M | CONTROL PANEL 1/2 M | OEM - EL |
| 13 | 85089CS00 | 0C7882 | CRUSCOTTO 1 M | CONTROL PANEL 1 M | ELX - EL |
| 13 | 85089GR00 | 0C7885 | CRUSCOTTO 1 M | CONTROL PANEL 1 M | ZAN - EL |
| 13 | 50389RJ00 | 0C8096 | CRUSCOTTO 1 M | CONTROL PANEL 1 M | OEM - EL |
| 14 | 548877400 | 0C7342 | GHIERA VALVOLA GAS | KNOB RING, GAS VALVE | ELX - Gas |
| 14 | 548879900 | 0C7429 | GHIERA VALVOLA GAS | KNOB RING, GAS VALVE | ZAN, OEM - GAS |
| 14 | 548877T00 | 0C7344 | GHIERA REGOLATORE ENERGIA | KNOB RING, ENERGY REGULATOR | ELX - EL |
| 14 | 54887A100 | 0C7533 | GHIERA REGOLATORE ENERGIA | KNOB RING, ENERGY REGULATOR | ZAN, OEM -EL |
| 14 | 548877P00 | 0C7626 | GHIERA INTERRUETTORE | KNOB RING, SWITCH | ELX - EL |
| 14 | 548879Z00 | 0C7430 | GHIERA INTERRUETTORE | KNOB RING, SWITCH | ZAN, OEM -EL |
| 15 | 511850D02 | 0C7330 | MANOPOLA VALVOLA GAS | KNOB, GAS VALVE | ELX - GAS |
| 15 | 548877Z01 | 0C7179 | MANOPOLA VALVOLA GAS | KNOB, GAS VALVE | ZAN - GAS |
| 15 | 548872700 | 0C5252 | MANOPOLA VALVOLA GAS | KNOB, GAS VALVE | OEM - GAS |
| 16 | 548863303 | 0C2021 | MANOPOLA ACCENDITORE | KNOB, IGNITION | ELX - GAS |
| 16 | 548878303 | 0C7181 | MANOPOLA ACCENDITORE | KNOB, IGNITION | ZAN - GAS |
| 16 | 548856603 | 0C0190 | MANOPOLA ACCENDITORE | KNOB, IGNITION | OEM - GAS |
| 17 | 511850G01 | 0C6670 | MANOPOLA | KNOB | ELX - EL |
| 17 | 548878201 | 0C7232 | MANOPOLA | KNOB | ZAN - EL |
| 17 | 548865500 | 0A5621 | MANOPOLA | KNOB | OEM - EL |
| 18 | 646808102 | 004269 | TERMOSTATO DI SICUREZZA | SAFETY THERMOSTAT | |
| 19 | 527850500 | 0C0156 | PIASTRINA FISSAGGIO FIANCHI | SIDE PANEL JOINTING PLATE | |
| 20 | 806811601 | 0C2831 | TUBO SCARICO VASCA | PIPE, DRAIN TANK | |
| 21 | 830884901 | 0C2832 | PROLUNGA PER TUBO | PIPE EXTENSION | |

From sr. Nr/ Da Ser. Nr.: 116

Page: 6 Ed. 2021 11

Doc. Nr.: **059785FL00**

GAS BRATT-PAN FIXED TANK E700XP
BRASIERA GAS VASCA FISSA E700XP

| <i>Pos</i> | <i>Factory Code</i> | <i>Spare Code</i> | <i>Descrizione</i> | <i>Description</i> | <i>Ref./Note</i> |
|------------|---------------------|-------------------|--------------------------------|--------------------------|------------------|
| 22 | 85089FD00 | * | RIVESTIMENTO LATERALE 400 mm | EXTERNAL PANEL 400 mm | ELX |
| 22 | 85089FH00 | * | RIVESTIMENTO LATERALE 400 mm | EXTERNAL PANEL 400 mm | ZAN, OEM |
| 22 | 85089FF00 | * | RIVESTIMENTO LATERALE 800 mm | EXTERNAL PANEL 800 mm | ELX |
| 22 | 85089FJ00 | * | RIVESTIMENTO LATERALE 800 mm | EXTERNAL PANEL 800 mm | ZAN, OEM |
| 23 | 532824600 | * | FONDO 1/2 M | BOTTOM 1/2 M | |
| 23 | 532824700 | * | FONDO 1 M | BOTTOM 1 M | |
| 24 | 835856900 | 0C0204 | PIEDE | FOOT | |
| 25 | 0218912211 | 069567 | MOLLETTA PER GHIERA | SPRING, KNOB RING | |
| 26 | 0541813800 | 0C6171 | RONDELLA SILICONE | SILICONE GASKET | |
| 27 | 0543851900 | 0C2496 | GUARNIZIONE | GASKET | |
| 28 | 0516860702 | 0C0137 | PIASTRA DI GIUNZIONE | JOINTING REAR PLATE | |
| 29 | 0538823300 | * | FONDO INTERMEDIO 1/2M | INTERMEDIATE BOTTOM 1/2M | |
| 29 | 0538823500 | * | FONDO INTERMEDIO 1M | INTERMEDIATE BOTTOM 1M | |
| 30 | 0532853400 | * | TRAVERSA 1/2M | CROSSPIECE 1/2M | |
| 30 | 0532853300 | * | TRAVERSA 1M | CROSSPIECE 1M | |
| 31 | 0533839303 | 0C2716 | GUIDA PER BACINELLA | RUNNER FOR BASIN | |
| 50 | 0856801402 | 0C4416 | BRUCIATORE 1/2 M | BURNER 1/2 M | |
| 50 | 0856801302 | 0C4415 | BRUCIATORE 1 M | BURNER 1 M | |
| 51 | 0830894900 | 0C0494 | BRUCIATORE PILOTA | PILOT BURNER | |
| 51a | 0527895200 | * | SUPPORTO PILOTA | PILOT SUPPORT PLATE | |
| 52 | 0515827401 | 053665 | BICONO | DOUBLE CONE | |
| 53 | 0214164400 | 052125 | RACCORDO | CONNECTION | |
| 54 | 0830897000 | 0C0488 | ELETTRODO DI ACCENSIONE | ELECTRODE | |
| 55 | 0214164101 | 057960 | RACCORDO | CONNECTION | |
| 56 | 0214105101 | 020997 | CONTRODADO | LOCK NUT | |
| 57 | 0515885500 | 058302 | AREATORE | AREATOR | |
| 58 | 0806861700 | 0C4410 | CONDUTTURA VALVOLA BRUC.1/2 M | VALVE-BURNER PIPE 1/2 M | |
| 58 | 0806862700 | 0C4411 | CONDUTTURA VALVOLA BRUC.1 M | VALVE-BURNER PIPE 1 M | |
| 59 | 0215199700 | 052127 | BICONO | DOUBLE CONE | |
| 60 | 0831818901 | 0C3162 | TERMOCOPPIA INTERROTTA | INTERRUPTED THERMOCOUPLE | |
| 61 | 080589AV00 | 0C8098 | RIBALTA 1/2 M | MANIFOLD 1/2 M | |
| 61 | 0806862602 | 0C6791 | RIBALTA 1 M | MANIFOLD 1 M | |
| 63 | 0530825001 | * | SUPPORTO VALVOLA | VALVE SUPPORT | |
| 64 | 0835851301 | 0C5245 | VALVOLA GAS MERTIK | MERTIK GAS VALVE | |
| 65 | 0517896902 | 0C3088 | CONDUTTURA PILOTA 1/2 M | PILOT PIPE 1/2 M | |
| 65 | 0517896801 | 0C3089 | CONDUTTURA PILOTA 1 M | PILOT PIPE 1 M | |
| 66 | 0511805801 | 059375 | PORTAUGELLO | INJECTOR HOLDER | |
| 67 | 0514829301 | 0A2125 | DADO PER TUBO D10 | PIPE NUT D10 | |
| 68 | 0215073101 | 060325 | BICONO | DOUBLE CONE | |
| 69 | 0A05173300 | 0A2136 | RACCORDO DI ESTREMITA' | ELBOW CONNECTION | |
| 70 | 0806825300 | 0C0704 | CONDUTTURA FLESSIBILE | FLEXIBLE PIPE | |
| 71 | 0A05001000 | 056832 | RACCORDO DI ESTREMITA' DIRITTO | CONNECTION | |
| 100 | 0617821403 | 005942 | RESISTENZA 5 KW | HEATING ELEMENT 5 KW | |
| 101 | 0646805801 | 002109 | INTERRUTTORE TERMOSTATATO | SWITCH | |
| 102 | 0699802200 | 0C1605 | REGOLATORE DI ENERGIA | ENERGY REGULATOR | |
| 103 | 0876800002 | 005010 | LAMPADA SPIA VERDE | GREEN LAMP | |
| 103 | 0876800102 | 005011 | LAMPADA SPIA ARANCIO | ORANGE LAMP | |
| 104 | 0A05714000 | 058613 | MORSETTIERA | MAIN TERMINAL BOARD | |
| 105 | 0648807400 | 006879 | CONTATTORE | CONTACTOR | |
| 106 | 0508891101 | * | PIASTRINA FISSAGGIO BRASIERA | PLATE TO FIX BRATT PAN | |
| 107 | 0544802300 | 0C0068 | PRESSACAVO | TIGHTENER CORD | |

**GAS BRATT-PAN FIXED TANK E700XP
BRASIERA GAS VASCA FISSA E700XP**

| <i>Pos</i> | <i>Factory Code</i> | <i>Spare Code</i> | <i>Descrizione</i> | <i>Description</i> | <i>Ref./Note</i> |
|--|---------------------|-------------------|--------------------|--------------------|-------------------|
| From sr. Nr/ Da Ser. Nr.: 116 Page: 7 Ed. 2015 12 | | | | Doc. Nr.: | 059785FL00 |

Finanzen/Service

28307 Bremen
Thalendorststraße 15
Tel.+49 421 48557-0
Fax+49 421 488650
bremen@nordcap.de

Vertrieb Ost

12681 Berlin
Wolfener Straße 32/34, HausK
Tel.+49 30 936684-0
Fax+49 30 936684-44
berlin@nordcap.de

Vertrieb West

40699 Erkrath
Max-Planck-Straße 30
Tel.+49 211 540054-0
Fax+49 211 540054-54
erkrath@nordcap.de

Vertrieb Nord

21079 Hamburg
Großmoorbogen 5
Tel.+49 40 766183-0
Fax+49 40 770799
hamburg@nordcap.de

Vertrieb Süd

55218 Ingelheim
Hermann-Bopp-Straße 4
Tel.+49 6132 7101-0
Fax+49 6132 7101-20
ingelheim@nordcap.de



www.nordcap.de