

Ersatzteilliste-Explosionszeichnung

Elektro-Fritteuse EF7 / 2B14L

[Artikel-Nr.: 406372085]

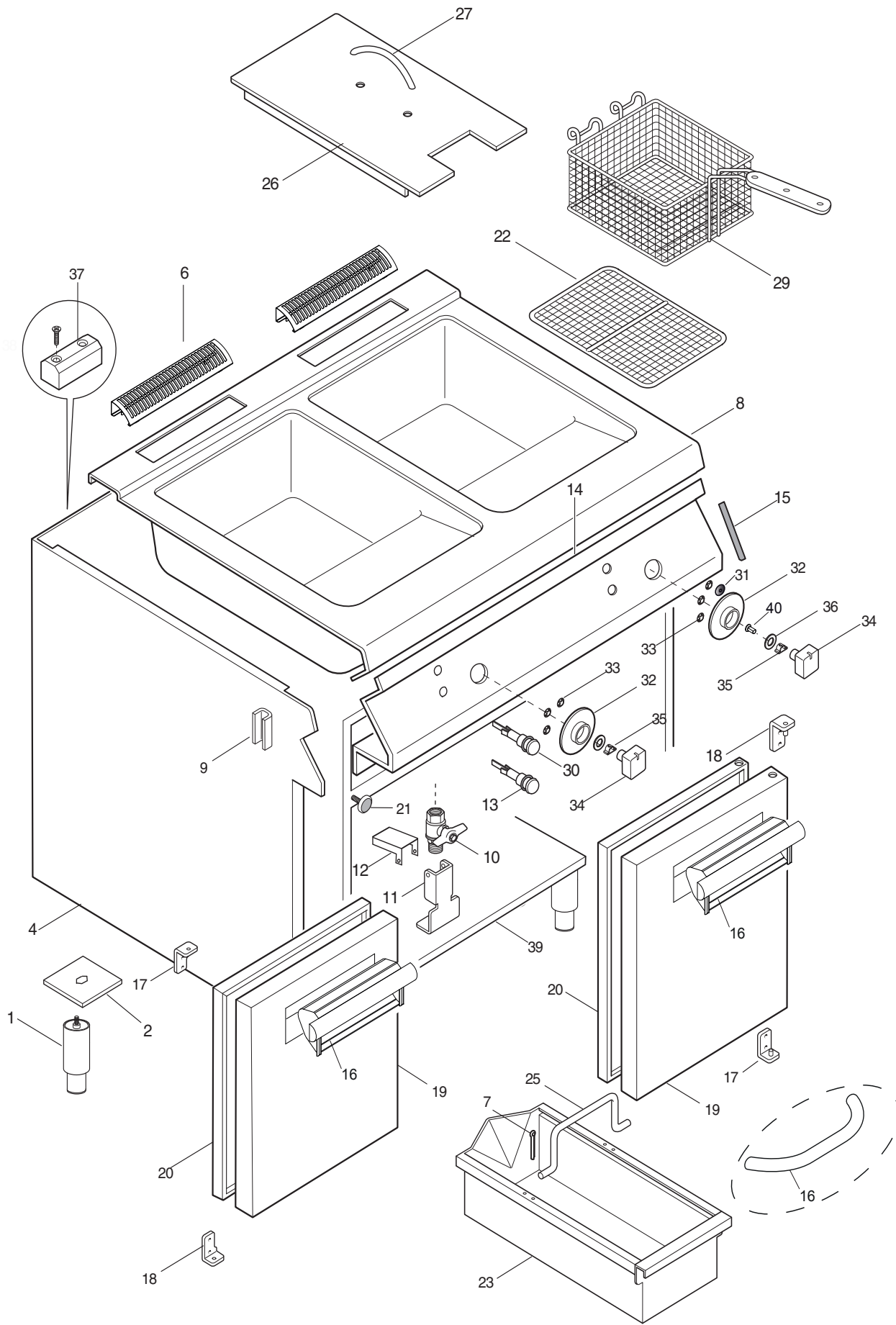


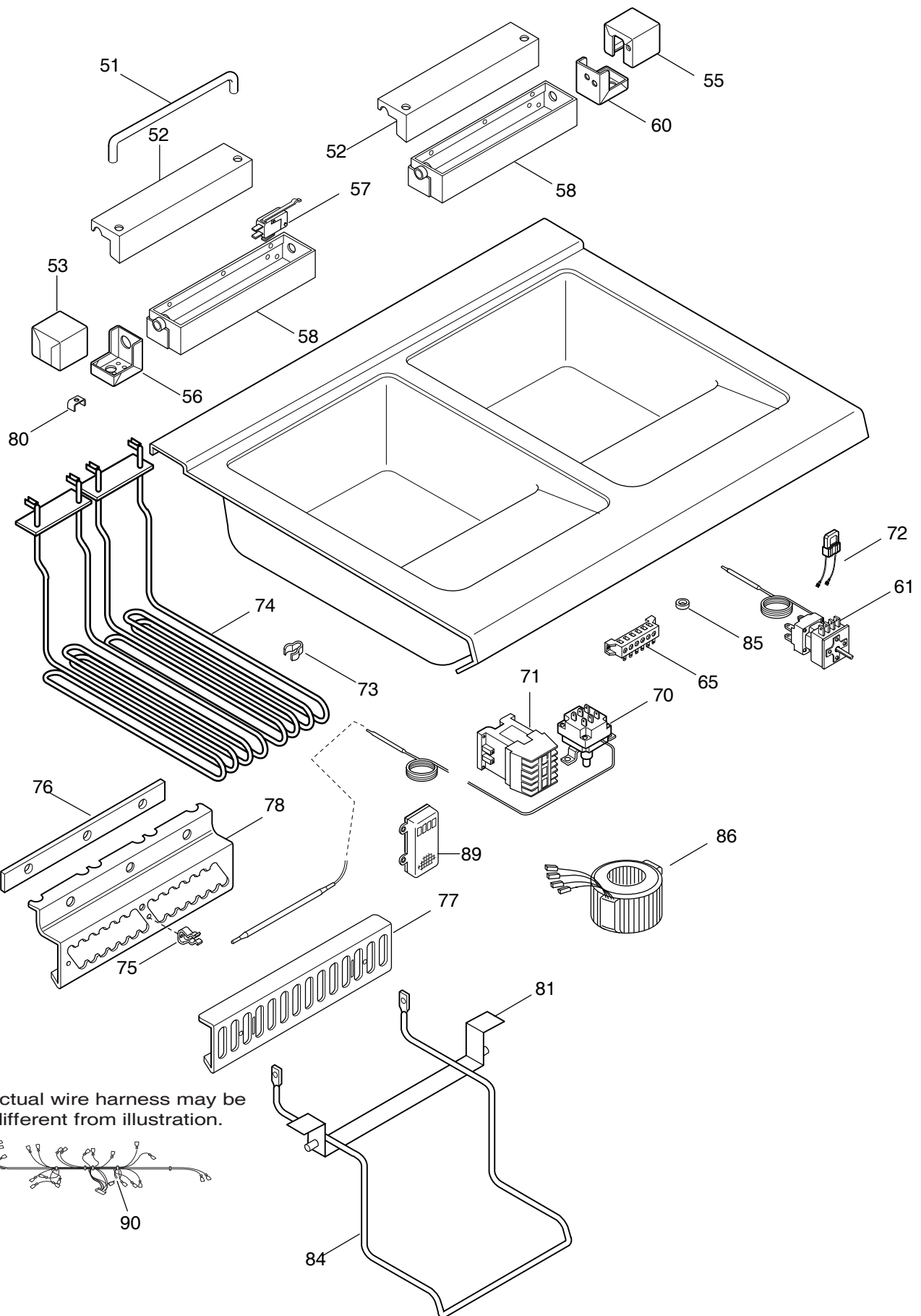
**FRIGGITRICI ELETTRICHE 14L E700XP
ELECTRIC FRYERS 14L E700XP**

PNC	Model	Ref	Pag.	Brand	Version	Notes
371084	E7FRED1FF0	a	2,3	ELX	EL	14 LITRE 400 MM
371085	E7FREH2FF0	b	2,3	ELX	EL	2X14 LITRE 800 MM
371144	E7FREH2FFN	c	2,3	ELX	EL	2X14 LITRE 800 MM-230V
371162	E7FRMD1FF5	d	2,3	ELX	EL	14 LT 400 MM-MARINE 400V
371163	E7FRMD1FF6	e	2,3	ELX	EL	14 LT 400 MM-MARINE 440V
371164	E7FRMH2FF5	f	2,3	ELX	EL	2X14 LITRE 800MM-MARINE 400V
371165	E7FRMH2FF6	g	2,3	ELX	EL	2X14 LITRE 800MM-MARINE 440V
372084	Z7FRED1FF0	h	2,3	ZAN	EL	14 LITRE 400 MM
372085	Z7FREH2FF0	i	2,3	ZAN	EL	2X14 LITRE 800 MM
372144	Z7FREH2FFN	l	2,3	ZAN	EL	2X14 LITRE 800 MM-230V
373084	A7FRED1FF0	m	2,3	OEM	EL	14 LITRE 400 MM
373085	A7FREH2FF0	n	2,3	OEM	EL	2X14 LITRE 800 MM
373144	A7FREH2FFN	o	2,3	OEM	EL	2X14 LITRE 800 MM-230V
373163	L7FRMD1FF5	j	2,3	LOIPART	EL	14LT ELECTRIC FRYER 400MM, LOIPART
373165	L7FRMH2FF5	k	2,3	LOIPART	EL	2X14 LITRE ELECTRIC FRYER 800MM, LOIPART

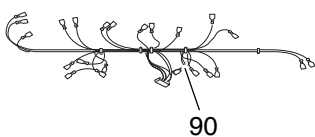
Pag	Index	Indice	Note
2	General components	Componenti struttura	
3	Electric components	Componenti Elettrici	
4,5	Spare parts list	Lista ricambi	

Brand/Marchio: All
Factory code: 9PDX





Actual wire harness may be different from illustration.



**FRIGGITRICI ELETTRICHE 14L E700XP
ELECTRIC FRYERS 14L E700XP**

<i>Pos</i>	<i>Factory Code</i>	<i>Spare Part Code</i>	<i>Descrizione</i>	<i>Description</i>	<i>Ref./Note</i>
			Pagina 2	Page 2	
1	835856900	0C0204	PIEDE	FOOT	
2	508898900	0C0122	PIASTRA DI RINFORZO PIEDE	PLATE FOR FOOT	
4	85089FD01	*	RIVESTIMENTO LATERALE 400mm	EXTERNAL PANEL 400MM	ELX
4	85089FH01	*	RIVESTIMENTO LATERALE 400mm	EXTERNAL PANEL 400MM	ZAN, OEM
4	85089FF01	*	RIVESTIMENTO LATERALE 800mm	EXTERNAL PANEL 800MM	ELX
4	85089FJ01	*	RIVESTIMENTO LATERALE 800mm	EXTERNAL PANEL 800MM	ZAN, OEM
6	50389LP00	0C7333	GRIGLIA CAMINO	GRATE FOR CHIMNEY	
7	219293205	0C0477	COPIGLIA	COTTER	
8	85589BY00	0C7765	RIPIANO/VASCA 400MM	WORKTOP/TANK 400 MM	ELX
8	87089LL00	0C7789	RIPIANO/VASCA 400MM	WORKTOP/TANK 400 MM	ZAN, OEM
8	85589BZ00	0C7766	RIPIANO/VASCA 800MM	WORKTOP/TANK 800 MM	ELX
8	87089LP00	0C7792	RIPIANO/VASCA 800MM	WORKTOP/TANK 800 MM	ZAN, OEM
9	527850500	0C0156	PIASTRA FISSAGGIO FIANCHI	SIDE PANEL JOINTING PLATE	
10	835848600	005927	VALVOLA SCARICO	DRAIN VALVE	
11	525885100	0C0763	PROTEZIONE LEVA SCARICO	PROTECTION,DRAIN LEVER	
12	508883202	0C0764	SUPPORTO PROTEZIONE LEVA	SUPPORT,PROTECTION DRAIN	
13	876800102	005011	LAMPADA SPIA GIALLA	YELLOW LAMP	
14	85589AK02	0C7740	CRUSCOTTO 400MM	CONTROL PANEL 400MM	ELX
14	85589B602	0C7749	CRUSCOTTO 400MM	CONTROL PANEL 400MM	ELX MARINE
14	87089J600	0C7517	CRUSCOTTO 400MM	CONTROL PANEL 400MM	ZAN, OEM
14	80083F600	0CBAX4	CRUSCOTTO 400MM	CONTROL PANEL 400MM	LOIPART MARINE
14	85589AL02	0C7741	CRUSCOTTO 800MM	CONTROL PANEL 800MM	ELX
14	85589B702	0C7750	CRUSCOTTO 800MM	CONTROL PANEL 800MM	ELX MARINE
14	87089J101	0C7516	CRUSCOTTO 800MM	CONTROL PANEL 800MM	ZAN
14	800838P00	*	CRUSCOTTO 800MM	CONTROL PANEL 800MM	OEM
14	80083F800	0CBAX6	CRUSCOTTO 800MM	CONTROL PANEL 800MM	LOIPART MARINE
15	543821900	0C2496	GUARNIZIONE CRUSCOTTO	GASKET, CONTROL PANEL	
16	543821900	0C2496	MANIGLIA	HANDLE	ELX
16	54887A802	0C8190	MANIGLIA	HANDLE	ZAN
16	854864203	0A5021	MANIGLIA	HANDLE	OEM
17	516860801	0C0138	CERNIERA	HINGE,DOOR	
18	516860901	0C0139	CERNIERA	HINGE,DOOR	
19	50389G300	0C7157	PORTA	DOOR	ELX, ZAN
19	50389MB01	*	PORTA	DOOR	OEM
20	50489CQ00	0C7158	CONTROPORTA	INNER DOOR	
*	85589CT01	0C7163	ASSIEME PORTA	DOOR ASSEMBLY	ELX
*	85589CU05	0C7165	ASSIEME PORTA	DOOR ASSEMBLY	ZAN
*	85589CV02	0C7627	ASSIEME PORTA	DOOR ASSEMBLY	OEM
21	830898200	0C0201	MAGNETE	MAGNET	
22	830885400	005965	GRIGLIA DI FONDO	GRATE FOR BOTTOM	
23	502898403	005922	BACINELLA OLIO	BASIN FOR OIL	
25	516843003	005922	MANIGLIA BACINELLA	HANDLE, BASIN	
26	522894601	0C2702	COPERCHIO	LID	
27	511819000	0C0614	MANIGLIA COPERCHIO	HANDLE, LID	
29	830822603	005933	CESTELLO INTERO	FULL SIZE BASKET	
30	876800002	005010	LAMPADA SPIA VERDE	GREEN LAMP	
31	541813800	0C6171	RONDELLA SILICONE	SILICONE WASHER	
32	548877L00	0C7481	GHIERA	RING, KNOB	ELX
32	548879W00	0C7485	GHIERA	RING, KNOB	ZAN, OEM
33	218912211	069567	MOLLA PER GHIERA	SPRING, RING KNOB	

**FRIGGITRICI ELETTRICHE 14L E700XP
ELECTRIC FRYERS 14L E700XP**

<i>Pos</i>	<i>Factory Code</i>	<i>Spare Part Code</i>	<i>Descrizione</i>	<i>Description</i>	<i>Ref./Note</i>
34	511850G01	0C6670	MANOPOLA	KNOB	ELX
*	548877V00	0C7345	ADATTATORE MANOPOLA	KNOB, ADAPTER	ELX
34	548878201	0C7232	MANOPOLA	KNOB	ZAN
34	548865500	0A5621	MANOPOLA	KNOB	OEM
35	214590701	025245	MOLLETTA PER MANOPOLA	SPRING, KNOB	
36	543821000	053816	GUARNIZIONE PER MANOPOLA	GASKET, KNOB	
37	516860702	0C0137	PIASTRA GIUNZIONE APPARECC.	JOINTING REAR PLATE	
39	532824600	*	FONDO VANO 400MM	BOTTOM 400MM	
39	532824700	*	FONDO VANO 800MM	BOTTOM 400MM	
40	548877V00	0C7345	ADATTATORE MANOPOLA	KNOB ADAPTER	
			Pagina 3	Page 3	
51	516880800	0C2578	SUPPORTO CESTELLI	SUPPORT, BASKET	
52	522894400	0C2942	COPERCHIO SCATOLA RESISTENZE	COVER, HEATING ELEMENTS BOX	
53	528851500	0C2943	COPERTURA SINISTRA	LEFT END COVER	
55	528851400	0C2944	COPERTURA DESTRA	RIGHT END COVER	
56	528851101	0C2945	SUPPORTO SINISTRO RESISTENZE	LEFT SUPPORT, HEAT.ELEMENT	
57	640803300	002785	MICROINTERRUTTORE	MICROSWITCH	
58	853892402	0C2947	SCATOLA RESISTENZE	HEATING ELEMENTS BOX	
60	528851001	0C2946	SUPPORTO DESTRO RESISTENZE	SAFETY THERMOSTAT	
61	446578713	052330	INTERRUTTORE CON THERMOSTATO	SWITCH WITH THERMOSTAT	
65	A05714000	058613	MORSETTIERA	TERMINAL BOARD	
65	639805100	058873	MORSETTIERA	TERMINAL BOARD	MARINE
65	639808600	0F0112	MORSETTIERA	TERMINAL BOARD	800MM 230V
70	646808800	004472	THERMOSTATO DI SICUREZZA	SAFETY THERMOSTAT	
71	648807400	006879	CONTATTORE	CONTACTOR	
72	694801500	003551	SNUBBER	SNUBBER	
73	214582200	052262	MOLLETTA FISSAGGIO CAPILLARI	SPRING, FIX CAPILLARY	
74	617831800	0C2616	RESISTENZA 230V 2900W	HEATING ELEMENT 230V 2900W	a,b,c,d,f,h,i,l,m,n,o
74	617834A00	0C6275	RESISTENZA 254V 2900W	HEATING ELEMENT 254V 2900W	e, g, j, k
75	506879501	056330	FASCETTA FISS.BULBO LIMITATORE	CAPILLARY SUPPORT	Up to
76	525885501	0C0052	TRAVERSINO	CROSSBAR	
77	522806402	0C0054	GUIDA ANTERIORE RESISTENZE	FRONTAL RUNNER HEAT ELEMENT	
78	522806202	0C0053	GUIDA POSTERIORE RESISTENZE	REAR BURNER HEATING ELEMENT	
80	506873801	002505	PIASTRINA	PLATE	
81	805847002	005366	SUPPORTO STAFFA	SUPPORT HOLDER	
84	516883101	0C2581	STAFFA PER RESISTENZE	HOLDER FOR HEATING ELEMENT	
85	544802300	0C0068	PRESSACAVO	SCREW CABLE GLAND	
86	624806700	006710	AUTOTRASFORMATORE	TRASFORMER	MARINE
89	675800503	055368	BUZZER	BUZZER	MARINE
89	675401000	OCA485	BUZZER	BUZZER	up to 5461... MARINE from 5471...
90	638857906	0C4918	ASSIEME CABLAGGIO	WIRING HARNESS	a,h,m
90	638858007	0C5456	ASSIEME CABLAGGIO	WIRING HARNESS	b,i,n
90	638866605	*	ASSIEME CABLAGGIO	WIRING HARNESS	c,l,o
90	638899B02	*	ASSIEME CABLAGGIO	WIRING HARNESS	d,e,j
90	638899A02	*	ASSIEME CABLAGGIO	WIRING HARNESS	f,g,k

**FRIGGITRICI ELETTRICHE 14L E700XP
ELECTRIC FRYERS 14L E700XP**

<i>Pos</i>	<i>Factory Code</i>	<i>Spare Part Code</i>	<i>Descrizione</i>	<i>Description</i>	<i>Ref./Note</i>

Finanzen/Service

28307 Bremen
Thalendorststraße 15
Tel.+49 421 48557-0
Fax+49 421 488650
bremen@nordcap.de

Vertrieb Ost

12681 Berlin
Wolfener Straße 32/34, HausK
Tel.+49 30 936684-0
Fax+49 30 936684-44
berlin@nordcap.de

Vertrieb West

40699 Erkrath
Max-Planck-Straße 30
Tel.+49 211 540054-0
Fax+49 211 540054-54
erkrath@nordcap.de

Vertrieb Nord

21079 Hamburg
Großmoorbogen 5
Tel.+49 40 766183-0
Fax+49 40 770799
hamburg@nordcap.de

Vertrieb Süd

55218 Ingelheim
Hermann-Bopp-Straße 4
Tel.+49 6132 7101-0
Fax+49 6132 7101-20
ingelheim@nordcap.de



www.nordcap.de