

# Ersatzteilliste-Explosionszeichnung

## Gläserpülmaschine **ZSDICWG**

[Art. 406402237]



**LAVATAZZINE  
GLASSWASHERS**

**ESDI..ESIC..ESSIC..NSIC..VSIC..XSIC..ZSDI..ZSIC..ZSSIC..**

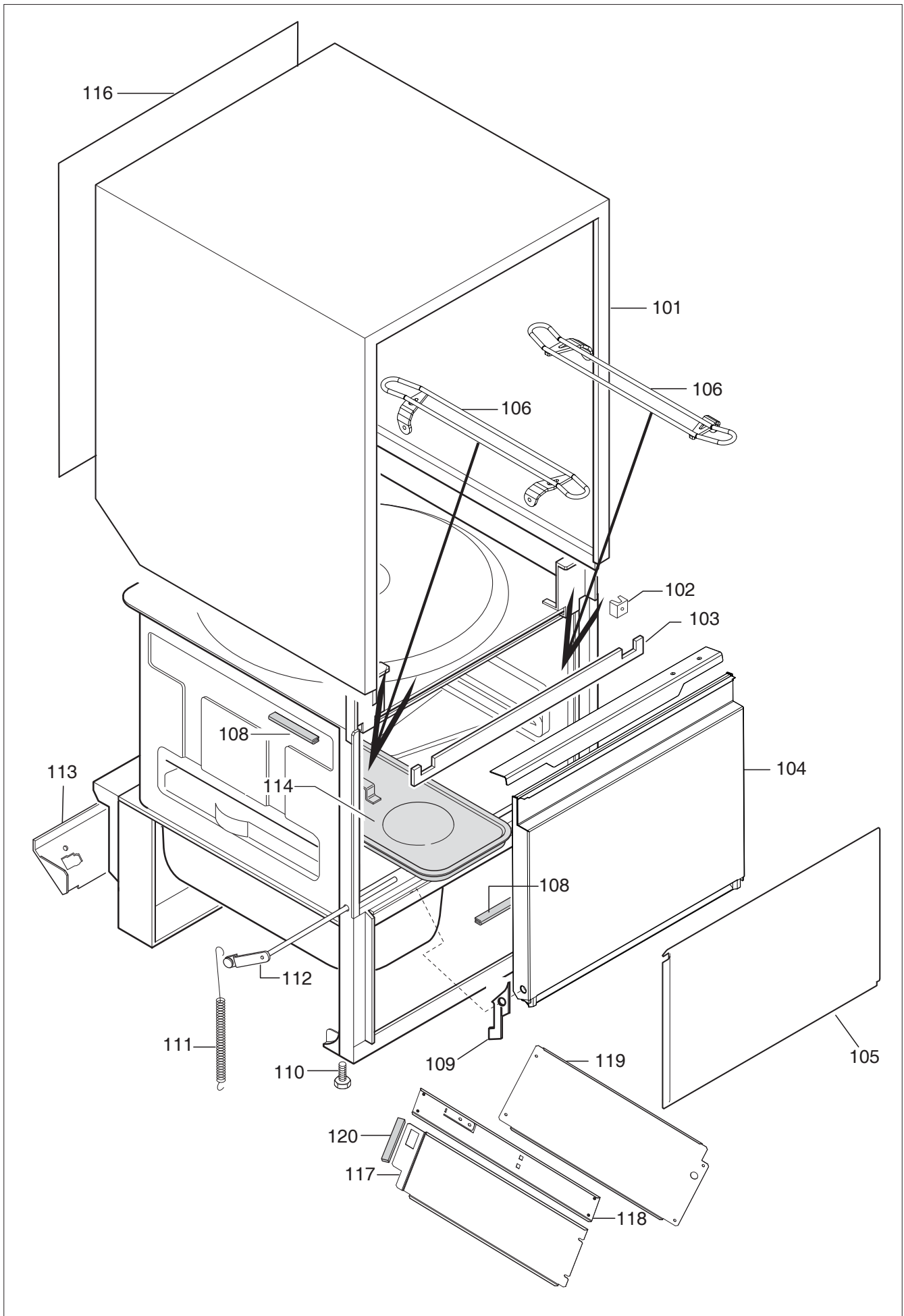
Code	Type	Ref.	Code	Type	Ref.
402174	VSICGBMS	a	402225	ESDICWGB	s
402208	ESSIC	b	402226	ESDICWGBU	t
402209	ESSICW	c	402227	ESDICG	u
402210	ESSICWP	d	402228	ESDICWG	v
402211	ESSICWPB	e	402229	ESDICGTL	w
402212	ESSICP3	f	402230	ESDIACG	x
402213	ZSSIC	g	402231	ZSICGMS	y
402214	ZSSICWP	h	402232	ZSIC	z
402215	ESIC	i	402233	ZSICW	a1
402216	ESICG	j	402234	ZSICWP	a2
402217	ESICW	k	402235	ZSICWG	a3
402218	ESICWP	l	402236	ZSDICG	a4
402219	ESICWP6	m	402237	ZSDICWG	a5
402220	ESICWG	n	402238	ZSDIACG	a6
402221	ESICWPB	o	402239	NSICW	a7
402222	ESICP3	p	402240	VSICG	a8
402223	ESDICG3	q	402241	VSICWG	a9
402224	ESICWPB6	r	402242	XSICGB	b1

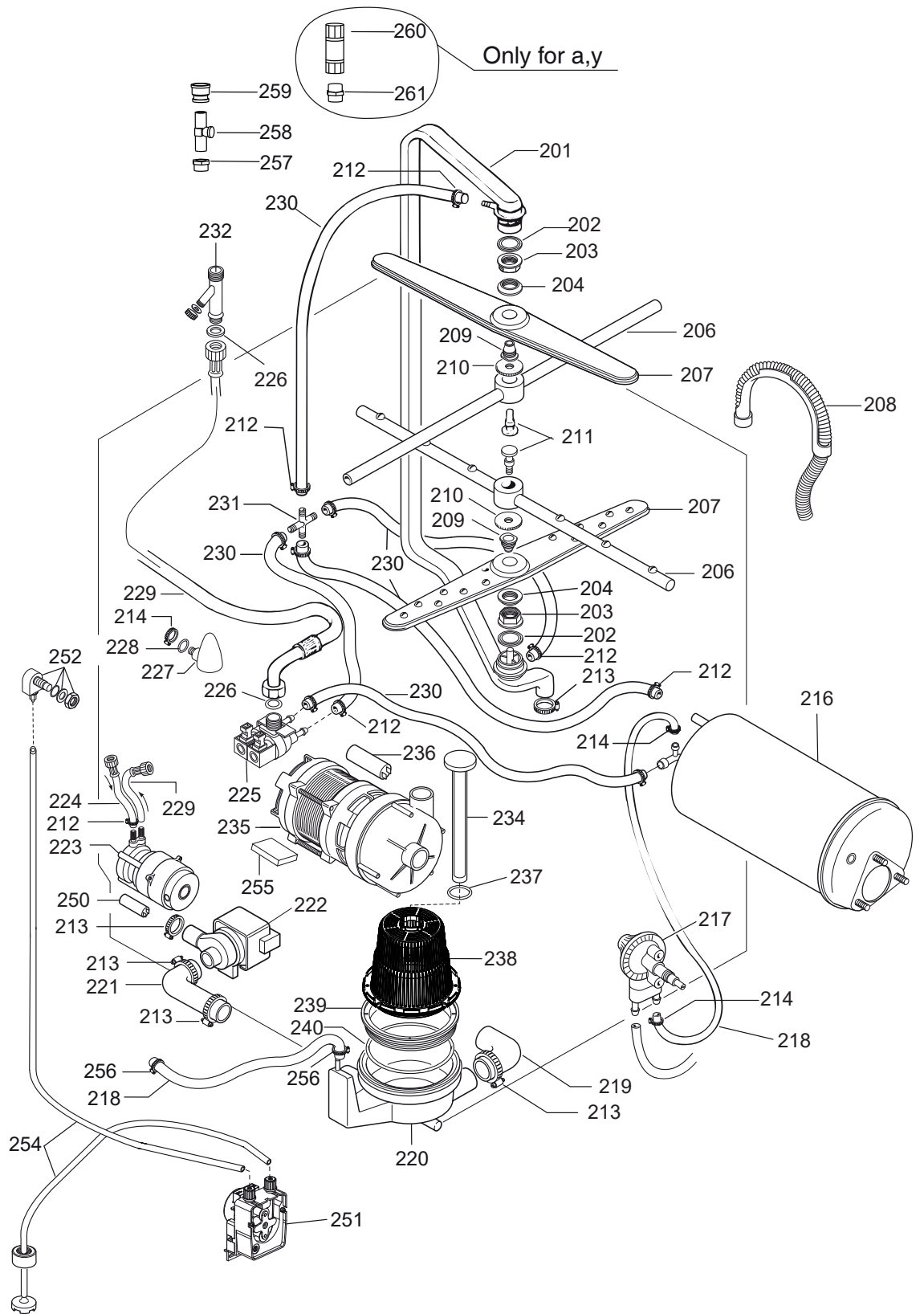
**Pag./Page**

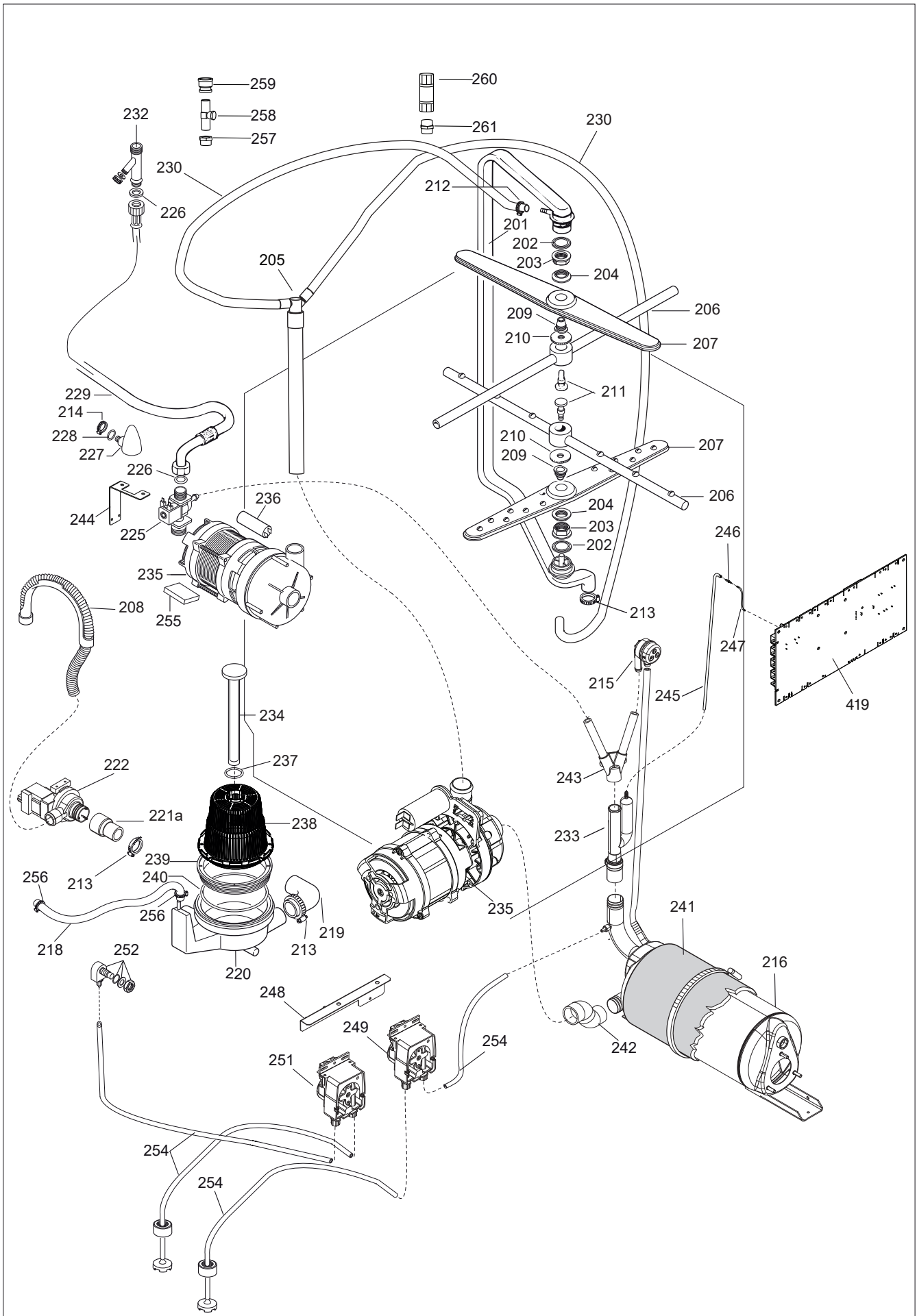
2	Vista generale
3	Componenti idraulici (a pressione)
4	Componenti idraulici (atmosferica - ref x,a6)
5	Circuito idraulico
6	Componenti elettrici
7-10	Lista ricambi

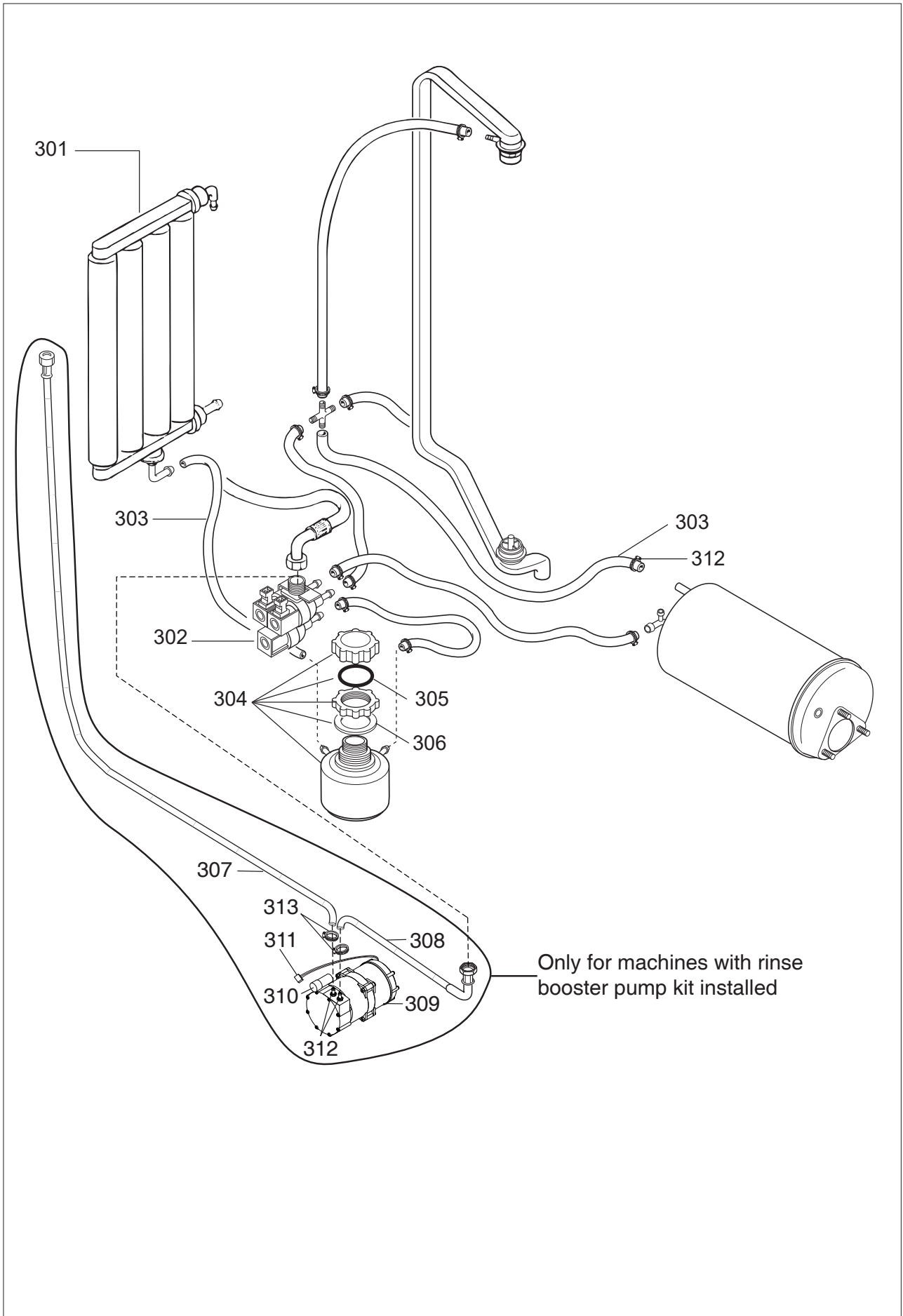
**Index**

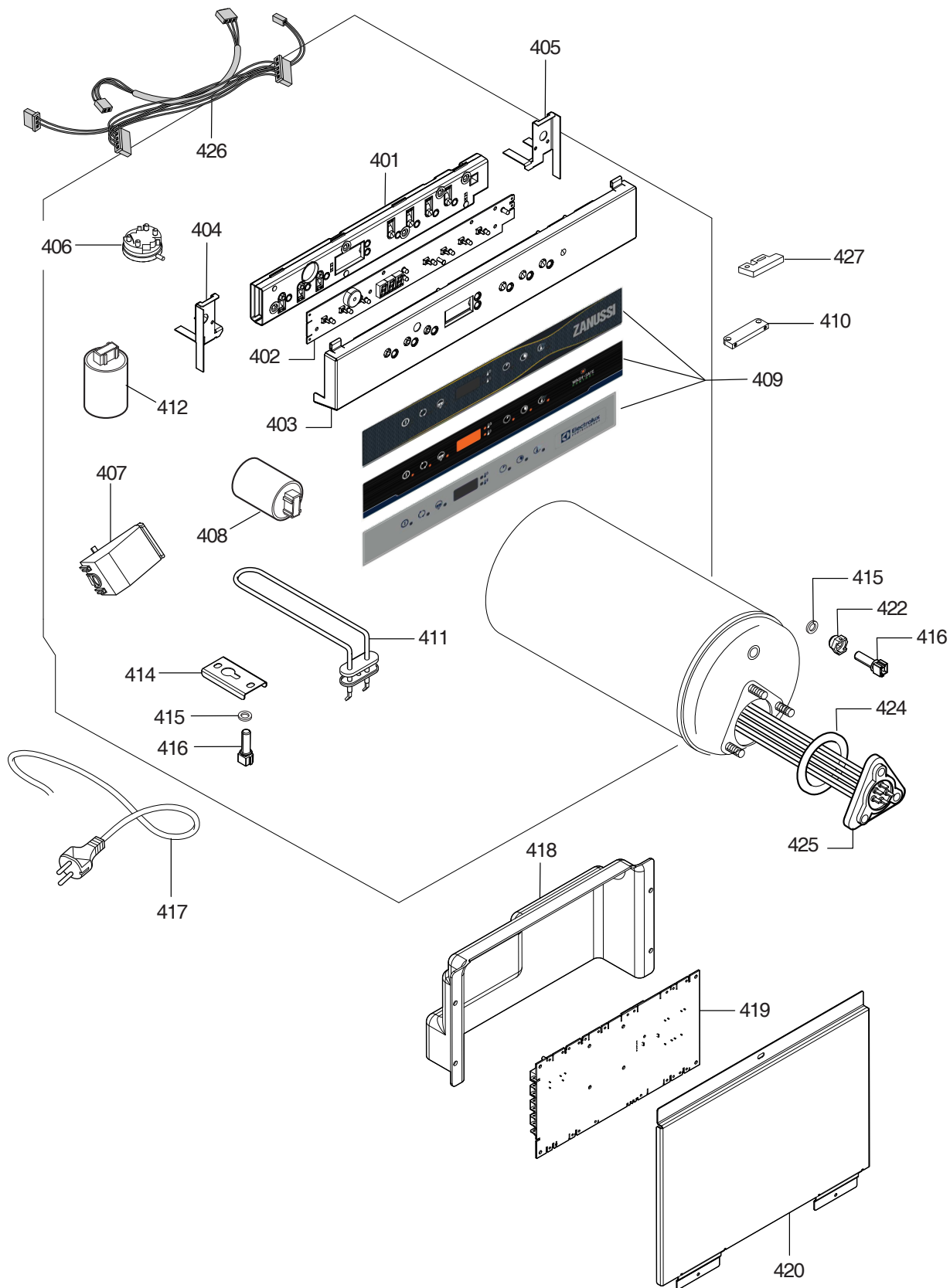
Main view
Hydraulic components (pressurized)
Hydraulic components (atmospheric - ref x,a6)
Hydraulic circuit
Electrical components
Spare parts list











**LAVATAZZINE  
GLASSWASHER**
**Grassetto = variazioni  
Bold Print = changes**

Pos.	Cod. Ric. Part No.		Descrizione	Description	Note / Notes
			<b>PAGINA 2: VISTA GENERALE</b>	<b>PAGE 2: MAIN VIEW</b>	
101	0L2946	05016A2T00	COPERTURA	COVERING	b,c,d,e,f,g,h
101	0L2079	05046AC100	COPERTURA	COVERING	a,i,j,k,l,m,n,o,p,q,r,s, t,u,v,w,x,y,z,a1,a2, a3,a4,a5,a7,a8,a9, b1
101	049207	0501674502	COPERTURA	COVERING	a6
102	049247	0544609900	MADREVITE IN PLASTICA	SCREW PLUG	
103	049017	0543625300	GUARNIZIONE	GASKET	
104		0855653K01	ASSIEME PORTA LB1 ELUX	ELUX LB1 DOOR	b,c,d,e,f
104		0855653L01	ASSIEME PORTA LB2 ELUX	ELUX LB2 DOOR	i,j,k,l,m,n,o,p,q,r,s,t, u,v,w,x
104	0L4766	0855652S01	ASSIEME PORTA LB1 ZANUSSI	ZANUSSI LB1 DOOR	g,h
104	0L4768	0855652U01	ASSIEME PORTA LB2 ZANUSSI	ZANUSSI LB2 DOOR	y,z,a1,a2,a3,4,a5,a6
104	0L4769	0855652V01	ASSIEME PORTA LB2 TO BRAND	TO BRAND LB2 DOOR	a7,b1
104	0L4316	0855653500	ASSIEME PORTA VEETSAN STAR	VEETSAN STAR DOOR	a,a8,a9
105	0L2949	05016A2U00	PANNELLO FRONTALE	FRONTAL PANEL	
106	0L2754	0830658V00	GUIDA CESTO	BASKET RAIL	a,y
108	049016	0543624801	GUARNIZIONE	GASKET	
109	049246	0543625500	SCIVOLO RACCOGLIGOCCE	DRIP SLIDE	
110	049393	0830626200	PIEDINO	FOOT	
111	049200	0514677200	MOLLA PER MODELLO PICCOLO	SPRING	b,c,d,e,f,g,h
111	049086	0514675500	MOLLA PER MODELLO GRANDE	SPRING	Not for b,c,d,e,f,g,h
112	049802	0835615300	LEVA ALBERO PORTA	LEVER	
113	0L2241	05016A1R00	PANNELLO POSTERIORE	REAR PANEL	All except x,a6
113		05016A4F00	PANNELLO POSTERIORE	REAR PANEL	x,a6
114	049051	0800625801	FILTRO	FILTER	
116	049209	0501675603	SCHIENALE PER MODELLO GRANDE	BACK	Not for b,c,d,e,f,g,h
116	049210	0501675503	SCHIENALE PER MODELLO PICCOLO	BACK	b,c,d,e,f,g,h
117	0L2420	05046A7K00	FONDO MOBILE	REMOVABLE BOTTOM PANEL	
118	0L2419	0504657505	TRAVERSA FONDO	BOTTOM PANEL CROSSBAR	Not for x,a6
118		05046AW200	TRAVERSA FONDO	BOTTOM PANEL CROSSBAR	x,a6
119	0L2421	05046A7Q00	FONDO FISSO	FIXED BOTTOM PANEL	
120	0L0689	0140036014	GUARNIZIONE	GASKET	
			<b>PAGINE 3-4: COMPONENTI IDRAULICI</b>	<b>PAGES 3-4: HYDRAULIC COMPONENTS</b>	
201	049946	0830624901	GRUPPO LAVAGGIO PER MO- DELLO GRANDE	WASH GROUP	Not for b,c,d,e,f,g,h
201	049945	0830624501	GRUPPO LAVAGGIO PER MO- DELLO PICCOLO	WASH GROUP	b,c,d,e,f,g,h
202	049038	0543625100	GUARNIZIONE	GASKET	
203	049039	0544624500	GHIERA	RING NUT	
204	049043	0544624800	GHIERA	RING NUT	
205		0830660V00	ASS. TUBI MANDATA RISCIAQUO	RINSE HOSES ASSEMBLY	x,a6
206	0L2096	0855651D00	BRACCIO RISCIAQUO	RINSE ARMS	
207	049044	0800625701	BRACCIO LAVAGGIO	WASH ARMS	
208	048845	0549620401	TUBO DI SCARICO PER POMPA	PUMP DRAIN PIPE	a,y

**Doc. Nr.: 59566UA00**

 Ed. 2020 - 12  
Updated

Da Ser. Nr./ From Ser.nr.:



**LAVATAZZINE  
GLASSWASHER**
**Grassetto = variazioni  
Bold Print = changes**

Pos.	Cod. Ric. Part No.		Descrizione	Description	Note / Notes
208	0L1998	0549642300	TUBO DI SCARICO PER POMPA	PUMP DRAIN PIPE	Not for a, b,c,g,i,k,y, z,a1,a7
208	049748	0544629600	TUBO DI SCARICO PER POMPA	PUMP DRAIN PIPE	b,c,g,i,k,z,a1,a7
209	049042	0544624700	BOCCOLA	BUSH	
210	049047	0518611300	RONDELLA	WASHER	
211	049046	0514675000	PERNO	PIN	
212	048126	0518609801	FASCETTA 13-20	HOSE CLAMP 13-20	
213	047578	0518604001	FASCETTA 26-38	HOSE CLAMP 26-38	
214	046946	0518603400	FASCETTA 8-12	HOSE CLAMP 8-12	
215		054468JC00	VALVOLA GIADOS ALTE TEMP.	SOLENOID VALVE	x,a6
216	0L3732	0850665L00	BOILER	BOILER	Not for x,a6
216		0850666C00	BOILER	BOILER	x,a6
217	0L4295	0696619300	DOSATORE IDRAULICO	DISPENSER; RINSE AID	Not for x,a6
218	048883	0544637500	TUBO; 5X12	HOSE; 5X12	Not for x,a6
219	0L0405	0544629700	RACCORDO	CONNECTION	
220	049035	0830624300	COLLETTORE	MANIFOLD	
221	049080	0544625300	MANICOTTO	HOSE	a,d,e,f,j,l,m,n,o,p,q,r, s,t,u,v,w,y,a2,a3,a4, a5,a8,a9,b1
221a	0L0759	0544682100	MANICOTTO	HOSE	x,a6
222	0L2133	0611636J00	POMPA DI SCARICO 50HZ	DRAIN PUMP 50HZ	Not for b,c,g,i,k,z,a1
223	048910	0611615700	ELETTROPOMPA	ELECTRIC PUMP	a,e,o,r,s,t,b1
224	048909	0830623800	TUBO ALIMENTAZIONE	FEED HOSE	a,e,o,r,s,t,b1
225	0L3441	0696618L00	ELETTROVALVOLA	SOLENOID VALVE	a,b,f,g,i,j,p,q,u,w,y, z,a4,a8,b1
225	0L3442	0696618M00	ELETTROVALVOLA	SOLENOID VALVE	c,d,e,h,k,l,m,n,o,r,s, t,v,a1,a2,a3,a5,a7,a9
225	0L3443	0696618N00	ELETTROVALVOLA	SOLENOID VALVE	x,a6
226	049201	0543624401	GUARNIZIONE; DIAM 3/4	GASKET; DIAM 3/4	
227	048853	0542605501	NASELLO DI SFIATO	SPIGOT; AIR RELIEF	
228	068642	0246035800	O RING	O RING	
229	0L1887	0830654R00	TUBO ALIMENTAZIONE	FEED HOSE	Not for a,e,o,r,s,t,b1
229	049231	0830625600	TUBO ALIMENTAZIONE	FEED HOSE	a,e,o,r,s,t,b1
230	048531	0140066039	TUBO GOMMA	HOSE	
231	0L0353	0511619400	RACCORDO A 4 VIE	4 WAYS CONNECTION	Not for x,a6
232	048834	0830623701	FILTRO	FILTER	
233		0805654901	TRAPPOLA D'ARIA	AIR TRAP	
234	049195	0544625100	TUBO TROPPO PIENO	OVERFLOW CONNECTOR	Not for b,c,g,i,k,z,a1,a7
234	049194	0544624101	TUBO TROPPO PIENO	OVERFLOW CONNECTOR	b,c,g,i,k,z,a1,a7
235	0L0571	0611628400	POMPA	PUMP	Not for m,r
235	0L0572	0611628500	POMPA	PUMP	m,r
236	049260		CONDENSATORE	CAPACITOR	
237	049036	0543625000	ANELLO	RING	
238	0L2757	0542606900	FILTRO POMPA	PUMP FILTER	
239	049034	0544624000	GHIERA	RING NUT	
240	049033	0543624900	ANELLO	RING	
241		0569609800	ISOLANTE BOILER	BOILER INSULATION	x,a6
242	0L2064	0544685F00	MANICOTTO POMPA RINSE	RINSE PUMP COUPLING	x,a6
243		083066Q00	RACCORDO A 3 VIE	3 WAYS CONNECTION	x,a6

**Doc. Nr.: 59566UA00**

 Ed. 2020 - 12  
Updated

Da Ser. Nr./ From Ser.nr.:

**LAVATAZZINE  
GLASSWASHER**
**Grassetto = variazioni  
Bold Print = changes**

Pos.	Cod. Ric. Part No.		Descrizione	Description	Note / Notes
244		0507694000	SUPPORTO ELETTROVALVOLA	SOLENOID VALVE SUPPORT	x,a6
245	0L3415	0544638800	TUBO 4X7,4 L=2000	HOSE 4X7,4 L=2000	x,a6
246	0L1283	0544683400	RIDUZIONE TUBO SENSORE DI PRESSIONE	REDUCTION	x,a6
247	0L1577	0544630001	TUBO DIA.4MM	HOSE 4 MM	x,a6
248		0830660T00	SUPPORTO POMPE PERIST.	PUMPS SUPPORT	x,a6
249		0686601W00	POMPA PERIST. BRILLANTANTE	PUMP; RINSE AID	x,a6
250	049126	0694605300	CONDENSATORE	CAPACITOR	a,e,o,r,s,t,b1
251	0L3726	0686601L00	POMPA PERIST. DETERGENTE	PUMP; DETERGENT	a,j,n,q,s,t,u,v,w,x,y, a3,a4,a5,a6,a8,a9,b1
252	049801	0514690300	INIETTORE DETERGENTE	DETERGENT INJECTOR	a,j,n,q,s,t,u,v,w,x,y, a3,a4,a5,a6,a8,a9,b1
254	0L1163	0544685200	TUBO DETERGENTE	DETERGENT PIPE	
255	0L0480	0541611400	COIBENTANTE ADESIVO	ADHESIVE INSULATED PANEL	
256	046946	0518603400	FASCETTA 8 -12	HOSE CLAMP 8 -12	
257	0L0262	0514693800	RIDUZIONE M.3/4" - F.1/2"	ADAPTER M.3/4" - F.1/2"	Not for a,y
258	0L0264	0549644001	VALVOLA DI NON RITORNO	NO BACK-FLOW VALVE	Not for a,y
259	0L0263	0514693700	MANICOTTO F.3/4" - F.1/2"	COUPLING F.3/4" - F.1/2"	Not for a,y
260	0L2980	0652608800	DOPPIA VALVOLA DI RITEGNO	DOUBLE CHECK VALVE	a,x,y,a6
261	072457	0W00526300	GIUNTO M.3/4" - M.3/4"	COUPLING M.3/4" - M.3/4"	a,x,y,a6
			<b>PAGINA 5: CIRCUITO IDRAULICO</b>	<b>PAGE 5: HYDRAULIC CIRCUIT</b>	
301	049074	0549622701	DECALCIFICATORE	WATER SOFTNER	c,d,e,f,h,k,l,m,n,o,r,s, t,v,a1,a2,a3,a5,a7,a9
302	0L3441	0696618L00	ELETTROVALVOLA	SOLENOID VALVE	a,b,f,g,i,j,p,q,u,w,y, z,a4,a8,b1
302	0L3442	0696618M00	ELETTROVALVOLA	SOLENOID VALVE	c,d,e,h,k,l,m,n,o,r,s, t,v,a1,a2,a3,a5,a7,a9
302	0L3443	0696618N00	ELETTROVALVOLA	SOLENOID VALVE	x,a6
303	048531	0140066039	TUBO GOMMA	HOSE	
304	049075	0549622600	BOCCIA SALE COMPL. OR + TAPPO E GHIERA	SALT CONTAINER	c,d,e,f,h,k,l,m,n,o,r,s, t,v,a1,a2,a3,a5,a7,a9
305	049245		GUARNIZIONE	GASKET	
306	049244		GUARNIZIONE GHIERA	GASKET	
307	0L2394	0830657600	TUBO INGRESSO ACQUA	WATER INLET PIPE	
308	0L2389	0830657500	TUBO USCITA POMPA	PUMP OUTLET PIPE	
309	0L2391	0611636W00	POMPA + CONDENSATORE	PUMP + CAPACITOR	
310	049126		CONDENSATORE	CAPACITOR	
311	0L2392	0638688Y00	CAVETTO DI TERRA	GROUND CABLE	
312	0L2393	05146A3N00	PORTAGOMMA G 3/8" M	FITTING G 3/8" M	
313	048126	0518609801	FASCETTA 13-20	HOSE CLAMP 13-20	
			<b>PAGINA 6: COMPONENTI ELETTRICI</b>	<b>PAGE 6: ELECTRICAL COMPONENTS</b>	
401	0L1567	0541615401	COPERTURA USER	USER COVERING	
402	0L4473	0673613K00	INTERFACCIA UTENTE UC/FL/ GW-ELT	USER INTERFACE	
403	0L3742	083065JV01	ASSIEME CRUSCOTTO	CONTROL PANEL	
404	0L4396	05066A3R00	SUPPORTO SX CRUSCOTTO NGW ELETTRONICA	LEFT CONTROL PANEL SUP- PORT	

**Doc. Nr.: 59566UA00**

 Ed. 2020 - 12  
Updated

Da Ser. Nr./ From Ser.nr.:

**LAVATAZZINE  
GLASSWASHER**
**Grassetto = variazioni  
Bold Print = changes**

Pos.	Cod. Ric. Part No.		Descrizione	Description	Note / Notes
405	0L4395	05066A3Q00	SUPPORTO DX CRUSCOTTO NGW ELETTRONICA	RIGHT CONTROL PANEL SUPPORT	
406	049081	0646615100	PRESSOSTATO	PRESSURE SWITCH	
407	0L2237	0639629L01	MORSETTIERA	TERMINAL BOARD	
408	049901	0694605600	FILTRO INDUTTIVO-CAPACITIVO MONOFASE	INDUCTIVE-CAPACITIVE FILTER; SINGLE PHASE	
409		054864GU01	MEMBRANA ELUX CR + WS +DP	ELUX CR + WS +DP STICKER FOR CONTROL PANEL	c,d,e,k,l,m,n,o,r,s,t,v
409		054864GV01	MEMBRANA ELUX CR + DP	ELUX CR + DP STICKER FOR CONTROL PANEL	b,f,i,j,p,q,u,w,x
409		054864HJ01	MEMBRANA ELECTROLUX ATMOSFERICA	ELECTROLUX ATMOSPHERICAL STICKER FOR CONTROL PANEL	x
409		054864HA01	MEMBRANA ZANUSSI CR +WS	ZANUSSI CR +WS STICKER FOR CONTROL PANEL	g,y,z,a4
409		054864HK01	MEMBRANA ZANUSSI CR +WS ATMOSFERICA	ZANUSSI CR +WS ATMOSPHERICAL STICKER FOR CONTROL PANEL	a6
409		054864HB01	MEMBRANA ZANUSSI CR +WS +DP	ZANUSSI CR +WS +DP STICKER FOR CONTROL PANEL	h,a1,a2,a3,a5
409		054864HC01	MEMBRANA TO BRAND CR +WS	TO BRAND CR +WS STICKER FOR CONTROL PANEL	a7
409	0L3841	054864DQ00	MEMBRANA KXT NO WS	KXT NO WS STICKER FOR CONTROL PANEL	b1
409	0L4333	054864F500	MEMBRANA VEETSAN STAR DP	VEETSAN STAR DP STICKER FOR CONTROL PANEL	a,a8
409	0L4305	054864F601	MEMBRANA VEETSAN STAR DP +WS	VEETSAN STAR DP +WS STICKER FOR CONTROL PANEL	a9
410	0L1001	0699604600	SENSORE MAGNETICO	MAGNETIC SWITCH; ROUND	a8,a9
411	049059	0617611301	RESISTENZA	HEATING ELEMENT	
412	0L2982	0694606400	FILTRO RFI TRIFASE	KLIXON	f,p,q
414	0L0366	0507683800	SUPP. SENSORE TEMPERATURA	SUPPORT	
415	0L2303	0543633Z00	O RING	O RING	
416	049643	0124294000	SONDA TEMPERATURA NTC TYPE B57276K482A5	TEMPERATURE PROBE	
417	0C2192	0634800604	CAVO PLUG IN 230V TYPE S3 (SCHUKO)	PLUG IN 230V TYPE S3 CABLE (SCHUKO)	Not for a,f,p,q,r,y
418	0L3727	0541619000	COPERTURA SCHEDA DIWAP	COVER	
419	0L4443	0673613303	SCHEDA DIWAP10_AZ60 RELE EUTRON (SENZA SCATOLA)	DIWAP10_AZ60 RELE EUTRON	Not for x,a6
419	0L3720	0673611Q08	SCHEDA DIWAP10_AZ60 ATM. TRIAC EUTRON NO SCATOLA	DIWAP10_AZ60 ATM. TRIAC EUTRON	For x,a6
420	0L3741	0805667A01	ASSIEME SUPPORTO SCHEDA ELETTRONICA		
422	0L0280	0514693100	PREMISTOPPA PER SONDA	PROBE STUFFING BOX	
424	067620	0246072700	O RING	O RING	
425	0L3725	0617620800	RESISTENZA; 230V, 3 kW,	HEATING ELEMENT; 230V, 3 KW	Not for f,p,q
425	0L2652	0617631Y01	RESISTENZA; 230V, 4,5kW,	HEATING ELEMENT; 230V, 4,5 KW	f,p,q
426		063868FC05	CABLAGGIO	WIRING	Not for x,a6
426		063868KV00	CABLAGGIO ATMOSFERICA	WIRING	x,a6
426		63868H900	CABLAGGIO CON FILTRO GLASSWASHER	WIRING WITH FILTER	e,o,r,s,t,b1
427	049621	654600000	SENSORE REED	REED SENSOR	KIT 0L1871

**Doc. Nr.: 59566UA00**

 Ed. 2020 - 12  
Updated

Da Ser. Nr./ From Ser.nr.:



Electrolux Professional SPA  
Viale Treviso 15  
33170 Pordenone  
[www.electrolux-professional.com](http://www.electrolux-professional.com)

NordCap GmbH & Co. KG  
Thalendorststraße 15  
28307 Bremen  
Hauptsitz (Service, Finanzen & Personal, Lager, IT, Marketing)

Telefon: +49 421 48557-0  
Telefax: +49 421 488650  
E-Mail: [bremen@nordcap.de](mailto:bremen@nordcap.de)

Die NordCap Verkaufsniederlassungen in Deutschland:

Nord: Hamburg • Ost: Berlin • Süd: Ingelheim • West: Erkrath

by **NordCap**<sup>®</sup>

**ZANUSSI**  
PROFESSIONAL