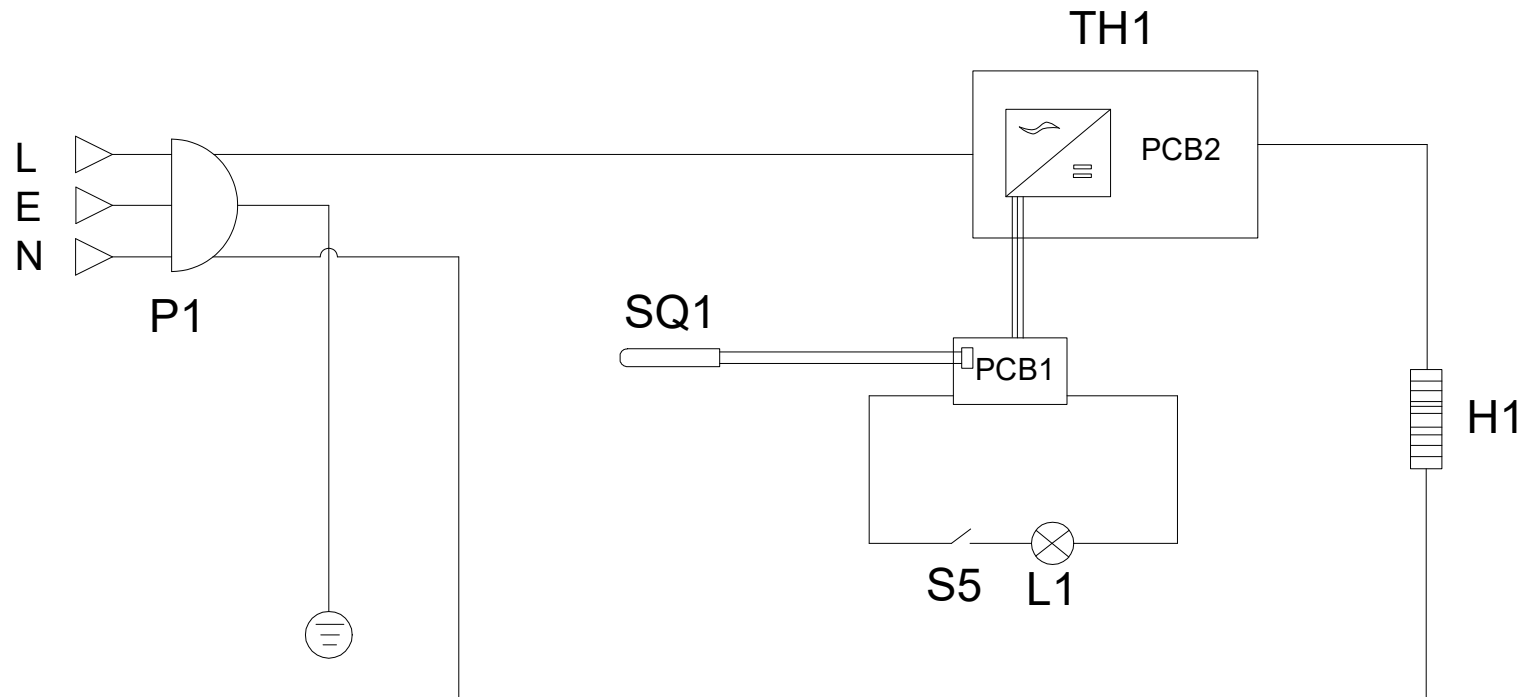


Schaltplan

Minibar Serie TM V / G



P1	Power Supply
S5	Lamp Switch
TH1	Thermostat
H1	Heating Element
SQ1	Thermistor
L1	Lamp