

# Ersatzteilliste-Explosionszeichnung

## Elektro-Fritteuse EF7 / 2B7L

[Artikel-Nr.: 406372078]



SPARE PARTS CATALOGUE  
CATALOGO PARTI DI RICAMBIO

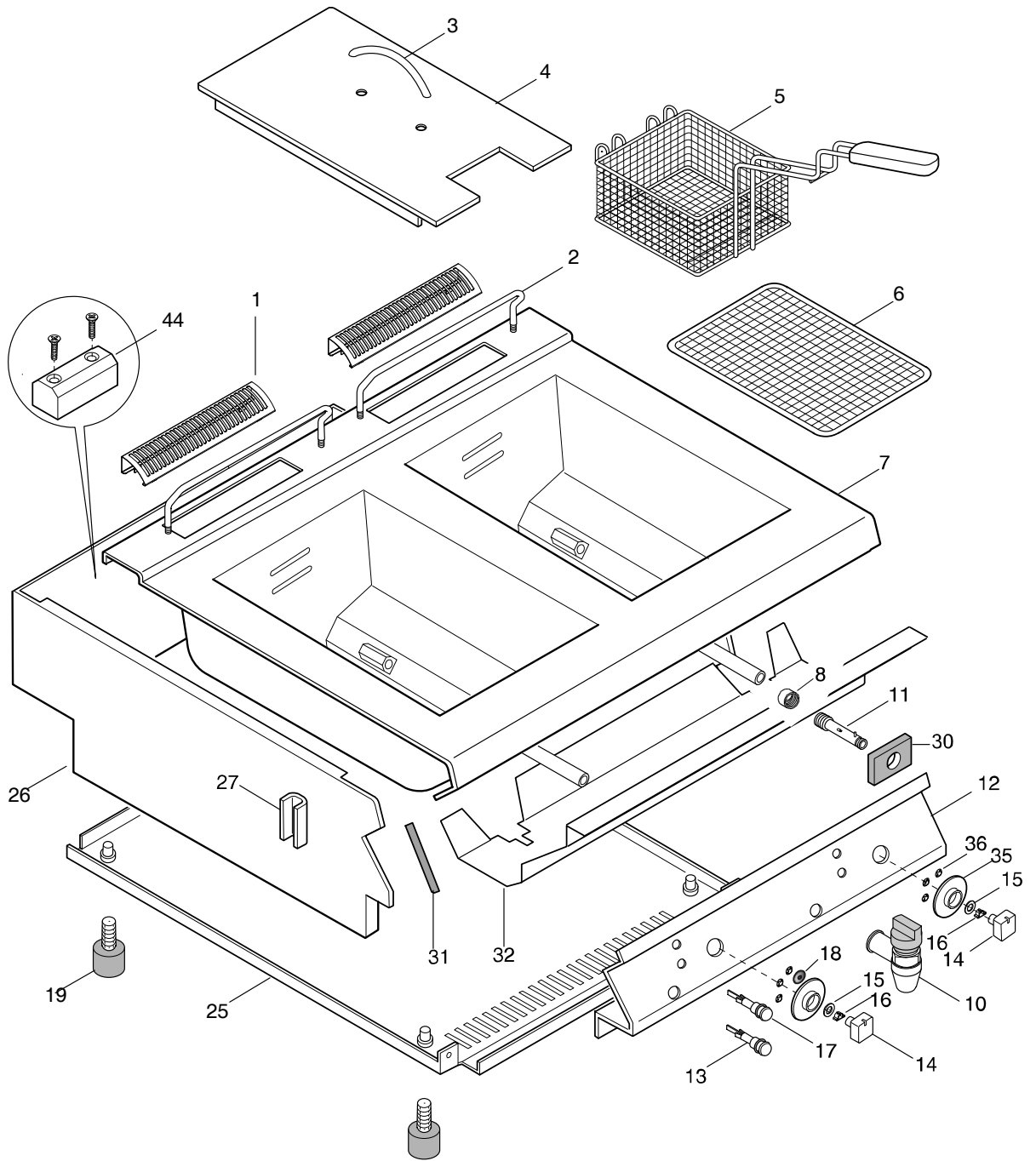
**FRIGGITRICI ELETTRICHE 7L E700 XP**  
**ELECTRIC FRYERS 7L E700 XP**

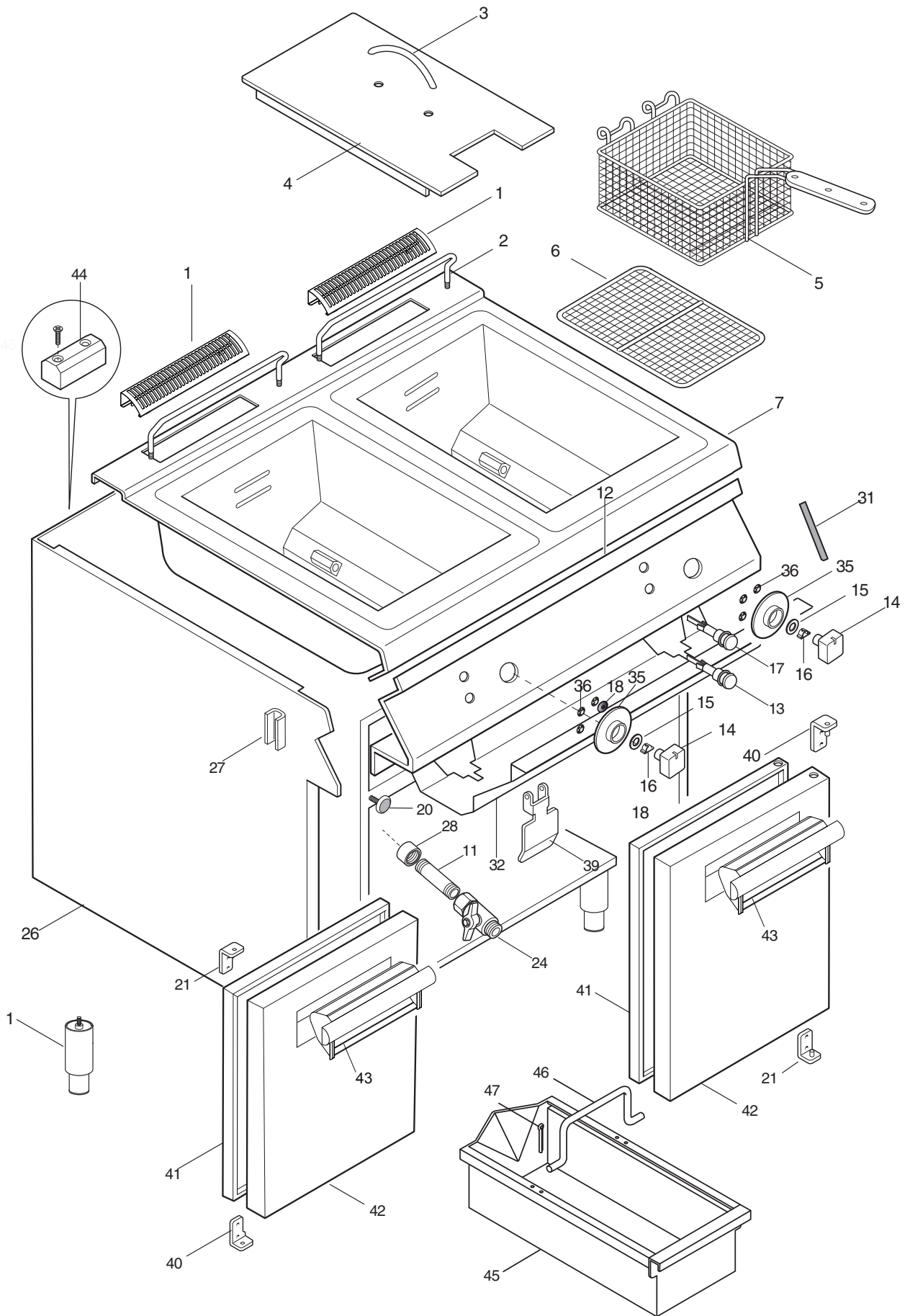
<b>PNC</b>	<b>Model</b>	<b>Ref</b>	<b>Brand</b>	<b>Version</b>	<b>Notes</b>
371075	E7FRED1200	a	ELX	EL	7 LITRE TOP 400 MM
371076	E7FREH2200	b	ELX	EL	2X7 LITRE TOP 800 MM
371077	E7FRED12F0	c	ELX	EL	7 LITRE 400 MM
371078	E7FREH22F0	d	ELX	EL	2X7 LITRE 800 MM
371140	E7FRED120N	e	ELX	EL	7 LITRE TOP 400 MM-230V
371141	E7FREH22FN	f	ELX	EL	2X7 LITRE 800 MM-230V
372075	Z7FRED1200	g	ZAN	EL	7 LITRE TOP 400 MM
372076	Z7FREH2200	h	ZAN	EL	2X7 LITRE TOP 800 MM
372077	Z7FRED12F0	i	ZAN	EL	7 LITRE 400 MM
372078	Z7FREH22F0	l	ZAN	EL	2X7 LITRE 800 MM
372140	Z7FRED120N	m	ZAN	EL	7 LITRE TOP 400 MM-230V
372141	Z7FREH22FN	n	ZAN	EL	2X7 LITRE 800 MM-230V
373075	A7FRED1200	o	OEM	EL	7 LITRE TOP 400 MM
373076	A7FREH2200	p	OEM	EL	2X7 LITRE TOP 800 MM
<b>373140</b>	<b>A7FRED120N</b>	<b>q</b>	<b>OEM</b>	<b>EL</b>	<b>7 LITRE TOP 400 MM-230V</b>
<b>373141</b>	<b>A7FREH22FN</b>	<b>r</b>	<b>OEM</b>	<b>EL</b>	<b>2X7 LITRE 800 MM-230V</b>

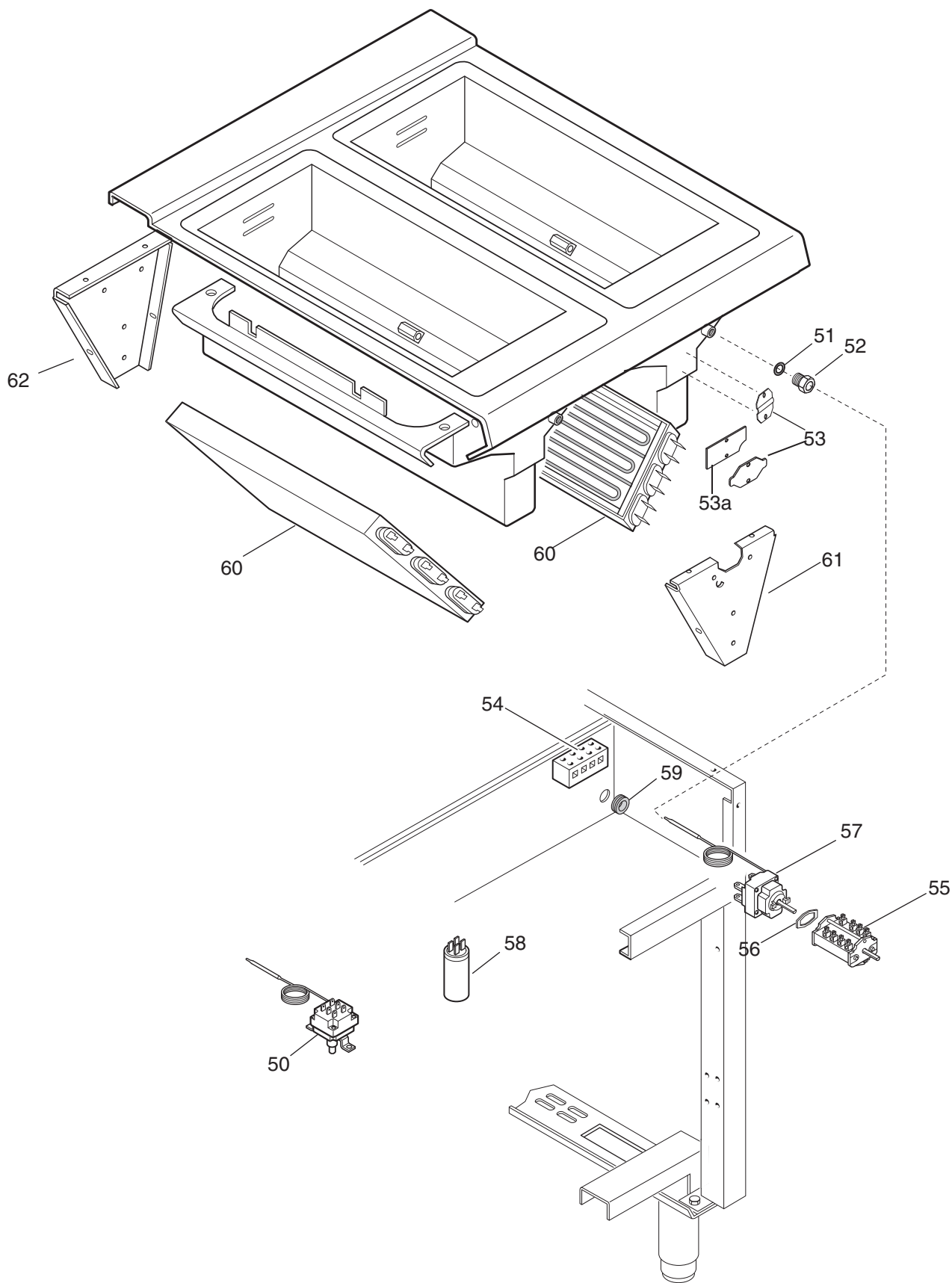
<b>Pag</b>	<b>Index</b>	<b>Indice</b>	<b>Note</b>
2,3	General components	Componenti struttura	
4	Electric components	Componenti Elettrici	
5,6	Spare parts list	Lista ricambi	

Brand/Marchio: All  
Factory code: 9PDX

From Ser. Nr.116 Up to Ser. Nr.	Ed. document publication . 2023 – 01	Page <b>1</b>	<b>Doc. N° 59785F600</b>
------------------------------------	--------------------------------------	---------------	--------------------------







**FRIGGITRICI ELETTRICHE 7L E700 XP  
ELECTRIC FRYERS 7L E700 XP**

Pos	Factory Code	Spare Part Code	Descrizione	Description	Ref./Note
1	50389LP00	0C7333	GRIGLIA CAMINO	GRID FOR CHIMNEY	
2	0516862900	0C0640	SUPPORTO PER CESTELLO	SUPPORT; BASKET	Up to 6221
2	0516862901	0CA773	SUPPORTO PER CESTELLO	SUPPORT; BASKET	From 6231
3	511819000	0C0614	MANIGLIA COPERCHIO	HANDLE, LID	
4	516880700	0C2697	COPERCHIO	LID	
5	830818804	004492	CESTELLO	BASKET	
6	830822500	005932	GRIGLIA DI FONDO	GRID FOR BOTTOM	
7	219293205	0C7755	VASCA 7 L TOP	TANK 7 L TOP	ELX
7	87089LC00	0C7783	VASCA 7 L TOP	TANK 7 L TOP	ZAN
7	87089LC00	0C7783	VASCA 7 L TOP	TANK 7 L TOP	OEM
7	85589BT00	0C7760	VASCA 7+7 L TOP	TANK 7+7 L TOP	ELX
7	87089LF00	0C7785	VASCA 7+7 L TOP	TANK 7+7 L TOP	ZAN
7	87089LF00	0C7785	VASCA 7+7 L TOP	TANK 7+7 L TOP	OEM
7	85589BN00	0C7756	VASCA 7L MONOBLOCCO	TANK 7 L FREESTANDING	ELX
7	87089LG00	0C7786	VASCA 7L MONOBLOCCO	TANK 7 L FREESTANDING	ZAN
7	85589BU00	0C7761	VASCA 7+7L MONOBLOCCO	TANK 7+7 L FREESTANDING	ELX
7	87089N000	*	VASCA 7+7L MONOBLOCCO	TANK 7+7 L FREESTANDING	ZAN, OEM
8	517862300	0C0756	RACCORDO 3/4'	CONNECTION 3/4'	
10	835867802	0C2669	VALVOLA SCARICO	DRAIN VALVE	
11	517894601	0C4691	PROLUNGA SCARICO	EXTENSION DRAIN VALVE	
12	85589B302	0C7747	CRUSCOTTO TOP 400 mm	CONTROL PANEL TOP 400 mm	ELX
12	87089LB00	0C7782	CRUSCOTTO TOP 400 mm	CONTROL PANEL TOP 400 mm	ZAN
12	50389TL01	*	CRUSCOTTO TOP 400 mm	CONTROL PANEL TOP 400 mm	OEM
12	85589B400	0C7748	CRUSCOTTO TOP 800 mm	CONTROL PANEL TOP 800 mm	ELX
12	87089LD00	0C7784	CRUSCOTTO TOP 800 mm	CONTROL PANEL TOP 800 mm	ZAN
12	50389TM00		CRUSCOTTO TOP 800 mm	CONTROL PANEL TOP 800 mm	OEM
12	85589AK00	0C7740	CRUSCOTTO MONOBLOCCO 400 mm	CONTROL PANEL FREEST. 400 mm	ELX
12	87089J600	0C7517	CRUSCOTTO MONOBLOCCO 400 mm	CONTROL PANEL FREEST. 400 mm	ZAN
12	800839B00	*	CRUSCOTTO MONOBLOCCO 400 mm	CONTROL PANEL FREEST. 400 mm	OEM
12	85589AL02	0C7741	CRUSCOTTO MONOBLOCCO 800 mm	CONTROL PANEL FREEST. 800 mm	ELX
12	87089J100	0C7516	CRUSCOTTO MONOBLOCCO 800 mm	CONTROL PANEL FREEST. 800 mm	ZAN
12	800838P00	*	CRUSCOTTO MONOBLOCCO 800 mm	CONTROL PANEL FREEST. 800 mm	OEM
13	876800102	005011	LAMPADA SPIA GIALLA	YELLOW LAMP	
14	511850G01	0C6670	MANOPOLA	KNOB	ELX
*	548877V00	0C7345	ADATTATORE MANOPOLA	KNOB ADAPTER	ELX
14	548878201	0C7232	MANOPOLA	KNOB	ZAN
14	548865500	0A5621	MANOPOLA	KNOB	OEM
15	543821000	053816	GUARNIZIONE MANOPOLA	GASKET, KNOB	
16	214590701	025245	MOLLETTA PER MANOPOLA	SPRING, KNOB	
17	876800002	005010	LAMPADA SPIA VERDE	GREEN LAMP	
18	541813800	0C6171	RONDELLA SILICONE	SILICONE WASHER	
19	315252601	026806	PIEDINO TOP	FOOT TOP	
19	835856900	0C0204	PIEDE MONOBLOCCO	FOOT FOR FREESTANDING	
20	830898200	0C0201	MAGNETE	MAGNET	
21	516860801	0C0138	CERNIERA DESTRA INFERIORE	RIGHT LOWER HINGE	
23					
24	835848600	005927	VALVOLA A SFERA	VALVE	
25	5038A2F00	*	FONDO TOP 400 mm	BOTTOM TOP 400 mm	
25	5038A2G00	*	FONDO TOP 800 mm	BOTTOM TOP 800 mm	
25	532824600	*	FONDO VANO 400 mm	BOTTOM BASE 400 mm	
25	532824700	*	FONDO VANO 800 mm	BOTTOM BASE 800 mm	
26	85089F701	0C8544	RIVESTIMENTO LATERALE 400 mm	EXTERNAL PANEL 400 mm	ELX
26	85089FA01	0C7268	RIVESTIMENTO LATERALE 400 mm	EXTERNAL PANEL 400 mm	ZAN, OEM
26	85089FD00	*	RIVESTIMENTO MONOBLOCCO 400mm	EXTERNAL PANEL FREEST.800 mm	ELX
26	85089FH00	*	RIVESTIMENTO MONOBLOCCO 400mm	EXTERNAL PANEL FREEST.800 mm	ZAN, OEM
From Ser. Nr.116 Up to Ser. Nr.			Ed. document publication . 2018 – 10	Page 5	Doc. N° 59785F600

**FRIGGITRICI ELETTRICHE 7L E700 XP**  
**ELECTRIC FRYERS 7L E700 XP**

<i>Pos</i>	<i>Factory Code</i>	<i>Spare Part Code</i>	<i>Descrizione</i>	<i>Description</i>	<i>Ref./Note</i>
26	85089F800	*	RIVESTIMENTO LATERALE 800 mm	EXTERNAL PANEL 800 mm	ELX
26	85089FB00	*	RIVESTIMENTO LATERALE 800 mm	EXTERNAL PANEL 800 mm	ZAN, OEM
26	85089FF01	0C8598	RIVESTIMENTO MONOBLOCCO 800mm	EXTERNAL PANEL FREEST.800 mm	ELX
26	85089FJ01	0CA950	RIVESTIMENTO MONOBLOCCO 800mm	EXTERNAL PANEL FREEST.800 mm	ZAN, OEM
27	527850500	0C0156	RINFORZO FISS.FIANCHI	SIDE PANEL JOINTING PLATE	
28	517862300	0C0756	MANICOTTO SCARICO	COUPLING	
29	544806300	006458	RONDELLA SCARICO	WASHER	
30	543824500	0C1440	GUARNIZIONE SCARICO	GASKET	
31	543821900	0C2496	GUARNIZIONE CRUSCOTTO	GASKET, CONTROL PANEL	
<b>32</b>	<b>533824402</b>	<b>0C2712</b>	<b>PANNELLO ANTERIORE</b>	<b>FRONT SIDE PANEL</b>	
33	528850300	*	TRAVERSINO	CROSSBAR	
35	548877L00	0C7481	BORCHIA FRIGGITRICE	KNOB RING	ELX
35	548879W00	0C7485	BORCHIA FRIGGITRICE	KNOB RING	ZAN, OEM
36	218912211	069567	ANELLO DI FISSAGGIO	RING CONNECTION	
37					
38	508883202	0C0764	SUPPORTO PROTEZ. LEVA	SUPPORT, LEVEL PROTECTION	
39	525885100	0C0763	PROTEZIONE LEVA SCARICO	LEVEL PROTECTION	
40	516860901	0C0139	CERNIERA DESTRA SUPERIORE	RIGHT UPPER HINGE	
41	50489CQ00	0C7158	CONTROPORTA	INNER DOOR	
42	50389G300	0C7157	PORTA	DOOR	ELUX
<b>42</b>	<b>50389MB01</b>	*	<b>PORTA</b>	<b>DOOR</b>	<b>OEM</b>
43	51589A700	0C7164	MANIGLIA PORTA	HANDLE DOOR	ELX up to 2012/47
<b>43</b>	<b>54887AH00</b>	<b>0C8769</b>	<b>MANIGLIA PORTA</b>	<b>HANDLE DOOR</b>	<b>ELX from 2012/48</b>
43	54887A802	0C8190	MANIGLIA PORTA	HANDLE DOOR	ZAN
<b>43</b>	<b>854864203</b>	<b>0A5021</b>	<b>MANIGLIA PORTA</b>	<b>HANDLE DOOR</b>	<b>OEM</b>
*	85589CT01	0C7163	ASSIEME PORTA CON MANIGLIA	COMPLETE DOOR WITH HANDLE	ELX
*	85589CU05	0C7165	ASSIEME PORTA CON MANIGLIA	COMPLETE DOOR WITH HANDLE	ZAN
*	<b>85589CV02</b>	<b>0C7627</b>	<b>ASSIEME PORTA CON MANIGLIA</b>	<b>COMPLETE DOOR WITH HANDLE</b>	<b>OEM</b>
44	516880700	0C0137	PIASTRA DI GIUNZIONE	JOINTING REAR PLATE	
45	502898403	005922	BACINELLA RACCOLTA OLIO	OIL BUCKET	
46	516843003	005923	MANIGLIA BACINELLA	HANDLE, BASIN	
47	219293205	0C0477	COPIGLIA	COTTER	
<b>50</b>	<b>646816601</b>	<b>0C4463</b>	<b>LIMITATORE DI TEMPERATURA</b>	<b>SAFETY THERMOSTAT</b>	
51	543815000	059293	GUARNIZIONE BULBO	GASKET FOR BULB	
52	527871901	0C4749	SQUADRETTA SUPPORTO BULBO	PLATE FOR BULB	
52a	569806300	0C4748	ISOLANTE BULBO	BULB INSULATION	
53	514874500	059295	RACCORDO SUPPORTO BULBO	PIPE FITTING	
54	A05714000	058613	MORSETTIERA	MAIN TERMINAL BLOCK	
55	A05211001	0A2036	INTERRUTTORE	SWITCH	
56	506842500	054376	STAFFA FISSAGGIO TERMOSTATO	PLATE FIXING THERMOSTAT	
57	646810600	005940	TERMOSTATO	THERMOSTAT	
58	694605400	049303	FILTRO TRIFASE	FILTER	
59	544802300	0C0068	PRESSACAVO	FIXING CABLE	
60	617818401	004755	PIASTRA RADIANTE 2,7 KW	RADIANT PLATE 2,7 KW	
<b>61</b>	<b>533824402</b>	<b>0C2712</b>	<b>PANNELLO ANTERIORE</b>	<b>FRONT SIDE PANEL</b>	
<b>62</b>	<b>533824502</b>	*	<b>PANNELLO POSTERIORE</b>	<b>REAR SIDE PANEL</b>	

**Finanzen/Service**

**28307 Bremen**  
Thalendorststraße 15  
Tel.+49 421 48557-0  
Fax+49 421 488650  
bremen@nordcap.de

**Vertrieb Ost**

**12681 Berlin**  
Wolfener Straße 32/34, HausK  
Tel.+49 30 936684-0  
Fax+49 30 936684-44  
berlin@nordcap.de

**Vertrieb West**

**40699 Erkrath**  
Max-Planck-Straße 30  
Tel.+49 211 540054-0  
Fax+49 211 540054-54  
erkrath@nordcap.de

**Vertrieb Nord**

**21079 Hamburg**  
Großmoorbogen 5  
Tel.+49 40 766183-0  
Fax+49 40 770799  
hamburg@nordcap.de

**Vertrieb Süd**

**55218 Ingelheim**  
Hermann-Bopp-Straße 4  
Tel.+49 6132 7101-0  
Fax+49 6132 7101-20  
ingelheim@nordcap.de



[www.nordcap.de](http://www.nordcap.de)