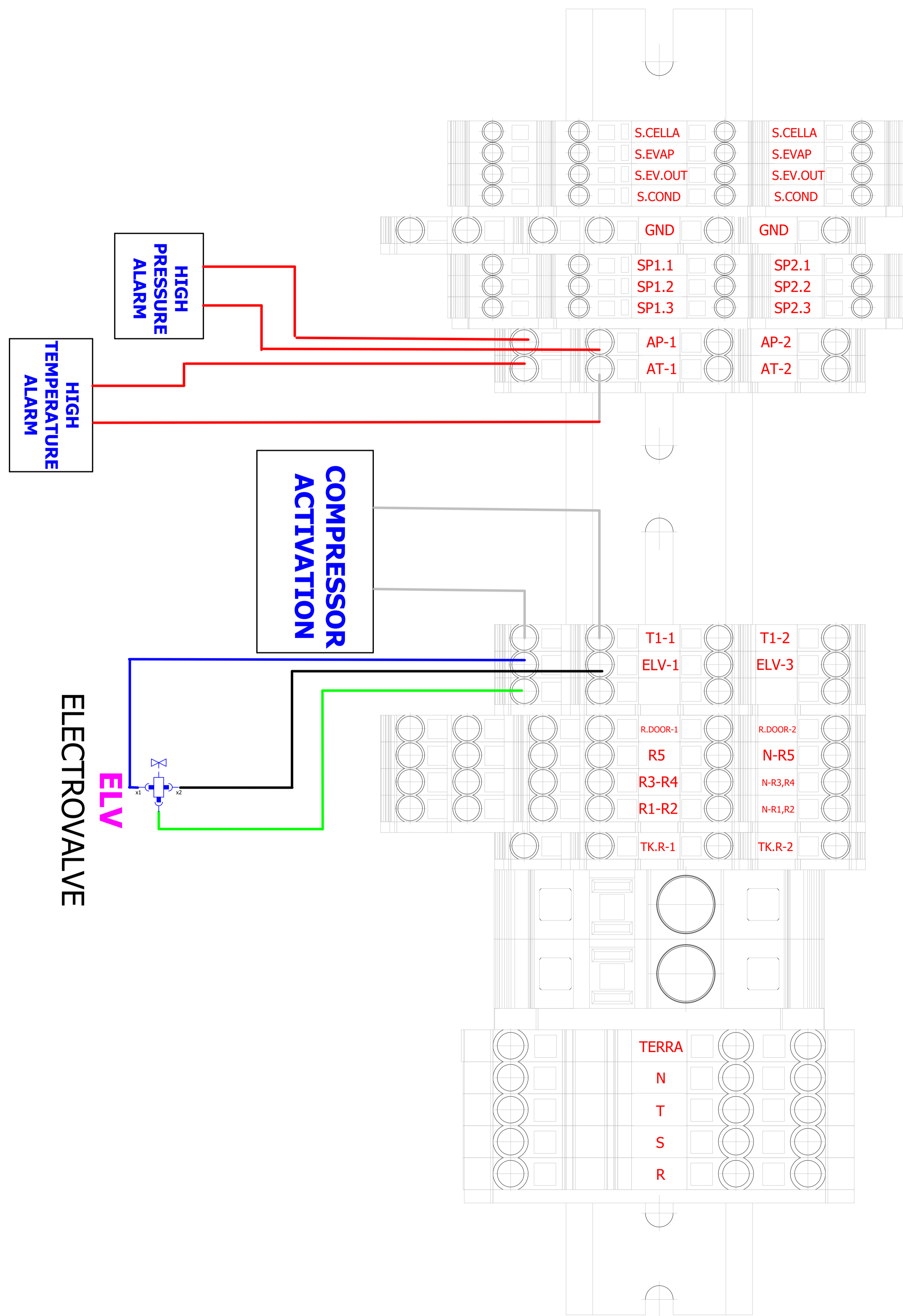


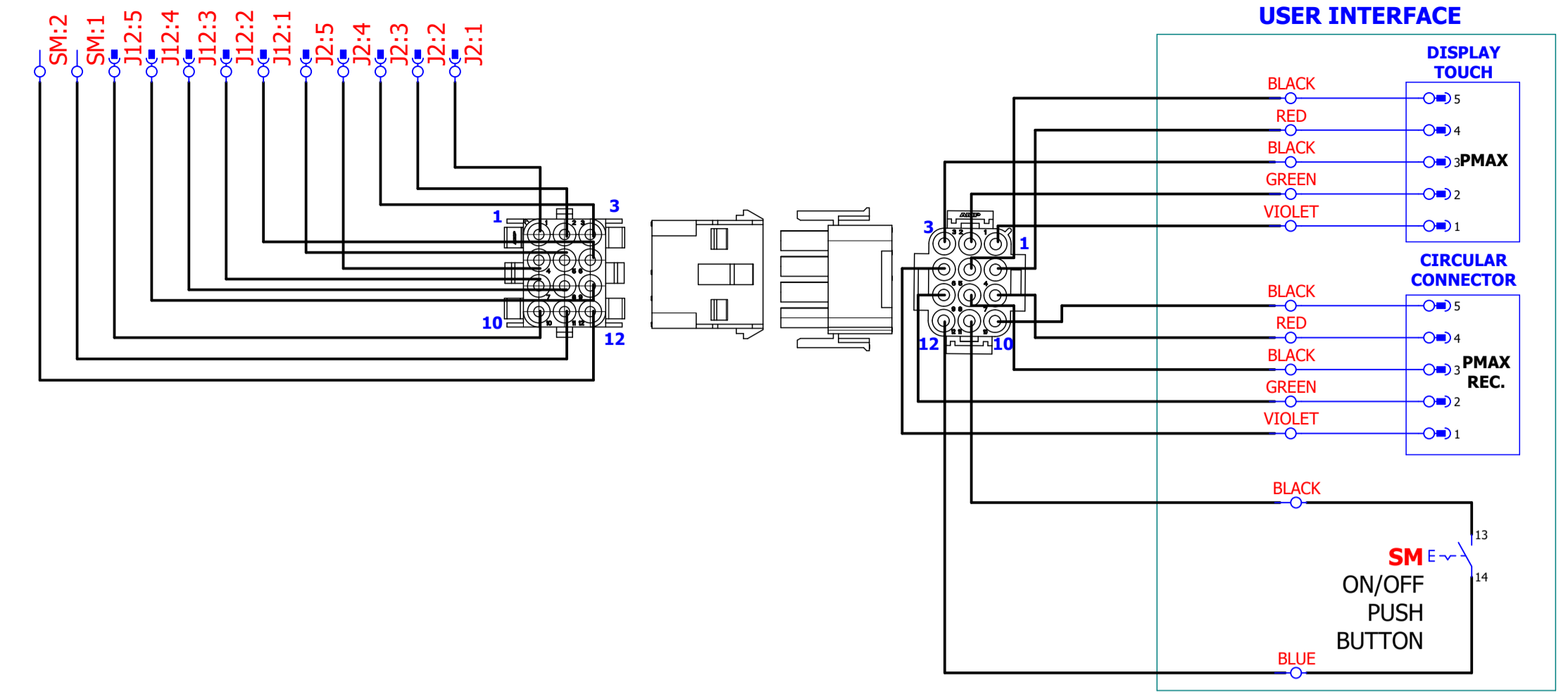
**TO ENSURE THE PROPER OPERATION OF THE REMOTE APPLIANCE,
IS NECESSARY TO INSTALL THE ELECTROVALVE**

This drawing is owned by ELECTROLUX PROFESSIONAL SPA, Vallencello 33170 (Pordenone, Italy) and contains confidential information Without the owner's permission it can not be copied or shown or manipulated in other ways and used for other purposes.

604R55402	100KG EU REMOTE
COLD	ELECTRIC WIRE DIAGRAM



EXTERNAL REMOTE CONNECTION



LEGEND

ACU	MAIN BOARD
AL	12Vdc POWER SUPPLY
AL.UV	UV POWER SUPPLY (OPTIONAL)
ELV	ELECTROVALVE (REMOTE)
F1	NEUTRAL FUSE
F2	LINE FUSE
F3	RFI FILTER
FOOD PROBE X-Y	FOOD PROBE SENSOR (X=1,2 Y=1,2,3,4,5,6)
Hx	UV LAMP (X=2,3)
KH1	HEATING ELEMENT RELAY (SAFETY-LINE)
KH2	HEATING ELEMENT RELAY (SAFETY-NEUTRAL)
KH3	HEATING ELEMENT R1-R2 RELAY (WORK)
KH4	HEATING ELEMENT R3-R4 RELAY (WORK)
KH5	HEATING ELEMENT R5 RELAY (WORK)
KM3	CONTACTOR CAVITY FAN 1
KM4	CONTACTOR CAVITY FAN 2
KM5	CONTACTOR CAVITY FAN 3
KSM	ACTIVATION AUXILIARY RELAY
KR	COMPRESSOR ACTIVATION RELAY
M1	CAVITY FAN 1
M2	CAVITY FAN 2
M3	CAVITY FAN 3
R1	DEFROST HEATING ELEMENT 550W
R2	DEFROST HEATING ELEMENT 550W
R3	DEFROST HEATING ELEMENT 550W
R4	DEFROST HEATING ELEMENT 550W
R5	DEFROST HEATING ELEMENT 900W
R10	DOOR FRAME HEATING ELEMENT 230V 10W/m
R11	DOOR FRAME HEATING ELEMENT 230V 10W/m
R20	47 OHM RESISTANCE
S.CELLA	CAVITY SENSOR
S.COND	CONDENSER SENSOR
S.EVAP	EVAPORATOR SENSOR
S.EVAP.OUT	EXTERNAL EVAPORATOR SENSOR
S.PORTA	DOOR SENSOR
S.PORTA.UV	UV SENSOR DOOR (OPTIONAL)
SM	ON/OFF PUSH BUTTON
TK.R	HEATING ELEMENT THERMOFUSE 93°C