

LEGENDA

- B1/2 : MICRO PORTA
- C1 : RELE' COMPRESSORE
- E2/3 : TERMOSTATO DI SICUREZZA
- H1-1/2 : CONNETTORE TERMOSTATO E2
- H2-1/2 : CONNETTORE TERMOSTATO E3
- H3-1/2/3 : CONNETTORE RESISTENZA R2
- M1 : COMPRESSORE
- M2 : VENTILATORE CONDENSATORE
- M3 : VENTILATORE CELLA
- MA : MORSETTIERA PRINCIPALE 12 POLI
- MB/C : MORSETTO AUSILIARIO (MULTIPOLARE)
- MD : MORSETTO AUSILIARIO (FASTON)
- MP : TERMOREGOLATORE DIGITALE
- R2 : RESISTENZA SBRINAMENTO
- S1 : SONDA CELLA
- S2 : SONDA EVAPORATORE

TENSIONE ALIMENTAZIONE :
VEDERE TARGHETTA DATI TECNICI

LEGEND

- B1/2 : DOOR MICROSWITCH
- C1 : COMPRESSOR RELAY
- E2/3 : SECURITY THERMOSTAT
- H1-1/2 : THERMOSTAT E2 CONNECTOR
- H2-1/2 : THERMOSTAT E3 CONNECTOR
- H3-1/2/3 : HEATING ELEMENTS R2 CONNECTOR
- M1 : COMPRESSOR
- M2 : CONDENSER FAN
- M3 : STORAGE COMPARTMENT FAN
- MA : 12 POLES MAIN TERMINAL BOARD
- MB/C : MULTIPOLE AUXILIARY TERMINAL BOARD
- MD : 1 POLE AUXILIARY TERMINAL BOARD (FASTON)
- MP : DIGITAL THERMOREGULATOR
- R2 : DEFROST HEATING ELEMENT
- S1 : COMPARTMENT PROBE
- S2 : EVAPORATOR PROBE

POWER SUPPLY : SEE DATA PLATE

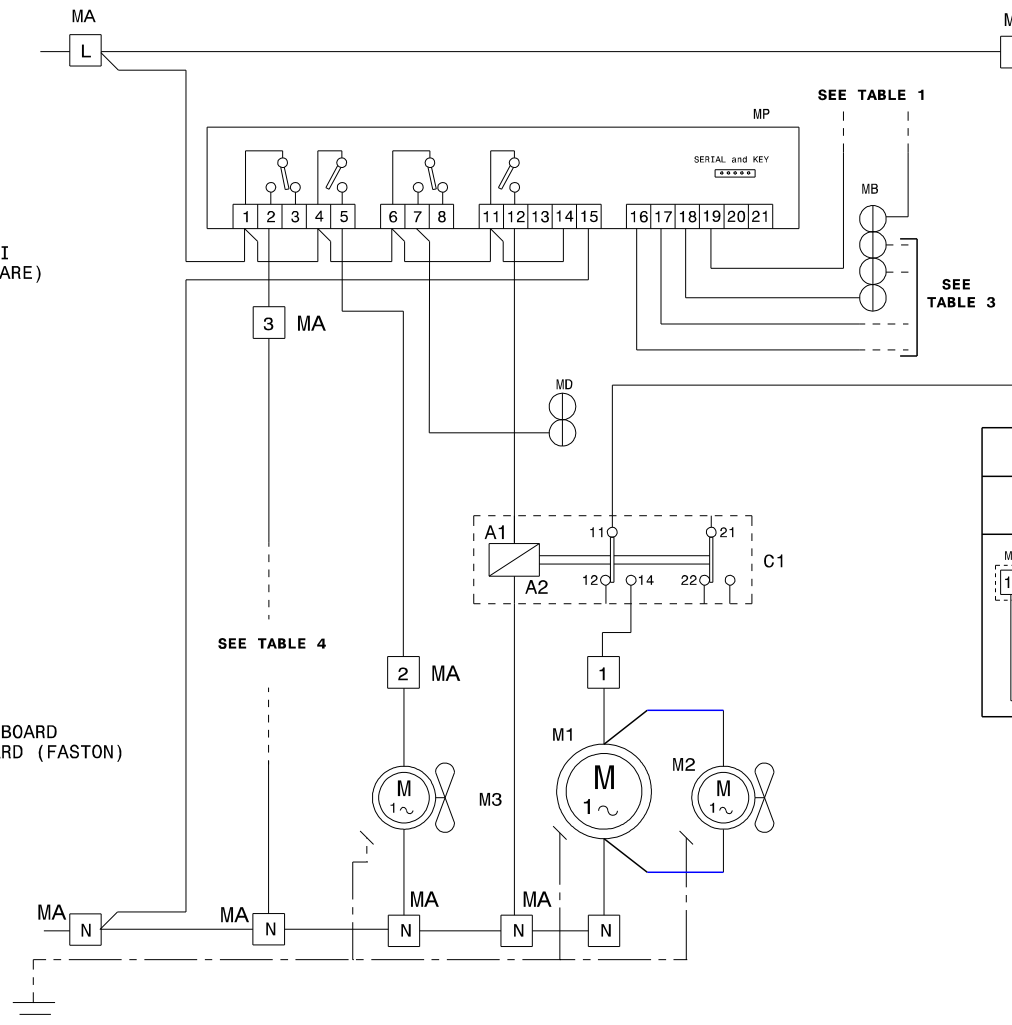


TABLE 1

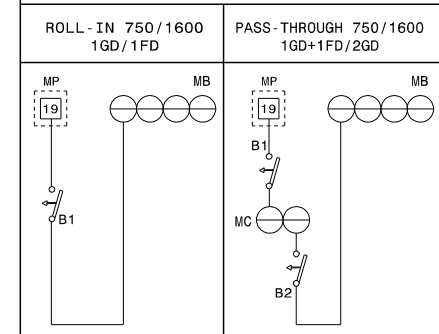


TABLE 3

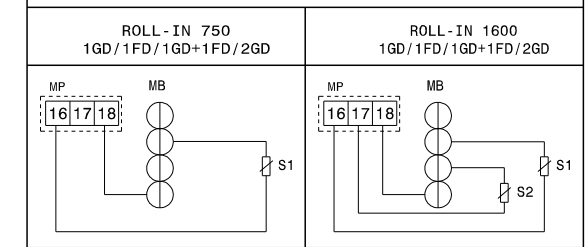
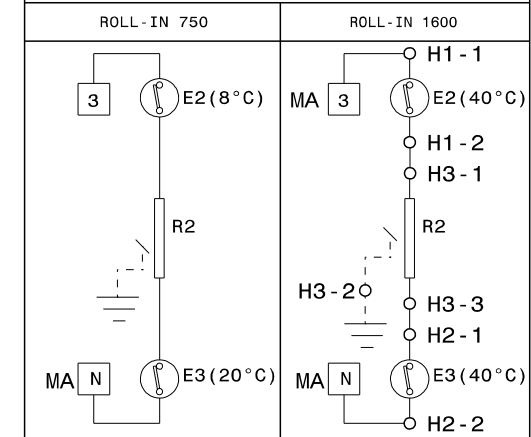


TABLE 4



ROLL IN 750-1600LT 1 PORTA CIECA
PASS THROUGH 750-1600LT 2 PORTE CIECHE
ROLL IN 750-1600LT FULL DOOR
PASS THROUGH 750-1600LT 2 FULL DOOR