

Ersatzteilliste-Explosionszeichnung

Gas-Fritteuse GF7 / 2B7LT

[Artikel-Nr.: 406372067]



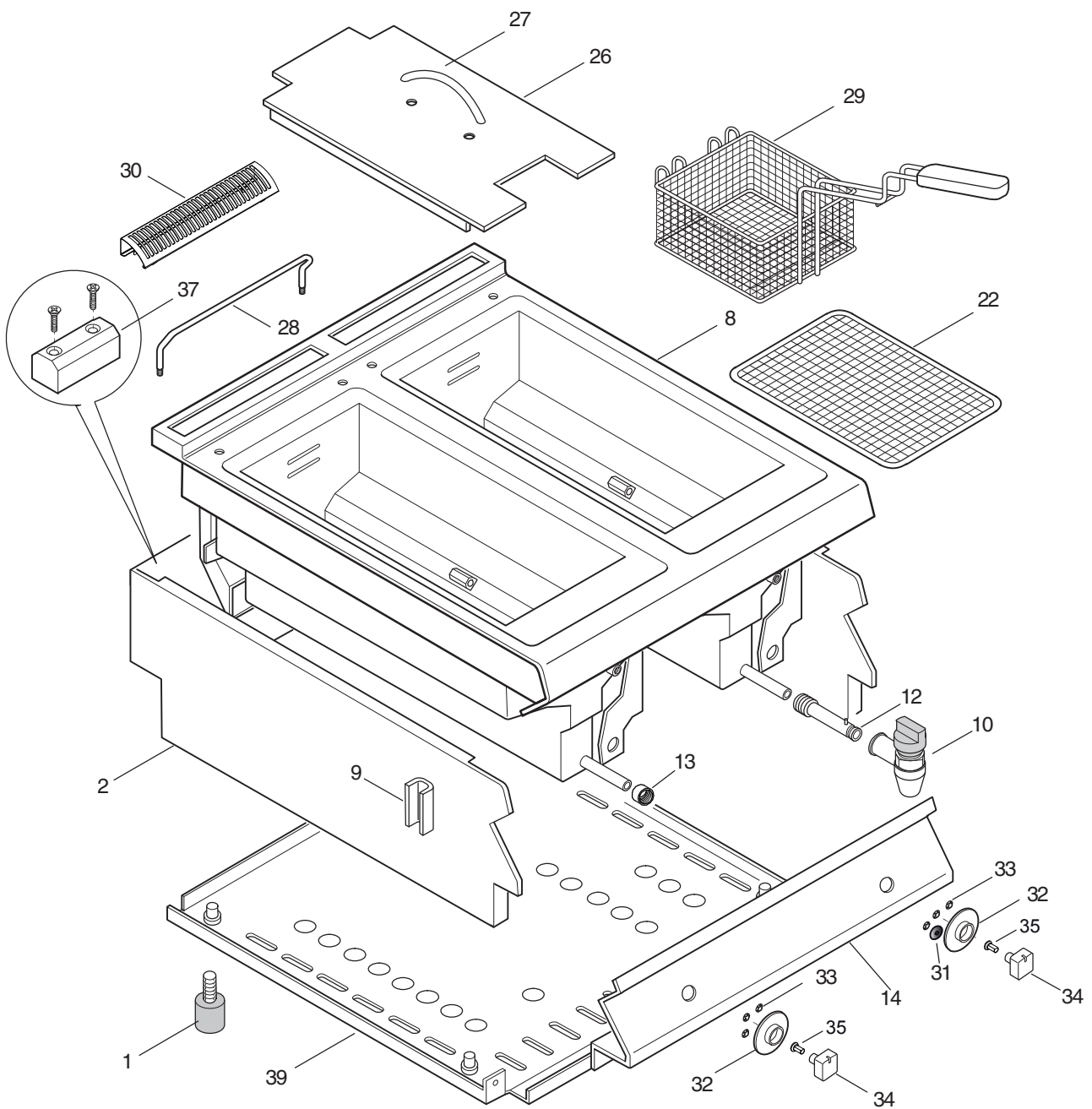
SPARE PARTS CATALOGUE
CATALOGO PARTI DI RICAMBIO

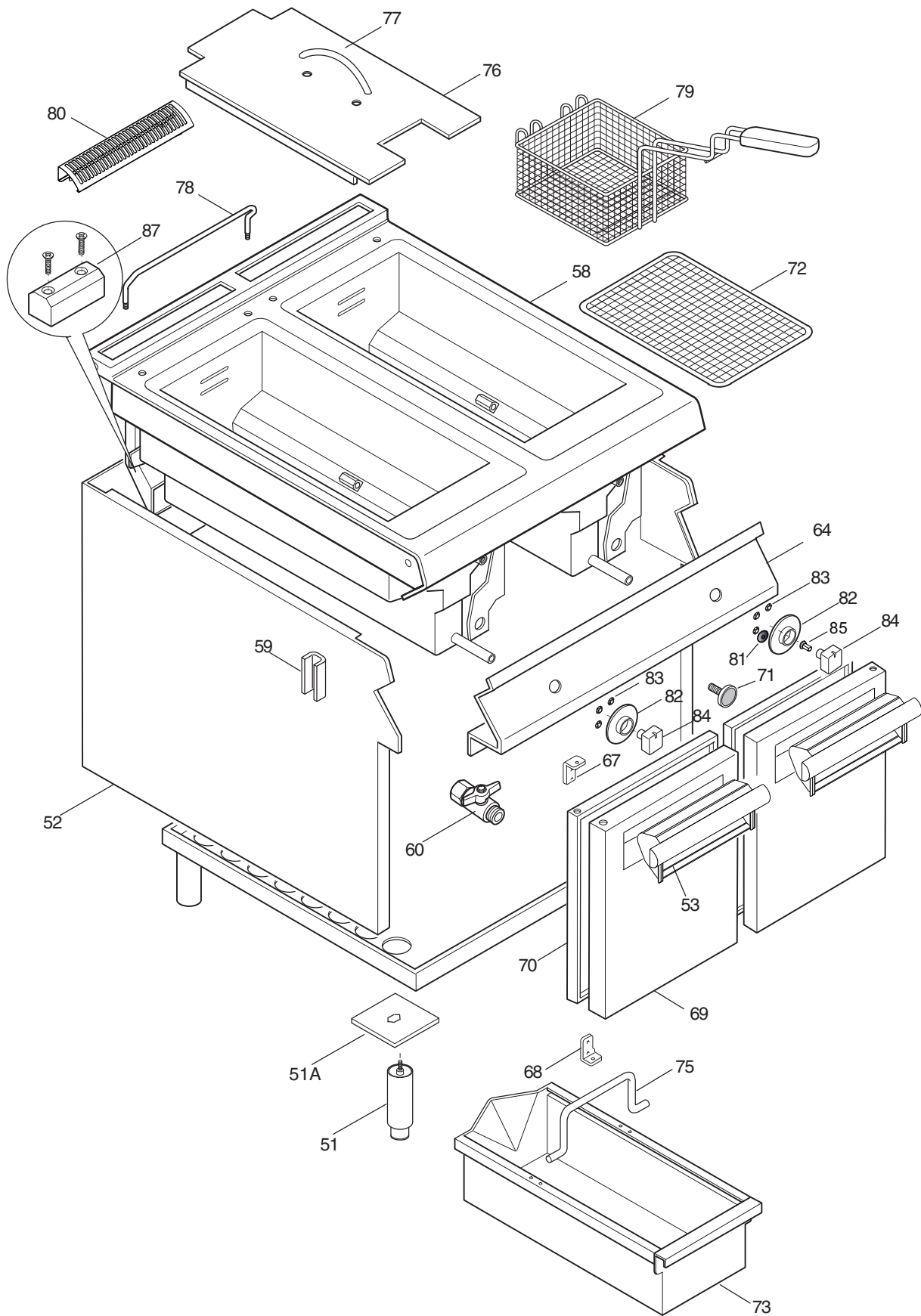
FRIGGITRICI GAS 7L E700 XP
GAS FRYERS 7L E700 XP

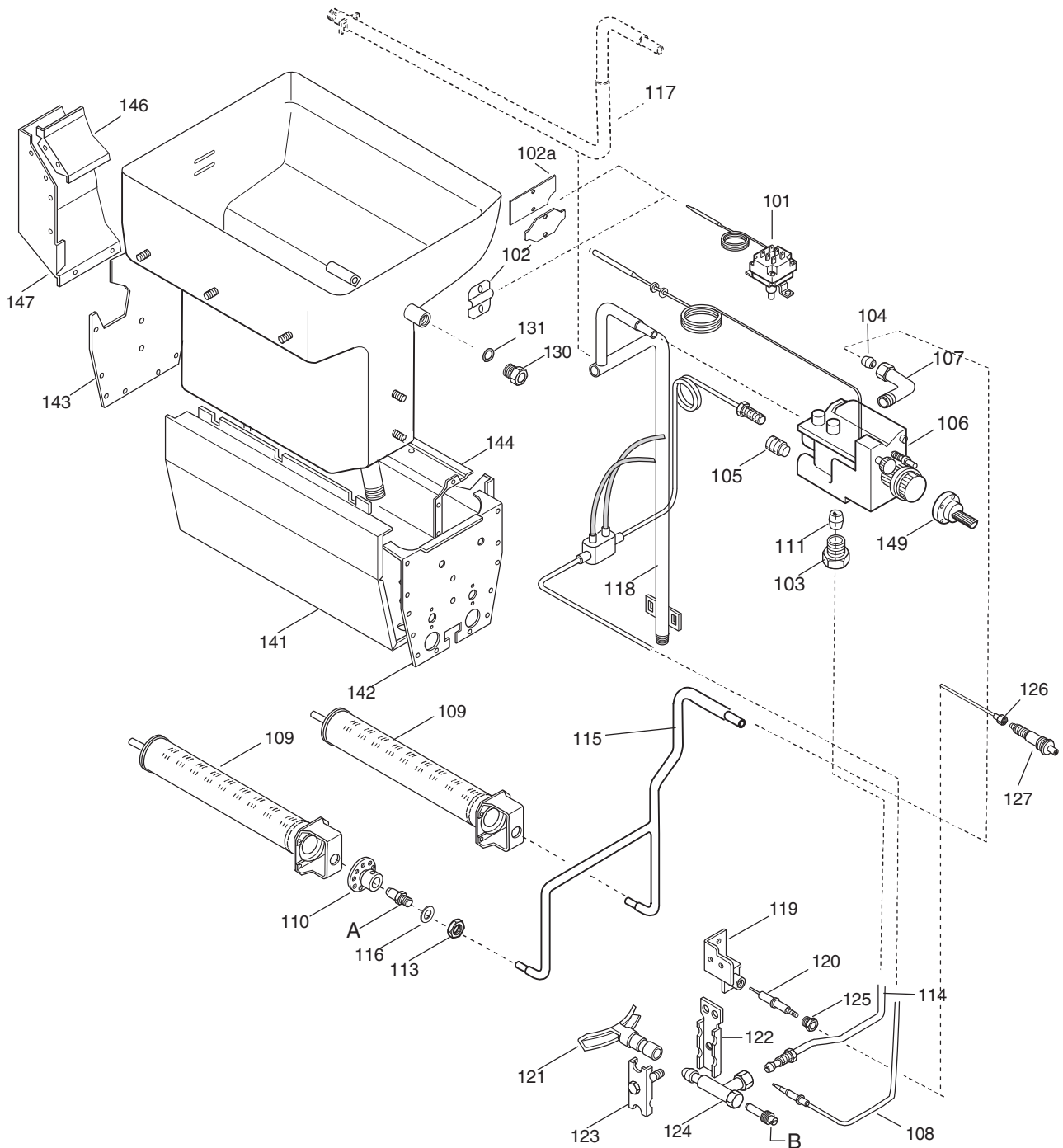
PNC	Model	Ref	Pag.	Brand	Version	Notes
371066	E7FRGD1B00	a		ELX	GAS	7 LITRE TOP 400 MM
371067	E7FRGH2B00	b		ELX	GAS	2X7 LITRE TOP 800 MM
371422	E7KKBTAOMCI	a		ELX	GAS	7 LITRE GAS FRYER TOP 400 MM
371423	E7KKBTAOMEI	b		ELX	GAS	2X7 LITRE GAS FRYER TOP 800 MM
371068	E7FRGD1BF0	c		ELX	GAS	7 LITRE 400 MM
371069	E7FRGH2BF0	d		ELX	GAS	2X7 LITRE 800 MM
372066	Z7FRGD1B00	e		ZAN	GAS	7 LITRE TOP 400 MM
372067	Z7FRGH2B00	f		ZAN	GAS	2X7 LITRE TOP 800 MM
372068	Z7FRGD1BF0	g		ZAN	GAS	7 LITRE 400 MM
372069	Z7FRGH2BF0	h		ZAN	GAS	2X7 LITRE 800 MM
373066	A7FRGD1B00	i		OEM	GAS	7 LITRE TOP 400 MM
373067	A7FRGH2B00	l		OEM	GAS	2X7 LITRE TOP 800 MM

Pag	Index	Indice	Note
2,3	General components	Componenti struttura	TB PDX2017-02
4	Gas components	Componenti Gas	
5,6,7	Spare parts list	Lista ricambi	

Brand/Marchio: All
Factory code: 9PDX







A - Ugello bruciatore / Burner nozzle			
Spare Code	Ref. / Notes		
054630	ø0.95	3+3B/P	G30 30mbar
002265	ø0.90	3B/P	G30 37mbar
003332	ø0.80	3B/P	G30 50mbar
004488	ø1.40	2H/2E+	G20 20mbar
059364	ø1.30	2H	G20 25mbar
056470	ø1.45	2L	G25 25mbar
054631	ø1.40	2K	G25.3 25mbar
003722	ø1.55	2ELL	G25 20mbar
002862	ø1.50	2S	G25.1 25mbar
0C0747	ø2.70	no CE	G110 8mbar

B - Ugello pilota / Pilot nozzle			
Spare Code	Ref. / Notes		
058330	n°25	3+3B/P	G30 30mbar
058330	n°25	3B/P	G30 37mbar
058330	n°25	3B/P	G30 50mbar
003327	n°40	2H/2E+	G20 20mbar
003327	n°40	2H	G20 25mbar
003327	n°40	2L	G25 25mbar
003327	n°40	2K	G25.3 25mbar
003327	n°40	2ELL	G25 20mbar
003327	n°40	2S	G25.1 25mbar
-	adjust	no CE	G110 8mbar

**FRIGGITRICI GAS 7L E700 XP
GAS FRYERS 7L E700 XP**

Pos	Factory Code	Spare Part Code	Descrizione	Description	Ref./Note
1	315252601	026806	PIEDE	FOOT	
2	85089F701		RIVESTIMENTO LATERALE 400mm	EXTERNAL PANEL 400mm	ELX
2	85089FA01		RIVESTIMENTO LATERALE 400mm	EXTERNAL PANEL 400mm	ZAN, OEM
2	85089F801		RIVESTIMENTO LATERALE 800mm	EXTERNAL PANEL 800mm	ELX
2	85089FB01		RIVESTIMENTO LATERALE 800mm	EXTERNAL PANEL 800mm	ZAN, OEM
8	85589BK00	0C7753	RIPIANO / VASCA 400mm	WORKTOP / TANK 400mm	ELX
8	87089KY00	0C7769	RIPIANO / VASCA 400mm	WORKTOP / TANK 400mm	ZAN, OEM
8	85589BR00	0C7759	RIPIANO / VASCA 800mm	WORKTOP / TANK 800mm	ELX
8	87089L000	0C7771	RIPIANO / VASCA 800mm	WORKTOP / TANK 800mm	ZAN, OEM
9	527850500	0C0156	PIASTRA FISSAGGIO FIANCHI	SIDE PANEL JOINTING PLATE	
10	835867802	0C2669	VALVOLA SCARICO	DRAIN VALVE	
12	517894601	0C4691	PROLUNGA PER SCARICO	DRAIN EXTENSION	
13	517862300	0C0756	MANICOTTO	COUPLING	
14	85589AY00	0C7743	CRUSCOTTO 400mm	CONTROL PANEL 400mm	ELX
14	87089KX00	0C7768	CRUSCOTTO 400mm	CONTROL PANEL 400mm	ZAN
14	50389TA00		CRUSCOTTO 400mm	CONTROL PANEL 400mm	OEM
14	85589AW00	0C7742	CRUSCOTTO 800mm	CONTROL PANEL 800mm	ELX
14	87089KZ00	0C7770	CRUSCOTTO 800mm	CONTROL PANEL 800mm	ZAN
14	50389T800	0C8041	CRUSCOTTO 800mm	CONTROL PANEL 800mm	OEM
15	0543821900	0L0113	GUARNIZIONE X CRUSCOTTO	GASKET, CONTROL PANEL	
22	830822500	005932	GRIGLIA DI FONDO	GRATE FOR BOTTOM	
26	522893501	0C2697	COPERCHIO	LID	
27	511819000	0C0614	MANIGLIA COPERCHIO	HANDLE, LID	
28	0516862900	0C0640	SUPPORTO PER CESTELLO	SUPPORT; BASKET	Up to 6221
28	0516862901	0CA773	SUPPORTO PER CESTELLO	SUPPORT; BASKET	From 6231
29	830818804	004492	CESTELLO	BASKET	
30	50389LP00	0C7333	GRIGLIA CAMINO PICCOLO	GRID, LITTLE CHIMNEY	
31	541813800	0C6171	GUARNIZIONE SILICONE	SILICONE GASKET	
32	548877Q00	0C7865	GHIERA	RING, KNOB	ELX
32	548879X00	0C7737	GHIERA	RING, KNOB	ZAN, OEM
33	218912211	069567	MOLLA PER GHIERA	SPRING, RING KNOB	
34	511850G01	0C6670	MANOPOLA TERMOSTATO	KNOB	ELX
34	548878001	0C7180	MANOPOLA TERMOSTATO	KNOB	ZAN
34	548865700	0C1380	MANOPOLA TERMOSTATO	KNOB	OEM
35	548848401	004491	PROLUNGA MANOPOLA	KNOB EXTENSION	
37	516860702	0C0137	PIASTRA GIUNZIONE APPARECC.	JOINTING REAR PLATE	
39	5038A1X02	0CA660	FONDO TOP 1/2 M	BOTTOM TOP 1/2 M	
39	5038A1W01	0TTB9W	FONDO TOP 1 M	BOTTOM TOP 1 M	
51	835856900	0C0204	PIEDE	FOOT	
51A	508898900	0C0122	PIASTRA DI RINFORZO PER PIEDE	PLATE FOR FOOT	
52	85089FD01		RIVESTIMENTO LATERALE 400	EXTERNAL PANEL 400	ELX
52	85089FH01		RIVESTIMENTO LATERALE 400	EXTERNAL PANEL 400	ZAN
52	85089FF01		RIVESTIMENTO LATERALE 800	EXTERNAL PANEL 800	ELX
52	85089FJ01		RIVESTIMENTO LATERALE 800	EXTERNAL PANEL 800	ZAN
53	51589A700	0C7164	MANIGLIA VANO	DOOR HANDLE	ELX
53	54887A802	0C8190	MANIGLIA VANO	DOOR HANDLE	ZAN
54					
58	87089L200	0C7773	RIPIANO / VASCA 400mm	WORKTOP / TANK 400mm	ELX
58	87089LQ00	0C7793	RIPIANO / VASCA 400mm	WORKTOP / TANK 400mm	ZAN
58	87089L400	0C7775	RIPIANO / VASCA 800mm	WORKTOP / TANK 800mm	ELX
58	87089L000	0C7771	RIPIANO / VASCA 800mm	WORKTOP / TANK 800mm	ZAN
59	527850500	0C0156	PIASTRA FISSAGGIO FIANCHI	SIDE PANEL JOINTING PLATE	
60	835848600	005927	VALVOLA SCARICO	DRAIN VALVE	
64	85589AZ00	0C7744	CRUSCOTTO 400mm	CONTROL PANEL 400mm	ELX
64	87089L100	0C7772	CRUSCOTTO 400mm	CONTROL PANEL 400mm	ZAN
64	85589AX00	0C7869	CRUSCOTTO 800mm	CONTROL PANEL 800mm	ELX

**FRIGGITRICI GAS 7L E700 XP
GAS FRYERS 7L E700 XP**

Pos	Factory Code	Spare Part Code	Descrizione	Description	Ref./Note
64	87089L300	0C7774	CRUSCOTTO 800mm	CONTROL PANEL 800mm	ZAN
65	0543821900	0L0113	GUARNIZIONE X CRUSCOTTO	GASKET, CONTROL PANEL	
66					
67	516860801	0C0138	CERNIERA	HINGE, DOOR	
68	516860901	0C0139	CERNIERA	HINGE, DOOR	
69	50389G300	0C7157	PORTA VANO	DOOR	
70	50489CQ00	0C7158	CONTROPORTA	INNER DOOR	
*	85089AA02	0C7156	ASSIEME PORTA (No Maniglia)	DOOR HANDLE (No Handle)	
71	830898200	0C0201	MAGNETE PER PORTA	MAGNET, DOOR	
72	830822500	005932	GRIGLIA DI FONDO	GRATE FOR BOTTOM	
73	502898403	005922	BACINELLA PER OLIO	BASIN FOR BASIN	
75	516843003	005923	MANIGLIA BACINELLA	HANDLE, BASIN	
76	522893501	0C2697	COPERCHIO	LID	
77	511819000	0C0614	MANIGLIA COPERCHIO	HANDLE, LID	
78	516862900	0C0640	SUPPORTO PER CESTELLO	SUPPORT; BASKET	
79	830818802	004492	CESTELLO	BASKET	
80	50389LP00	0C7333	GRIGLIA CAMINO	GRID, LITTLE CHIMNEY	
81	541813800	0C6171	GUARNIZIONE SILICONE	SILICONE GASKET	
82	548877Q00	0C7865	GHIERA	RING, KNOB	ELX
82	548879X00	0C7737	GHIERA	RING, KNOB	ZAN
83	218912211	069567	MOLLA PER GHIERA	SPRING, RING KNOB	
84	511850G01	0C6670	MANOPOLA TERMOSTATO	KNOB	ELX
84	548878001	0C7180	MANOPOLA TERMOSTATO	KNOB	ZAN
84	548865700	0C1380	MANOPOLA TERMOSTATO	KNOB	OEM
85	548848401	004491	PROLUNGA MANOPOLA	KNOB EXTENSION	
87	516860702	0C0137	PIASTRA GIUNZIONE APPARECC.	JOINTING REAR PLATE	
101	646816500	0C4279	LIMITATORE DI TEMPERATURA	SAFETY THERMOSTAT	
102	527871901	0C4749	SUPPORTO BULBO LIMITATORE	SUPPORT SAFETY THERMOSTAT	
102a	569806300	0C4748	ISOLANTE LIMITATORE	INSULATION SAFETY THERMOSTAT	
103	516865800	0C0625	RACCORDO 3/8"	3/8" PIPE FITTING	TB PDX2017-02
104	215170716	050682	OGIVA	RING	TB PDX2017-02
105	516865800	0C0625	TAPPO PER VALVOLA	STOPPER, VALVE	
106	835838703	003334	VALVOLA GAS	GAS VALVE	
107	515863200	0C0631	RACCORDO A "L"	L PIPE FITTING	
108	831818901	0C3162	TERMOCOPPIA; INTERROTTA	THERMOCOUPLE; INTERRUPTED	
109	830807601	003326	BRUCIATORE	BURNER	
110	830827102	054085	AERATORE	AERATOR	
113	214105101	020997	CONTRODADO	LOCK NUT	
114	517896701	0C5110	CONDUTTURA PILOTA	PIPE, PILOT	
115	517894501	0C3747	CONDUTTURA VALVOLA-BRUCIATORE	PIPE VALVE-BURNER	TB PDX2017-02
116	506833401	054029	GUARNIZIONE	GASKET	
117	517894100	*	ENTRATA GAS FRIGG.7L TOP	GAS INLET 7L TOP	From 3481 7 litre top 400 mm
117	517894200	*	ENTRATA GAS FRIGG.7+7L TOP	GAS INLET 7+7L TOP	From 3481 2X7 litre top 800 mm
118	517894501	0C3747	ENTRATA GAS FRIGG.7L	GAS INLET 7L	Up to 3471
118	517894301	*	ENTRATA GAS FRIGG.7L	GAS INLET 7L	From 3481 7 litre 400 mm
118	517894401	0CB219	ENTRATA GAS FRIGG.7+7L	GAS INLET 7+7L	From 3481 2X7 litre 800 mm
119	830823001	*	SUPPORTO PILOTA	SUPPORT, PILOT	
120	330272401	052610	ELETTRODO; ACCENSIONE	ELECTRODE	
121	830810601	003328	CANNELLO PILOTA	BLOW PIPE	
122	206993500	052256	STAFFA	BRACKET	
123	206649700	052246	STAFFA	BRACKET	
124	835854800	006725	PILOTA	PILOT BURNER	
125	214164101	057960	RACCORDO ELETTRODO	PIPE FITTING, ELECTRODE	

**FRIGGITRICI GAS 7L E700 XP
GAS FRYERS 7L E700 XP**

<i>Pos</i>	<i>Factory Code</i>	<i>Spare Part Code</i>	<i>Descrizione</i>	<i>Description</i>	<i>Ref./Note</i>
126	638883500	006514	CAVO ACCENSIONE	CABLE IGNITER	
127	835829600	059251	ACCENDITORE	LIGHTER	
128					
129					
130	514874500	059295	RACCORDO	PIPE FITTING	
131		059293	GUARNIZIONE	GASKET	
141	533823302	*	CAMERA DI COMBUSTIONE	COMBUSTION CHAMBER	
142	533823403	*	PARETE ANT. CAM. COMB.	FRONT PANEL	
143	533823501	*	PARETE POST. CAM. COMB.	REAR PANEL	
144	533823000	*	CONVOGLIATORE FUMI	CONVEJOR	
146	533823100	*	PARETE ANT. CAMINO	FRONT CHIMNEY	
147	533823200	*	PARETE POST. CAMINO	REAR CHIMNEY	
148	511805401	059250	PORTAUGELLO 90°	INJECTOR HOLDER 90°	
149	548848401	004491	PROLUNGA MANOPOLA	EXTENSION KNOB	

Finanzen/Service

28307 Bremen
Thalendorststraße 15
Tel.+49 421 48557-0
Fax+49 421 488650
bremen@nordcap.de

Vertrieb Ost

12681 Berlin
Wolfener Straße 32/34, HausK
Tel.+49 30 936684-0
Fax+49 30 936684-44
berlin@nordcap.de

Vertrieb West

40699 Erkrath
Max-Planck-Straße 30
Tel.+49 211 540054-0
Fax+49 211 540054-54
erkrath@nordcap.de

Vertrieb Nord

21079 Hamburg
Großmoorbogen 5
Tel.+49 40 766183-0
Fax+49 40 770799
hamburg@nordcap.de

Vertrieb Süd

55218 Ingelheim
Hermann-Bopp-Straße 4
Tel.+49 6132 7101-0
Fax+49 6132 7101-20
ingelheim@nordcap.de



www.nordcap.de