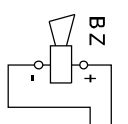
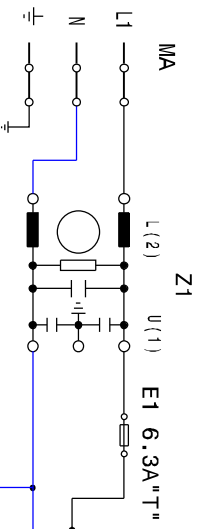


Schaltplan

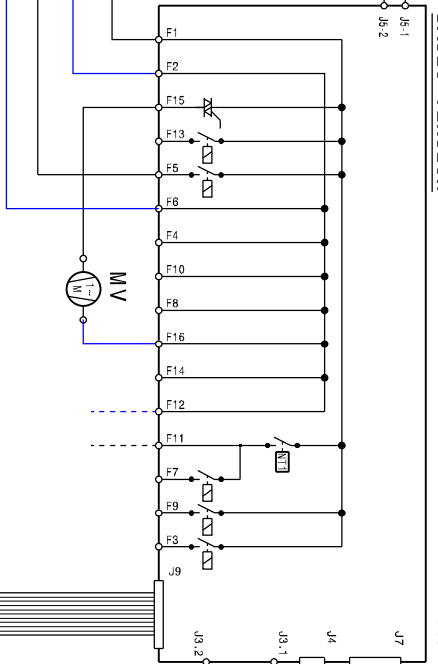
Gas-Fritteuse GF9 / 1VB-23L-U1S-P-LS-AC



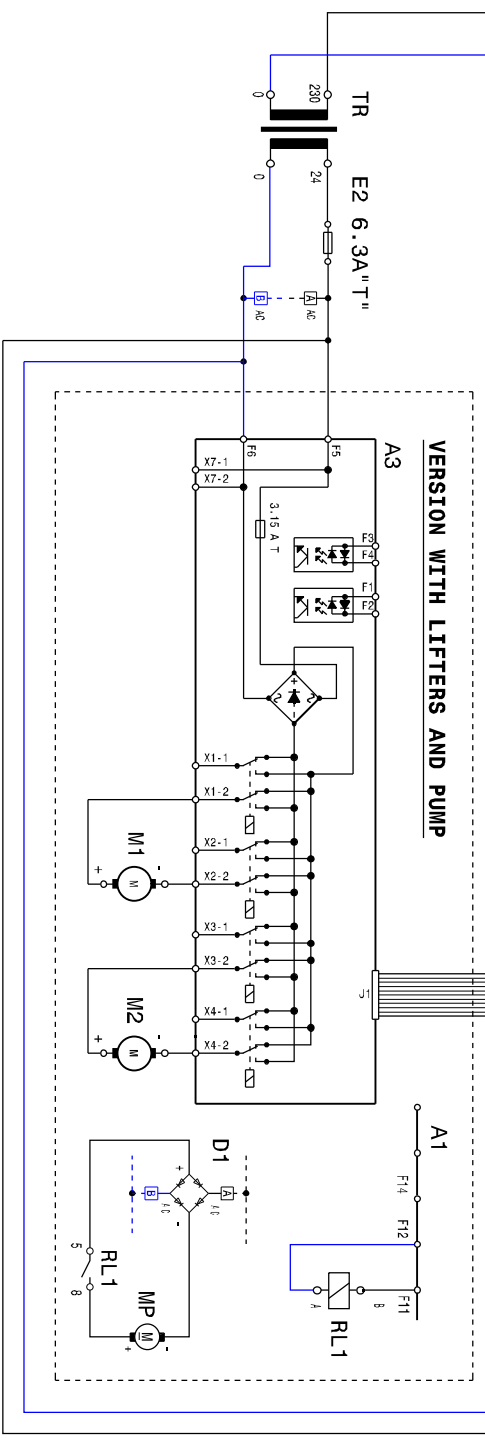
MODEL 23LT GAS
230V 1N ~ 50HZ
P=0,2 KW



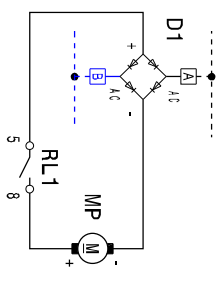
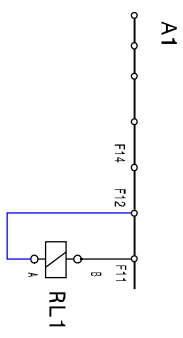
BASIC VERSION



VERSION WITH LIFTERS AND PUMP



VERSION WITH PUMP



NT1	SONDA TEMPERATURA	TEMPERATURE PROBE
BZ	BUZZER	BUZZER
MV	VENTILATORE	FAN
M1 -M2	MOTORI SOLLEVAMENTO	LIFTING MOTORS
RL1	RELE' POMPA	PUMP RELAY
MP	MOTORE POMPA	PUMP MOTOR
D1	PONTE A DIODI	DIODE BRIDGE
A3	SCHEDA RELE' SOLLEVAMENTO	LIFTERS BOARD
A2	SCHEDA INTERFACCIA UTENTE	USER INTERFACE
A1	TRASFORMATORE 230-24V	TRANSFORMATOR 230-24V
TR	ACCENDITORE	IGNITION SYSTEM
AC	PULSANTE ACCENDITORE	IGNITION SYSTEM PUSH BOTTON
B5	ELETTROVALVOLA GAS	GAS MAGNETIC VALVE
S1	TERMOCOPIA	THERMOCOUPLE
TC	LIMITATORE DI TEMPERATURA	TEMPERATURE LIMITING THERMOSTAT
F2	FUSIBILI	FUSES
E1-2	FILTRO ANTIDISTURBO	RADIO INTERFERENCE FILTER
Z1	MORSETTIERA DI ALLACCIAMENTO	MAIN TERMINAL BOARD
MA		

SCHEMA EL. FRGG. AUT. HP GAS 23LT 230V 50HZ From S/N : N° : 602898Z00

Finanzen/Service

28307 Bremen
Thalendorststraße 15
Tel.+49 421 48557-0
Fax+49 421 488650
bremen@nordcap.de

Vertrieb Ost

12681 Berlin
Wolfener Straße 32/34, HausK
Tel.+49 30 936684-0
Fax+49 30 936684-44
berlin@nordcap.de

Vertrieb West

40699 Erkrath
Max-Planck-Straße 30
Tel.+49 211 540054-0
Fax+49 211 540054-54
erkrath@nordcap.de

Vertrieb Nord

21079 Hamburg
Großmoorbogen 5
Tel.+49 40 766183-0
Fax+49 40 770799
hamburg@nordcap.de

Vertrieb Süd

55218 Ingelheim
Hermann-Bopp-Straße 4
Tel.+49 6132 7101-0
Fax+49 6132 7101-20
ingelheim@nordcap.de



www.nordcap.de