

# Ersatzteilliste-Explosionszeichnung

## Unterbauschrank - ungekühlt **UE7 / 400-O**

[Art. 406371112]



**OPEN BASE & ACCESSORIES**  
**BASE APERTA ED ACCESSORI**

PNC	Model	Pag	Description
371263	E7BAMD00O00	2	OPEN BASE 400MM W/FLANGED FEET X 700MM
371264	E7BAMH00O00	2	OPEN BASE 800MM W/FLANGED FEET X 700MM
371265	E7BAML00O00	2	OPEN BASE 1200MM W/FLANGED FEET X 700MM
391326	E9BAMD00O00	2	OPEN BASE 400MM W/FLANGED FEET X 900MM
391327	E9BAMH00O00	2	OPEN BASE 800MM W/FLANGED FEET X 900MM
391328	E9BAML00O00	2	OPEN BASE 1200MM W/FLANGED FEET X 900MM
371112	E7BAND00O00	2	OPEN BASE 400MM X 700MM
371113	E7BANH00O00	2	OPEN BASE 800MM X 700MM
371114	E7BANL00O00	2	OPEN BASE 1200MM X 700MM
373277	O7WTNUN0O00	2	AMBIENT WORKTOP ON BASE 250 MM-OEM
373278	O7WTNCN0O00	2	AMBIENT WORKTOP ON BASE 300 MM-OEM
373279	O7WTNVN0O00	2	AMBIENT WORKTOP ON BASE 350 MM-OEM
391153	E9BAND00O00	2	OPEN BASE 400MM X 900MM
391154	E9BANH00O00	2	OPEN BASE 800MM X 900MM
391155	E9BANL00O00	2	OPEN BASE 1200MM X 900MM
206350	DOOREL	2	DOOR 700MM & 900MM - ELUX
206342	DOORZAN	2	DOOR 700MM & 900MM - ZAN
206343	DOOR2BRAND	2	DOOR 700MM & 900MM - OEM
206318	2DRW700E	3	DRAWERS 700MM - ELUX
206360	2DRW700Z	3	DRAWERS 700MM - ZAN
206328	2DRW700O	3	DRAWERS 700MM - OEM
206334	2DRW900E	3	DRAWERS 900MM - ELUX
206361	2DRW900Z	3	DRAWERS 900MM - ZAN
206333	2DRW900O	3	DRAWERS 900MM - OEM
206259	HEATKIT	4	HEATER KIT 700MM & 900MM
206245	CENTRSUPP	5	CENTER SUPPORT 700MM & 900MM
206257	GN700BASE	5	GN TRAY RACK 700MM
206145	NSGV	5	GN TRAY RACK 900MM

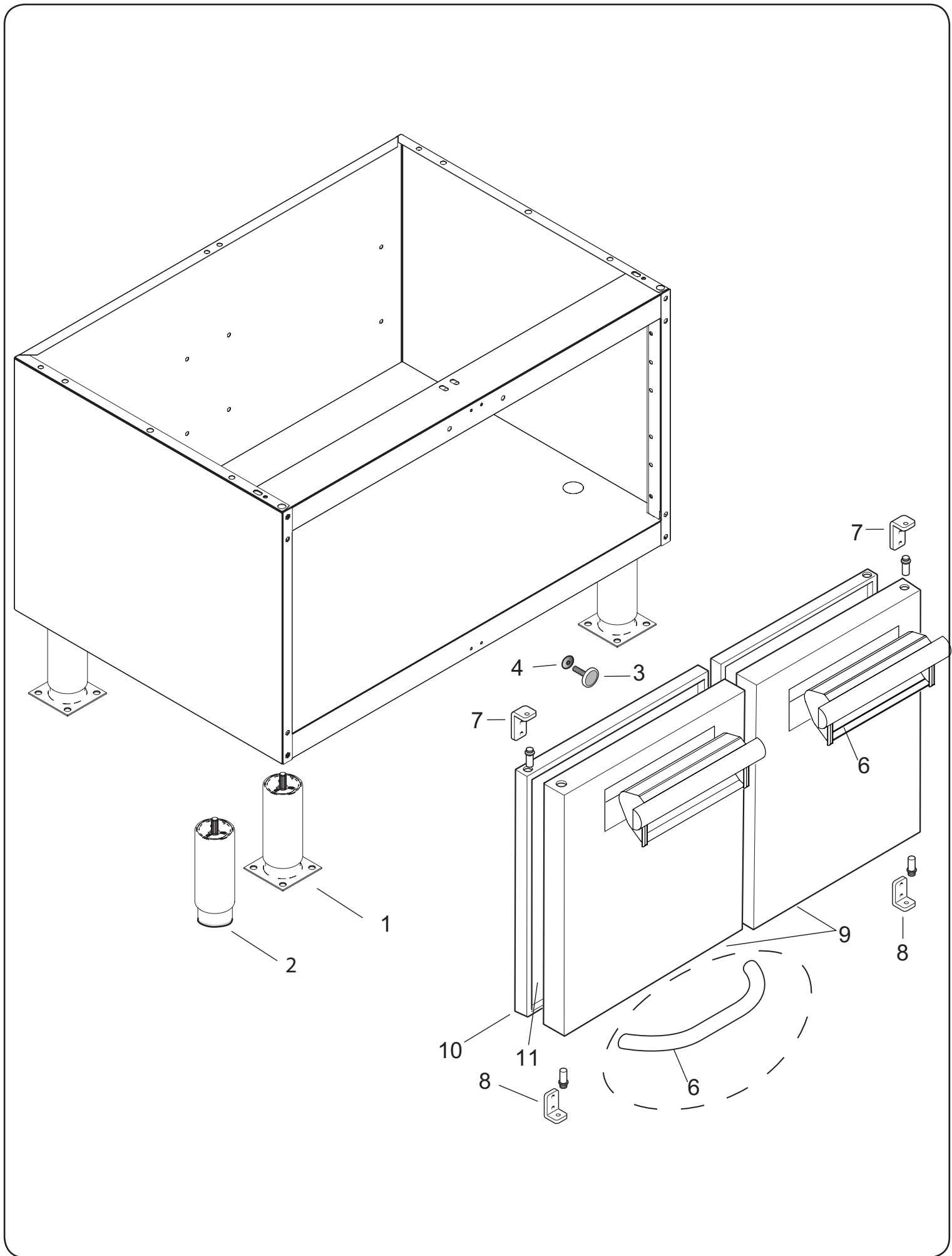
**Index**

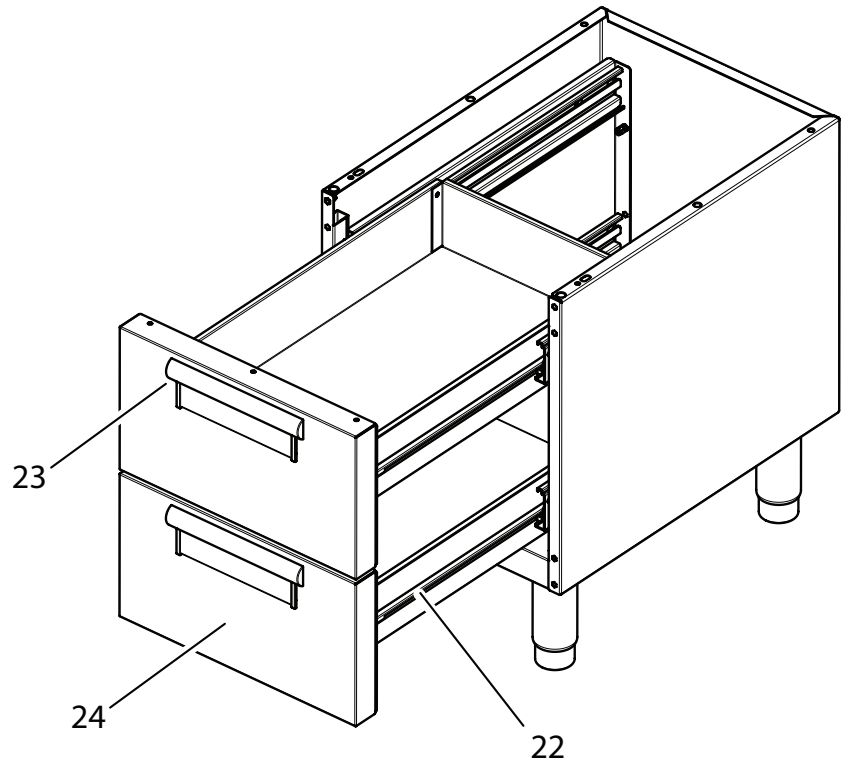
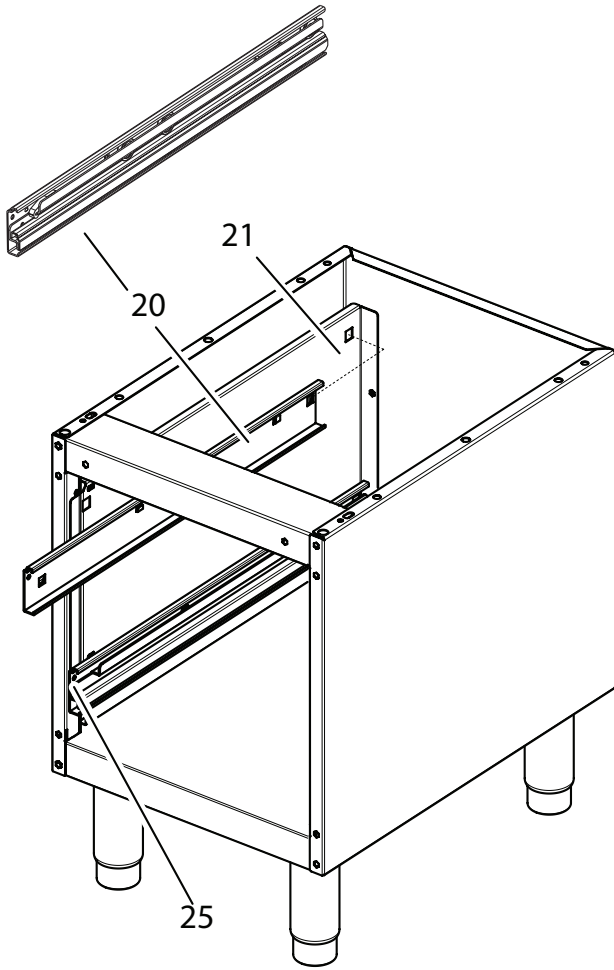
Door kit / Kit porte	<b>Page</b>
Drawers / Cassetti	2
Heater kit / Kit riscaldante	3
Support structure / Struttura di supporto	4
Spare parts list / Lista ricambi	5
	6,7

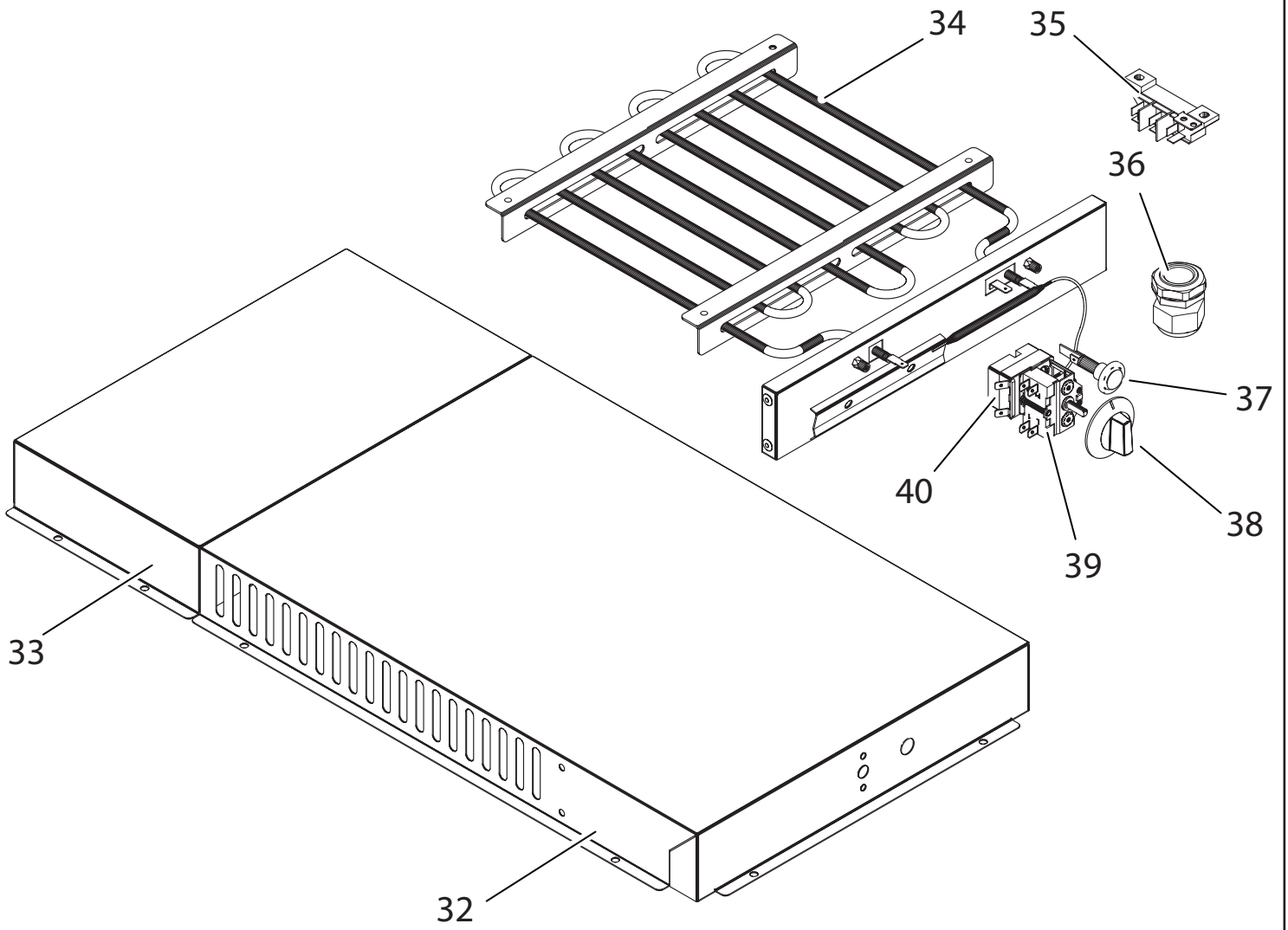
**Bold=last change / Grassetto =ultima modifica**

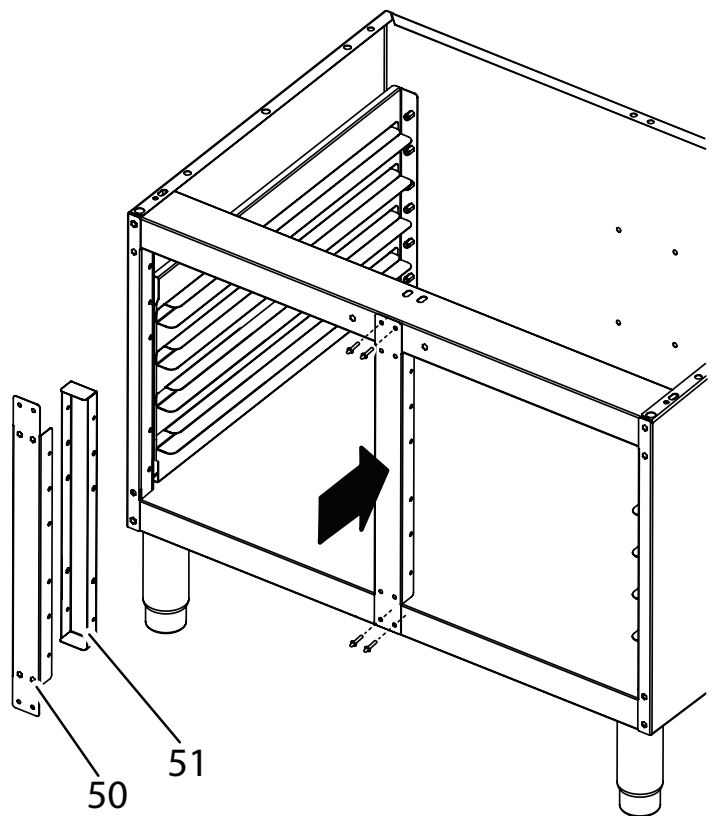
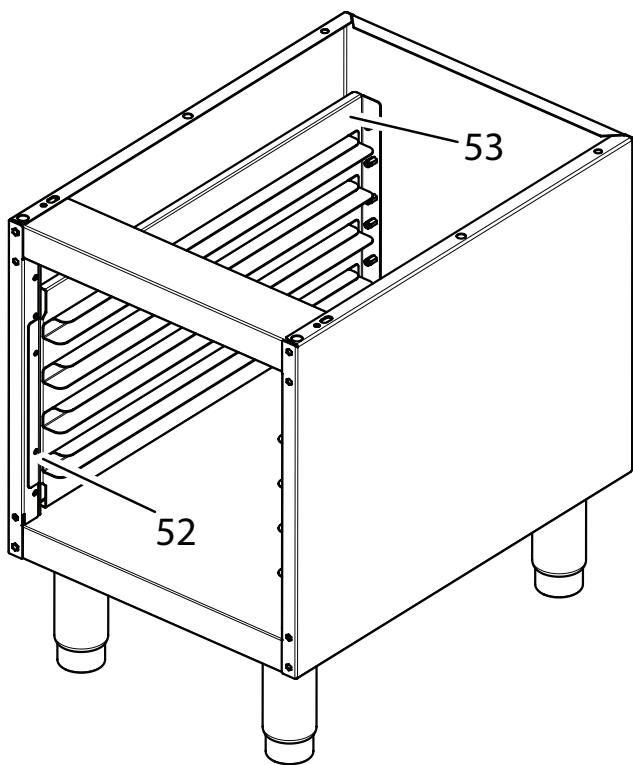
**NOTE: not all accessories are included in this SPC**

Rev. 2









OPEN BASE & ACCESSORIES  
BASE APERTA ED ACCESSORI

Pos	Spare Code	Factory Code	Descrizione	Description	Ref./Notes
1	0C3324	806844600	PIEDE CON FLANGIA (MARINE)	MARINE FOOT	
2	0C0204	835856900	PIEDE STANDARD	STANDARD FOOT	
3	0C0201	830898201	MAGNETE PORTA	DOOR MAGNET	
4	0C6171	541813800	RONDELLA SILICONE	SILICONE WASHER	
6	0C7164	51589A700	MANIGLIA	HANDLE	Elux
6	0C8190	54887A802	MANIGLIA	HANDLE	Zan
6	0A5021	854864203	MANIGLIA	HANDLE	OEM
7	0C0139	516860901	CERNIERA SUP.	UPPER. HINGE, DOOR	
8	0C0138	516860801	CERNIERA INF.	BOTTOM HINGE, DOOR	
9	0C7156	85089AA04	ASSIEME PORTA (SENZA MANIGLIA)	COMPLETE DOOR (NO HANLE)	Elux, Zan
9	*	85089JX02	ASSIEME PORTA (SENZA MANIGLIA)	COMPLETE DOOR (NO HANLE)	OEM
9	*	<b>85089P500</b>	<b>ASSIEME PORTA (SENZA MANIGLIA)</b>	<b>COMPLETE DOOR (NO HANLE)</b>	<b>250 mm</b>
9	*	<b>85089P600</b>	<b>ASSIEME PORTA (SENZA MANIGLIA)</b>	<b>COMPLETE DOOR (NO HANLE)</b>	<b>300 mm</b>
9	*	<b>85089P700</b>	<b>ASSIEME PORTA (SENZA MANIGLIA)</b>	<b>COMPLETE DOOR (NO HANLE)</b>	<b>350 mm</b>
10	0C7158	50489CQ00	CONTROPORTA	INNER DOOR	
10	*	<b>50489WN00</b>	<b>CONTROPORTA</b>	<b>INNER DOOR</b>	<b>250 mm</b>
10	*	<b>50489WP00</b>	<b>CONTROPORTA</b>	<b>INNER DOOR</b>	<b>300 mm</b>
10	*	<b>50489WQ00</b>	<b>CONTROPORTA</b>	<b>INNER DOOR</b>	<b>350 mm</b>
11	0C4433	565819900	DISTANZIALE PORTA (ISOLAMENTO)	DOOR SPACER (ISOLATION)	
20	0C7845	835875Z00	GUIDE CASSETTO con rulliera (1 coppia)	DRAWER GUIDE with rollers (1 pair)	700 & 900
21	0TTU15	50289C902	SUPPORTO GUIDE SX	GUIDE SUPPORT (LEFT SIDE)	700
21	0C9208	50289CD01	SUPPORTO GUIDE SX	GUIDE SUPPORT (LEFT SIDE)	900
21	0TTU14	50289CA02	SUPPORTO GUIDE DX	GUIDE SUPPORT (RIGHT SIDE)	700
21	0C8428	50289CC01	SUPPORTO GUIDE DX	GUIDE SUPPORT (RIGHT SIDE)	900
22	0C9841	85089DK00	CASSETTO CON GUIDE	DRAWER WITH GUIDES	700&900 Pos 20 included Pos 24 not included
23	0C8769	54887AH00	MANIGLIA	DRAWER HANDLE	ELUX
23	<b>0C8190</b>	<b>54887A803</b>	<b>MANIGLIA</b>	<b>DRAWER HANDLE</b>	<b>ZAN</b>
23	0C7175	548876R02	MANIGLIA	DRAWER HANDLE	OEM
24	*	5038A5T00	FRONTALE CASSETTO	DRAWER FRONT PANEL	
24	*	5038A5S00	CONTROCASSETTO	DRAWER FRONT PANEL (BACK SIDE)	
25	052126	214442702	INSERTO FILETTATO	SUPPORT STOPPER	4PCS LEFT 4PSC RIGHT
32	*	50289C800	SCATOLA GRUPPO RISCALDANTE	BOX	For 700 pnc's
33	*	5038AA100	SCATOLA ESTENSIONE	EXTENSION BOX	For 900 pnc's
34	0C7196	617839G00	RESISTENZA	HEATING ELEMENT	
35	*	639804901	MORSETTIERA	TERMINAL BOARD	
36	0C0068	544802300	FERMACAVO	CABLE STOPPER	
37	005010	876800002	LAMPADA VERDE	GREEN LAMP	
38	0A2269	0A05437100	MANOPOLA	KNOB	
39	0A2036	0A05211001	INTERRUTTORE BIPOLARE	ON/OFF SWITCH	
40	0A2018	0A05005903	TERMOSTATO UNIPOLARE	THERMOSTAT	
50	*	83089HW00	MONTANTE CENTRALE	CENTRAL SUPPORT	
51	*	528855800	CHIUSURA POSTERIORE MONT. CENT.	BACK COVER CENT. SUPP.	
52	052126	214442702	INSERTO FILETTATO	SUPPORT STOPPER	2PCS LEFT 2PCS RIGHT

OPEN BASE & ACCESSORIES  
 BASE APERTA ED ACCESSORI

Pos	Spare Code	Factory Code	Descrizione	Description	Ref./Notes
53	*	85089K901	ASSIEME SUPPORTO SX	SUPPORT STRUCTURE	700mm LEFT
	*	85089K801	ASSIEME SUPPORTO DX	SUPPORT STRUCTURE	700mm RIGHT
	0CA754	853877702	ASSIEME SUPPORTO SX	SUPPORT STRUCTURE	900mm LEFT
	0CA659	853877802	ASSIEME SUPPORTO DX	SUPPORT STRUCTURE	900mm RIGHT





Electrolux Professional SPA  
Viale Treviso 15  
33170 Pordenone  
[www.electrolux-professional.com](http://www.electrolux-professional.com)

NordCap GmbH & Co. KG  
Thalendorststraße 15  
28307 Bremen  
Hauptsitz (Service, Finanzen & Personal, Lager, IT, Marketing)

Telefon: +49 421 48557-0  
Telefax: +49 421 488650  
E-Mail: [bremen@nordcap.de](mailto:bremen@nordcap.de)

Die NordCap Verkaufsniederlassungen in Deutschland:

Nord: Hamburg • Ost: Berlin • Süd: Ingelheim • West: Erkrath

by **NordCap**<sup>®</sup>

**ZANUSSI**  
PROFESSIONAL