

Ersatzteilliste-Explosionszeichnung

Gasherd **GH9 / 2F-20-T**

[Art. 406392001]



CUCINE TOP GAS E900XP GAS COOKING TOP E900XP

PNC	Model	Ref	Brand	Burner	Notes
391000	E9GCGD2C00	a	Elx	2	TOP 400
391001	E9GCGD2C0M	b	Elx	2 (10KW)	TOP 400
391002	E9GCGH4C00	c	Elx	4	TOP 800
391003	E9GCGH4C0M	d	Elx	4 (10KW)	TOP 800
391011	E9GCGL6C00	e	Elx	6	TOP 1200
391012	E9GCGL6C0M	f	Elx	6 (10KW)	TOP 1200
391192	E9GCTD2C0M	g	Elx	2 (7.5KW)	TOP 400 TOWN GAS
391193	E9GCTH4C00	h	Elx	4	TOP 800 TOWN GAS
391194	E9GCTH4C0M	i	Elx	4 (7.5KW)	TOP 800 TOWN GAS
391196	E9GCTL6C0M	l	Elx	6 (7.5KW)	TOP 1200 TOWN GAS
392000	Z9GCGD2S00	m	Zan	2	TOP 400
392001	Z9GCGD2S0M	n	Zan	2 (10KW)	TOP 400
392002	Z9GCGH4S00	o	Zan	4	TOP 800
392003	Z9GCGH4S0M	p	Zan	4 (10KW)	TOP 800
392011	Z9GCGL6S00	q	Zan	6	TOP 1200
392012	Z9GCGL6S0M	r	Zan	6 (10KW)	TOP 1200
392025	Z9GCGD2C00	s	Zan	2	TOP 400 CAST IRON
392026	Z9GCGD2C0M	t	Zan	2	TOP 400 CAST IRON
392027	Z9GCGH4C00	u	Zan	4	TOP 800 CAST IRON
392028	Z9GCGH4C0M	v	Zan	4	TOP 800 CAST IRON
392033	Z9GCGL6C00	z	Zan	6	TOP 1200 CAST IRON
392034	Z9GCGL6C0M	a1	Zan	6	TOP 1200 CAST IRON
392192	Z9GCTD2C0M	b1	Zan	2 (7.5KW)	TOP 400 TOWN GAS
392193	Z9GCTH4C00	c1	Zan	4	TOP 800 TOWN GAS
392194	Z9GCTH4C0M	d1	Zan	4 (7.5KW)	TOP 800 TOWN GAS
392196	Z9GCTL6C0M	e1	Zan	6 (7.5KW)	TOP 1200 TOWN GAS
393000	A9GCGD2C00	f1	OEM	2	TOP 400
393001	A9GCGD2C0M	g1	OEM	2 (10KW)	TOP 400
393002	A9GCGH4C00	h1	OEM	4	TOP 800
393003	A9GCGH4C0M	i1	OEM	4 (10KW)	TOP 800
393011	A9GCGL6C00	l1	OEM	6	TOP 1200
393012	A9GCGL6C0M	m1	OEM	6 (10KW)	TOP 1200

Index

Gas top / Componenti top
Gas components / componenti gas
Nozzles table / Tabelle ugelli
Spare parts list / Lista ricambi

Page

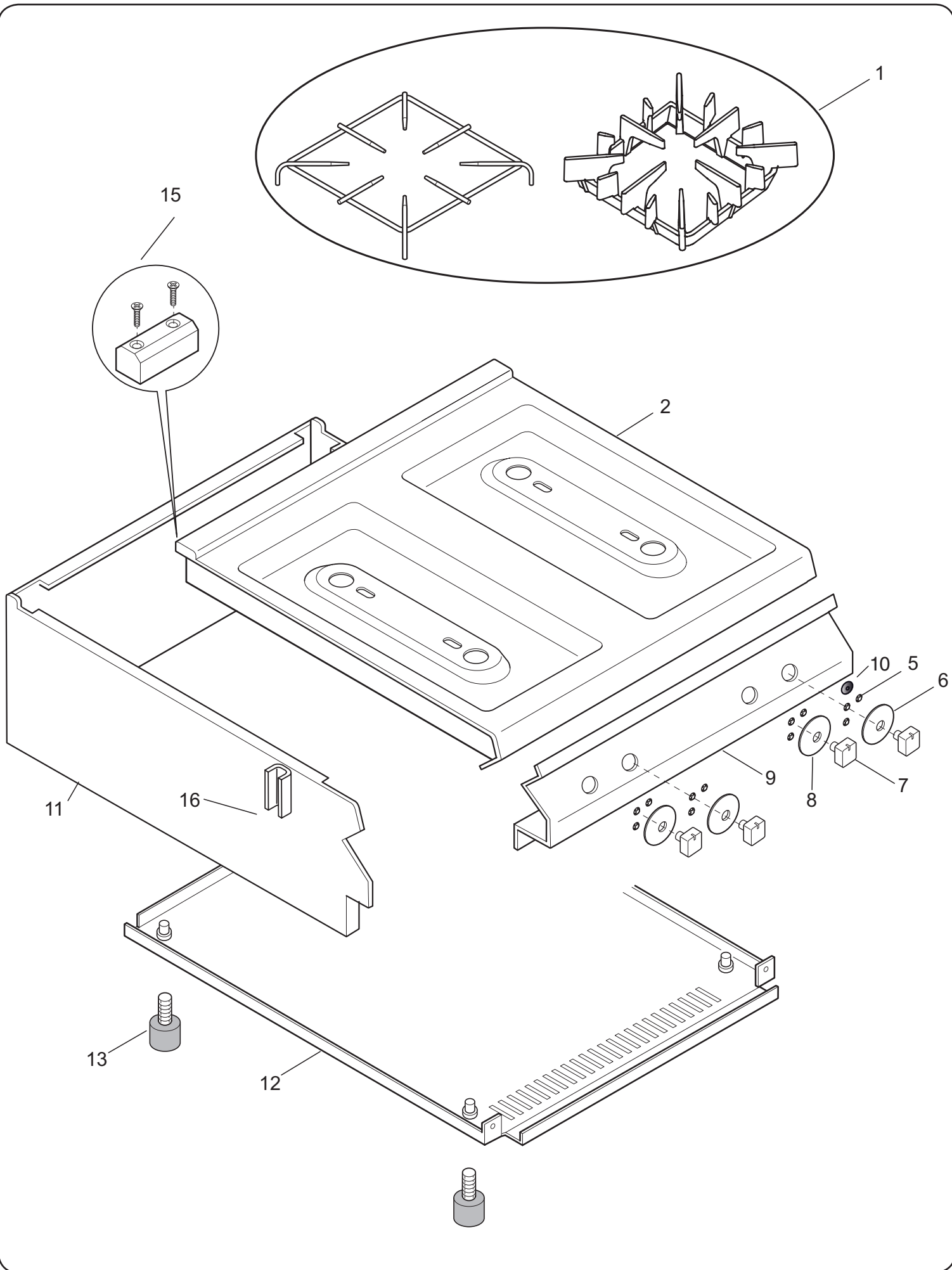
2
3
4
5-6

Notes

Bold=last change / Grassetto =ultima modifica

Rev. 2

From Ser. Nr. 116 Up to Ser. Nr.	Ed. 2011-04 Updated 2020-03	Page: 1	Doc No:59785FN00
-------------------------------------	--------------------------------	---------	-------------------------



A - Ugello bruciatore / Burner nozzle ø60				A - Ugello bruciatore / Burner nozzle ø100			
Spare Code	Ref. / Notes			Spare Code	Ref./ Notes		
0A2101	ø1.25	3+3B/P	G30 30mbar	0A2089	ø1.60	3+3B/P	G30 30mbar
0A2650	ø1.20	3B/P	G30 37mbar	059384	ø1.50	3B/P	G30 37mbar
0C0147	ø1.10	3B/P	G30 50mbar	0C0148	ø1.45	3B/P	G30 50mbar
0C0141	ø1.95	2H/2E+	G20 20mbar	0C0144	ø2.60	2H/2E+	G20 20mbar
A05176400	Ø1.85	2H	G20 25mbar	0C4154	Ø2.15/2.60	2H	G20 25mbar
0C0142	ø2.05	2L	G25 25mbar	0C0145	ø2.65	2L	G25 25mbar
51689AP00	ø1.90	2K	G25.3 25mbar	51689AQ00	ø2.55	2K	G25.3 25mbar
0C0143	ø2.20	2ELL	G25 20mbar	0C0146	ø2.75	2ELL	G25 20mbar
0C7942	Ø1.85/2.25	2S	G25.1 25mbar	0C4153	Ø2.45/3.30	2S	G25.1 25mbar
0C3657	ø3.60	1a	G110 8mbar	0C3655	ø5.00	1a	G110 8mbar
0C3658	ø3.30	1b	G120 8mbar	0C3656	Ø4.40	1b	G120 8mbar

E - Ugello pilota / Pilot nozzle			
Spare Code	Ref./ Notes		
054593	n°25	3+3B/P	G30 30mbar
054593	n°25	3B/P	G30 37mbar
054593	n°25	3B/P	G30 50mbar
053670	n°41	2H/2E+	G20 20mbar
053670	n°41	2H	G20 25mbar
053670	n°41	2L	G25 25mbar
053670	n°41	2K	G25.3 25mbar
053670	n°41	2ELL	G25 20mbar
053670	n°41	2S	G25.1 25mbar
053669	n°75	1a	G110 8mbar
053669	n°75	1b	G120 8mbar

D - Vite di minimo / Min screw ø60				D - Vite di minimo / Min screw ø100			
Spare Code	Ref. / Notes			Spare Code	Ref./ Notes		
002911	Ø0.55	3+3B/P	G30 30mbar	002769	Ø0.75	3+3B/P	G30 30mbar
002911	Ø0.55	3B/P	G30 37mbar	002908	Ø0.70	3B/P	G30 37mbar
002925	Ø0.50	3B/P	G30 50mbar	002991	Ø0.65	3B/P	G30 50mbar
002899	Ø0.80	2H/2E+	G20 20mbar	002902	Ø1.05	2H/2E+	G20 20mbar
002899	Ø0.80	2H	G20 25mbar	002902	Ø1.05	2H	G20 25mbar
002899	Ø0.80	2L	G25 25mbar	002902	Ø1.05	2L	G25 25mbar
002899	Ø0.80	2K	G25.3 25mbar	002902	Ø1.05	2K	G25.3 25mbar
002899	Ø0.80	2ELL	G25 20mbar	002902	Ø1.05	2ELL	G25 20mbar
002899	Ø0.80	2S	G25.1 25mbar	002902	Ø1.05	2S	G25.1 25mbar
-	adjust	1a	G110 8mbar	-	adjust	1a	G110 8mbar
-	adjust	1b	G120 8mbar	-	adjust	1b	G120 8mbar

CUCINE TOP GAS E900XP
GAS COOKING TOP E900XP

Pos	Spare Part Code	Factory Code	Descrizione	Description	Ref./Notes
			PAGINA 2	PAGE 2	
1	0C1278	510819606	GRIGLIA FUOCHI ACCIAIO	STAINLESS STEEL GRID	
1	0C1985	510821002	GRIGLIA FUOCHI GHISA	CAST IRON GRID	ELX-ZAN, CAST IRON
1	0C0132	510819903	GRIGLIA FUOCHI GHISA	CAST IRON GRID	OEM, CAST IRON
2	0C7295	85089BU00	RIPIANO 400mm	TABLE TOP 400mm	ELX
2	0C7296	85089BV00	RIPIANO 800mm	TABLE TOP 800mm	ELX
2	0C7297	85089BX00	RIPIANO 1200mm	TABLE TOP 1200mm	ELX
2	0C7298	85089C100	RIPIANO 400mm	TABLE TOP 400mm	ZAN, OEM
2	0C7299	85089C200	RIPIANO 800mm	TABLE TOP 800mm	ZAN, OEM
2	0C7300	85089C400	RIPIANO 1200mm	TABLE TOP 1200mm	ZAN, OEM
3		50589CB00	RINFORZO FIANCO SINISTRO	LEFT SIDE PANEL STIFFENING	
3		50589CC00	RINFORZO FIANCO DESTRO	LEFT SIDE PANEL RIGHT	
4					
5	069567	218912211	MOLLETTA PER GHIERA	SPRING, KNOB RING	
6	0C6671	548876S00	GHIERA MANOPOLA FUOCHI ANT.	KNOB RING, FRONT BURNER	ELX
6	0C7243	548879F00	GHIERA MANOPOLA FUOCHI ANT.	KNOB RING, FRONT BURNER	ZAN, OEM
7	0C7330	511850D02	MANOPOLA PER RUBINETTO GAS	KNOB, GAS TAP	ELX
7	0C7425	548878101	MANOPOLA PER RUBINETTO GAS	KNOB, GAS TAP	ZAN
7	0C1007	548865600	MANOPOLA PER RUBINETTO GAS	KNOB, GAS TAP	OEM
8	0C7332	548876T00	GHIERA MANOPOLA FUOCHI POS.	KNOB RING FOR REAR BURNER	ELX
8	0C7244	548879G00	GHIERA MANOPOLA FUOCHI POS.	KNOB RING FOR REAR BURNER	ZAN, OEM
9	0C7292	85089B100	CRUSCOTTO 400mm	CONTROL PANEL 400mm	ELX
9	0C7293	85089B200	CRUSCOTTO 800mm	CONTROL PANEL 800mm	ELX
9	0C7294	85089B600	CRUSCOTTO 1200mm	CONTROL PANEL 1200mm	ELX
9	0C7313	87089GB00	CRUSCOTTO 400mm	CONTROL PANEL 400mm	ZAN
9	0C7314	87089GC00	CRUSCOTTO 800mm	CONTROL PANEL 800mm	ZAN
9	0C7315	87089GF00	CRUSCOTTO 1200mm	CONTROL PANEL 1200mm	ZAN
9	*	50389LU00	CRUSCOTTO 400mm	CONTROL PANEL 400mm	OEM
9	0CB192	50389LV00	CRUSCOTTO 800mm	CONTROL PANEL 800mm	OEM
9	*	50389LZ00	CRUSCOTTO 1200mm	CONTROL PANEL 1200mm	OEM
10	0C6171	0541813800	RONDELLA SILICONE	SILICONE WASHER	
11	*	85089DR00	PANNELLO CHIUSURA TOP	PANEL TOP	ELX
11	*	85089DS00	PANNELLO CHIUSURA TOP	PANEL TOP	ELX
11	*	85089DT00	PANNELLO CHIUSURA TOP	PANEL TOP	ELX
11	*	85089DU00	PANNELLO CHIUSURA TOP	PANEL TOP	ZAN, OEM
11	*	85089DV00	PANNELLO CHIUSURA TOP	PANEL TOP	ZAN, OEM
11	*	85089DW00	PANNELLO CHIUSURA TOP	PANEL TOP	ZAN, OEM
12	*	529881605	FONDO CUCINA GAS 400mm	BOTTOM PANEL 400mm	
12	0C0234	529881705	FONDO CUCINA GAS 800mm	BOTTOM PANEL 800mm	
12	*	529881805	FONDO CUCINA GAS 1200mm	BOTTOM PANEL 1200mm	
13	026806	315252601	PIEDINO CON VITE	SCREW FOOT, TOP APPLIANCE	
14	0C0137	516860700	PIASTRINA X GIUNZIONE	JOINTING REAR PLATE	
16	0C0156	527850500	PIASTRA FISSAGGIO FIANCHI	SIDE PANELS JOINTING PLATE	
	*				
	0C1289	147018088	ADESIVO STRUTTURALE	STRUCTURAL ADHESIVE TAPE	
			PAGINA 3	PAGE 3	
51	0C0202	831800500	TERMOCOPPIA	THERMOCOUPLE	

CUCINE TOP GAS E900XP
GAS COOKING TOP E900XP

Pos	Spare Part Code	Factory Code	Descrizione	Description	Ref./Notes
52	0C0121	214162000	RACCORDO FISS. TERMOCOPPIA	CONNECTION, FIX THERMOC.	
53	053665	515827401	BICONO	DOUBLE CONE	
54	052125	214164400	RACCORDO	NUT	
55	0C3647	544820700	CONDUTTURA ANT.PILOTA	FRONTAL PILOT PIPE	
56	0C3648	544821100	CONDUTTURA POST.PILOTA	REAR PILOT PIPE	
57	0C0128	510819401	SPARTIFIAMMA DIAM.100	FLAME SPREADER DIAM.100	
58	0C0126	510819203	BRUCIATORE DIAM.100	BURNER DIAM.100	
59	0C0133	510820602	VENTURI X BRUC. DIAM.100	VENTURI DIAM.100	
60	0C0129	510819501	SPARTIFIAMMA DIAM.60	FLAME SPREADER DIAM.60	
61	0C0127	510819303	BRUCIATORE DIAM.60	BURNER DIAM.60	
62	0C0125	510819103	VENTURI X BRUC. DIAM.60	VENTURI DIAM.60	
63	0C0206	835857401	CONDUTTURA ANT.FUOCHI	FRONTAL BURNER PIPE	
64	0C0207	835857501	CONDUTTURA POST.FUOCHI	REAR BURNER PIPE	
65	0C0205	835857201	RUBINETTO GAS CON BRIGLIA	GAS TAP WITH BRIDLE	
66	0C0124	510819003	SUPPORTO VENTURI	HOLDER FOR VENTURI	
67	0C0236	853855903	RIBALTA 400mm	MANIFOLD 400mm	
67	0C0237	853856003	RIBALTA 800mm	MANIFOLD 800mm	
67	0C0238	853856103	RIBALTA 1200 MM	MANIFOLD 1200mm	
69	0C0140	516863902	FILTRO GAS	GAS FILTER	
70	051717	210360300	TAPPO PER RIBALTA	MANIFOLD STOPPER	
71	052127	215199700	BICONO	DOUBLE CONE	
72	0C0188	543829700	GUARNIZIONE OR	O-RING GASKET	
73	0C3644	806854300	PILOTA	PILOT	
74	0C3646	516887500	RACCORDO	NUT	
75	0C3643	510823900	SUPPORTO CURVO PER PILOTA	CURVED JET HOLDER	
76	0C3645	516888200	BICONO PER PILOTA D.4	DOUBLE CONE D.4 FOR PILOT	



Electrolux Professional SPA
Viale Treviso 15
33170 Pordenone
www.electrolux-professional.com

NordCap GmbH & Co. KG
Thalendorststraße 15
28307 Bremen
Hauptsitz (Service, Finanzen & Personal, Lager, IT, Marketing)

Telefon: +49 421 48557-0
Telefax: +49 421 488650
E-Mail: bremen@nordcap.de

Die NordCap Verkaufsniederlassungen in Deutschland:

Nord: Hamburg • Ost: Berlin • Süd: Ingelheim • West: Erkrath

by **NordCap**[®]

ZANUSSI
PROFESSIONAL