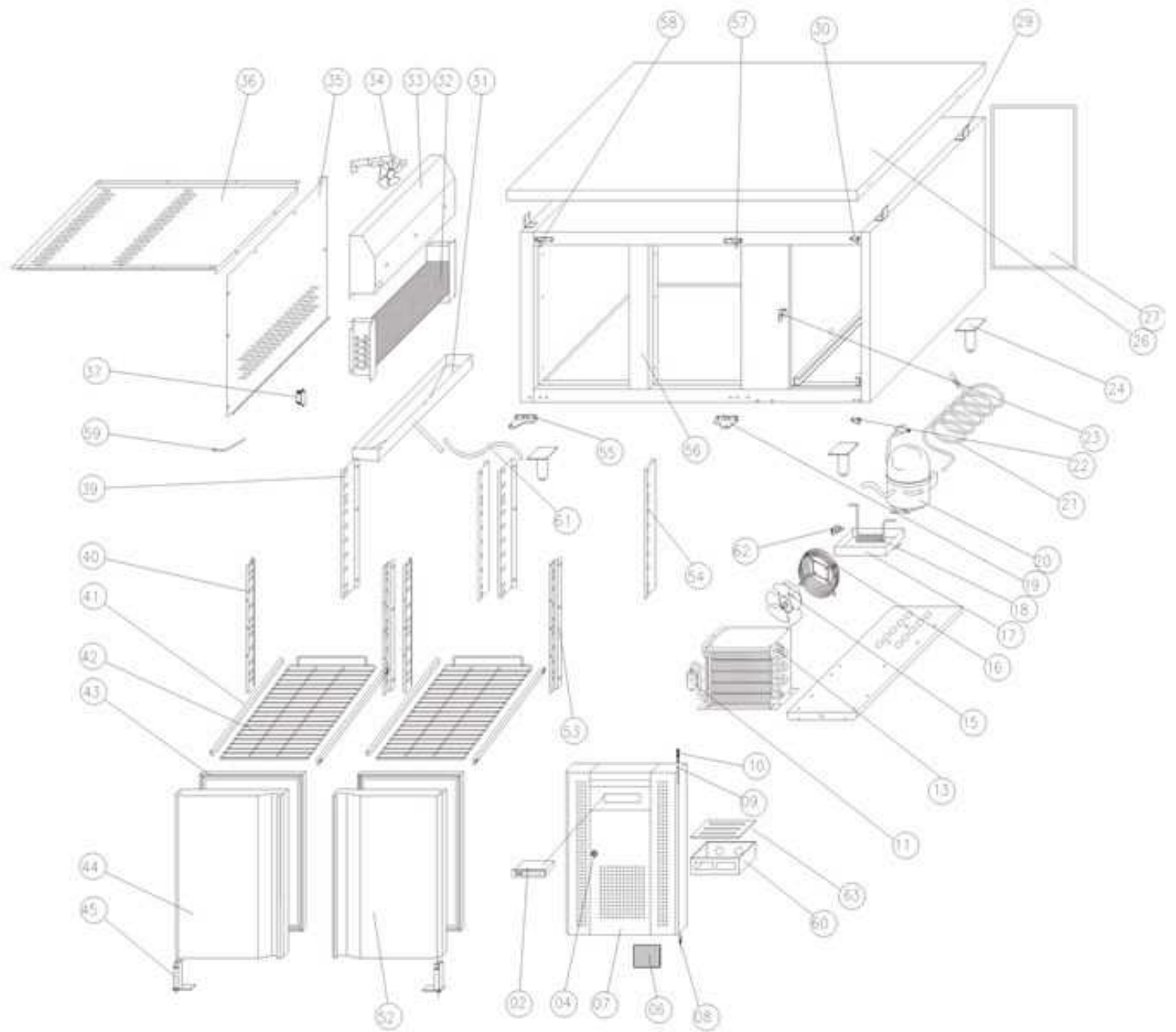
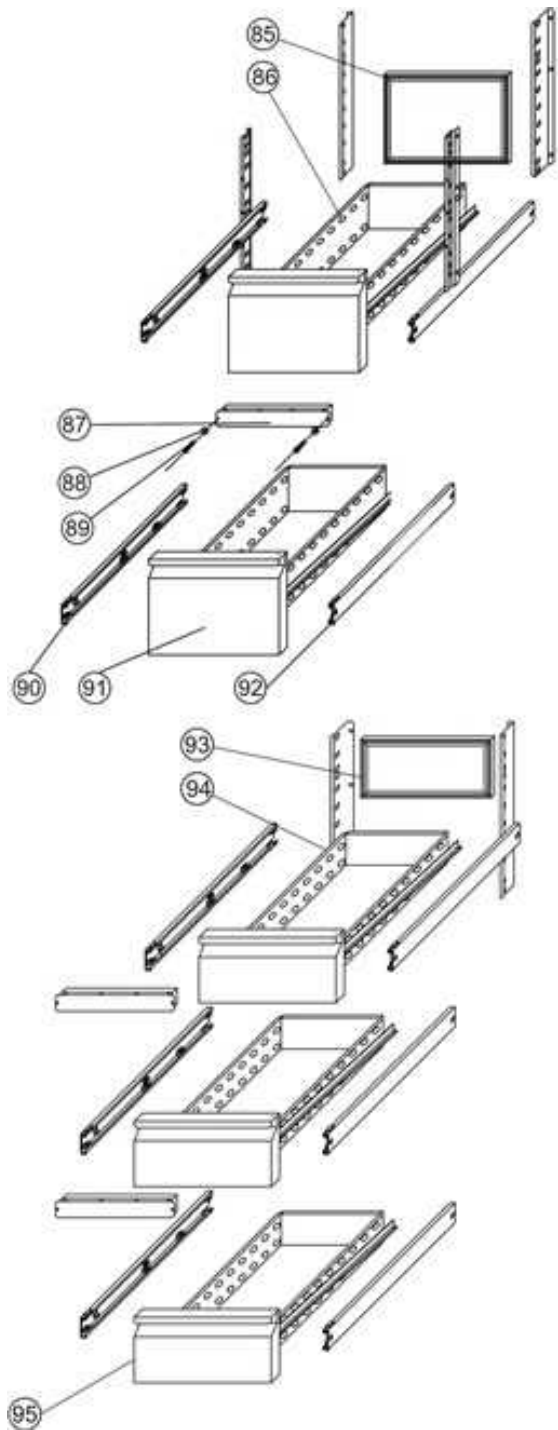


Ersatzteilliste-Explosionszeichnung

COOL-LINE-Kühltisch KTM 2 - 2T

[Art. 435106100]





Date: 26-05-2020

POS.	REF.NO.	ITEM	Unit
00002	7110000411	THERMOSTAT XW20LRH	STK
00004	7130000816	LOCK WITH KEYS	STK
00006	7150005050	FILTER 175X228	STK
00007	7110000412	FRONT PANEL 2020	STK
00008	7200000705	DOWN HINGE AXIS	STK
00009	7130000817	BUSHING	STK
00010	7130000806	NUT FOR UPPER HINGE	STK
00011	7110006160	FILTER DRIER 20 G	STK
00013	7130000305	CONDENSER FROM 2016	STK
00015	7210002200	CONDENSOR FAN BD01-01/170	STK
00016	7200001010	BASKET GUARD GRILLS	STK
00017	7200000852	WATER BOX	STK
00018	7130001901	EVAPORATE PIPE	STK
00019	7400090012	DOWN HINGE RIGHT	STK
00020	7500005050	COMPRESSOR HPKD190A R600	STK
00021	7110006161	SUCTION PIPE	STK
00022	7110006162	BOTTOM HINGE FOR FRONT PANEL	STK
00023	7130000702	LOCK HOOK	STK
00024	7110000902	LEG 115-170 MM (4 PCS)	STK
00026	7130000799	TOP -SP. BACK	STK
00026	7110006163	TOP WITH SPLASH BACK 2018	STK
00027	7130000703	VENTILATION GRILL BACK	STK
00029	7130000803	BRACKET FOR TOPPLATE	STK
00030	7110006164	TOP HINGE FRONT PANEL	STK
00031	7130000209	EVAPORATOR WATER PAN	STK
00032	7130000201	EVAPORATOR 440x94x269 MM	STK
00033	7110006165	EVAPORATOR FAN SUPPORT	STK
00034	7110000166	EVAPORATOR FAN 2018	STK
00035	7110006167	EVAPORATOR COVER	STK
00036	7110006168	INTERNAL AIR CONDUCTOR	STK
00037	7110000413	SENSOR CLIP	STK
00039	7110005018	BACK RAIL LEFT	STK
00040	7110005021	FRONT RAIL LEFT	STK
00041	7110005601	GUIDES (SET) 550X20X20	STK
00042	7130001000	SHELF 335 X 530	STK
00043	7130000805	GASKET 388 x 598 MM	STK
00044	7110000414	DOOR LEFT 2020	STK
00045	7400090013	SPRING HINGE	STK
00052	7110000415	DOOR RIGHT 2020	STK
00053	7110005022	FRONT RAIL RIGHT	STK
00054	7110005019	BACK RAIL RIGHT	STK

00055	7130000700	DOWN HINGE LEFT	STK
00056	7110006171	DOOR POST	STK
00057	7130000790	TOP HINGE RIGHT 2016	STK
00058	7130000791	TOP HINGE LEFT 2016	STK
00059	7110000397	PROBE NTC DIXELL/CAREL 10 Kohm	STK
00060	7110000416	THERMOSTAT BOX	STK
00061	7110000418	DRAIN PIPE	STK
00062	7110000419	DRAIN PIPE CLIP	STK
00063	7110000417	THERMOSTAT BOX COVER	STK
00085	7110005001	GASKET 2 DRAWER, CK	STK
00086	7110005015	DRAWER BODY 220 MM	STK
00087	7110005005	BRIDGE 70 mm	STK
00088	7110005009	WASHER M4 S/S	STK
00089	7110005008	SCREW M4 S/S	STK
00090	7110005007	GUIDE LEFT	STK
00091	7110005003	FRONT 2 DRAWERS, CK	STK
00092	7110005006	GUIDE RIGHT	STK
00093	7110005103	GASKET 3 DRAWER, CK	STK
00094	7110005030	DRAWER BODY 145 MM	STK
00095	7110005102	FRONT 3 DRAWER, CK	STK