

## Ersatzteilliste-Explosionszeichnung

Umluft-Gewerbetiefkühlschrank TKU 1402-Z COMFORT



**Thermoregulator**  
2M TN BT

# CABINETS MASS GAB

## Remote

PNC	MODEL	REF	PAGE	DESCRIPTION	NOTE/ BRAND
110312	ZRX142FRR	f	3,4,5,8,9	2-DOOR REFRIG 1430L -2/+10°C, DIGIT, REM	Zanussi
110338	ZRX142FRRG	g	3,4,5,8,9	2-DOOR REFRIG 1430L 0/+6°C,DIGIT, REM-UK	Zanussi
110350	ZR4142FRRG	h	3,4,5,8,9	2-DR REFRIG 1430L 0/+6°C,DIG,S/S,REM-UK	Zanussi
110381	ZRX142FFR	i	3,6,7,8,9	2-DR FREEZER 1430L -22/-15°C DIG-REMOTE	Zanussi
<b>110931</b>	<b>ZRX142FRR</b>	<b>f</b>	<b>3,4,5,8,9</b>	<b>2-DOOR REFRIGERATOR 1430L -2+10°C, DIGITAL, A304 - REMOTE</b>	<b>Zanussi</b>
<b>110945</b>	<b>ZRX142FFR</b>	<b>i</b>	<b>3,6,7,8,9</b>	<b>2-DOOR FREEZER 1430L -22-15°C, DIGITAL, A304 - REMOTE</b>	<b>Zanussi</b>
190226	REX142FRR	e	3,4,5,8,9	2-DOOR REFRIG 1430L -2/+10°C, DIGIT, REM	To brand
<b>725274</b>	<b>REX142FRR</b>	<b>a</b>	<b>3,4,5,8,9</b>	<b>2-DOOR REFRIGERATOR 1430L -2+10°C, DIGITAL, A304, REMOTE</b>	<b>EPR</b>
<b>725327</b>	<b>REX142FFR</b>	<b>d</b>	<b>3,6,7,8,9</b>	<b>2-DOOR FREEZER 1430L -22-15°C, DIGITAL, A304-REMOTE</b>	<b>EPR</b>
727285	REX142FRR	a	3,4,5,8,9	2-DOOR REFRIG 1430L -2/+10°C, DIGIT, REM	EPR
727365	REX142FRRG	b	3,4,5,8,9	2-DOOR REFRIG 1430L 0/+6°C,DIGIT, REM-UK	EPR
727377	RE4142FRRG	c	3,4,5,8,9	2-DR REFRIG 1430L 0/+6°C,DIG,S/S,REM-UK	EPR
727475	REX142FFR	d	3,6,7,8,9	2-DR FREEZER 1430L -22/-15°C DIG-REMOTE	EPR
729053	ARX142FRR	l	3,4,5,8,9	2-DOOR REFRIG 1430L -2/+10°C, DIGIT, REM	Alpen
729079	ARX142FRRG	m	3,4,5,8,9	2-DOOR REFRIG 1430L 0/+6°C,DIGIT, REM-UK	Alpen
729091	AR4142FRRG	n	3,4,5,8,9	2-DR REFRIG 1430L 0/+6°C,DIG,S/S,REM-UK	Alpen
729122	ARX142FFR	o	3,6,7,8,9	2-DR FREEZER 1430L -22/-15°C DIG-REMOTE	Alpen
729301	NRX142FRRG	p	3,4,5,8,9	2-DOOR REFRIG 1430L 0/+6°C,DIGIT, REM-UK	To brand
729311	NR4142FRRG	q	3,4,5,8,9	2-DR REFRIG 1430L 0/+6°C,DIG,S/S,REM-UK	To brand
<b>729640</b>	<b>ARX142FRR</b>	<b>l</b>	<b>3,4,5,8,9</b>	<b>2-DOOR REFRIGERATOR 1430L -2+10°C, DIGITAL, A304 - REMOTE</b>	<b>Alpen</b>
<b>729653</b>	<b>ARX142FFR</b>	<b>o</b>	<b>3,6,7,8,9</b>	<b>2-DOOR FREEZER 1430L -22-15°C, DIGITAL, A304 - REMOTE</b>	<b>Alpen</b>

**Note:** per la corretta identificazione dei componenti, attenersi esclusivamente alle pagine indicate e alla lettera di riferimento.

**Note:** for the correct identification of the components, follow the indicated pages and the reference letter.

	Index	Indice
Rev.8	Pag. 3	Cabinet and door
	4,5	Cooling unit assembly TN
	6,7	Cooling unit assembly BT
	8,9	Control panel
	10-13	Spare parts list
		Armadio e porta
		Gruppo refrigerante TN
		Gruppo refrigerante BT
		Pannello comandi
		Lista ricambi

Thermoregulator  
2M TN BT

# CABINETS MASS GAB

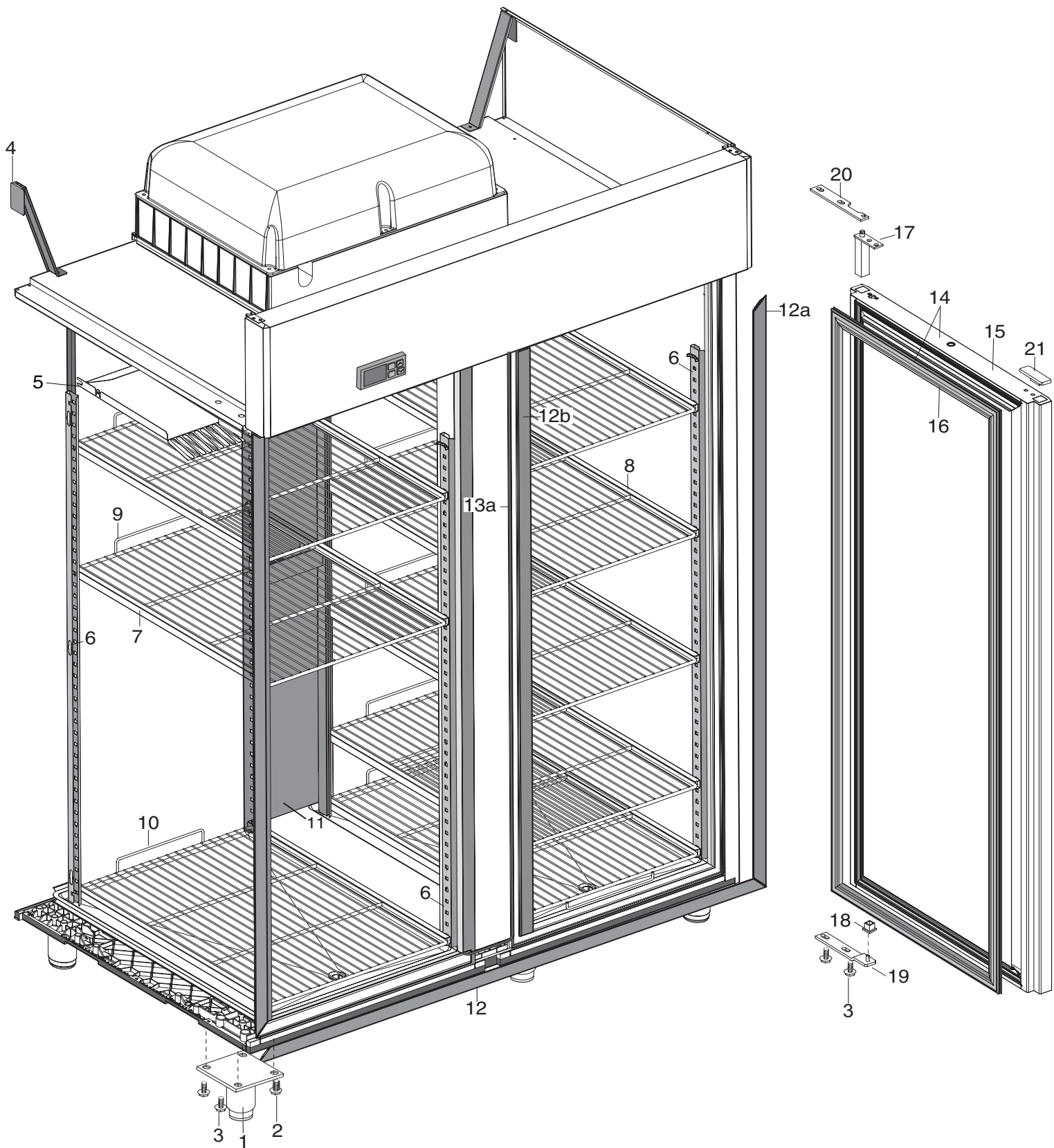
## Remote

PNC	MODEL	REF	PAGE	DESCRIPTION	NOTE/ BRAND
190AUB	REX142FFR	j	3,6,7,8,9	2-DR FREEZER 1430L -22/-15°C DIG-REMOTE	EPR
190CB7	REX142FRR	k	3,4,5,8,9	2-DOOR REFRIG 1430L -2/+10°C, DIGIT, REM	EPR
190CSN	REX142FRR	r	3,4,5,8,9	2-DOOR REFRIG 1430L -2/+10°C, DIGIT, REM	EPR
190D95	REX142FFR	s	3,6,7,8,9	2-DR FREEZER 1430L -22/-15°C DIG-REMOTE	EPR
190EAT	REX142FRR	t	3,4,5,8,9	2-DOOR REFRIG 1430L -2/+10°C, DIGIT, REM	EPR
190ESN	REX142FRR	u	3,4,5,8,9	2-DOOR REFRIGERATOR 1430L -2/+10°C, DIGIT REM	EPR

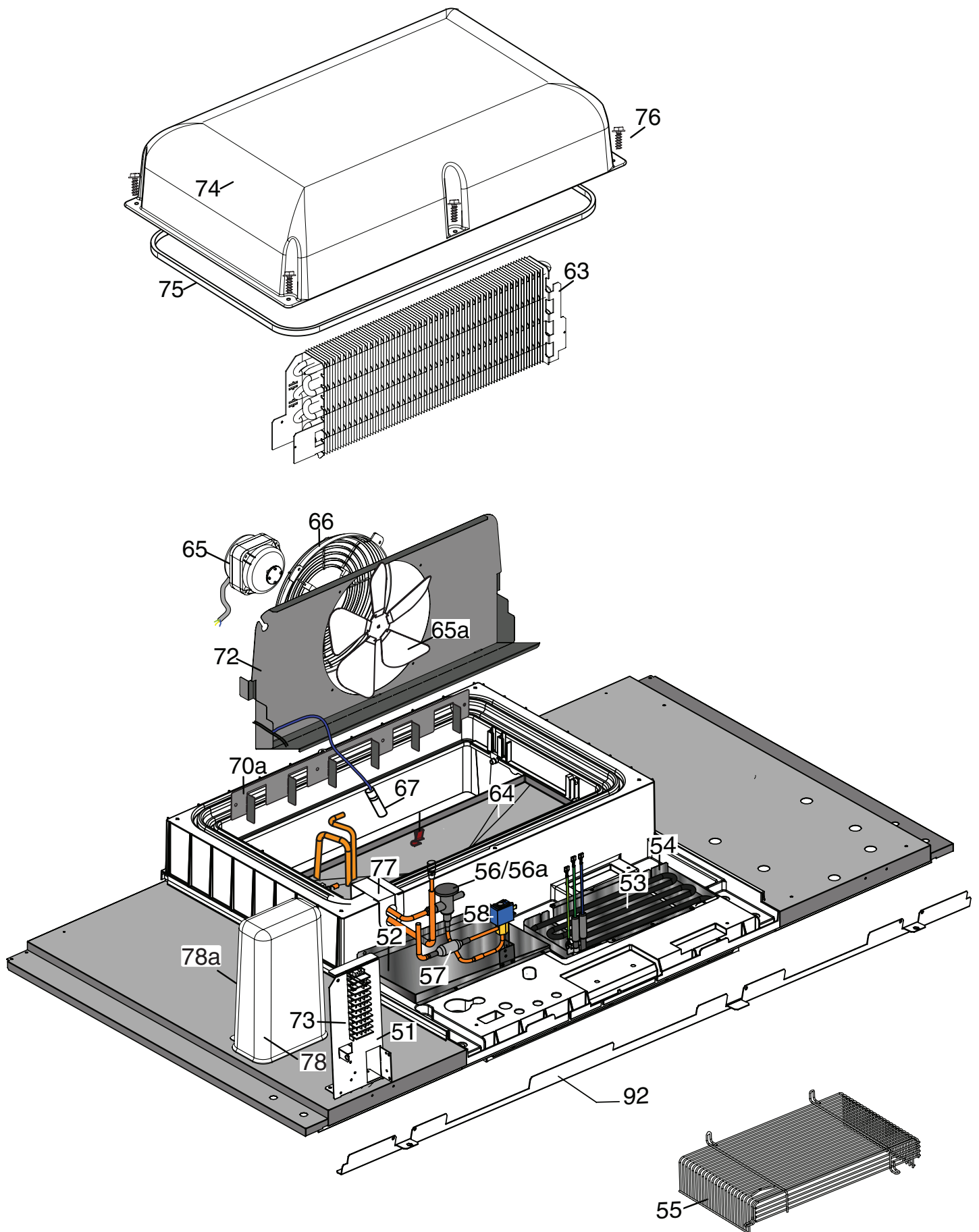
**Note:** per la corretta identificazione dei componenti, attenersi esclusivamente alle pagine indicate e alla lettera di riferimento.

**Note:** for the correct identification of the components, follow the indicated pages and the reference letter.

	Index	Indice
Pag.	3	Cabinet and door
	4,5	Cooling unit assembly TN
	6,7	Cooling unit assembly BT
	8,9	Control panel
	10-13	Spare parts list
Rev.8		

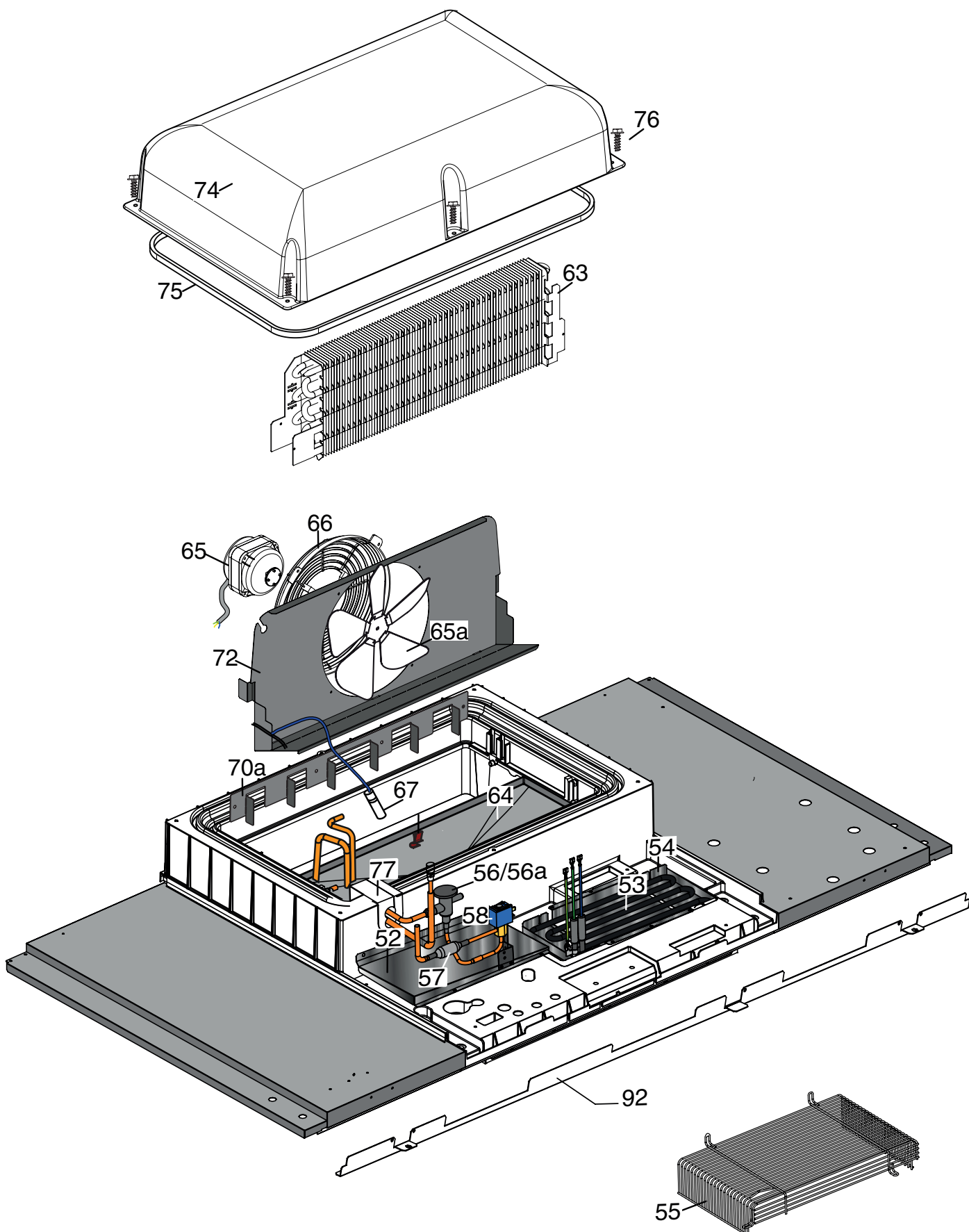


# REMOTE COOLING UNIT ASSEMBLY TN UP TO 37/2021

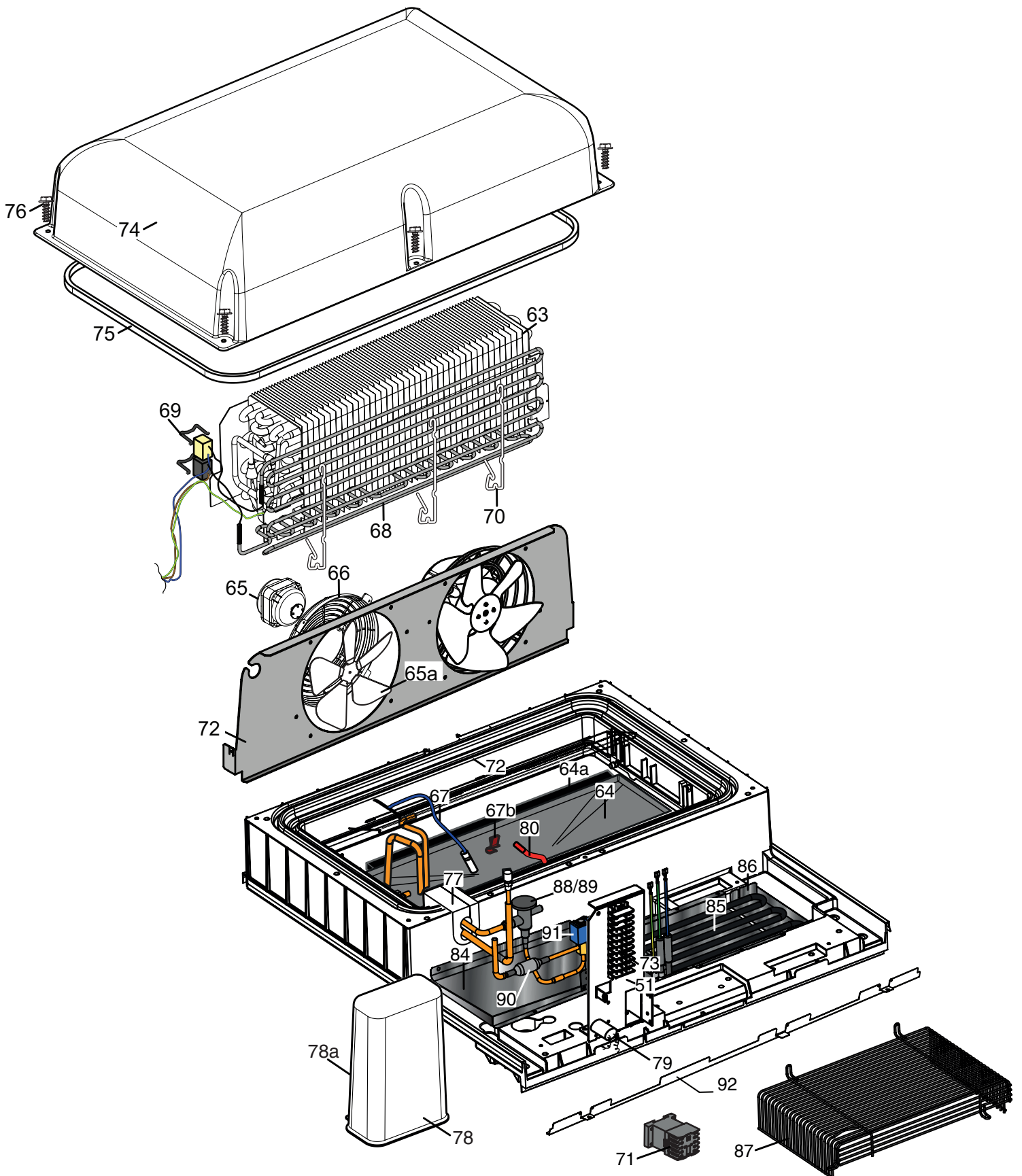




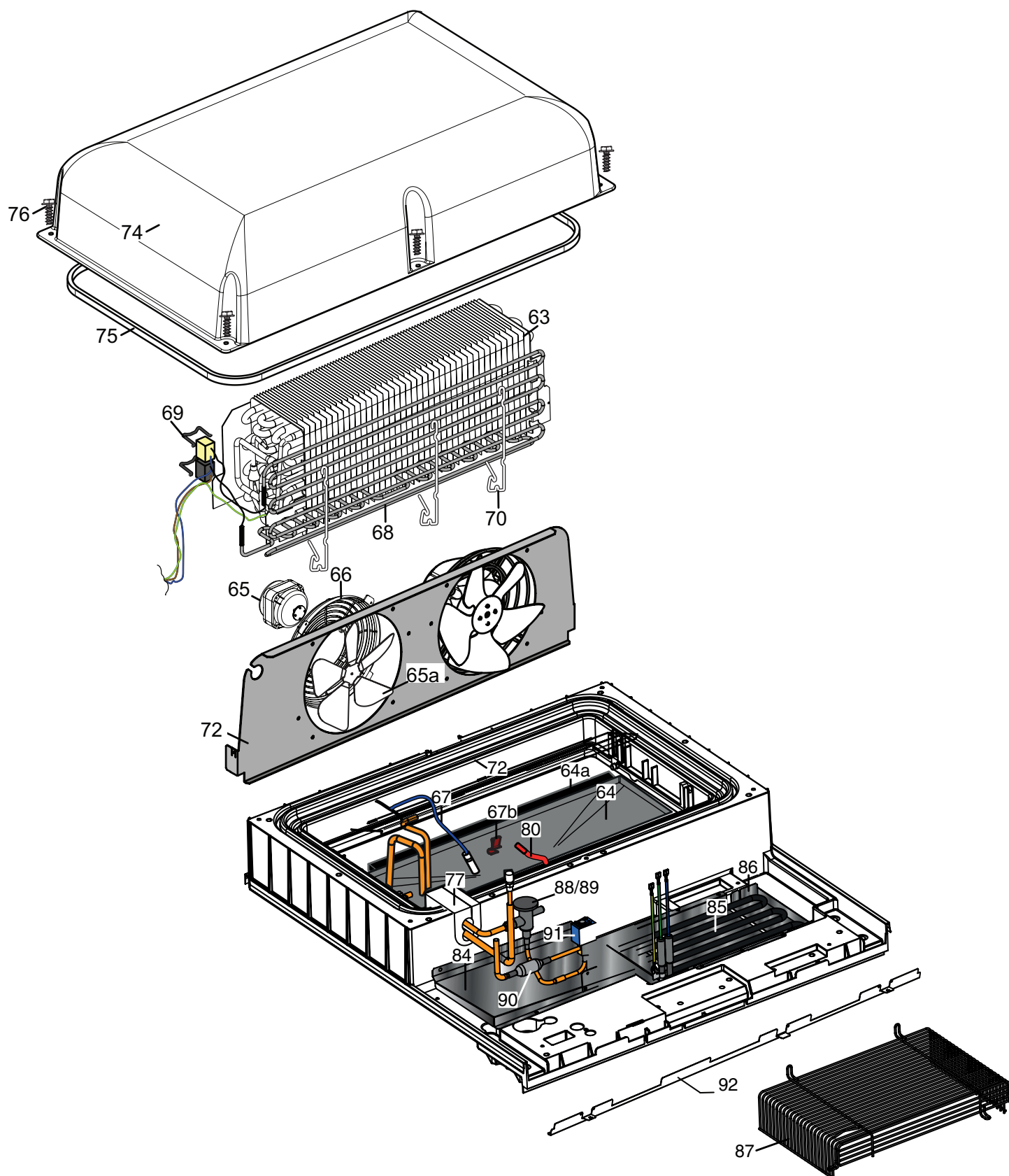
# REMOTE COOLING UNIT ASSEMBLY TN FROM WK 38/2021



# REMOTE COOLING UNIT ASSEMBLY BT UP TO 37/2021

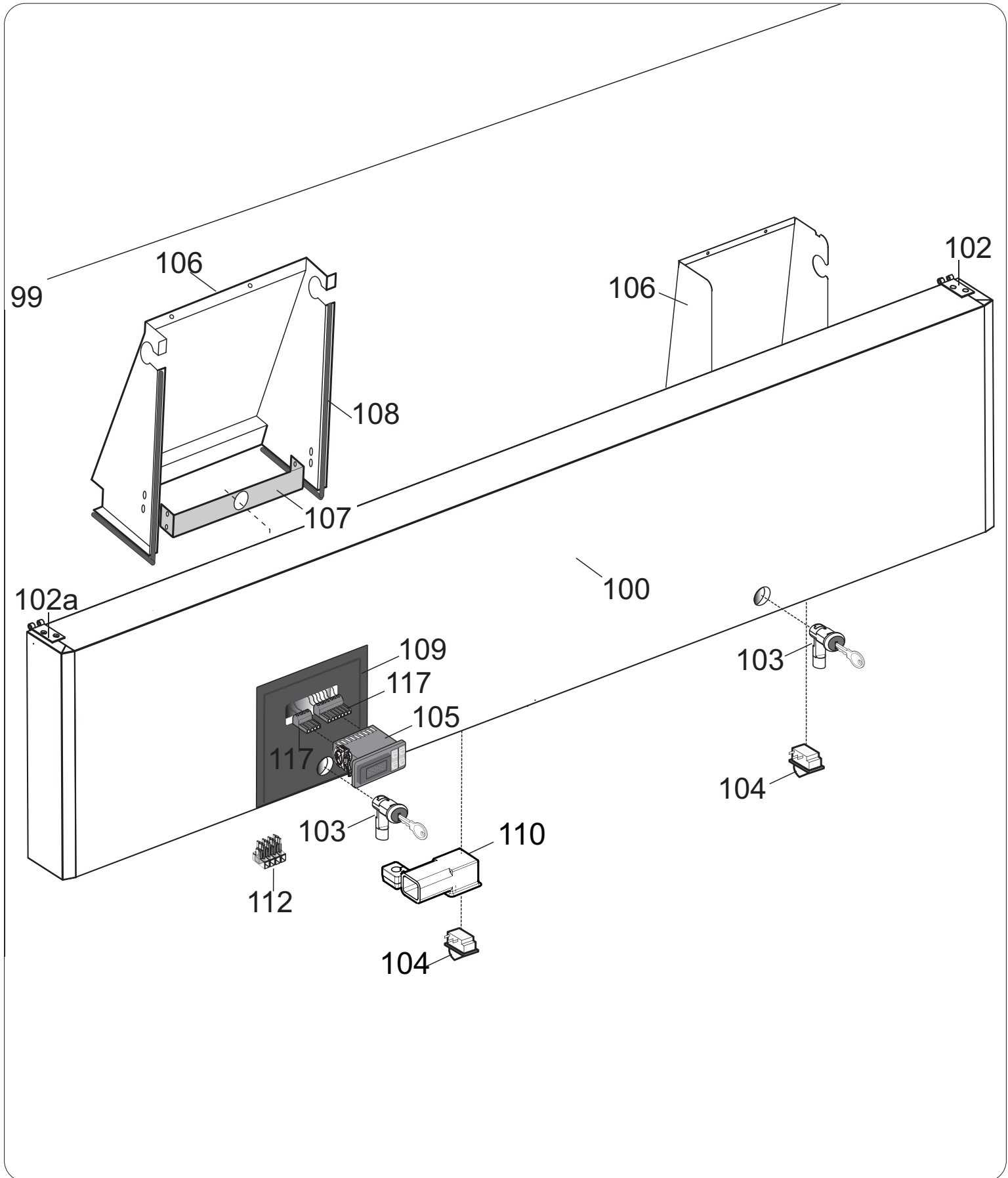


# REMOTE COOLING UNIT ASSEMBLY BT FROM 38/2021

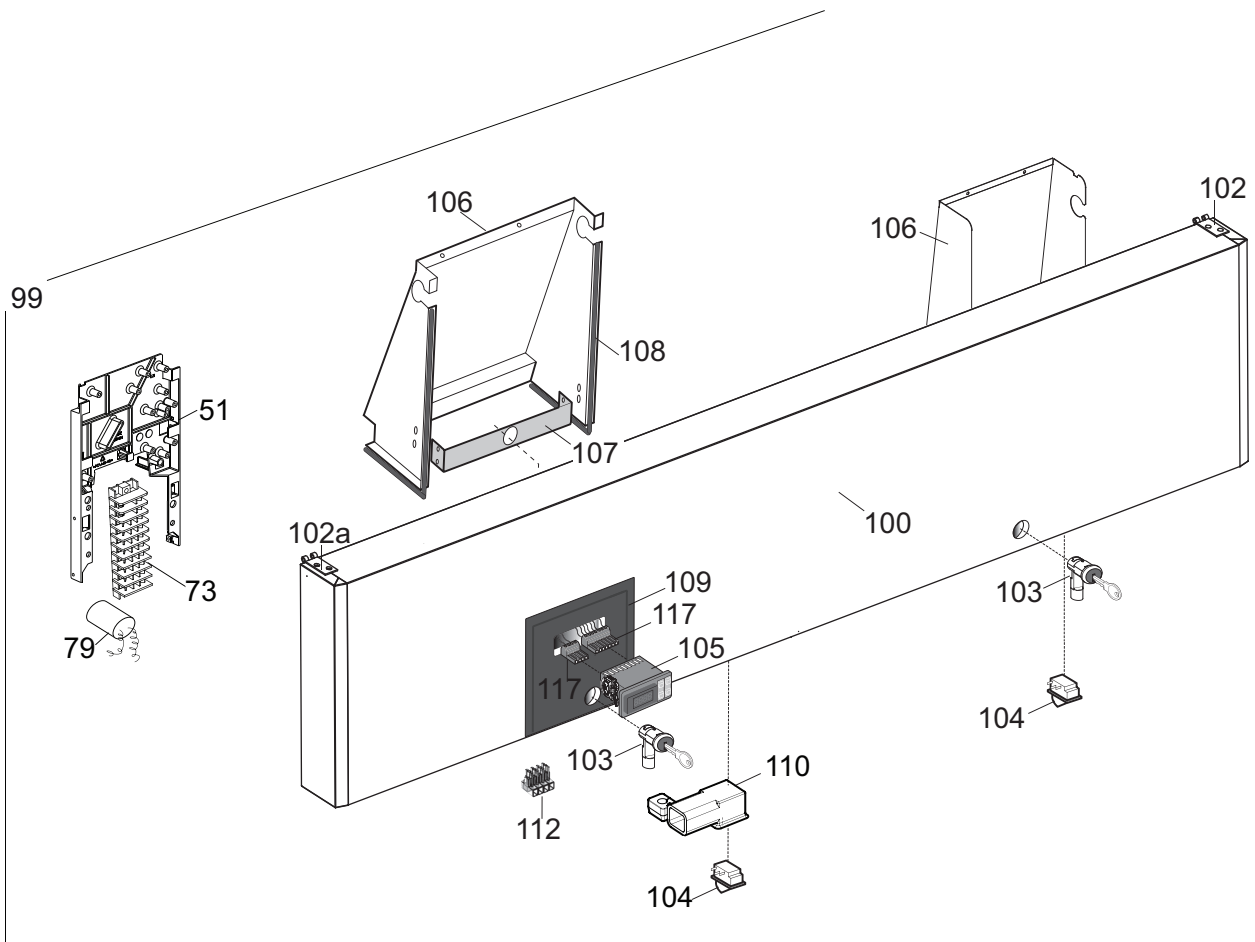




# CONTROL PANEL UP TO 37/2021



# CONTROL PANEL FROM 38/2021



Pos	Spare parts code	Factory code	Descrizione	Description	Ref - Note
1	093243	541R05001	Piedino	Foot	
1	094098	518R03900	Piedino marine	Marine foot	k
2	093245	217555204	Vite per plastica per piedino	Screw ( use by fix foot)	
3	093246	518708601	Vite M8x20 per fiss. staffa sup/inf	Screw M8X20 ( use by fix bracket)	
4	093394	502R17500	Staffa supporto fianchi	Side support (upper)	
5		875R37501	Assieme carter interno	Internal protection assembly	
6	093249	501R38201	Cremagliera anteriore/posteriore	Front Rack	
7	093250	501R47900	Guida Sx	Left support	
7	095061	501R63900	Guida Sx	Left support	Marine - k
8	093251	501R48100	Guida Dx	Right support	
8	095062	501R64000	Guida Dx	Right support	Marine - k
9	093252	514R10600	Griglia 2/1 rilsan	Grid 2/1rilsan	a,b,c,e,f,g,h,l, k,m,n,p,q,r,t,u
9	093397	A600_01	Griglia 2/1 rilsan	Grid 2/1rilsan	d,i,j,o,s
10	093253	514R12200	Griglia di fondo rilsan	Bottom grid rilsan	
12	093254	832R09202	Cornice orizzontale	Orizzontal frame	
12a	093255	832R09101	Cornice verticale	Vertical frame	
12b	093399	832R09401	Cornice verticale montante	Vertical frame central support	
13a	093419	617R07000	Cavo riscaldante cornice TN	Heating cable frame TN	a,b,c,e,f,g,h,l, k,m,n,p,q,r,t,u
13a	093401	617R06901	Cavo riscaldante cornice TB	Heating cable frame TB	d,i,j,o,s
	093400	617R06801	Cavo riscaldante perimetro TB	Heating cable along the perimeter TB	d,i,j,o,s
	093419	617R07001	Cavo riscaldante cornice	Heating cable frame	a,e,f,k,l,r,t,u
14	093289	835R27007	Porta con guarnizione	Gasket and door	a,b,e,f,g,l,k, m,p,r,t,u
14	093290	835R27107	Porta con guarnizione	Gasket and door	c,h,n,q
15	096028	835R27506	Porta aisi 430	Door	c,h,n
15	093581	835R27400	Porta TN	Door aisi 430 TN	a,e,f,l,k,r,t,u
15	093311	835R24208	Porta BT	Door aisi 430 BT	d,i,j,o,s
16	094152	548R08000	Guarnizione porta cieca	Gasket full door	
17	082219	835704001	Cerniera porta	Hinge door	
18	081654	544700601	Boccola per porta	Door bush	
19	093341	833R21600	Staffa inferiore porta	Lower stirrup door	
20	082257	505723802	Staffa superiore porta	Upper stirrup door	
21	093271	541R05301	Tappo per cerniere	Hole hinge plug	
			<b>Riferimento pagine 3 e 4</b>	<b>Reference to pages 3 and 4</b>	
	097441	880R77110	mod. gruppo tn 2M Mass remoto		a,e,f,l,k,t,u
		880R77201	mod. gruppo bt 2M Mass remoto UK		b,g,m,p
		880R77301	mod. gruppo tn 2M Gab UK remoto		c,h,n,q
		880R86209	mod. gruppo. bt 2M Mass/gab rem		d,i,o
		882R98900	mod. gruppo. bt 2M Mass/gab rem R449A		j
		883R35900	mod. gruppo tn 2M Mass remoto (R407C/R448A/R449A)		
		883R56303	mod. gruppo tn 2M Mass remoto CO2		r
		883R75900	mod. gruppo. bt 2M Mass/gab rem senza valvola		s
		880R80201	mod. gruppo tn 2M Mass remoto bryne system		t
		<b>883R92700</b>	<b>mod. gruppo tn 2M Mass remoto R410</b>		<b>u</b>

Pos	Spare parts code	Factory code	Descrizione	Description	Ref - Note
51	*	502R24300	Electrical wiring support	Supporto impianto elettrico	Up to 2021/37
51	097284	546R43401	Electrical wiring support	Supporto impianto elettrico	From 2021/38
52	093607	501R63701	Sgocciolatoio	Drainer	
53	093605	617R07902	Resistenza evaporazione 100W	Water evaporation heating element	Up to 2021/37
53	097289	617R26100	Resistenza evaporazione 100W	Water evaporation heating element	From 2021/38
54	093606	501R63601	Bacinella evaporazione	Water condensation basin	
55	093604	514R13101	Griglia protezione resistenza	Protection grid	
56	087333	646740901	Valvola termostatica (404A)	Thermostatic Valve (404A)	a,b,c,f,g,h,l, m,n,p,q,r,u
56	088501	646751900	Valvola termost. R404A-68U2076	Thermostatic Valve R404A-68U2076	e
56	087334	646741000	Valvola termost. R404A - 68U2078	Thermostatic Valve R404A- 68U2078	d,i,o
56	095541	646R13900	Valvola termost. R407C/449A 68U1903	Thermostatic valve R407C/449A 68U1903	j
56	095674	646R16000	Valvola termostatica (R407C/R448A/R449A)	Thermostatic Valve (R407C/R448A/R449A)	k
<b>56</b>	<b>OTTV72</b>	<b>646R12900</b>	<b>Valvola DANFOSS 068U1958 R410A</b>	<b>Thermostatic Valve DANFOSS 068U1958 R410A</b>	<b>u</b>
56a	089614	565717600	Isolante per valvola	Valve insulation	
57	090229	525719000	Filtro meccanico a rete	Filter	
58	093435	646R10501	Valvola solenoide	Solenoid valve	Up to 4151...
58	094435	646R10502	Valvola solenoide	Solenoid valve	From 4161...
63	093335	830R04001	Evaporatore 3R 8T	Evaporator 3R 8T	a,b,c,f,g,h,l,k, m,n,p,q,u
63	094576	830R10600	Evaporatore 3R 8T	Evaporator 3R 8T	a,b,c,f,g,h,l,k, m,n,p,q,u
63	093430	830R04102	Evaporatore 4R 8T	Evaporator 4R 8T	d,i,j,o,s
63		830R02D00	Evaporatore 3R 8T	Evaporator 3R 8T	r
63	0TTX87	830R07500	Evaporatore 3R 8T bryne system	Evaporator 3R 8T bryne system	t
64	093469	546R19201	Vaschetta evaporatore	Evaporator tray	a,b,c,e,f,g,h,l, k,m,n,p,q,r,u
	093409	548R07200	Isolante per bacinella evap. BT	Insulation for evaporator tray BT	d,i,j,o,s
65	096995	682R14200	Motore ELCO VNT 11-20	Fan motor ELCO VNT 11-20	a,e,f,k,l,u
65	097000	682R02C00	Motore FIME C12	Motor FIME C12	d,i,j,o,s
*	093326	502R52400	Staffa per motore FIME	Bracket for Motor FIME	d,i,j,o,s
65a	089697	511708800	Ventola	Fan	a,b,c,e,f,g,h,l, k,m,n,p,q,r,t,u
66	089755	546709500	Griglia evap.	Fan protection	
67	092173	646R06700	Sonda cella	Cell probe	
68	093427	617R06002	Resistenza con termost. 750w	Heating element with thermostat	
68	093428	617R06401	Resistenza con termost. 500w	Heating element with thermostat	d,i,j,o,s
69	093487	514R11601	Molla per fissaggio termostati	Thermostat spring	
70	093508	514R11102	Molla per fissaggio resistenza 3R	Heating element spring 3R	
70a	093509	501R40700	Deviatore aria	Carter insulation	a,b,c,e,f,g,h,l, k,m,n,p,q,r,t,u
70a	093489		Deviatore aria	Carter insulation	d,i,j,o,s
72	093510	501R44101	Convogliatore evaporatore	Evaporator conveyor	a,b,f,g,l,k,m,p, r,t,u
72	094429	501R44103	Convogliatore evap. PALA 230	Evaporator conveyor PALA 230	a,e,f,l,k,r,t,u
72	093573	501R44903	Convogliatore evaporatore 2M	Evaporator conveyor 2M	d,i,j,o,s
*	093508	514R11102	Molla fissaggio resistenza evapor. 3R	3R Evaporator fixing spring	a,b,c,e,f,g,h,l, k,m,n,p,q,r,t,u

Pos	Spare parts code	Factory code	Descrizione	Description	Ref - Note
*	093572	514R11000	Molla fissaggio resist.evapor. 4R	4R Evaporator fixing spring	d,i,j,o,s
73	093528	639R09900	Morsettiera	Clamp	Up to 2022/41
<b>73</b>		<b>855R0AA00</b>	<b>Morsettiera</b>	<b>Clamp</b>	<b>From 2022/42</b>
74	093261	835R24101	Assieme Calotta	Evaporator cover	Up to 6181
74	095201	835R47601	Assieme Calotta	Evaporator cover	From 6191
75	093262	14701R003	Neoprene espanso 8x13,3 nero (M4)	Gasket cover ( neoprene 8x13,3)	
76	093245	217555204	Vite senza punta x plastica	Cover screw	
77	093614	546R25800	Tamponcino per tubi	Pipe cover insulation	
78	094425	546R26501	Copertura scatola impianto elettrico	Wiring box cover	Up to 2021/37
78a	093976	546R26701	Scatola impianto elettrico	Wiring box	Up to 2021/37
79	096636	694R00502	Filtro antisturbo	Electrical filter	
80	093415	617R07801	Resistenza scarico condensa	Drain heater	
92	094617	501R49702	Rivestimento anteriore superiore AISI 304	Upper front covering AISI 304	
99	*	880R51210	Cruscotto completo aisi 304	Panel control complete aisi 304	a,b,d,e,f,g,i,j, l,k,m,o,p,r up to 2021/37
<b>99</b>	*	<b>883R79000</b>	<b>Cruscotto completo aisi 304</b>	<b>Panel control complete aisi 304</b>	<b>a,b,d,e,f,g,i,j,l, k,m,o,p,r,s,t,u from 2021/38</b>
99	*	880R52810	Cruscotto completo A 430	Panel control complete A 430	c,h,n,q
100	095827	509R13004	Cruscotto A304	Panel 304 AISI	a,b,d,e,f,g,i,j, l,k,m,o,p,r up to 2021/37
100	*	509R25201	Cruscotto A304	Panel 304 AISI	a,b,d,e,f,g,i,j, l,k,m,o,p,r,s,t,u from 2021/38
100	094436	509R13104	Cruscotto A430	Panel 430 AISI	c,h,n,q up to 2021/37
100	*	509R25301	Cruscotto A430	Panel 430 AISI	c,h,n,q from 2021/38
102	093609	832R10100	Cerniera per cruscotto dx	Hinge for panel dx	
102a	093610	832R10200	Cerniera per cruscotto sx	Hinge for panel sx	
103	093345	833R20900	Serratura	Latch	
104	087485	640712100	Micro porta	Switch	
<b>105</b>	<b>093532</b>	<b>646R10803</b>	<b>Termoregolatore ir33 Gab/mass pc</b>	<b>Thermoregulator Gab /mass</b>	<b>Up to 2022/41 Order KIT 097586 See TB VTX2022_08</b>
<b>105</b>	<b>097579</b>	<b>855R18400</b>	<b>Termoregolatore Carel IJF</b>	<b>Thermoregulator Carel IJF</b>	<b>From 2022/42</b>
<b>106</b>	<b>093975</b>	<b>546R26601</b>	<b>Protezione</b>	<b>Protection</b>	<b>Up to 2022/41</b>
<b>106</b>	<b>097576</b>	<b>504R39300</b>	<b>Protezione</b>	<b>Protection</b>	<b>From 2022/42</b>
107	093354	501R37501	Staffa per protezione	Support fro protection	Up to 2021/37
108	0L0113	140088006	Guarnizione	Gasket	
109	093268	755R03902	Membrana	Membrane	Up to 7381
109	093268	755R03902	Membrana	Membrane	e from 2021/38
109	095022	598R81500	Zanussi sticker	Membrana Zanussi	For Zanussi products up to 2021/37



Pos	Spare parts code	Factory code	Descrizione	Description	Ref - Note
109	097058	598R98601	Zanussi sticker	Membrana Zanussi	For Zanussi products from 2021/38
109	095023	598R81601	Electrolux Professional sticker	Membrana Electrolux Professional	From 7391 For Elux and To brand products up to 2021/37
109	096577	598R98302	Electrolux Professional sticker	Membrana Electrolux Professional	For Elux Prof prod. from 2021/38
109	095024	598R81702	Membrana Alpen	Alpen membrane	For Alpen products
<b>110</b>	<b>092353</b>	<b>546R12100</b>	<b>Protezione micro</b>	<b>Door switch protection</b>	
112	*	639R06800	Connettore dritto 3 vie	Connector 3 ways right	
112	*	639R06900	Connettore dritto 7 vie	Connector 7 ways right	
112	099740		Connettore 90° 7 vie	Connector 7 ways 90°	
112	099741		Connettore 90° 5 vie	Connector 5 ways 90°	
112	088998		Connettore 90° 3 vie	Connector 3 ways 90°	
112	099743		Connettore 90° 3 vie piccolo	Connector 3 ways 90° small	
112	099742		Connettore 90° 2 vie	Connector 2 ways 90°	
112	091682		Connettore 90° 4 vie	Connector 4 ways 90°	
112	091684		Connettore 90° 5 vie	Connector 5 ways 90°	
<b>112</b>	<b>097578</b>	<b>639R04V00</b>	<b>Connettore femmina 3 vie</b>	<b>Connector 3 ways female</b>	<b>From 2022/42</b>
*	093180	639R09600	Convertitore spina UK	UK plug converter	b,c,g,m,p,h, n,q

**Finanzen / Service**  
**28307 Bremen**  
Thalendorststraße 15  
Tel.+49 421 48557-0  
Fax+49 421 488650  
bremen@nordcap.de

**Vertrieb Ost**  
**12681 Berlin**  
Wolfener Straße 32/34, Haus K  
Tel.+49 30 936684-0  
Fax+49 30 936684-44  
berlin@nordcap.de

**Vertrieb West**  
**40699 Erkrath**  
Max-Planck-Straße 30  
Tel.+49 211 540054-0  
Fax+49 211 540054-54  
erkrath@nordcap.de

**Vertrieb Nord**  
**21079 Hamburg**  
Großmoorbogen 5  
Tel.+49 40 766183-0  
Fax+49 40 770799  
hamburg@nordcap.de

**Vertrieb Süd**  
**55218 Ingelheim**  
Hermann-Bopp-Straße 4  
Tel.+49 6132 7101-0  
Fax+49 6132 7101-20  
ingelheim@nordcap.de



[www.nordcap.de](http://www.nordcap.de)