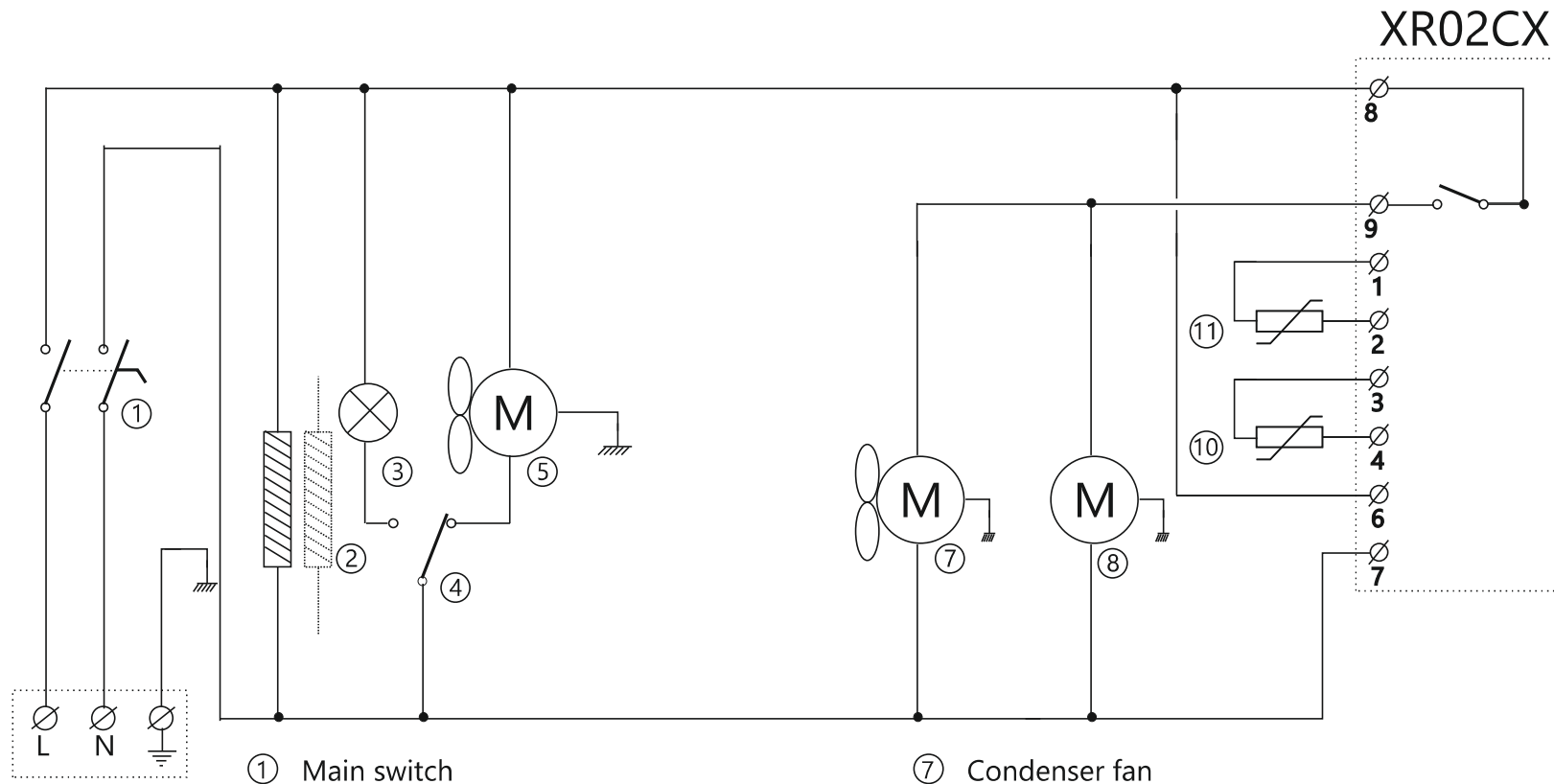


Schaltplan

COOL-LINE-Kühlschrank KU 715

[Art. 43510706]



① Main switch

② Door frame heater (Replacement in cabinet)

③ Internal LED light

④ Door switch

⑤ Evaporator fan

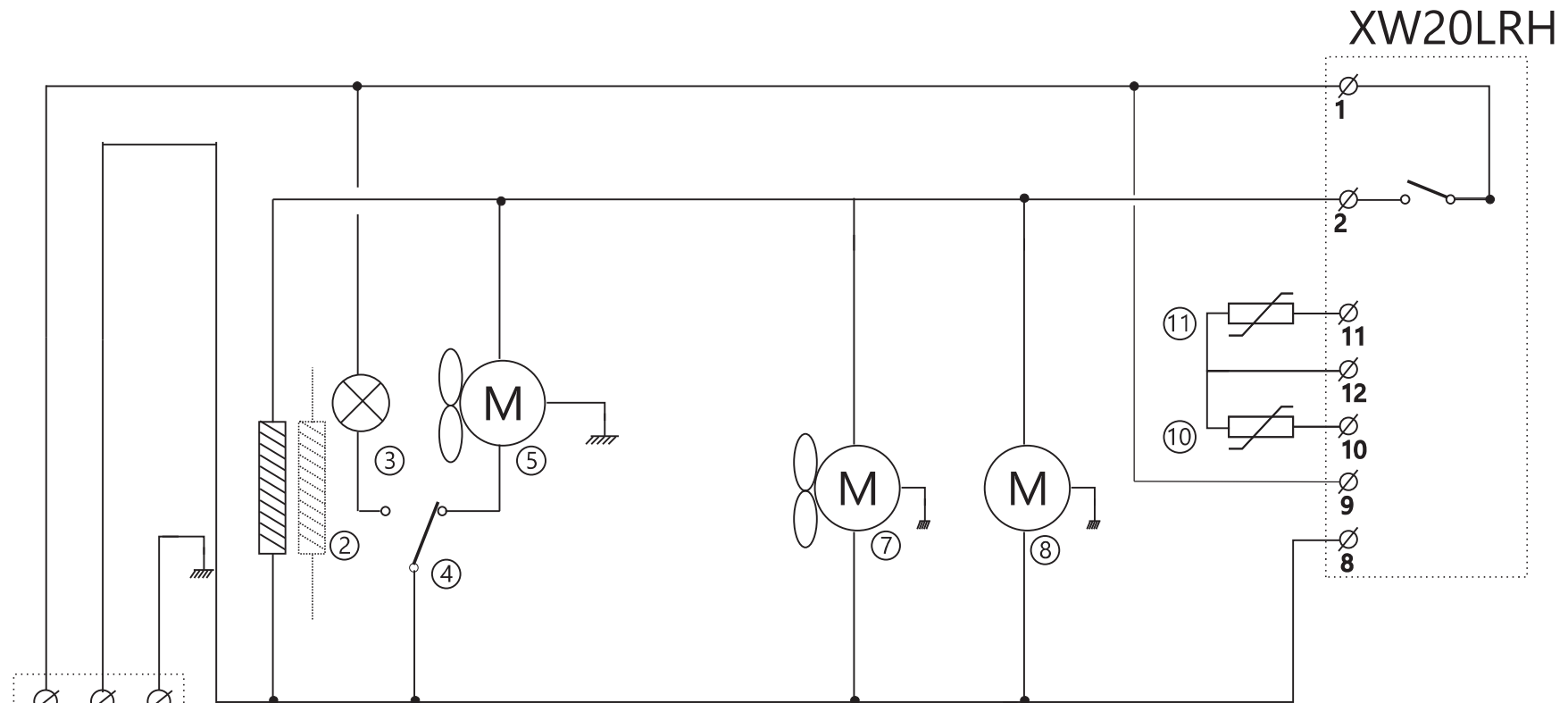
⑦ Condenser fan

⑧ Compressor

⑩ Evaporator probe

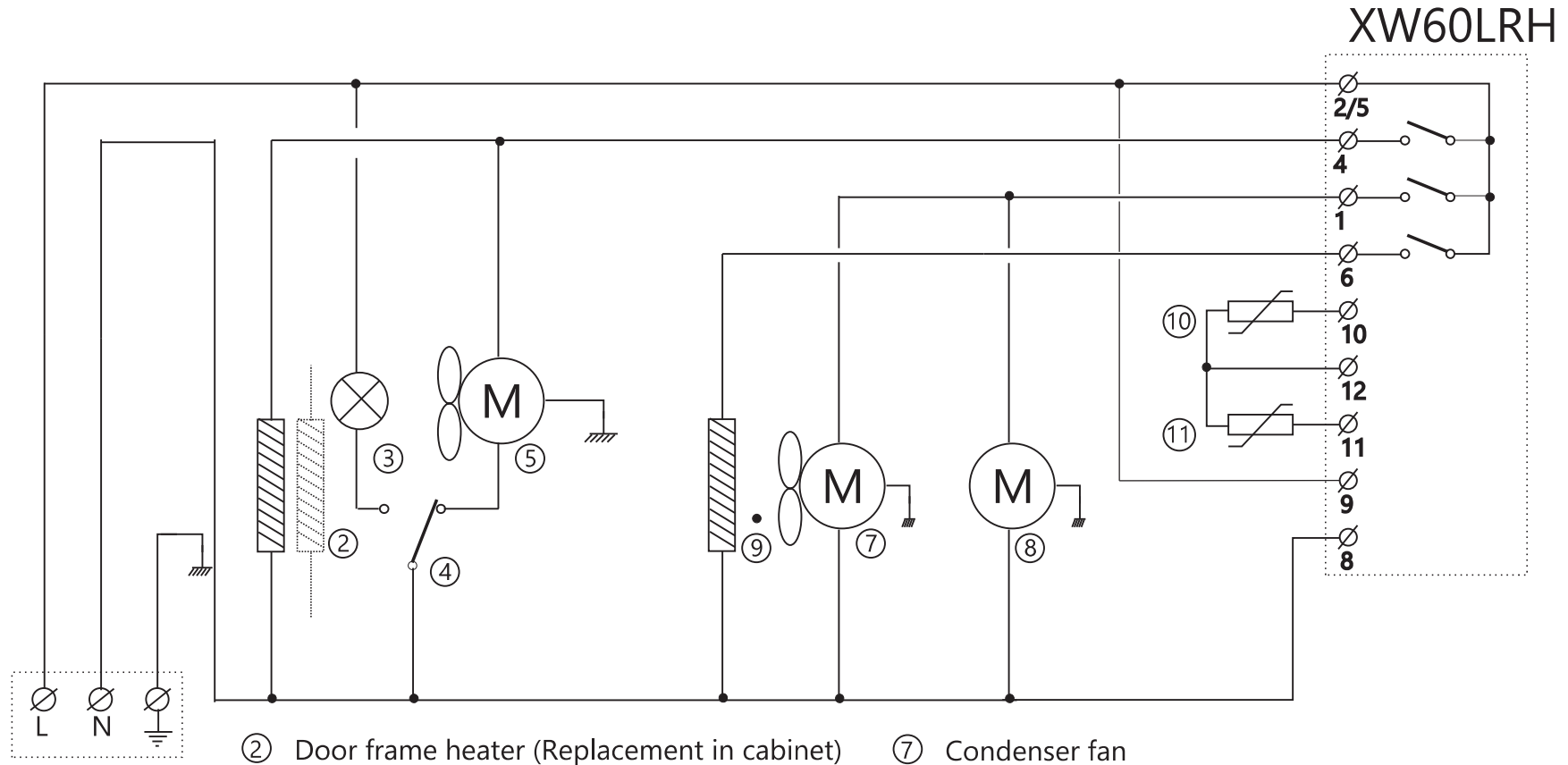
⑪ Cabinet probe

COOLERS



- ② Door frame heater (Replacement in cabinet)
- ③ Internal LED light
- ④ Door switch
- ⑤ Evaporator fan
- ⑦ Condenser fan
- ⑧ Compressor
- ⑩ Evaporator probe
- ⑪ Cabinet probe

FREEZERS



- ② Door frame heater (Replacement in cabinet)
- ③ Internal LED light
- ④ Door switch
- ⑤ Evaporator fan
- ⑦ Condenser fan
- ⑧ Compressor
- ⑨ Defrost heater
- ⑩ Evaporator probe
- ⑪ Cabinet probe