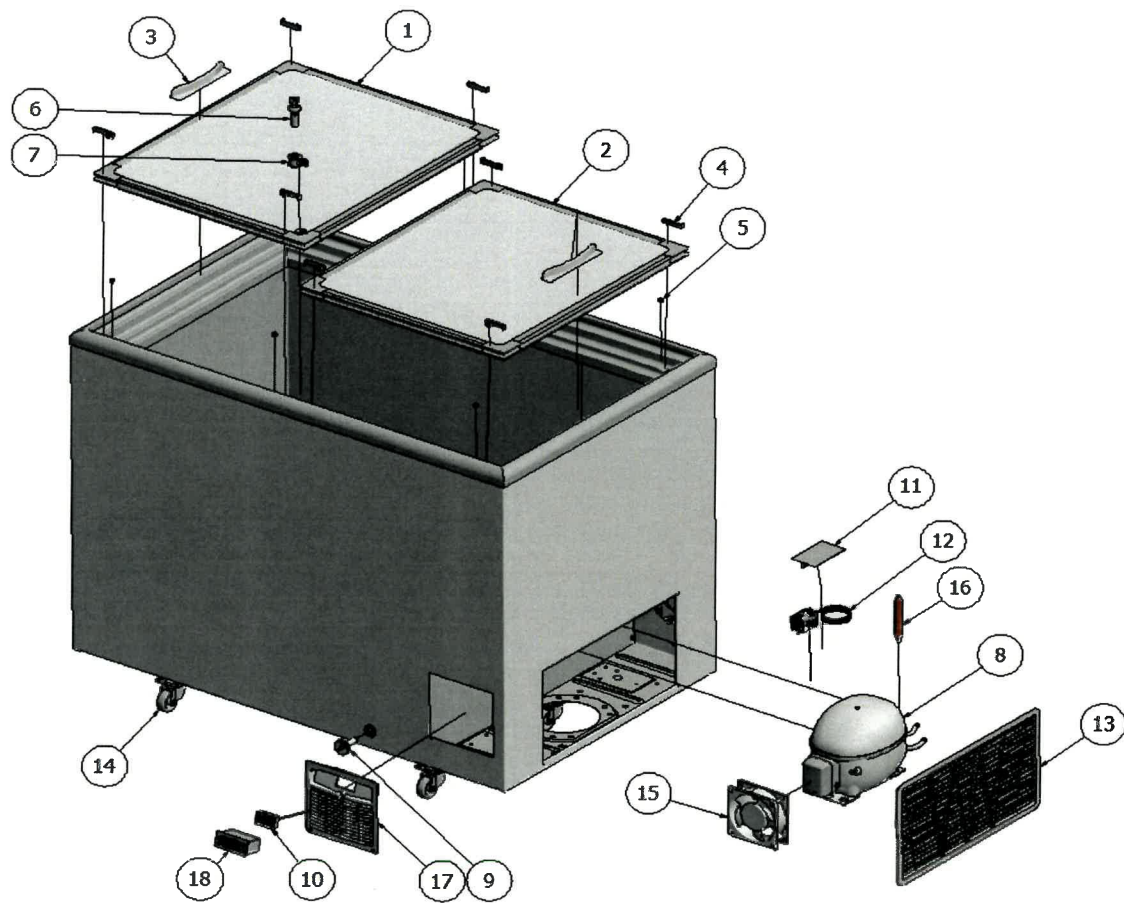


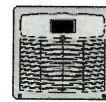
Ersatzteilliste-Explosionszeichnung

Kühl- / Tiefkühlkombination Serie CUBE COMBI (R-290)





PLASTMFP13
w. DIXELL



PLASTMFP15
w. Thermometer

ECO DESIGN 2023

ITEM NO.	DESCRIPTION	CUBE 22		CUBE 35		CUBE 45		CUBE 53		CUBE 61	
		CODE		CODE		CODE		CODE		CODE	
SLIDING SOLID LID											
1	CUBE LID UPPER	8011.0112		8011.0212		8011.0312		8011.0412		8011.0512	
2	CUBE LID LOWER	8011.0113		8011.0213		8011.0313		8011.0413		8011.0513	
3	GREY HANDLE FOR LID	HÄND10		HÄND10		HÄND10		HÄND10		HÄND10	
4	MINI CASTORS UNDER LID (SET to 1 LID)	PLASTD5 - 4 pcs.		PLASTD5 - 4 pcs.		PLASTD5 - 4 pcs.		PLASTD5 - 4 pcs.		PLASTD5 - 4 pcs.	
		PLASTD3, 4 - 2+2 pcs.		PLASTD3, 4 - 2+2 pcs.		PLASTD3, 4 - 2+2 pcs.		PLASTD3, 4 - 2+2 pcs.		PLASTD3, 4 - 2+2 pcs.	
5	DOWELS FOR LOCK (6 PCS)	PLASTD6		PLASTD6		PLASTD6		PLASTD6		PLASTD6	
6	LOCK KIT COMPLETE	8100.0301		8100.0301		8100.0301		8100.0301		8100.0301	
7	LOCK HOLDER IN UPPER GLASS	PLASTD31		PLASTD31		PLASTD31		PLASTD31		PLASTD31	
MOTOR COMPARTMENT											
8	COMPRESSOR 230V 50HZ R290	EMC3117U		EMC3121U		EMC3125U		EMC3134U		EMC3140U	
OTHER											
9	STOPPER FOR OUTSIDE DRAIN	E1HU		E1HU		E1HU		E1HU		E1HU	
10	DIGITAL THERMOMETER	FTERMOMETB2		FTERMOMETB2		FTERMOMETB2		FTERMOMETB2		FTERMOMETB2	
11	THERMOSTAT PANEL	E35H		E35H		E35H		E35H		E35H	
12	THERMOSTAT R290	TERMOSTAT11		TERMOSTAT11		TERMOSTAT11		TERMOSTAT11		TERMOSTAT11	
13	GRILL FOR ENGINE COMPARTMENT	SP1417		SP1417		SP1417		SP1417		SP1417	
14	CASTORS 4 PCS KIT	8100.0200		8100.0200		8100.0200		8100.0200		8100.0200	
14	CASTORS 2 PCS WITH, 2 PCS W/O BRAKE	8100.0202		8100.0202		8100.0202		8100.0202		8100.0202	
15	FAN 110 - 240V	--		--		--		BLAES9		BLAES9	
16	FILTER DRYER	FILTER6XH9		FILTER6XH9		FILTER6XH9		FILTER6XH9		FILTER6XH9	
17	FRONT VENTILATION GRILL	PLASTMFP13,15		PLASTMFP13,15		PLASTMFP13,15		PLASTMFP13,15		PLASTMFP13,15	

Finanzen/Service
28307 Bremen
Thalenhorststraße 15
Tel.+49 421 48557-0
Fax+49 421 488650
bremen@nordcap.de

Vertrieb Ost
12681 Berlin
Wolfener Straße 32/34, Haus K
Tel.+49 30 936684-0
Fax+49 30 936684-44
berlin@nordcap.de

Vertrieb West
40699 Erkrath
Max-Planck-Straße 30
Tel.+49 211 540054-0
Fax+49 211 540054-54
erkrath@nordcap.de

Vertrieb Nord
21079 Hamburg
Großmoorbogen 5
Tel.+49 40 766183-0
Fax+49 40 770799
hamburg@nordcap.de

Vertrieb Süd
55218 Ingelheim
Hermann-Bopp-Straße 4
Tel.+49 6132 7101-0
Fax+49 6132 7101-20
ingelheim@nordcap.de



www.nordcap.de