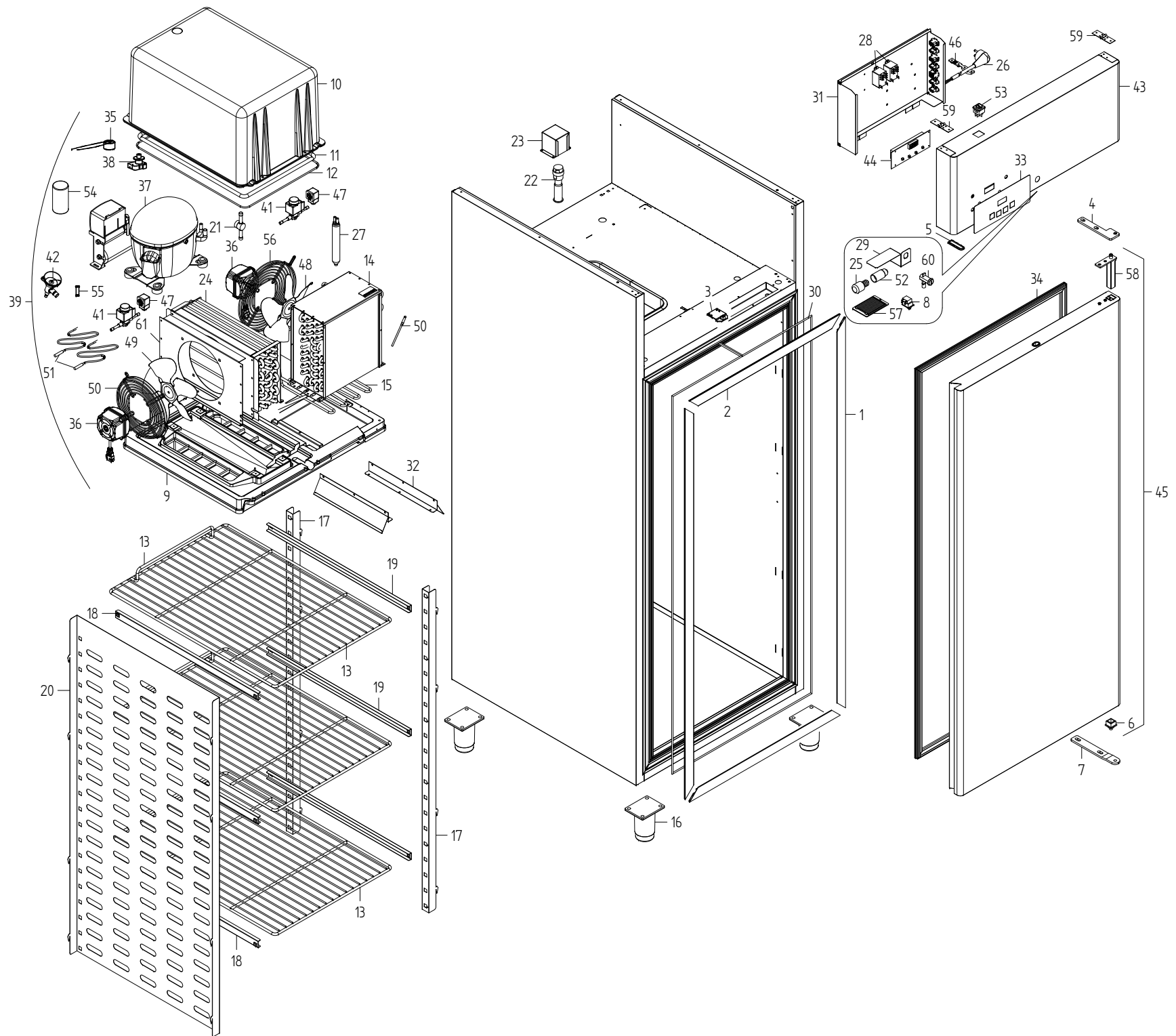


# Ersatzteilliste-Explosionszeichnung

## Eiscreme-Lagerschrank **ELF 680**

[Artikel-Nr.: 458300110]





.....	1	3065170	2	PROFILO CORNICE	FRAME TRIM	PROFIL RAHMEN	LISTEAU CADRE	PERFIL MARCO	
.....	2	3065180	2	PROFILO CORNICE	FRAME TRIM	PROFIL RAHMEN	LISTEAU CADRE	PERFIL MARCO	
.....	3	3065480	1	SUPP.CRUSCOTTO	SUPPORT	HALTER	SUPPORT	SUPORTE	
.....	4	3082260	1	STAFFA SUPERIORE	TOP BRACKET	OBERKASTEN	ETRIER SUPERIEUR	GANCHO SUPERIOR	
.....	5	3082370	1	TAPPO COPRIFORO	HOLE PLUG	ABDECKSTOPFEN	BOUCH.COUVRE TROU	TAPON CUBRE ORIF.	
.....	6	3091340	1	TAPPO PORTA	DOOR PLUG	TUERVERSCHLUSS	BOUCHON PORTE	TAPON PUERTA	
.....	7	3091350	1	STAFFA INFER.	BOTTOM BRACKET	UNTERER BUEGEL	ETRIER INFERIEUR	GANCHO INFERIOR	
.....	8	3096020	1	MICROINTER.	MICROSWITCH	MIKROSCHALTER	MICROINTER.	MICROINTER.	
.....	9	3097250	1	TAMPONE	BUFFER	PUFFER	TAMPON	TAMPÓN	
.....	10	3097260	1	CUFFIA	BONNET	HAUBE	COIFFE	COFIA	
.....	11	3109980	1	GUARNIZIONE	GASKET	DICHTUNG	JOINT	EMPACADURA	
.....	12	3110390	1	RESISTENZA CUFFIA	RESISTOR	WIDERSTAND	RESISTANCE	RESISTENCIA	
.....	13	3129280	6	GRIGLIA	GRID	ROST	CLAYETTE	REJILLA	
.....	14	3134460	1	CONDENS.+CONV.	CONDEN.+BAFFLE	KONDEN.+HAUBE	CONDEN.+CONV.	CONDEN.+TRANSM.	
.....	15	3134600	1	SERPENTINA	PIPE COIL	SCHLANGE	SERPENTIN	SERPENTIN	
.....	16	3137690	4	PIEDE	FOOT	FUSS	PIED	PIE	
.....	17	3144270	2	CREMAGLIERA	RACK	ZAHNSTANGE	CREMAILLIERE	CREMALLERA	
.....	18	3147340	6	GUIDA GRIGLIE SX	GUIDE	FUEHRUNG	GLISSIERE	GUIA	
.....	19	3147350	6	GUIDA GRIGLIE DX	GUIDE	FUEHRUNG	GLISSIERE	GUIA	
.....	20	3169740	1	CONVOGLIATORE ARIA	CONVEYOR	KUEHLERHAUBE	CONVOYEUR	CONDUC.DISTRIB.	
.....	21	3169790	1	SPIA PASS. LIQUIDO	FLOW-ON LIGHT	FLÜSSIGK. KONTROLL	VOYANT FLUXE	ESPIA.PASAJE LIQ.	
.....	22	3179970	1	VALVOLA DI COMPENSAZIONE	VALVE	VENTIL	SOUPAPE	VALVULA	X
.....	23	3185220	1	PROTEZIONE VALVOLA DI COMPENSAZIONE	VALVE GUARD	VENTILSCHUTZ	PROTECTION SOUPAPE	PROTECCION VALVULA	
.....	24	3377610	1	EVAPORATORE	EVAPORATOR	VERDAMPFER	EVAPORATEUR	EVAPORADOR	
.....	25	3210100	1	LAMPADA	LIGHT	LAMPE	LAMPE	LAMPARA	X
.....	26	3221980	1	CAVO ALIM.	POWER CABLE	SPEISEKABEL	CABLE ALIM.	CABLE ALIM.	
.....	27	3225560	1	FILTRO	FILTER	FILTER	FILTRE	FILTRO	
.....	28	3251120	2	RELE' FINDER	RELAY	RELAY	RELAIS	RELAIS	X
.....	29	3254270	1	SUPP. SERRATURA	LOCK SUPPORT	SCHLOSSTUETZE	SUPPORT SERRURE	SOPORTE CERRADURA	
.....	30	3257290	1	RESISTENZA PORTA	RESISTOR	WIDERSTAND	RESISTANCE	RESISTENCIA	X
.....	31	3260760	1	PROTEZ. COMPON.	COMPONENT GUARD	KOMPONENTENSCHUTZ	PROTECTION PIECES	PROTECCION COMPON.	
.....	32	3318770	2	CONVOGLIATORE ARIA	CONVEYOR	KUEHLERHAUBE	CONVOYEUR	CONDUC.DISTRIB.	
.....	33	3395200	1	PANN. SERIG.	SILK-SCREE.PANEL	SIEBGEDR. TAFEL	PANNEAU SERIG.	PANAL SERIG.	
.....	34	3346640	1	GUARNIZ. PORTA	DOOR GASKET	TUERDICHTUNG	GARNITURE PORTE	EMPACADURA	X
.....	35	3353600	1	SALVAMOTORE	ENGINE CUTOUT	MOTORSCHULTZSHALTER	COUPE CIRCUIT MOTEUR	PROTECCION MOTOR	X
.....	36	3366600	2	MOTORE VENTIL.	FAN MOTOR	VENTILATORMOTOR	MOTEUR VENTIL.	MOTOR VENTIL.	X
.....	37	3377590	1	COMPRESSORE	COMPRESSOR	COMPRESSOR	COMPRESSEUR	COMPRESOR	X
.....	38	3377600	1	RELE'	RELAY	RELAY	RELAIS	RELAIS	X
.....	39	3377620	1	GRUPPO MOTORE	MOTOR UNIT	AGGREGAT	GROUPE MOTEUR	GRUPO MOTOR	
.....	40	3378010	1	PROTEZ. VENTIL.	FAN.PROT.	VENTILATORSCH.	PROT.VENTIL.	PROT.VENTILAD.	
.....	41	3378580	2	ELETTROV.SBRIN.	DEFROST SOL.VALVE	ELEKTROV.ABTAU	SOUPAPE EL.DEGIV.	ELECTROV.DESCONG.	
.....	42	3378580	1	VALVOLA TERMOSTATICA	THERMOST. VALVE	THERMOSTATVENTIL	SOUP. THERMOST.	VALV. THERMOST.	
.....	43	3385260	1	CRUSCOTTO	CONTROL BOARD	SCHALTERBLLENDE	TABEAU	TABLERO	
13/07/2022	44	3452080	1	SCHEDA ELETTRONICA	ELECTRONIC CARD	ELEKTROKARTE	FICHE ELECTRONIQUE	TARJETA ELECTR.	X
.....	45	3394980	1	PORTA FRIGO	FRIDGE DOOR	KUEHLSCHRANK	PORTE FRIGO	PUERTA CONG.	
.....	46	32D0020	1	FISSACAVO	CABLE CLAMP	KABELHALTER	SERRE-CABLE	FIJA CABLE	
.....	47	32D0710	2	CONNET.TRIPOL.	THREE-POLE CONN.	DREIIPOL.VERBIND.	CONNEC.TRIPOL.	CONECT.TRIPOLAR	
.....	48	32M2510	1	VENTOLA	FAN	FLUEGELRAD	HELICE	ALABE	
.....	49	32M3280	1	VENTOLA	FAN	FLUEGELRAD	HELICE	ALABE	
.....	50	32V3730	1	SONDA NTC	POROB E NTC	FÜHLER NTC	SONDE NTC	SONDA NTC	X
.....	51	32V6010	2	SONDA NTC	POROB E NTC	FÜHLER NTC	SONDE NTC	SONDA NTC	X
.....	52	32W3800	1	P. LAMPADA	LAMP-HOLDER	LAMPENFASSUNG	PORTE-LAMPE	P/LAMPARA	
.....	53	32W4470	1	INTERR. BIPOL.	BIPOLAR SWITCH	ZWEIPOL. SCHALTER	INTER. BIPOL.	INTER. BIPOLAR	
.....	54	32Z7710	1	CONDENSATORE START	CONDENSER	KONDENSATOR	CONDENSEUR	CONDENSADOR	X
.....	55	33A0300	1	ORIFIZIO	GUIDE	FUEHRUNG	GLISSIERE	GUIA	
.....	56	36C2031	1	PROTEZ. VENTIL.	FAN.PROT.	VENTILATORSCH.	PROT.VENTIL.	PROT.VENTILAD.	
.....	57	36E2240	1	VETRINO PROTEZIONE LAMPADA	LAMP PROTECTION GLASS SLIDE	LAMPENSCHUTZGLAS	VERRE PROTECTION LAMPE	LAMINA DE VIDRIO PROTECCION LAMPARA	
.....	58	36G6520	1	CERNIERA	HINGE	SCHARNIERE	SCHARNIERE	VISAGARA	
.....	59	36M7080	2	CERNIERA FISS.CRUSCOTTO	HINGE	SCHARNIERE	CHARNIERE	VISAGARA	
.....	60	36M7530	1	SERRATURA CHIAVE	KEY LOCK	SCHLUESSELSCHLOSS	SERRURE CLEF	CERRADURA LLAVE	
.....	61	3354780	1	CONVOGLIATORE	CONVEYOR	KUEHLERHAUBE	CONVOYEUR	CONDUC.DISTRIB.	

**Finanzen/Service**  
**28307 Bremen**  
Thalenhorststraße 15  
Tel.+49 421 48557-0  
Fax+49 421 488650  
bremen@nordcap.de

**Vertrieb Ost**  
**12681 Berlin**  
Wolfener Straße 32/34, Haus K  
Tel.+49 30 936684-0  
Fax+49 30 936684-44  
berlin@nordcap.de

**Vertrieb West**  
**40699 Erkrath**  
Max-Planck-Straße 30  
Tel.+49 211 540054-0  
Fax+49 211 540054-54  
erkrath@nordcap.de

**Vertrieb Nord**  
**21079 Hamburg**  
Großmoorbogen 5  
Tel.+49 40 766183-0  
Fax+49 40 770799  
hamburg@nordcap.de

**Vertrieb Süd**  
**55218 Ingelheim**  
Hermann-Bopp-Straße 4  
Tel.+49 6132 7101-0  
Fax+49 6132 7101-20  
ingelheim@nordcap.de



[www.nordcap.de](http://www.nordcap.de)