

Ersatzteilliste-Explosionszeichnung

Elektro-Bratplatte **EBP9 / 1/3 GEK HP**

[Art. 406392405]



FRYTOP ELETTRICO HP E900 XP ELECTRIC GRIDDLES HP E900 XP

PNC	Model	Ref	Notes
391222	E9FTELSS0P	A	ELECTRIC FRY TOP HP SMOOTH PLATE 1200 MM
391223	E9FTELS0P	B	ELECTRIC FRY TOP HP SMOOTH+RIBBED1200 MM
391404	E9IIKDAOMIG	C	ELECTRIC FRY TOP HP SMOOTH 1200 - SCRATCH RESISTANT CHROMIUM
391405	E9IIMDAOMIG	D	ELECTRIC FRY TOP HP SMOOTH+RIBBED 1200 - SCRATCH RESISTANT CHROMIUM
392404	Z9IIKDAOMIG	E	ELECTRIC FRY TOP HP SMOOTH 1200 - SCRATCH RESISTANT CHROMIUM
392405	Z9IIMDAOMIG	F	ELECTRIC FRY TOP HP SMOOTH+RIBBED 1200 - SCRATCH RESISTANT CHROMIUM
393404	N9IIKDAOMIG	G	ELECTRIC FRY TOP HP SMOOTH 1200 - SCRATCH RESISTANT CHROMIUM
393405	N9IIMDAOMIG	H	ELECTRIC FRY TOP HP SMOOTH+RIBBED 1200 - SCRATCH RESISTANT CHROMIUM

Index

General components / Componenti struttura
Spare parts list / Lista ricambi

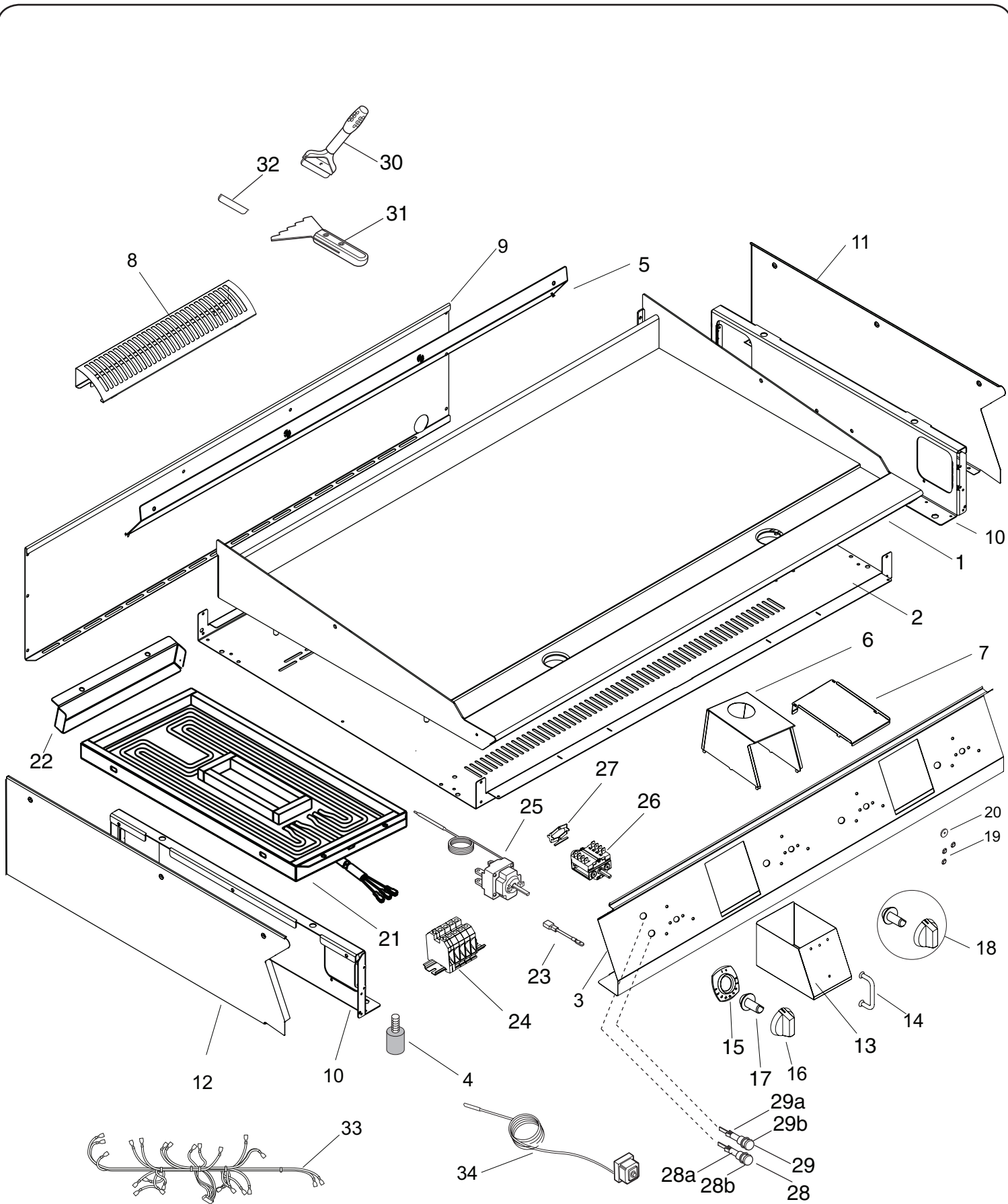
Page

2
3

Bold=last change / Grassetto =ultima modifica

Rev. 4

From Ser. Nr. Up to Ser. Nr.	Ed. 2015-01 Updated 2019-10	Page: 1	Doc No:59785Q200
---------------------------------	--------------------------------	---------	-------------------------



Actual wire harness may be different from illustration.

FRYTOP ELETTRICO HP E900 XP
ELECTRIC GRIDDLES HP E900 XP

Pos	Spare Code	Factory Code	Descrizione	Description	Ref./Notes
1	0C8455	879800602	PIASTRA-RIPIANO LISCIO	SMOOTH PLATE	A
1	0CB639	879800801	PIASTRA-RIPIANO LISCIO/RIGATO	SMOOTH GROVED PLATE	B
1	*	87589J800	PIASTRA-RIPIANO LISCIO	SMOOTH PLATE	C
1	*	87589JA00	PIASTRA-RIPIANO LISCIO	SMOOTH PLATE	E, G
1	*	87589JC00	PIASTRA-RIPIANO LISCIO - 1/3 RIGATO	SMOOTH - 1/3 GROVED PLATE	D
1	*	87589JF00	PIASTRA-RIPIANO LISCIO - 1/3 RIGATO	SMOOTH - 1/3 GROVED PLATE	F, H
2	0CB280	5038A3301	FONDO	BOTTOM PANEL	
3	0C8454	85589DS02	CRUSCOTTO	CONTROL PANEL	A, B, C, D
3	*	85589PY00	CRUSCOTTO	CONTROL PANEL	E, F
3	*	85589PZ00	CRUSCOTTO	CONTROL PANEL	G, H
4	0C5917	518818100	PIEDINO	ADJUSTABLE FOOT	
5	*	50489M601	PROTEZIONE ACQUA	WATER PROTECTION	
6	*	50489KS01	COPERTURA GUIDA CASSETTO	DRAWER RUNNER COVER	
7	*	50489KT01	GUIDA CASSETTO	DRAWER RUNNER	
8	0C7331	509805D01	GRIGLIA CAMINO	CHIMNEY GRID	
9	*	50389JX01	SCHIENALE	BACK PANEL	
10	0C7971	50389K001	STRUTTURA LATERALE	INNER SIDE PANEL	
11	0C7381	50389JV02	FIANCO DESTRO	RIGHT SIDE PANEL	
12	0C7970	50389JW02	FIANCO SINISTRO	LEFT SIDE PANEL	
13	0C7209	855899W01	CASSETTO + MANIGLIA	DRAWER + HANDLE	
14	0C6653	50389CM01	MANIGLIA	HANDLE	
15	0C7626	548877P00	GHIERA	KNOB RING	A, B, C, D
15	0C7430	548879Z00	GHIERA	KNOB RING	E, F, G, H
16	0C6670	511850G01	MANOPOLA	KNOB	A, B, C, D
16	0C7232	548878201	MANOPOLA	KNOB	E, F
16	0A5621	548865500	MANOPOLA	KNOB	G, H
17	0C7345	548877V00	ADATTATORE PER MANOPOLA	KNOB ADAPTOR	A, B, C, D
18	0C8700	548877W00	MANOPOLA + ADATTATORE	KNOB + ADAPTOR	A, B, C, D
19	069567	218912211	MOLLETTA FISSAGGIO GHIERA	RING CONNECTION	
20	0C6171	541813800	RONDELLA IN SILICONE	SILICONE WASHER	
21	0C8453	617839F00	RESISTENZA	HEATING ELEMENT	
22	*	50489KR01	FERMO RESISTENZA	HEATING ELEMENT STOPPER	
23	005370	638865101	RESISTENZA DI CADUTA	DROPPING RESISTOR	
24	0F0112	639808600	MORSETTIERA	TERMINAL BOARD	
25	004363	646809500	TERMOSTATO	THERMOSTAT	
26	0A2134	A05400901	REGOLATORE	REGULATOR	
27	0A2205	A05414500	STAFFA UNIONE	ADAPTOR	
28	005010	876800002	LAMPADA VERDE COMPLETA	GREEN LAMP, COMPLETE	
28a	0C2585	660806900	LAMPADINA	BULB	
28b	0C2587	655800100	LENTE VERDE	GREEN LENS	
29	005011	876800102	LAMPADA ARANCIONE COMPLETA	ORANGE LAMP, COMPLETE	
29a	0C0249	660805600	LAMPADINA	BULB	
29b	0C2182	655800200	LENTE ARANCIO	ORANGE LENS	
30	055995	805848202	RASCHIETTO PIASTRA LISCIA	SCRAPER FOR SMOOTH PLATE	
31	056940	830851300	RASCHIETTO PIASTRA RIGATA	SCRAPER FOR RIBBED PLATE	B, D, F, H
32	0C7017	506887401	LAMA PER RASCHIETTO	SCRAPER BLADE	2 PZ / PCS
33	*	634803301	ASSIEME CAVETTI	WIRE HARNESS	A, B
33	*	634805700	ASSIEME CAVETTI CHR	WIRE HARNESS CHR	C, D, E, F, G, H
34	004269	646808102	55.32562.806 LIMITATORE DI TEMPERATURA 360 °C SIC.POSITIVA	55.32562.806 SAFETY THERMOSTAT	C, D, E, F, G, H

NordCap GmbH & Co. KG
Thalenhorststraße 15
28307 Bremen
Hauptsitz (Service, Finanzen & Personal, Lager, IT, Marketing)

Telefon: +49 421 48557-0
Telefax: +49 421 488650
E-Mail: bremen@nordcap.de

Die NordCap Verkaufsniederlassungen in Deutschland:

Nord: Hamburg • Ost: Berlin • Süd: Ingelheim • West: Erkrath

by **NordCap**[®]

ZANUSSI
PROFESSIONAL