

## Ersatzteilliste-Explosionszeichnung

Umluft-Gewerbekühlschrank Serie KU / TKU Premium



**Thermoregulator**  
refrigerator - 1M - full door

# CABINETS PREMIUM

## R290

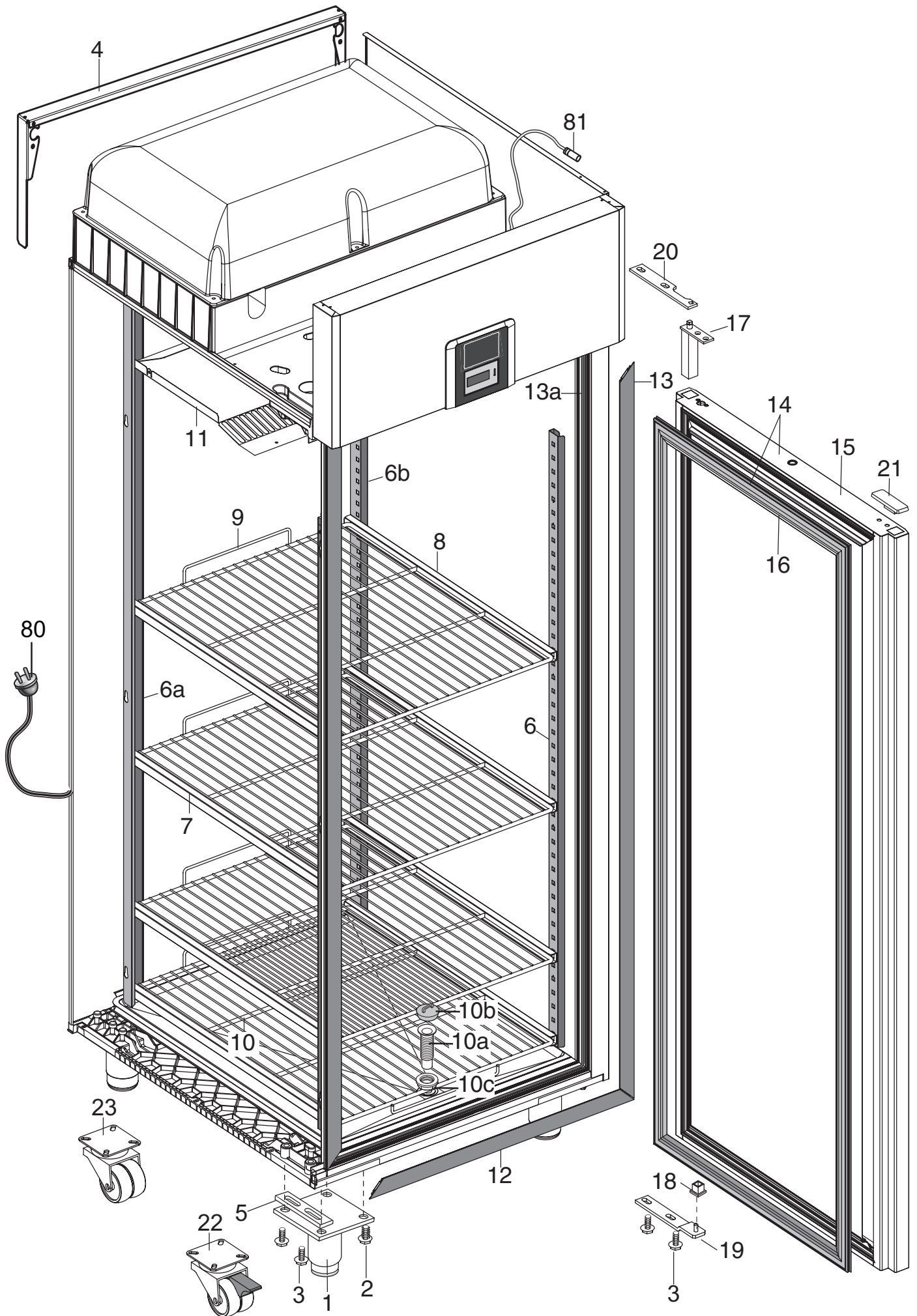
PNC	En Ch.	Description	Brand	Ref.	Page
110154	01/01	FV 1M PREMIUM R290 304/304 DIG. -2/+10	ZANUSSI	p	2,5,6,7,8
110583	00/00	1-DOOR REF 670L -2+10°C,DIGITAL,LEFT-R290	ZANUSSI	u	2,5,6,7,8
110584	00/00	1-DOOR REFR 670L -2+10°C,DIG -R290	ZANUSSI	v	2,5,6,7,8
110585	00/00	1-GLASS DOOR REF 670L +2/+10°C,DIGITAL -R290	ZANUSSI	w	4,5,7
110586	00/00	2½-DOOR REFR 670L -2+10°C,DIGITAL-R290	ZANUSSI	x	3,5,6,7,8
110848	01/01	1-GLASS DOOR REFRIG 670L +2/+10°C, DIGITAL-R290	ZANUSSI	y	4,5,7
190ACF	00/00	2½D REF670L -2+10°C,DIG(R290)+WHEELS-MCD	ELUX PROF	t	3,5,6,7,8
191018	00/00	FV 1M 2 1/2 PORTE TN -2/+10 R290 PREMIUM	ELUX PROF	s	3,5,6,7,8
727310	17/17	FV 1M PREMIUM 304/304 DIG. -2/+10 R290 - RGT	ELUX PROF	a	2,5,6,7,8
727311	17/17	FV 1M PREMIUM 304/304 DIG. -2/+10 R290 - LFT	ELUX PROF	a	2,5,6,7,8
727312	18/18	FV 1M PV PREMIUM R290 304/304 DIG. +2/+10	ELUX PROF	d	4,5,7
727313	19/19	FV 1M 2 1/2 PORTE TN -2/+10 R290 PREMIUM	ELUX PROF	g	3,5,6,7,8
727381	07/18	FV 1M PREMIUM 304/304 DIG. -2/+10 R290 UK	ELUX PROF	c	2,5,6,7,8
727382	19/19	FV 1M PV PREMIUM R290 304/304 DIG. +2/+10 UK	ELUX PROF	f	4,5,7
727383	09/20	FV 1M 2 1/2 PORTE TN -2/+10 R290 PREMIUM UK	ELUX PROF	i	3,5,6,7,8
727456	05/20	FV 1M PREMIUM -2/+10 R290 MC DONALDS	ELUX PROF	l	2,5,6,7,8
727534	06/06	2½D REF670L -2+10°C,DIG(R290)+WHEELS-MCD	ELUX PROF	q	3,5,6,7,8
727545	00/00	1-D REF 670L -2+10°C,DIG R290+WHEELS-MCD	ELUX PROF	r	2,5,6,7,8
727963	01/01	1-GLASS DOOR REFRIG 670L +2+10°C, DIGITAL-R290	ELUX PROF	k	4,5,7
727966	01/01	1-GLASS DOOR REFRIG 670L +2+10°C, DIGITAL-R290-UK	ELUX PROF	j	4,5,7
728683	07/17	FV 1M PREMIUM 304/304 DIG. -2/+10 R290 NCAP	ALPEN	b	2,5,6,7,8
728684	08/18	FV 1M PV PREMIUM R290 304/304 DIG. +2/+10 NCAP	ALPEN	e	4,5,7
728685	09/19	FV 1M 2 1/2 PORTE TN -2/+10 R290 PREMIUM NCAP	ALPEN	h	3,5,6,7,8
728732	03/14	FV 1M PREMIUM 304/304 DIG. -2/+10 R290 UK	ALPEN	m	2,5,6,7,8
728733	03/14	FV 1M PV PREMIUM R290 304/304 DIG. +2/+10 UK	ALPEN	n	4,5,7
728734	04/15	FV 1M 2 1/2 PORTE TN -2/+10 R290 PREMIUM UK	ALPEN	o	3,5,6,7,8
729510	00/00	1-GLASS DOOR REFRIG 670L +2+10°C, DIGITAL-R290	ALPEN	z	4,5,7

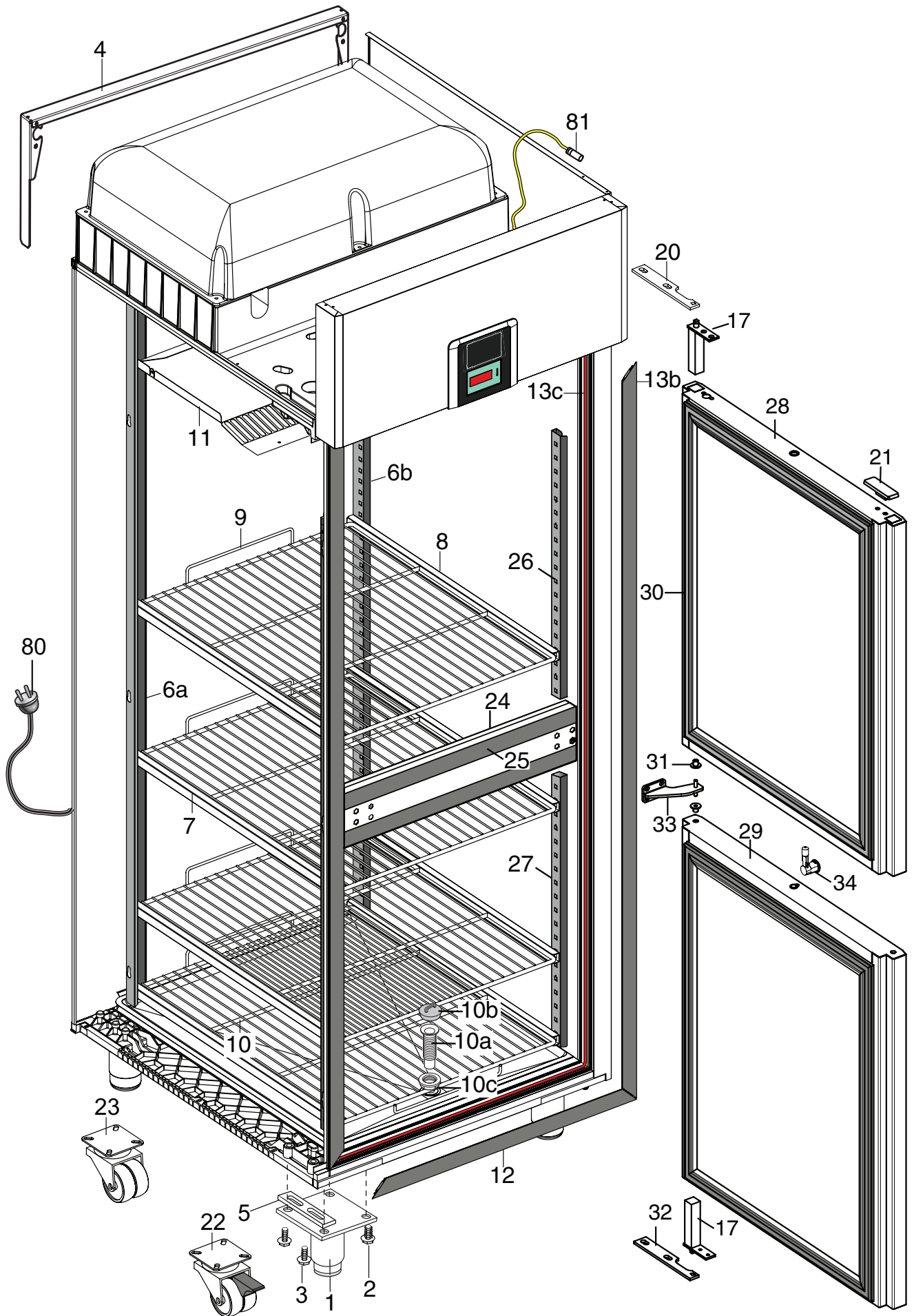
**Note:** per la corretta identificazione dei componenti, attenersi esclusivamente alle pagine indicate e alla lettera di riferimento.

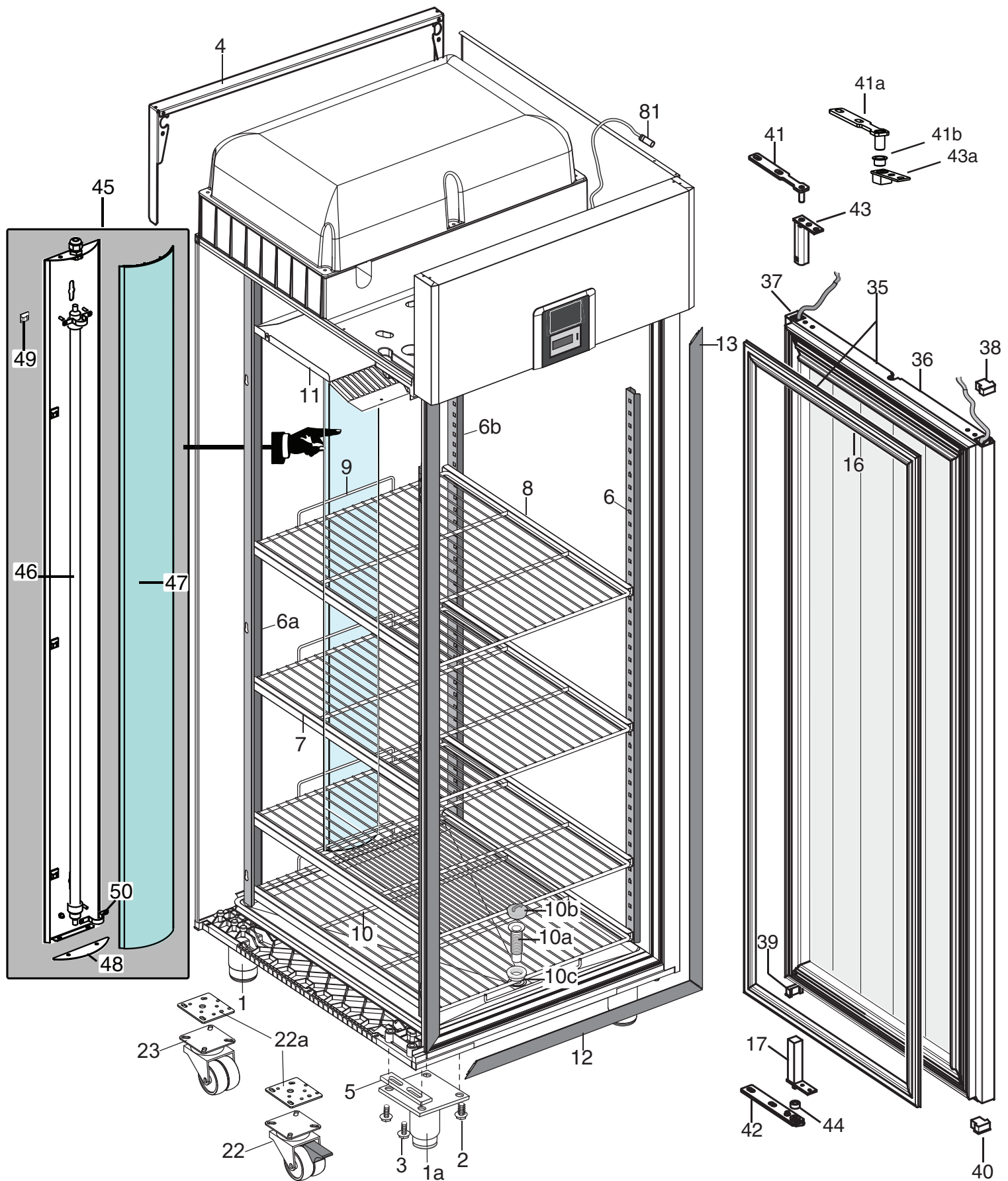
**Note:** for the correct identification of the components, follow the indicated pages and the reference letter.

Pag.	Index	Indice
2,3,4	Cabinet and door	Armadio e porta
5,6	Cooling unit assembly	Gruppo refrigerante
7,8	Control panel	Pannello comandi
9-13	Spare parts list	Lista ricambi

Rev: 13

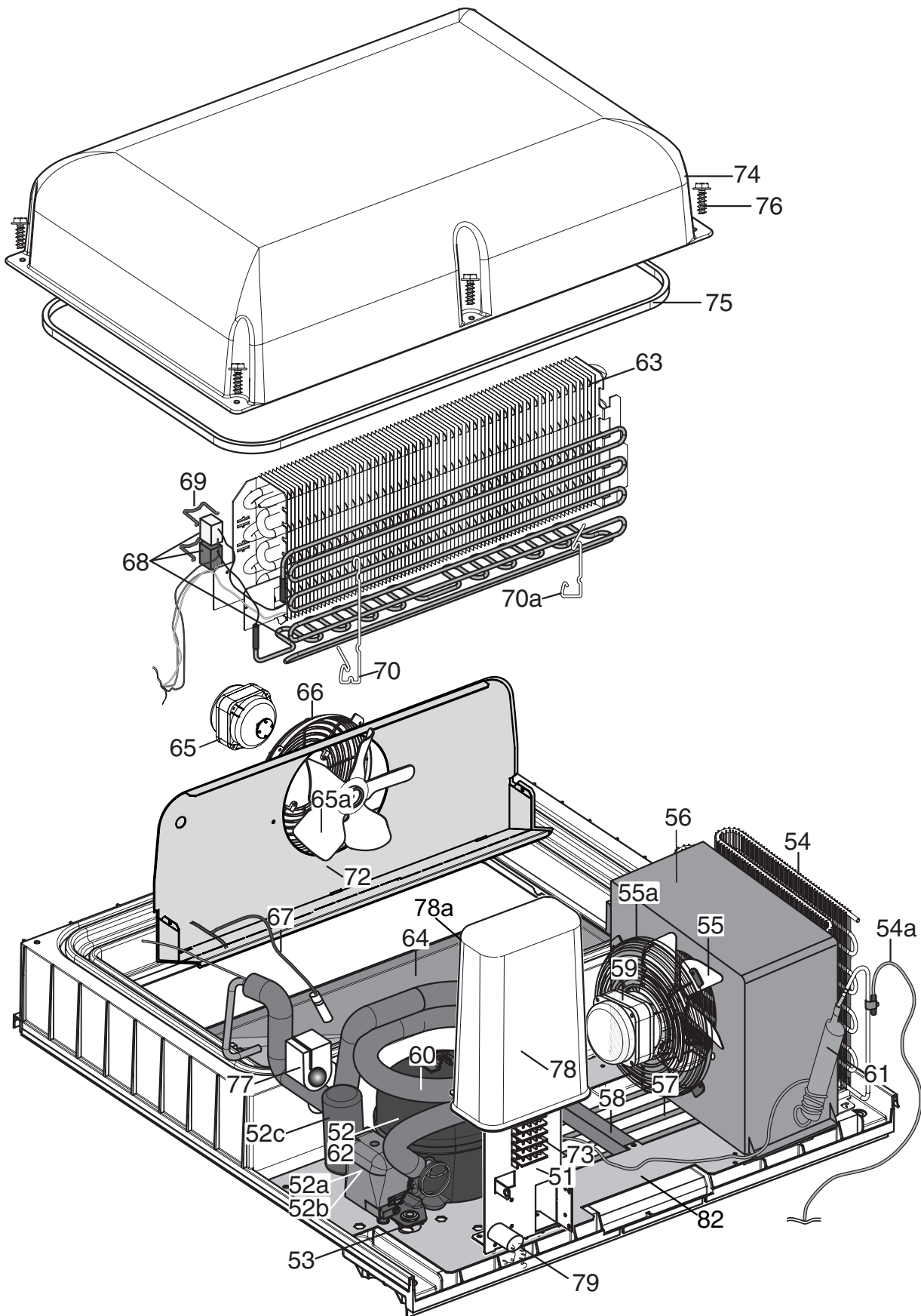




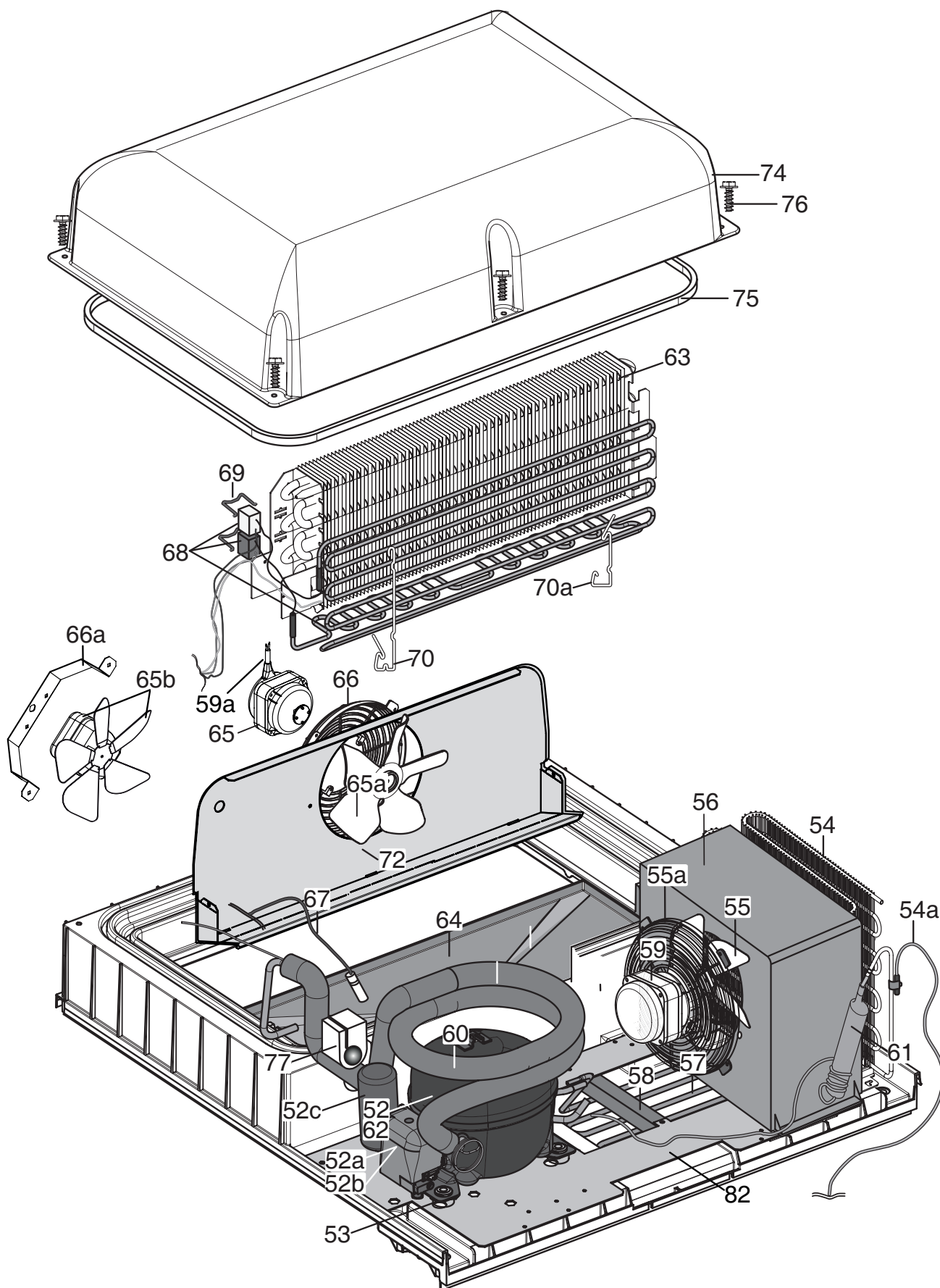


# COOLING UNIT ASSEMBLY

for glass door always and full door up to 2021/37

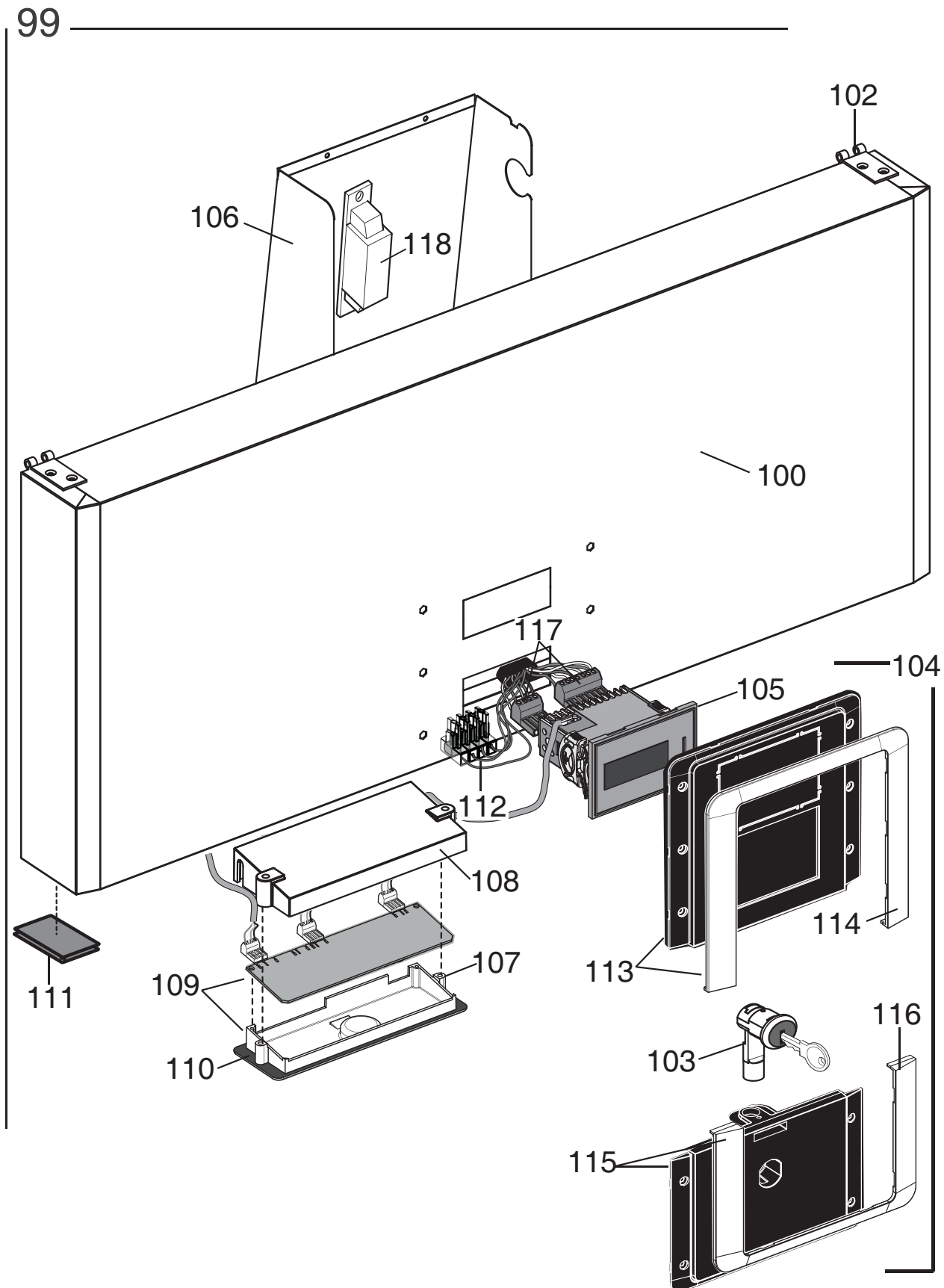


# COOLING UNIT ASSEMBLY for full door from 2021/38



# CONTROL PANEL

for glass door always and full door up to 2021/37

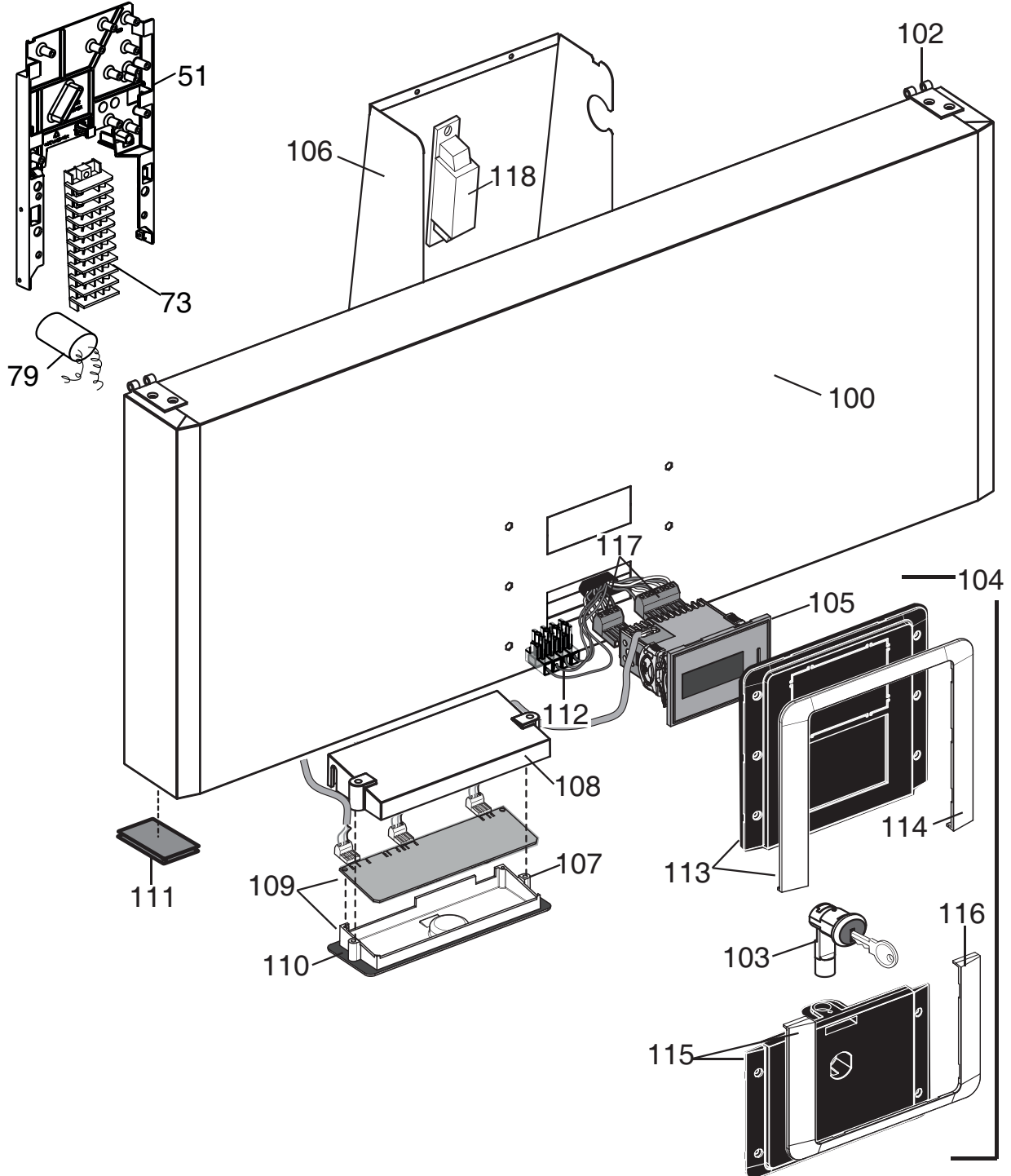




# CONTROL PANEL

## for full door from 2021/38

99



Pos	Spare parts code	Factory code	Descrizione	Description	Ref - Note
1	093243	541R05001	Piedino	Foot	a,b,d,e,g,h,k,p, s,u,v,w,x,y,z
1a	093244	518R02600	Piedino anteriore porta vetro	Back foot glass door	
2	093245	217555204	Vite per plastica per piedino	Screw ( use by fix foot)z	
3	093246	518708601	Vite M8x20 per fiss. staffa sup/inf	Screw M8X20 ( use by fix bracket)	
4	093247	502R17400	Staffa supporto fianchi	Side support (upper)	
5	093248	546R22800	Distanziale per piede	Foot spacer	
6	093355	501R36201	Cremagliera anteriore	Front Rack	
6a	093356	501R48300	Cremagliera posteriore dx 304	Right back rack	
6b	093357	501R36101	Cremagliera posteriore sx 304	Left back rack	
7	093358	501R48000	Guida Sx	Left support	
8	093359	501R48200	Guida Dx	Right support	
9	093252	514R10600	Griglia 2/1 rilsan	Grid 2/1rilsan	a,c,d,f,g,i,j,k,l,m,n, o,q,r,t,u,v,w,x,y,z
9	093360	514R10700	Griglia 2/1 aisi 304	Grid 2/1 aisi 304	b,e,h
10	093253	514R12200	Griglia di fondo rilsan	Bottom grid rilsan	a,c,d,f,g,i,j,k,l,m,n, o,q,r,t,u,v,w,x,y,z
10	093296	514R12100	Griglia di fondo aisi 304	Bottom grid aisi 304	b,e,h
10a	093714	546R26000	Piletta	Drain pipe	
10b	085535	545733700	Tappo	Plug	
10c	081797	544701400	Dado per piletta	Nut pipe	
11	*	875R37401	Assieme carter interno	Internal protection assembly	
12	093254	832R09001	Cornice orrizzontale	Orrizzontal frame	
13	093255	832R09101	Cornice verticale	Vertical frame	
13b	093256	832R09300	Cornice verticale 1/2 porte	Vertical frame 1/2 doors	
13a	093361	617R07101	Cavo riscaldante cornice 8,9 W	Heating cable frame 8,9 W	Up to 2021/37
13a	097288	617R26000	Cavo riscaldante cornice 8,9 W	Heating cable frame 8,9 W	From 2021/38
13c	093362	617R07302	Cavo riscaldante cornice 1/2 porte	Heating cable frame half doors	
14	093478	835R27208	Porta con guarnizione aisi 304	Gasket and door	
15	093477	835R27607	Porta aisi 304	Door	a,b,c,l,m,r,u,v
16	093257	548R06802	Guarnizione porta vetro	Gasket glass door	a,b,c,d,f,l,m, u,v,w
16	094152	548R08000	Guarnizione porta cieca e porta vetro LED	Gasket door full door and LED glass door	full door and j,k,y,z
17	082219	835704001	Cerniera porta	Hinge door	
18	081654	544700601	Boccola per porta	Door bush	
19	093341	833R21600	Staffa inferiore porta	Lower stirrup door	
20	082257	505723802	Staffa superiore porta	Upper stirrup door	a,b,c,g,l,m,q, r,s,t,u,v,x
21	093271	541R05301	Tappo per cerniere	Hole hinge plug	
22	093575	835R24900	Ruota rotante con freno	Brake weel	f,i,c,j,m,n,o
22a	096411	0504r17300	Piastra di sostegno	Support plate for wheels	j
23	093574	835R24800	Ruota rotante	Weel	f,i,c,j,m,n,o
22	087110	835739900	Ruota rotante con freno	Brake weel	l,q,r,t
23	087111	835740000	Ruota rotante	Weel	l,q,r,t
24	093342	880R64100	Traversa per 1/2 porte a304	Support half door a304	
25	093272	832R10000	Cornice per traversa	Support half door frame	
26	093363	501R51700	Cremagliera ant. 1/2 porte sup.	Upper rack 1/2 doors a304	
27	093364	501R46100	Cremagliera ant. 1/2 porte 304 inf.	Lower rack 1/2 doors a304	
28	093546	835R26310	Ass.1/2 porta superiore a304	Upper half door a304	
29	093519	835R25509	Ass.1/2 porta inferiore a304	Lower half door a304	
30	094153	548R08101	Guarnizione magnetica 1/2 porte	Half door gasket	
31	093392	546R21100	Boccola per cerniera 1/2 porte	Half door bush	

Pos	Spare parts code	Factory code	Descrizione	Description	Ref - Note
32	093301	833R21900	Ass. staffa inf.( reversibile) pv-1\2p	Lower bracket ( reversible)	
33	093344	505R12400	Cerniera centrale	Central hinge door	
34	093433	833R21100	Serratura	Serratura	
35	093522	880R57102	Ass. porta vetro con cerniere prem.	Glass door assembly complete prem.	
35	*	883R04301	Ass. porta vetro con cerniere prem.	Glass door assembly complete prem.	j,k,y,z
36	093461	879R15700	Porta vetro premium	Glass door	
36	096174	879R36700	Porta vetro premium LED	Glass door LED	j,k,y,z
37	093535	546R22400	Tappo sup. dx pv	Upper right plug door GL	
38	093536	546R22300	Tappo sup. sx pv	Upper left plug door GL	
39	093537	546R22500	Tappo inf. dx pv	Lower right plug door GL	
40	093538	546R22200	Tappo inf. sx pv	Lower left plug door GL	
41	093349	505R12700	Staffa superiore pv	Upper hinge GL	
41a	096180	505R21900	Staffa superiore pv LED	Upper hinge GL LED	j,k,y,z
41b	096182	546R35300	Boccola GFM-16-18-16	Bush GFM-16-18-16	j,k,y,z
42	093301	833R21900	Ass. staffa inf.( reversibile) pv	Lower bracket ( reversible)	
43	093320	835R28100	Ass cerniera sup pv	Upper hinge GL	
43a	096181	505R22000	Ass cerniera sup pv LED	Upper hinge GL LED	j,k,y,z
44	093517	546R23100	Boccola per cerniera PV	Hinge bush GL	
45	093303	880R60701	Ass. porta lampada completo	Light support assembly	d,e,f,n up to 2471...
45	094484	835R26801	Ass. porta lampada completo	Light support assembly	d,e,f,n,w from 2481...
46	093350	661R01000	Lampada 28W	Neon 28W	d,e,f,n,w
47	093258	546R22600	Frontale lampada	Protection light	d,e,f,n,w
48	093351	501R49500	Tappo chiusura luce	Plug of clousure	d,e,f,n,w
49	093352	546R23200	Ferma cavo	Wiring stopper	d,e,f,n,w
50	093321	501R50200	Fermo lampada	Stopper light	d,e,f,n,w
			mod. gruppo 1 modulo	condensing unit	
51		502R24300	Supporto impianto elettrico	Electrical wiring support	Glass door always
51		502R24300	Supporto impianto elettrico	Electrical wiring support	Full door up to 2021/37
51	097284	546R43401	Supporto impianto elettrico	Electrical wiring support	Full door from 2021/38
52	093425	684R05700	Compressore (EMT6144U) 220/50 hz	Compressor (EMT6144U) 220/50hz	
52a	*	*	Relè avviamento	Start relay (EMT6144U)	
52b	*	*	Protettore	Protector (EMT6144U)	
52c	*	*	Condensatore di avviamento	Start capacitor (EMT6144U)	
53	087122	518708401	Gommino per compressore	Rubber compressor	
54	093346	830R06500	Condensatore	Condenser	
54A	092360	646R09400	Sonda condensatore	Probe condenser	
55	089697	511708800	Ventola 230-31 (elco)	Ventola 230-31(elco)	
55a	089755	546709500	Protezione ventola	Fan protection	
56	093602	546R24200	Supporto motore condensatore	Fan condenser support	
57	093259	515R12700	Serpentina evap. acqua di condensa	Evaporation water pipe	
58	093260	543R09300	Fissaggio serpentina	Stopper pipe	
59	096995	682R14200	Ventilatore condensatore (elco)	Condenser fan (elco)	
<b>59a</b>	<b>097055</b>	<b>635R37900</b>	<b>Cablaggio ventilatore</b>	<b>Fan wiring</b>	<b>From 2021/38 Up to 2022/11</b>
<b>59a</b>	<b>097055</b>	<b>635R37900</b>	<b>Cablaggio ventilatore</b>	<b>Fan wiring</b>	<b>From 2023/50</b>
60	096488	858R06900	Scambiatore	Heat exchanger	
61	099949	858R00100	Filtro	Dehydrator filter	
62	0A8171	A02021800	Valvola per compressore	Compressor valve (charge or disch.)	
63	093323	830R03901	Evaporatore 2R 8T	Evaporator 2R 8T	

Pos	Spare parts code	Factory code	Descrizione	Description	Ref - Note
64	093469	546R19201	Vaschetta evaporatore	Evaporator tray	
65	093367	682R05800	Ventilatore evaporatore (ebm)	Evaporator fan (ebm)	Up to 2021/37
<b>65</b>	<b>096231</b>	<b>682R12600</b>	<b>Ventilatore evaporatore (ebm)</b>	<b>Evaporator fan (ebm)</b>	<b>From 2021/38 Up to 2022/11</b>
<b>65</b>	<b>096231</b>	<b>682R12600</b>	<b>Ventilatore evaporatore (ebm)</b>	<b>Evaporator fan (ebm)</b>	<b>From 2023/50</b>
65a	084920	511705100	Ventola 200-25	Fan 200	Up to 2013/06
<b>65a</b>	<b>093783</b>	<b>511R01200</b>	<b>Ventola 200-25</b>	<b>Fan 200</b>	<b>From 2013/07 Up to 2022/11</b>
<b>65a</b>	<b>093783</b>	<b>511R01200</b>	<b>Ventola 200-25</b>	<b>Fan 200</b>	<b>From 2023/50</b>
<b>65b</b>	<b>097000</b>	<b>682R02C00</b>	<b>Ventilatore evaporatore (FIME)</b>	<b>Evaporator fan (FIME)</b>	<b>From 2022/12 Up to 2023/49</b>
<b>66</b>	<b>089770</b>	<b>546709600</b>	<b>Griglia evap. P200</b>	<b>Fan protection</b>	<b>Up to 2022/11</b>
<b>66</b>	<b>089770</b>	<b>546709600</b>	<b>Griglia evap. P200</b>	<b>Fan protection</b>	<b>From 2023/50</b>
<b>66a</b>	<b>093326</b>	<b>502R52400</b>	<b>Staffa ventilatore</b>	<b>Fan support</b>	<b>From 2022/12 Up to 2023/49</b>
67	092174	646R06800	Sonda cella 2000	Cell probe	a,b,e,u,v,w
67	092173	646R06700	Sonda cella 1500	Cell probe	c,d,f,g,h,i,j,k,l, m,n,o,q,r,s,x,y,z
68	093327	617R06101	Resistenza con termostati 2R	Heating element with thermostat	a,b,c,g,h,i l,m,o,q,r,s,t,u,v,x Up to 2021/37
68	097286	617R25400	Resistenza con termostati 2R	Heating element with thermostat	a,b,c,g,h,i l,m,o,q,r,s,t,u,v,x From 2021/38
69	093487	514R11601	Molla per fissaggio termostati	Thermostat spring	a,b,c,g,h,i l,m,o,q,r,s,t,u,v,x
70	093368	514R10801	Molla per fissaggio resistenza 2R	Heating element spring 2R	a,b,c,g,h,i l,m,o,q,r,s,t,u,v,x
70a	093353	514R12000	Molla per fissaggio resistenza 83,5	Heating element spring 83,5	a,b,c,g,h,i l,m,o,q,r,s,t,u,v,x
<b>72</b>	<b>093370</b>	<b>501R43902</b>	<b>Convogliatore evaporatore P.200</b>	<b>Evaporator conveyor A304</b>	<b>Up to 2022/11</b>
<b>72</b>	<b>093370</b>	<b>501R43902</b>	<b>Convogliatore evaporatore P.200</b>	<b>Evaporator conveyor A304</b>	<b>From 2023/50</b>
<b>72</b>	<b>093294</b>	<b>501R44003</b>	<b>Convogliatore evaporatore P.200</b>	<b>Evaporator conveyor A304</b>	<b>From 2022/12 Up to 2023/49</b>
73	093528	639R09900	Morsettiera	Clamp	
74	093261	835R24101	Assieme Calotta	Evaporator cover	Up to 6181
74	095201	835R47601	Assieme Calotta	Evaporator cover	From 6191
*	095200	0881R32401	Modulo Calotta TN	Evaporator cover Module TN	
*	095202	0546R34400	Staffa per calotta schiumata	Support for foamed Evaporator	
75	093262	14701R003	Neoprene espanso 8x13,3 nero (M4)	Gasket cover (neoprene 8x13,3)	
76	093245	217555204	Vite senza punta x plastica	Cover screw	
77	093263	546R19702	Tamponcino per tubi	Pipe cover insulation	
78	094425	546R26501	Copertura scatola impianto elettrico	Wiring box cover	Glass door always
78	094425	546R26501	Copertura scatola impianto elettrico	Wiring box cover	Full door up to 2021/37
78a	093976	546R26701	Scatola impianto elettrico	Wiring box	Glass door always
78a	093976	546R26701	Scatola impianto elettrico	Wiring box	Full door up to 2021/37
79	096636	694R00502	Filtro antidisturbo	Electrical filter	
80	095750	635R32300	Cavo di alimentazione Schuko	Schuko power supply cable	a,b,d,e,g,h,k,p, q,r,s,u,v,w,x,y,z
81	093371	646R10900	Sonda ambiente	Ambient probe	
82	094451	546R26800	Basamento gruppo	Basement	
99	093591	880R51905	Cruscotto senza mascherina A304	Panel without template A304	a,b,c,g,h, i,l,m,o,q,s,t,u,v,x Up to 2021/37

Pos	Spare parts code	Factory code	Descrizione	Description	Ref - Note
99		883R21702	Cruscotto senza mascherina A304	Panel without template A304	a,b,g,h,i,m, o,p,q,r,s,u,v,x From 2021/38
99		883R30801	Cruscotto senza mascherina A304 UK TN	Panel without template A304 UK TN	c From 2021/38
99		883R31101	Cruscotto senza mascherina A304 GEWISS	Panel without template A304 GEWISS	l,t From 2021/38
99	*	880R61107	Cruscotto senza masch. aisi 304 PV	Panel without template aisi 304 GL	d,e,f,n,w
99	*	883R04202	Cruscotto senza masch. aisi 304 PV	Panel without template aisi 304 GL	j,k,y,z
100	093525	509R13404	Cruscotto comandi	Panel 304 AISI	Up to 20213/7
100	096187	509R25000	Cruscotto comandi	Panel 304 AISI	j,k,y,z up to 2021/37
100		509R25001	Cruscotto comandi	Panel 304 AISI	From 2021/38
102	093609	832R10100	Cerniera per cruscotto dx	Hinge for panel right	
102a	093610	832R10200	Cerniera per cruscotto sx	Hinge for panel left	
103	093345	833R20900	Serratura	Latch	
104	093380	855R10802	Ass.masch. porta/cruscotto Elux	Complete template door and panel	a,c,g,i,l,q,r,s,t
104	093381	855R10900	Ass.masch. porta/cruscotto Zan	Complete template door and panel	p,u,v,x
104	093382	855R11000	Ass.masch. porta/cruscotto Apx	Complete template door and panel	b,h,m,o
104	093383	855R11102	Ass.masch. porta/cruscotto pv Elux	Complete template door and panel	d,f,j,k
104	093384	855R11200	Ass.masch. porta/cruscotto pv Zan	Complete template door and panel	w,y
104	093385	855R11300	Ass.masch. porta/cruscotto pv Apx	Complete template door and panel	e,n,z
105	093437	646R10601	Termoregolatore ir33 premium pc	Thermoregulator premium	To be set
106	094389	501R37403	Protezione	Protection led-lamp	Up to 2021/43
106	097245	504R35000	Protezione	Protection	From 2021/44
107	093386	546R19501	Supporto scheda led	Support led-lamp	
108	093387	546R19600	Protezione scheda led	Protection led-lamp	
109	093810	855R12700	Ass. scheda led+supp. plastica	Led-lamp board GL + Support	
110	093390	569R05900	Guarnizione per cheda led	Ledlamp board gasket	
111	093269	541R05401	Tappo per cerniera porta	Door hinge plug	
112	093391	639R10400	Morsetto	Clamp	
113	*	855R09900	Ass. mascherina cruscotto Elux	Assembled template panel Elux	a,c,g,i,l,q,r,s,t
113	*	855R10000	Ass. mascherina cruscotto Zan	Assembled template panel Zan	p,u,v,x
113	*	855R10100	Ass. mascherina cruscotto Apx	Assembled template panel Apx	b,h,m,o
113	*	855R10200	Ass. mascherina cruscotto pv Elux	Assembled template panel gl Elux	d,f,j,k
113	*	855R10300	Ass. mascherina cruscotto pv Zan	Assembled template panel gl Zan	w,y
113	*	855R10400	Ass. mascherina cruscotto pv Apx	Assembled template panel gl Apx	e,n,z
114	*	546R20000	Cornice mascherina cruscotto Elux	Template frame for panel	a,c,d,f,g,i,j,k,l,q, r,s,t
114	*	546R20100	Cornice mascherina cruscotto Z/Apx	Template frame for panel	b,e,h,m,n,o,p, u,v,w,x,y,z
115	*	855R10501	Ass. mascherina porta Elux	Assembled template door Elux	a,c,d,f,g,i,j,k,l,q, r,s,t
115	*	855R10600	Ass. mascherina porta Zan	Assembled template door Zan	p,u,v,w,x,y
115	*	855R10700	Ass. mascherina porta Apx	Assembled template door Apx	b,e,h,m,n,o,z
116	*	546R20200	Cornice mascherina porta Elux	Control door frame Elux	a,c,d,f,g,i,j,k,l,q, r,s,t
116	*	546R20300	Cornice mascherina porta Zan/Apx	Control door frame Zan/Apx	b,e,h,m,n,o,p, u,v,w,x,y,z
*	093491	217541085	Vite per fissaggio mascherina M3x8	Screws M3X8 for control door/panel	
117	*	639R06800	Connettore dritto 3 vie	Connector 3 ways right	
117	*	639R06900	Connettore dritto 7 vie	Connector 7 ways right	
117	099740	*	Connettore 90° 7 vie	Connector 7 ways 90°	
117	099741	*	Connettore 90° 5 vie	Connector 5 ways 90°	
117	088998	*	Connettore 90° 3 vie	Connector 3 ways 90°	

Pos	Spare parts code	Factory code	Descrizione	Description	Ref - Note
117	099743	*	Connettore 90° 3 vie piccolo	Connector 3 ways 90° small	
117	099742	*	Connettore 90° 2 vie	Connector 2 ways 90°	
117	091682	*	Connettore 90° 4 vie	Connector 4 ways 90°	
117	091684	*	Connettore 90° 5 vie	Connector 5 ways 90°	
*	093180	639R09600	Convertitore spina UK	UK plug converter	c,f,i,j,m,n,o
118	093270	624R01400	Alimentatore	Light power	d,e,f,w
118	096179	648R11300	Alimentatore	Light power	j,k,y,z up to 2021/37
118	097052	648R11700	Alimentatore	Light power	j,k,y,z from 2021/38

**Finanzen / Service**  
**28307 Bremen**  
Thalendorststraße 15  
Tel.+49 421 48557-0  
Fax+49 421 488650  
bremen@nordcap.de

**Vertrieb Ost**  
**12681 Berlin**  
Wolfener Straße 32/34, Haus K  
Tel.+49 30 936684-0  
Fax+49 30 936684-44  
berlin@nordcap.de

**Vertrieb West**  
**40699 Erkrath**  
Max-Planck-Straße 30  
Tel.+49 211 540054-0  
Fax+49 211 540054-54  
erkrath@nordcap.de

**Vertrieb Nord**  
**21079 Hamburg**  
Großmoorbogen 5  
Tel.+49 40 766183-0  
Fax+49 40 770799  
hamburg@nordcap.de

**Vertrieb Süd**  
**55218 Ingelheim**  
Hermann-Bopp-Straße 4  
Tel.+49 6132 7101-0  
Fax+49 6132 7101-20  
ingelheim@nordcap.de



[www.nordcap.de](http://www.nordcap.de)