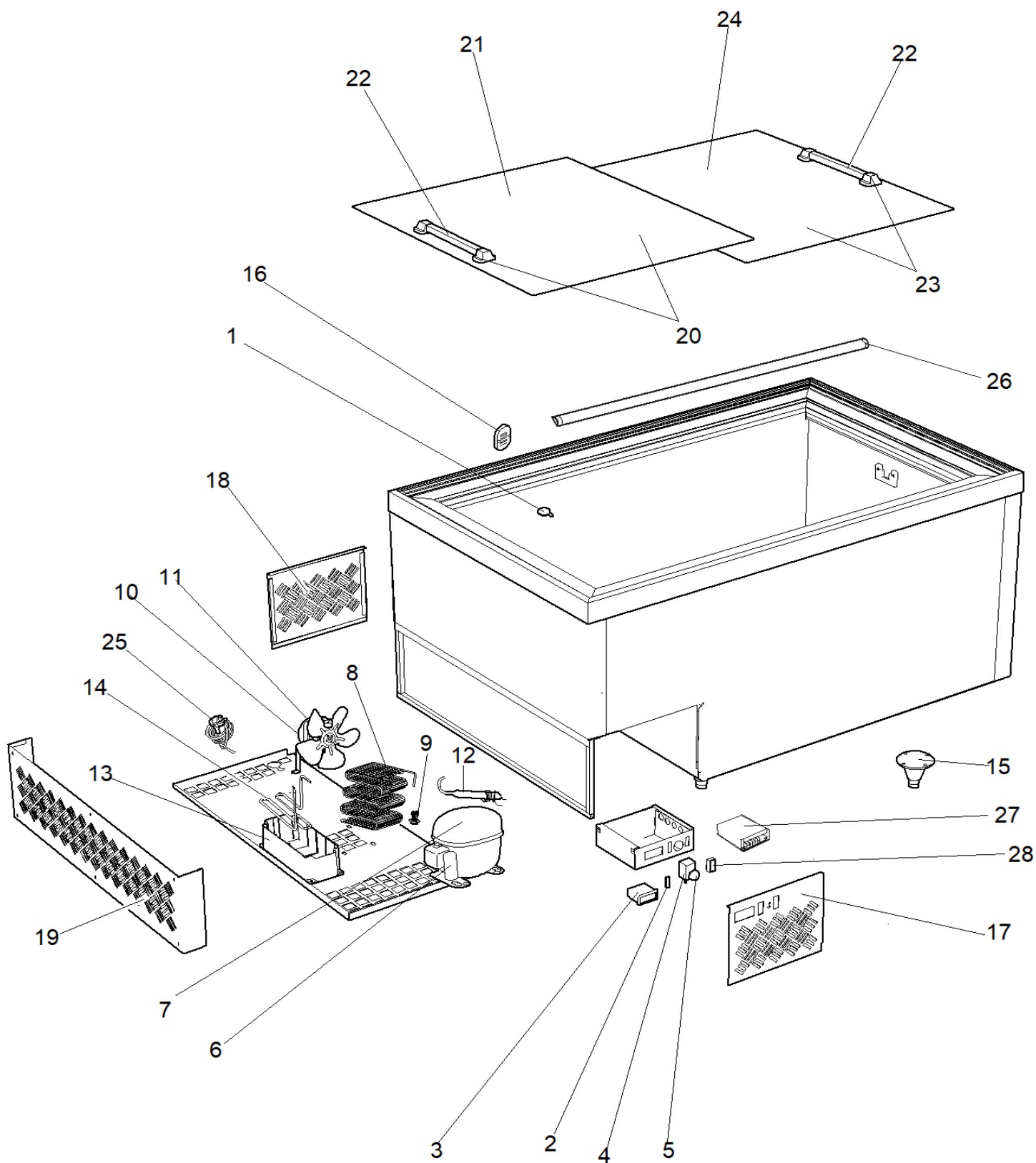


# Ersatzteilliste-Explosionszeichnung

## Tiefkühltruhe Oasi 150-W LED

[Art. 4658600150]





Pos.	Code	Description	Qty
1	1721037	CAP CLOSING DRAINAGE WHITE	1
2	4001200004000	GREEN LIGHT AMPOULE	1
3	4100500015000	RECTANGULAR THERMOMETER CAPIL.L=2000 BULB D.6,5	1
4	1101052	THERMOSTAT K54BS2114000 VT150-200-250 R290 ->	1
5	1721768	THERMOSTAT KNOB WITH NUMBER CHEF P-CGR ->	1
6	1147591	ACC.SET NLY12LAa 220-240V 50HZ CSIR R290	1
7	4106135	COMP.NLY12LAa 220-240V 50HZ CSIR R290	1
8	4111056	WIRE CONDENSER BUNDY 8T 8R KING SIZE	1
9	1722340	BRACKET CONDENSER BUNDY HOLDER	4
10	4121155	MOTOR FAN ELECTRONIC BRACKET H72	1
11	4122029	FAN D.230X31° PRESS ALUMINUM	1
12	3141032	FILTER XH9 ENTRY 5 OUT 2.75 GR20	1
13	1722791	TANK WATHER 280X110X80H	1
14	8922756	PIPE COIL TANK WHATER	1
15	4420600011000	ADJUSTABLE FOOT AGOPLAST VT/E	4
16	3420499412000	THERMOM.-THERMOSTAT BULB-COVER VS-VT/E WHITE	1
17	8522993	FRONT GRID OASI MD LED	1
18	8522673	REAR GRID OASI WHITE	1
19	8522674	LATERAL GRID OASI WHITE	1
20	9903971F	COMPLETE UPPER GLASS ISOLA 150	1
21	1755118F	UPPER GLASS 150+GASKET	1
22	2151042F	HANDLE FOR GLASS OASI+PLUGS	2
23	9903951F	COMPLETE LOWER GLASS ISOLA 150	1
24	1755122F	LOWER GLASS 150+GASKET	1
25	1121014	CABLE SUPPLY 3X1,5X3000 EUROPEAN PLUG TYPE SHUKO	1
26	1112102	LED LAMP 12W L1200 24V CABLE L1500	1
27	1171020	POWER SUPPLY LED 24V REF.MW	1
28	4000600011000	ONE POLE WHITE SWITCH "O-I"	1

NordCap GmbH & Co. KG

Thalendorststraße 15  
D-28307 Bremen

Telefon: +49 421 48557-0  
Telefax: +49 421 488650

E-Mail: [info\(at\)nordcap.de](mailto:info@nordcap.de)

