

Ersatzteilliste-Explosionszeichnung

Gasherd **GH7 / 4FLEB**

[Artikel-Nr.: 406372003]



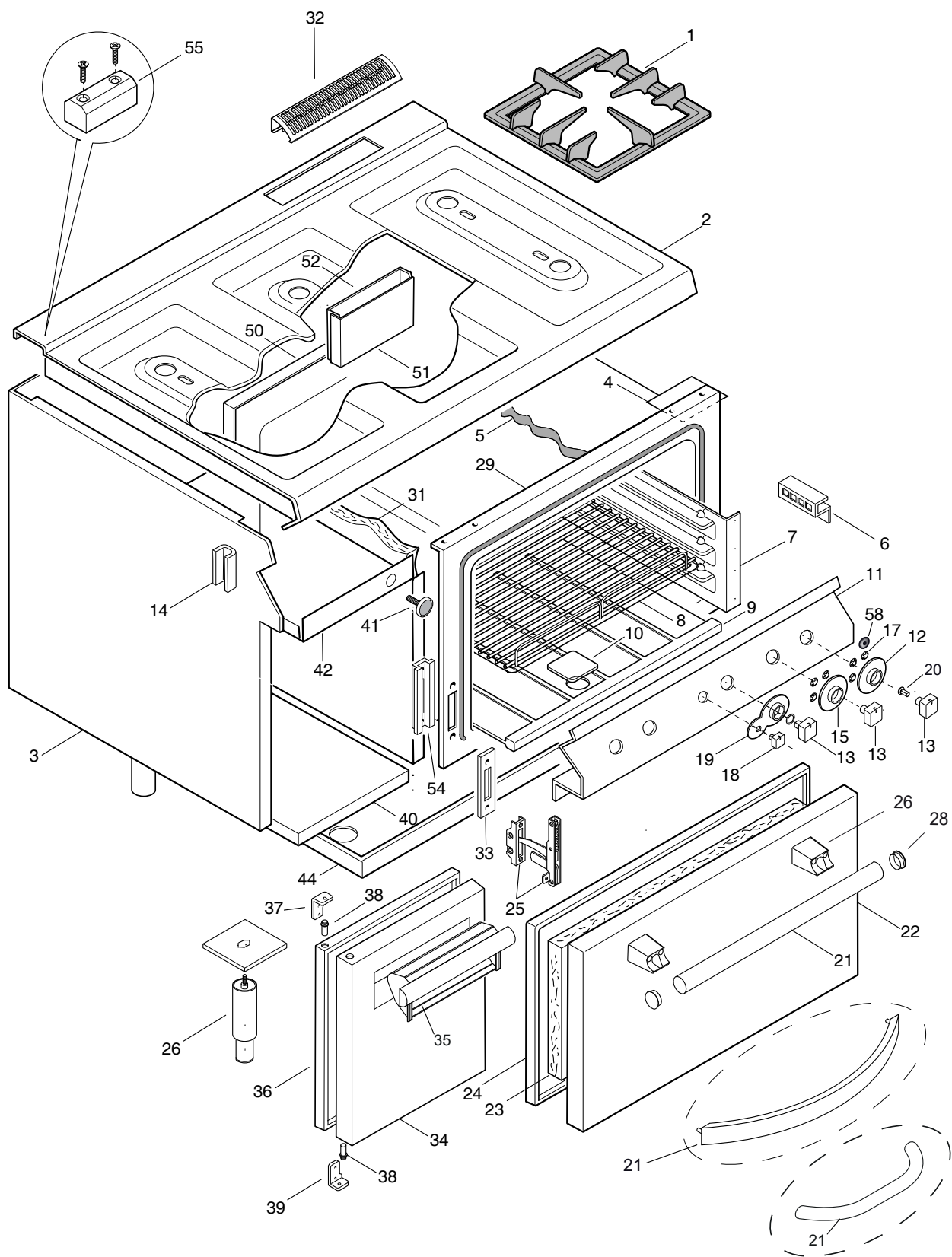
SPARE PARTS CATALOGUE
CATALOGO PARTI DI RICAMBIO

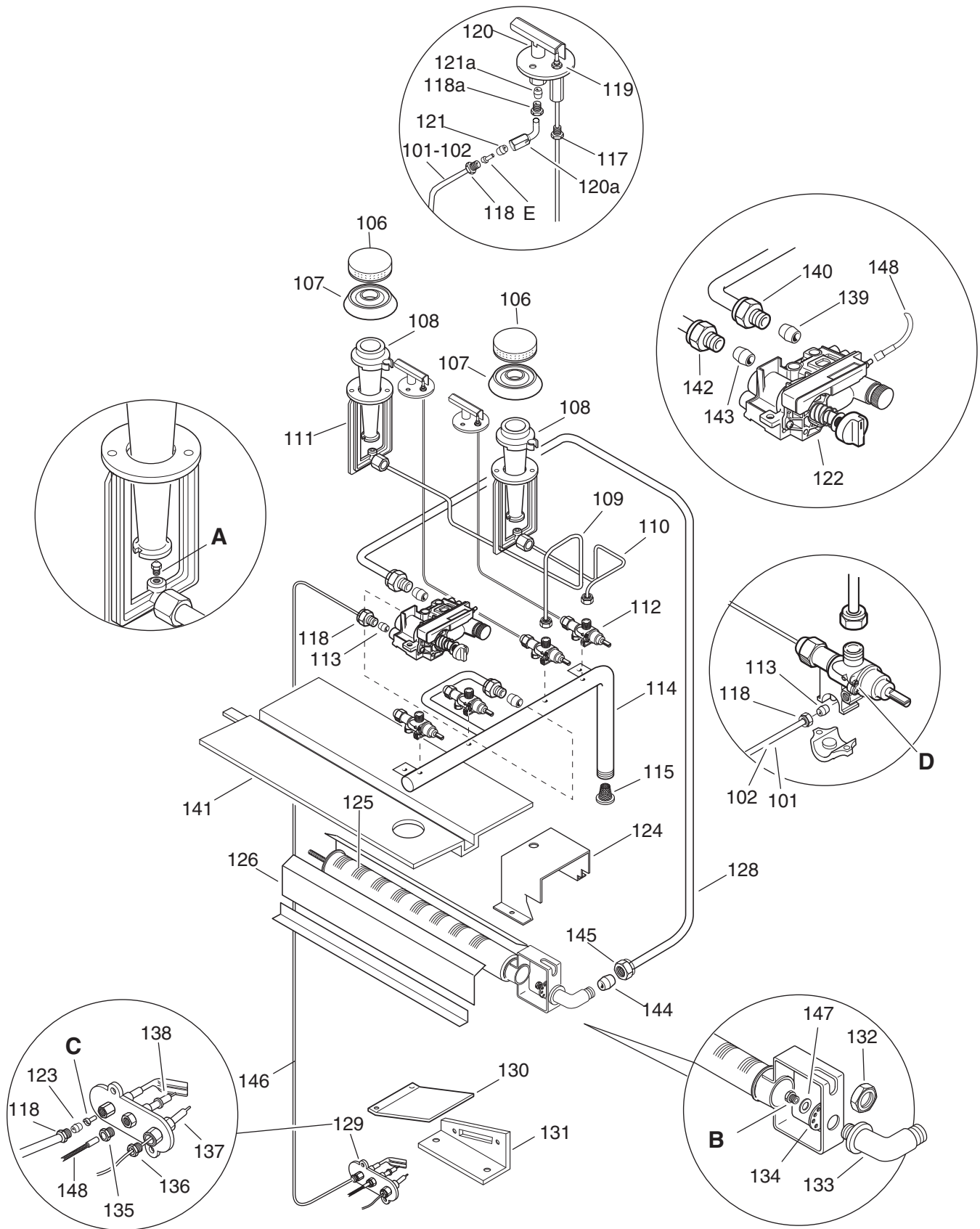
**CUCINE GAS MONOBLOCCO E700XP
GAS RANGES E700XP**

PNC	Model	Ref	Brand	Version	Notes
371002	E7GCGH4CG0	a	ELX	GAS	4-BURNER +GAS OVEN 800 MM
371003	E7GCGH4CE0	c	ELX	GAS	4-BURNER +ELECTRIC OVEN 800 MM
371005	E7GCGL6C10	b	ELX	GAS	6-BURNER +GAS OVEN+CUPB.1200 MM
371006	E7GCGL6C20	d	ELX	GAS	6-BURNER +EL.OVEN+CUPB.1200MM
371125	E7GCGH4CEN	e	ELX	GAS	4-BURNER +ELEC.OVEN 800MM-230V
371168	E7GCGH4CGA	f	ELX	GAS	4-BURNER +GAS OVEN 800 MM-AUS
371169	E7GCGH4CEA	i	ELX	GAS	4-BURNER +ELECTR.OVEN 800MM-AUS
371171	E7GCGL6C1A	g	ELX	GAS	6-BURN.+GAS OVEN+CUPB.1200-AUS
371172	E7GCGL6C2A	h	ELX	GAS	6-BURN.+EL.OVEN+CUPB.1200MM-AUS
371403	E7AAETBBMEI	a	ELX	GAS	4-BURNER GAS RANGE+GAS OVEN 800 MM
372002	Z7GCGH4CG0	j	ZAN	GAS	4-BURNER +GAS OVEN 800 MM
372003	Z7GCGH4CE0	m	ZAN	GAS	4-BURNER +ELECTRIC OVEN 800 MM
372005	Z7GCGL6C10	l	ZAN	GAS	6-BURNER +GAS OVEN+CUPB.1200 MM
372006	Z7GCGL6C20	n	ZAN	GAS	6-BURNER +EL.OVEN+CUPB.1200MM
372125	Z7GCGH4CEN	o	ZAN	GAS	4-BURNER +ELEC.OVEN 800MM-230V
372148	Z7GCGH4CGA	p	ZAN	GAS	4-BURNER +GAS OVEN 800 MM-AUS
372149	Z7GCGH4CEA	r	ZAN	GAS	4-BURNER +ELECTR.OVEN 800MM-AUS
372151	Z7GCGL6C1A	q	ZAN	GAS	6-BURN.+GAS OVEN+CUPB.1200-AUS
372152	Z7GCGL6C2A	s	ZAN	GAS	6-BURN.+EL.OVEN+CUPB.1200MM-AUS
372155	Z7GCGH4CGH	t	ZAN	GAS	4-BURNER +OVEN 800MM-HAKVOORT
372157	Z7GCGL6C1H	u	ZAN	GAS	6-BURN.+OVEN+CUPB.1200MM-HAKV.
373002	A7GCGH4CG0	w	OEM	GAS	4-BURNER +GAS OVEN 800 MM
373003	A7GCGH4CE0	v	OEM	GAS	4-BURNER +ELECTRIC OVEN 800 MM
373005	A7GCGL6C10	z	OEM	GAS	6-BURNER +GAS OVEN+CUPB.1200 MM
373125	A7GCGH4CEN	b1	OEM	GAS	4-BURNER +ELEC.OVEN 800MM-230V
373168	A7GCGH4CGA	c1	OEM	GAS	4-BURNER GAS RANGE+GAS OVEN 800 MM-AUS
373169	A7GCGH4CEA	d1	OEM	GAS	4-BURNER GAS RANGE+ELECTR.OVEN 800MM-AUS
373171	A7GCGL6C1A	e1	OEM	GAS	6-BURN.GAS RANGE+GAS OVEN+CUPB.1200-AUS
373172	A7GCGL6C2A	f1	OEM	GAS	6-BURN.GAS RANGE+EL.OVEN+CUPB.1200MM-AUS
373219	O7GCGH4CG0	g1	OEM	GAS	4-BURNER GAS RANGE + GAS OVEN 800MM
373222	A7GCGH4CGK	a1	KIP	GAS	4-BURNER +GAS OVEN 800 MM

Pag	Index	Indice	Note
2	General components	Componenti struttura	
3	Gas components	Componenti gas	
4	Burner nozzles	Ugelli bruciatori	
5	Electric components	Componenti elettrici	
6-8	Spare parts list	Lista ricambi	

Brand/Marchio: All
Factory code: 9PDX





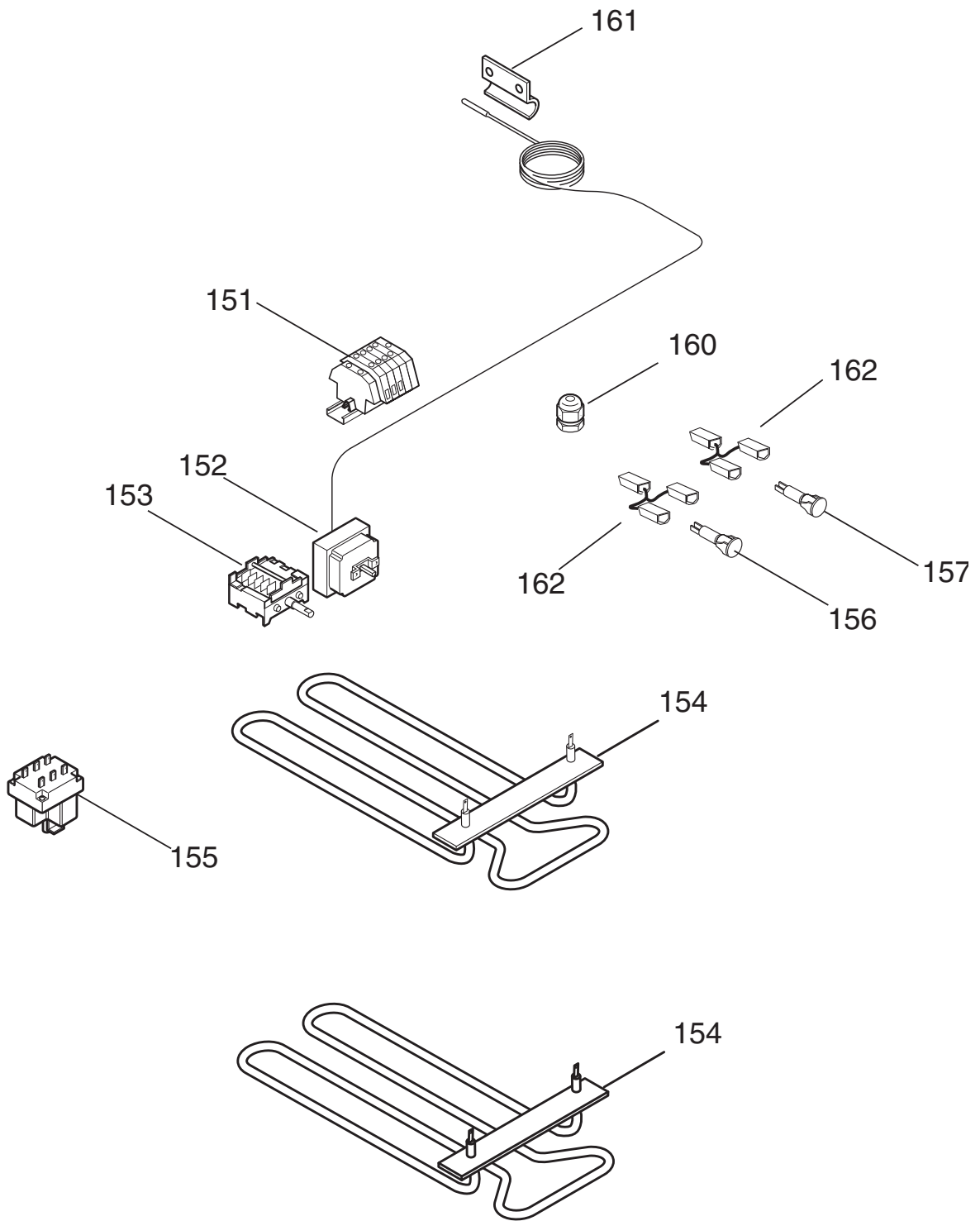
A - Ugello bruciatore / Burner nozzle ø60			
Spare part Code	Ref. / Notes		
0CBAUG	ø1.15	3+3B/P	G30 30mbar
0A2076	ø1.10	3B/P	G30 37mbar
0C2807	ø1.10	3B/P	G30 50mbar
0CBAUK	ø1.80	2H/2E+	G20 20mbar
0C2808	ø1.75	2H	G20 25mbar
0C2345	ø1.65/1.90	2L	G25 25mbar
0C2345	ø1.65/1.90	2K	G25.3 25mbar
0C2805	ø1.75/2.10	2ELL	G25 20mbar
0C2805	ø1.75/2.10	2S	G25.1 25mbar
0CBAUJ	ø3.40	1a	G110 8mbar
0C3658	ø3.30	1b	G120 8mbar

E - Ugello pilota / Pilot nozzle ø60			
Spare part Code	Ref. / Notes		
054593	n°25	3+3B/P	G30 30mbar
054593	n°25	3B/P	G30 37mbar
054593	n°25	3B/P	G30 50mbar
053670	n°41	2H/2E+	G20 20mbar
053670	n°41	2H	G20 25mbar
053670	n°41	2L	G25 25mbar
053670	n°41	2K	G25.3 25mbar
053670	n°41	2ELL	G25 20mbar
053670	n°41	2S	G25.1 25mbar
053669	n°75	1a	G110 8mbar
053669	n°75	1b	G120 8mbar

D - Vite di minimo / Min screw ø60			
Spare part Code	Ref. / Notes		
002911	n°55	3+3B/P	G30 30mbar
002911	n°55	3B/P	G30 37mbar
002925	n°50	3B/P	G30 50mbar
002899	n°80	2H/2E+	G20 20mbar
002899	n°80	2H	G20 25mbar
002899	n°80	2L	G25 25mbar
002899	n°80	2K	G25.3 25mbar
002899	n°80	2ELL	G25 20mbar
002899	n°80	2S	G25.1 25mbar
-	adjust	1a	G110 8mbar
-	adjust	1b	G120 8mbar

B - Ugello bruciatore FORNO / Burner nozzle OVEN			
Spare part Code	Ref. / Notes		
059804	ø1.25	3+3B/P	G30 30mbar
0C2810	ø1.20	3B/P	G30 37mbar
054082	ø1.10	3B/P	G30 50mbar
0C0509	ø1.85	2H/2E+	G20 20mbar
003723	ø1.75	2H	G20 25mbar
0C2811	ø2.00	2L	G25 25mbar
0C0509	ø1.85	2K	G25.3 25mbar
056147	ø2.10	2ELL	G25 20mbar
0C2811	ø2.00	2S	G25.1 25mbar
055133	ø3.80	1a	G110 8mbar
054128	ø3.40	1b	G120 8mbar

C - Ugello pilota FORNO / Pilot nozzle OVEN			
Spare part Code	Ref. / Notes		
059216	n°14	3+3B/P	G30 30mbar
059216	n°14	3B/P	G30 37mbar
059216	n°14	3B/P	G30 50mbar
059215	n°27	2H/2E+	G20 20mbar
059215	n°27	2H	G20 25mbar
059215	n°27	2L	G25 25mbar
059215	n°27	2K	G25.3 25mbar
059215	n°27	2ELL	G25 20mbar
059215	n°27	2S	G25.1 25mbar
059356	n°50	1a	G110 8mbar
059356	n°50	1b	G120 8mbar



**CUCINE GAS MONOBLOCCO E700XP
GAS RANGES E700XP**

<i>Pos</i>	<i>Spare Part Code</i>	<i>Factory Code</i>	<i>Descrizione</i>	<i>Description</i>	<i>Ref./Note</i>
1	0C2526	511821400	GRIGLIA FUOCHI GHISA	CAST IRON GRID	
2	0C7723	87089A900	RIPIANO 800mm	TABLE TOP 800mm	ELX
2	0C7733	87089G800	RIPIANO 800mm	TABLE TOP 800mm	ZAN, OEM
2	0C7724	87089AA00	RIPIANO 1200mm	TABLE TOP 1200mm	ELX
2	0C7734	87089G900	RIPIANO 1200mm	TABLE TOP 1200mm	ZAN, OEM
3	0C8598	85089FF01	RIVESTIMENTO LATERALE	EXTERNAL PANEL 800mm	ELX
3	0CA950	85089FJ01	RIVESTIMENTO LATERALE	EXTERNAL PANEL 800mm	ZAN, OEM
3	*	85089FG01	RIVESTIMENTO LATERALE	EXTERNAL PANEL 1200mm	ELX
3	*	85089FK01	RIVESTIMENTO LATERALE	EXTERNAL PANEL 1200mm	ZAN, OEM
4	0C0182	529850500	PIASTRINA FACCIAATA-FIANCO	PLATE JOINTING	
5	0C2305	560802101	ISOLAMENTO FORNO	INSULATION, OVEN	GAS OVEN
5	0CB489	560851800	ISOLAMENTO FORNO	INSULATION, OVEN	EL. OVEN
6	0C6445	538831100	GRIGLIA PROTEZIONE BULBO	PROTECTION PROBE GRID	GAS OVEN
6	0C6444	538862800	GRIGLIA PROTEZIONE BULBO	PROTECTION PROBE GRID	EL. OVEN
7	0C6446	51489AA00	GUIDA GRIGLIA	GRATE LEADING	
8	025020	330260842	GRIGLIA FORNO	GRATE, OVEN	a,b,c,d,e,j,l,m,n,o,t,u,v, w,z,a1,g1 650x530
8	0C6455	856814402	GRIGLIA FORNO	GRATE, OVEN	f,i,g,h,p,q,r,s, 626x530
9	054114	500847401	SUOLA FORNO	SOLE PLATE	
10	050761	315280702	COPERCHIO FORO PILOTA	PILOT COVER	
11	0C7248	85089B302	CRUSCOTTO 800mm	CONTROL PANEL 800mm	ELX – GAS OVEN
11	0C7249	85089B502	CRUSCOTTO 800mm	CONTROL PANEL 800mm	ELX – EL OVEN
11	0C7283	87089GD00	CRUSCOTTO 800mm	CONTROL PANEL 800mm	ZAN – GAS OVEN
11	0C7286	87089GM00	CRUSCOTTO 800mm	CONTROL PANEL 800mm	ZAN – EL OVEN
11	*	800838800	CRUSCOTTO 800mm	CONTROL PANEL 800mm	OEM – GAS OVEN
11	*	800838900	CRUSCOTTO 800mm	CONTROL PANEL 800mm	OEM – EL OVEN
11	0C7250	85089B702	CRUSCOTTO 1200mm	CONTROL PANEL 1200mm	ELX – GAS OVEN
11	0C7721	85589B502	CRUSCOTTO 1200mm	CONTROL PANEL 1200mm	ELX – EL OVEN
11	0C7221	87089GG01	CRUSCOTTO 1200mm	CONTROL PANEL 1200mm	ZAN – GAS OVEN
11	0C7735	87089GS00	CRUSCOTTO 1200mm	CONTROL PANEL 1200mm	ZAN – EL OVEN
11	*	800838B00	CRUSCOTTO 1200mm	CONTROL PANEL 1200mm	OEM – GAS OVEN
11	*	80083AM00	CRUSCOTTO 1200mm	CONTROL PANEL 1200mm	OEM – EL OVEN
12	0C6671	548876S01	GHIERA MANOPOLA FUOCHI ANT.	KNOB RING, FRONT BURNER	ELX
12	0C7243	548879F00	GHIERA MANOPOLA FUOCHI ANT.	KNOB RING, FRONT BURNER	ZAN, OEM
13	0C8645	54887AV00	ASSIEME MANOPOLA "UNIVERSALE"	KNOB ASSEMBLY (KNOB+ADAP)	ELX
13*	0C8715	511851100	SOLO MANOPOLA "UNIVERSALE"	ONLY KNOB	ELX
13	0C7425	548878101	MANOPOLA RUBINETTO GAS	KNOB, GAS TAP	ZAN
13	0C1007	548865600	MANOPOLA RUBINETTO GAS	KNOB, GAS TAP	OEM
13	0C8700	548877W00	MANOPOLA COMMUTATORE	KNOB, REGULATOR	ELX ELECTRIC
13	0C7232	548878201	MANOPOLA COMMUTATORE	KNOB, REGULATOR	ZAN ELECTRIC
13	0A5621	548865500	MANOPOLA COMMUTATORE	KNOB, REGULATOR	OEM ELECTRIC
13	0C6746	548876W00	MANOPOLA COMMUTATORE	KNOB, REGULATOR	KIP
14	0C0156	527850500	PIASTRA FISSAGGIO FIANCHI	SIDE PANELS JOINTING PLATE	
15	0C7332	548876T01	GHIERA MANOPOLA FUOCHI POS.	KNOB RING, REAR BURNER	ELX
15	0C7244	548879G00	GHIERA MANOPOLA FUOCHI POS.	KNOB RING, REAR BURNER	ZAN, OEM
16	0C7179	548877Z01	MANOPOLA TERMOSTATO VALVOLA	KNOB, VALVE THERMOSTAT	ZAN – GAS OVEN
16	0C5252	548872700	MANOPOLA TERMOSTATO VALVOLA	KNOB, VALVE THERMOSTAT	OEM – GAS OVEN

CUCINE GAS MONOBLOCCO E700XP**GAS RANGES E700XP**

<i>Pos</i>	<i>Spare Part Code</i>	<i>Factory Code</i>	<i>Descrizione</i>	<i>Description</i>	<i>Ref./Note</i>
17	069567	218912211	MOLLETTA	SPRING	
18	0C2021	548863303	MANOPOLA ACCENDITORE VALVOLA	KNOB, GAS VALVE IGNITER	ELX – GAS OVEN
18	0C7181	548878303	MANOPOLA ACCENDITORE VALVOLA	KNOB, GAS VALVE IGNITER	ZAN – GAS OVEN
18	0C0190	548856603	MANOPOLA ACCENDITORE VALVOLA	KNOB, GAS VALVE IGNITER	OEM – GAS OVEN
18	0C6745	548876U00	MANOPOLA ACCENDITORE VALVOLA	KNOB, GAS VALVE IGNITER	KIP – GAS OVEN
19	0C7342	548877401	GHIERA VALVOLA FORNO	KNOB RING, GAS VALVE OVEN	ELX – GAS OVEN
19	0C7241	548879700	GHIERA VALVOLA FORNO	KNOB RING, GAS VALVE OVEN	ZAN, OEM – GAS OVEN
19	0C7231	548877J00	GHIERA COMMUTATORE	KNOB RING	ELX– EL OVEN
19	0C7343	548877S01	GHIERA TERMOSTATO	KNOB RING	ELX – EL OVEN
19	0C7247	548879U00	GHIERA COMMUTATORE	KNOB RING	ZAN, OEM – EL OVEN
19	0C7242	548879D00	GHIERA TERMOSTATO	KNOB RING	ZAN, OEM – EL OVEN
20	0C8714	54887AP00	SOLO ADATTATORE	ONLY ADAPTOR	ELX
21	0C7274	51589A500	MANIGLIA FORNO	HANDLE, OVEN	ELX
21	0C7226	51589A601	MANIGLIA FORNO	HANDLE, OVEN	ZAN
21	0C7946	83089FY00	MANIGLIA FORNO	HANDLE, OVEN	OEM
22	0C7272	50389G501	PORTA FORNO	OVEN DOOR	
23	0C0197	560839601	ISOLAMENTO PORTA FORNO	INSULATION OVEN DOOR	
24	0C7273	50389G601	CONTROPORTA FORNO	INNER DOOR	
*	0C7271	85589A302	ASSIEME PORTA	COMPLETE DOOR	ELX
*	0C7276	85589CH02	ASSIEME PORTA	COMPLETE DOOR	ZAN
*	0C7278	85589CQ02	ASSIEME PORTA	COMPLETE DOOR	OEM
25	0C0203	835848100	CERNIERA PORTA	HINGE	
26	0C0204	835856900	PIEDE	FOOT	
27	53816	543821000	GUARNIZIONE MANOPOLA	KNOB GASKET	
28	0C6823	530R01802	TAPPO MANIGLIA	STOPPER FOR HANDLE	ELX
29	0C0218	870838210	FACCIATA FORNO 800mm	FRONT OVEN 800mm	
29	0C0219	870838309	FACCIATA FORNO 1200mm	FRONT OVEN 1200mm	
31	0C2306	560801904	ISOLANTE DX E SX FORNO	OVEN INSULATION	
32	0C7705	50389LM00	GRIGLIA CAMINO	GRATE, CHIMNEY	
33	052725	205075423	COPRICERNIERA	HINGE COVER	
34	0C7157	50389G300	PORTA VANO	DOOR	ELX, ZAN
34	*	50389MB01	PORTA VANO	DOOR	OEM
35	0C8769	54887AH00	MANIGLIA VANO	HANDLE	ELX
35	0C8190	54887A802	MANIGLIA VANO	HANDLE	ZAN
35	0A5021	854864203	MANIGLIA VANO	HANDLE	OEM
36	0C7158	50489CQ00	CONTROPORTA	INNER DOOR	
*	0C7163	85589CT03	ASSIEME PORTA VANO	COMPLETE DOOR	ELX
*	0C7165	85589CU05	ASSIEME PORTA VANO	COMPLETE DOOR	ZAN
*	0C7627	85589CV02	ASSIEME PORTA VANO	COMPLETE DOOR	OEM
37	0C0138	516860801	CERNIERA	HINGE	
38	0C1280	518803803	PERNO PORTA	PIVOT	
39	0C0139	516860901	CERNIERA	HINGE	
40	*	522891100	FONDO ARMADIETTO	BOTTOM PANEL CUPBOARD	
41	0C0201	830898200	MAGNETE	MAGNET	

42	*	522891203	CELLA ARMADIETTO	TOP PANEL CUPBOARD	
CUCINE GAS MONOBLOCCO E700XP					
GAS RANGES E700XP					
<i>Pos</i>	<i>Spare Part Code</i>	<i>Factory Code</i>	<i>Descrizione</i>	<i>Description</i>	<i>Ref./Note</i>
44	*	5038A2301	FONDO CUCINA GAS 800mm	BOTTOM PANEL 800mm	GAS OVEN
44	*	5038A2501	FONDO CUCINA GAS 1200mm	BOTTOM PANEL 1200mm	GAS OVEN
44	*	5038A2601	FONDO CUCINA GAS 1M	BOTTOM PANEL 1000mm	EL. OVEN
44	*	5038A2701	FONDO CUCINA GAS 1200mm	BOTTOM PANEL 1200mm	EL. OVEN
47	0C6891	530R01702	SUPPORTO MANIGLIA	HANDLE SUPPORT	ELX
49	*	522882600	INVOLUCRO FORNO GAS	OVEN SHELL	
50	*	522882700	SCHIENALE FORNO GAS	REAR SIDE PANEL OVEN	
51	*	533825300	ANTERIORE CAMINO FORNO	FRONT CHIMNEY OVEN	
52	*	533825400	POST. CAMINO FORNO	REAR CHIMNEY OVEN	
54	0C0165	529835403	SUPPORTO CERNIERA	HOLDER FOR HINGE	
55	0C0137	516860700	PIASTRA GIUNZIONE POST.	JOINTING REAR PLATE	
58	0C6171	541813800	RONDELLA SILICONE	SILICONE WASHER	
101	0C4192	544821000	CONDUTTURA ANTERIORE PILOTA	FRONT PILOT PIPE	
102	0C4193	544820900	CONDUTTURA POSTERIORE PILOTA	REAR PILOT PIPE	
106	0C0129	510819501	SPARTIFIAMMA DIAM.60	FLAME SPREADER DIA.60	
107	0C0127	510819303	BRUCIATORE DIAM.60	BURNER DIA.60	
108	0C0125	510819103	VENTURI BRUCIATORE DIAM.60	VENTURI, BURNER DIA.60	
109	0C2800	835868200	CONDUTTURA POSTERIORE FUOCHI	REAR BURNER PIPE	
110	0C2799	835868100	CONDUTTURA ANTERIORE FUOCHI	FRONTAL BURNER PIPE	
111	0C0124	510819003	SUPPORTO VENTURI	HOLDER FOR VENTURI	
112	0C0205	835857201	RUBINETTO GAS	GAS TAP	
113	52127	215199700	BICONO	DOUBLE CONE	
114	0C0211	853856402	RIBALTA 1200mm	MANIFOLD 1200mm	GAS OVEN
114	0C0210	853856303	RIBALTA 800mm	MANIFOLD 800mm	GAS OVEN
114	0C2951	853897300	RIBALTA 1200mm	MANIFOLD 1200mm	EL. OVEN
114	0C0268	853856604	RIBALTA 800mm	MANIFOLD 800mm	EL. OVEN up to 404
114	0CA612	853856605	RIBALTA 800mm	MANIFOLD 800mm	EL. OVEN from 405
115	0C0140	516863900	FILTRO GAS	FILTER	
116	59293	543815000	GUARNIZIONE OR	O-RING GASKET	
117	0C0121	214162000	RACCORDO X TERMOCOPPIA	NUT, THERMOCOUPLE	
118	52125	214164400	RACCORDO	NUT	
118a	0C3646	516887500	RACCORDO	CONNECTION	
119	0C0202	831800500	TERMOCOPPIA	THERMOCOUPLE	
120	0C3644	806854300	PILOTA FUOCHI	PILOT BURNER	
120a	0C3643	510823900	SUPPORTO CURVO PER UGELLO PILOTA	CURVED JET HOLDER	
121	53665	515827401	BICONO PER PILOTA D.4	DOUBLE CONE D.4 FOR PILOT	
121a	0C3645	516888200	BICONO PER PILOTA D.4	DOUBLE CONE D.4 FOR PILOT	
122	0C5247	835859301	VALVOLA GAS	GAS VALVE	
122	0C5250	835865601	VALVOLA GAS	GAS VALVE	AUS
123	59161	517808700	BICONO	DOUBLE CONE	
124	0C0170	529836101	CHIUSURA PER BRUCIATORE	OVEN BURNER TIGHTENER	
125	0C3584	831823400	BRUCIATORE FORNO	OVEN BURNER	
126	0C2823	533814300	CONVOGLIATORE	CONVEYOR	
128	0C0208	835857602	CONDUTTURA FORNO	OVEN PIPE	

129	0C7102	830884101	ASSIEME PILOTA	PILOT ASSEMBLY	
-----	--------	-----------	----------------	----------------	--

CUCINE GAS MONOBLOCCO E700XP
GAS RANGES E700XP

<i>Pos</i>	<i>Spare Part Code</i>	<i>Factory Code</i>	<i>Descrizione</i>	<i>Description</i>	<i>Ref./Note</i>
130	0C0172	529836300	PROTEZIONE PER PILOTA	PILOT PROTECTION	
131	0C0171	529836201	SQUADRETTA PER PILOTA FORNO	PILOT HOLDER	
132	20997	214105101	CONTRODADO PORTAUGELLO	LOCK NUT	
133	59250	511805401	PORTAUGELLO	INJECTOR HOLDER	
134	54085	830827102	AREATORE	AERATOR	
135	57960	214164101	RACCORDO X ELETTRODO	CONNECTION, ELECTRODE	
136	0C0121	214162000	RACC.FISSAGGIO TERMOCOPPIA	CONNECTION, THERMOCOUPLE	
137	20094	830852501	TERMOCOPPIA	THERMOCOUPLE	
138	59380	830863300	ELETTRODO DI ACCENSIONE	ELECTRODE	
139	0C0150	516869600	BICONO	DOUBLE CONE	
140	0C0149	516869500	RACCORDO 3/8"	CONNECTION 3/8"	
141	0C3472	533819600	PARAFIAMMA	FIREPROOF	
142	51950	514862501	RACCORDO 3/8"	CONNECTION 3/8"	
143	50682	215170716	OGIVA	RING	
144	60325	215073101	BICONO	DOUBLE CONE	
145	0A2125	214108111	DADO	NUT	
146	0C0153	544820801	CONDUTTURA PILOTA FORNO	OVEN PILOT PIPE	
147	054029	506833401	GUARNIZIONE PER UGELLO	GASKET, NOZZLE	
148	0C7190	636800600	CAVO ACCENDITORE	IGNITION CABLE	LENGTH 1550 MM, 4 Ø
151	058875	639805201	MORSETTIERA	MAIN TERMINAL BLOCK	
152	059235	646805302	TERMOSTATO	THERMOSTAT	
153	0C0320	641803700	COMMUTATORE	SWITCH	
154	0C2813	617832400	RESISTENZA FORNO 1500W 400V	HEATING ELEMENT 1500W 400V	400 V
154	0C3638	617832500	RESISTENZA FORNO 1500W 230V	HEATING ELEMENT 1500W 230V	230 V
155	004600	646808600	LIMITATOR DI TEMPERATURA	SAFETY THERMOSTAT	
156	005011	876800102	LAMPADA GIALLA TONDA	YELLOW LAMP	
157	005010	876800002	LAMPADE VERDE TONDA	GREEN LAMP	
160	0C3550	246522200	PASSACAVO	CORE HITCH	
161			PROFILO ARRESTO BULBO	PLATE FOR BULB	
162	0CA793	63889BD00	DROPPING TENSION REGULATOR	RESISTENZA CADUTA TENSIONE	c,d,e,i,h,m,n,o,r,s,v, d1,f1

Finanzen/Service

28307 Bremen
Thalenhorststraße 15
Tel.+49 421 48557-0
Fax+49 421 488650
bremen@nordcap.de

Vertrieb Ost

12681 Berlin
Wolfener Straße 32/34, Haus K
Tel.+49 30 936684-0
Fax+49 30 936684-44
berlin@nordcap.de

Vertrieb West

40699 Erkrath
Max-Planck-Straße 30
Tel.+49 211 540054-0
Fax+49 211 540054-54
erkrath@nordcap.de

Vertrieb Nord

21079 Hamburg
Großmoorbogen 5
Tel.+49 40 766183-0
Fax+49 40 770799
hamburg@nordcap.de

Vertrieb Süd

55218 Ingelheim
Hermann-Bopp-Straße 4
Tel.+49 6132 7101-0
Fax+49 6132 7101-20
ingelheim@nordcap.de



www.nordcap.de