

# Ersatzteilliste-Explosionszeichnung

## Heißluftdämpfer **MAGISTAR DS**

### **MAGISTAR Combi DS 20 x GN1/1-E**

[Art. 406218824]



## SKYLINE ELECTRIC OVEN FORNO ELETTRICO SKYLINE

| Type Reference | Ref | Page | Description   | note |
|----------------|-----|------|---|------|
| COE61C20       | a   |      | 6 grids GN 1/1 - touch convect - double glass - Standard          |      |
| COE61C2K       | b   |      | 6 grids GN 1/1 - touch convect - double glass - Smoker/Aromatizer |      |
| COE61C30       | c   |      | 6 grids GN 1/1 - touch convect - triple glass - Standard          |      |
| COE61D20       | d   |      | 6 grids GN 1/1 - digital steam - double glass - Standard          |      |
| COE61T20       | e   |      | 6 grids GN 1/1 - touch steam - double glass - Standard            |      |
| COE61T2K       | f   |      | 6 grids GN 1/1 - touch steam - double glass - Smoker/Aromatizer   |      |
| COE61T30       | g   |      | 6 grids GN 1/1 - touch steam - triple glass - Standard            |      |
| COE61V20       | h   |      | 6 grids GN 1/1 - digital convect - double glass - Standard        |      |
| COE62C20       | i   |      | 6 grids GN 2/1 - touch convect - double glass - Standard          |      |
| COE62C2K       | j   |      | 6 grids GN 2/1 - touch convect - double glass - Smoker/Aromatizer |      |
| COE62C30       | k   |      | 6 grids GN 2/1 - touch convect - triple glass - Standard          |      |
| COE62D20       | l   |      | 6 grids GN 2/1 - digital steam - double glass - Standard          |      |
| COE62T20       | m   |      | 6 grids GN 2/1 - touch steam - double glass - Standard            |      |
| COE62T2K       | n   |      | 6 grids GN 2/1 - touch steam - double glass - Smoker/Aromatizer   |      |
| COE62T30       | o   |      | 6 grids GN 2/1 - touch steam - triple glass - Standard            |      |
| COE62V20       | p   |      | 6 grids GN 2/1 - digital convect - double glass - Standard        |      |
| COE11C20       | q   |      | 10 grids GN 1/1 - touch convect - double glass - Standard         |      |
| COE11C30       | r   |      | 10 grids GN 1/1 - touch convect - triple glass - Standard         |      |
| COE11D20       | s   |      | 10 grids GN 1/1 - digital steam - double glass - Standard         |      |
| COE11T20       | t   |      | 10 grids GN 1/1 - touch steam - double glass - Standard           |      |
| COE11T30       | u   |      | 10 grids GN 1/1 - touch steam - triple glass - Standard           |      |
| COE11V20       | v   |      | 10 grids GN 1/1 - digital convect - double glass - Standard       |      |
| COE12C20       | w   |      | 10 grids GN 2/1 - touch convect - double glass - Standard         |      |
| COE12C30       | x   |      | 10 grids GN 2/1 - touch convect - triple glass - Standard         |      |
| COE12D20       | y   |      | 10 grids GN 2/1 - digital steam - double glass - Standard         |      |
| COE12T20       | z   |      | 10 grids GN 2/1 - touch steam - double glass - Standard           |      |
| COE12T30       | a1  |      | 10 grids GN 2/1 - touch steam - triple glass - Standard           |      |
| COE12V20       | b1  |      | 10 grids GN 2/1 - digital convect - double glass - Standard       |      |

### Index

Description Type Reference/Descrizione Type Reference  
Oven cabinet and door/Cella forno e porta  
Electrical components/Componenti elettrici  
Water system/Impianto idraulico  
Boiler  
Spare parts list / Lista ricambi  
Maintenance kit / Kit di manutenzione

### Page

2  
3  
4  
5  
6  
7-17  
18-21

**Bold=last change / Grassetto =ultima modifica**

V = Vital spare part/Ricambio vitale  
W&T = Wear&Tear and Consumable/  
Ricambio usurabile e consumabile  
S = Suggested/Ricambio suggerito

Rev. 5

|                                       |                                |         |                         |
|---------------------------------------|--------------------------------|---------|-------------------------|
| From Ser. Nr....<br>Up to Ser. Nr.... | Ed. 2019-03<br>Updated 2020-07 | Page: 1 | <b>Doc No:595403H00</b> |
|---------------------------------------|--------------------------------|---------|-------------------------|

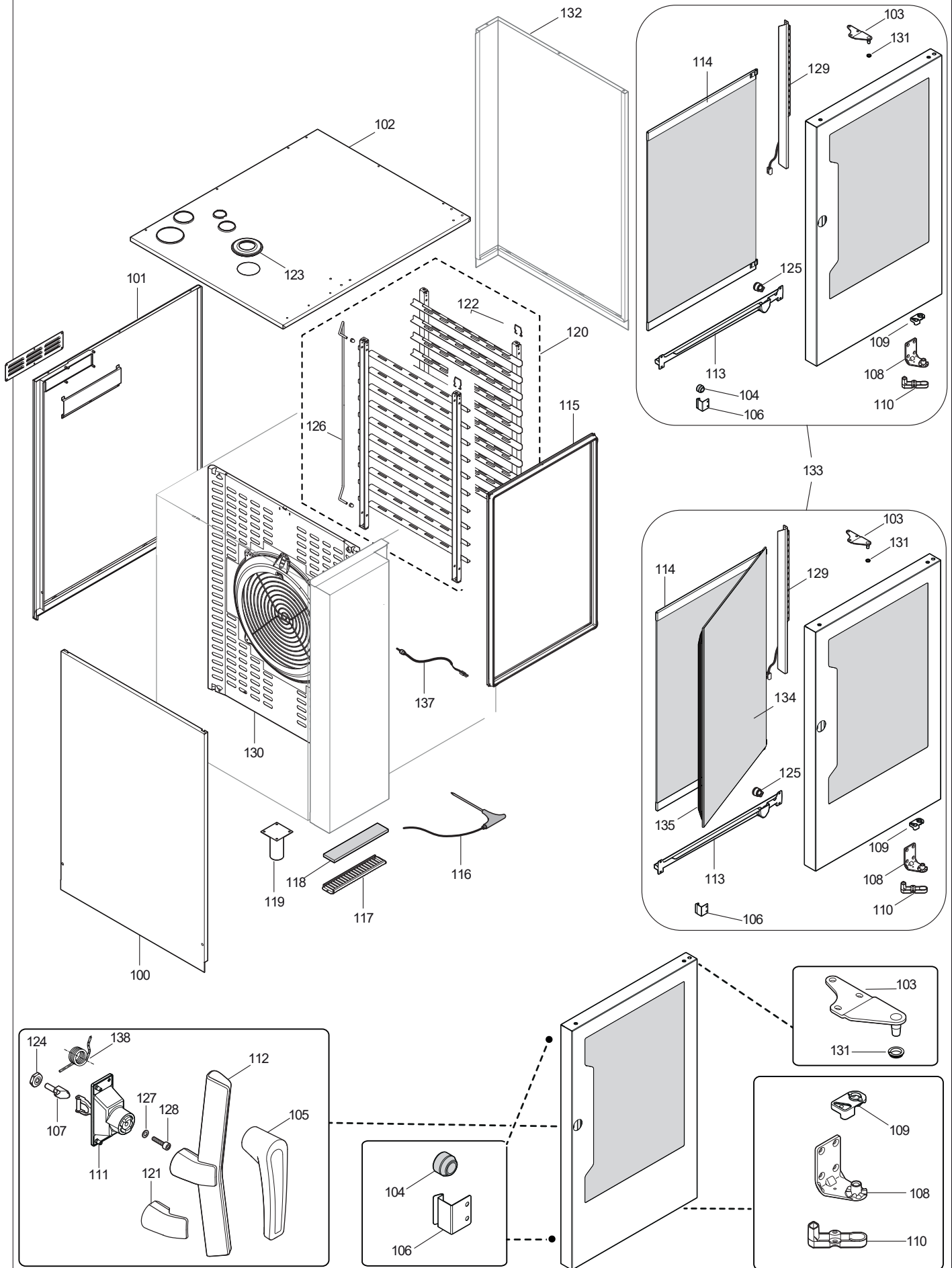
COE \* \* \*

K = Smoker/Aromatizer  
0 = Standard

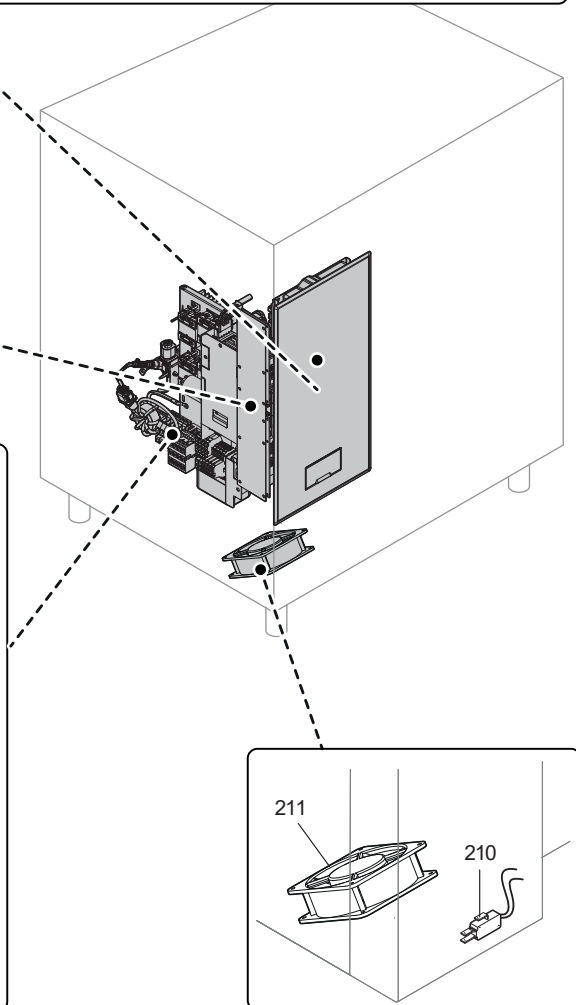
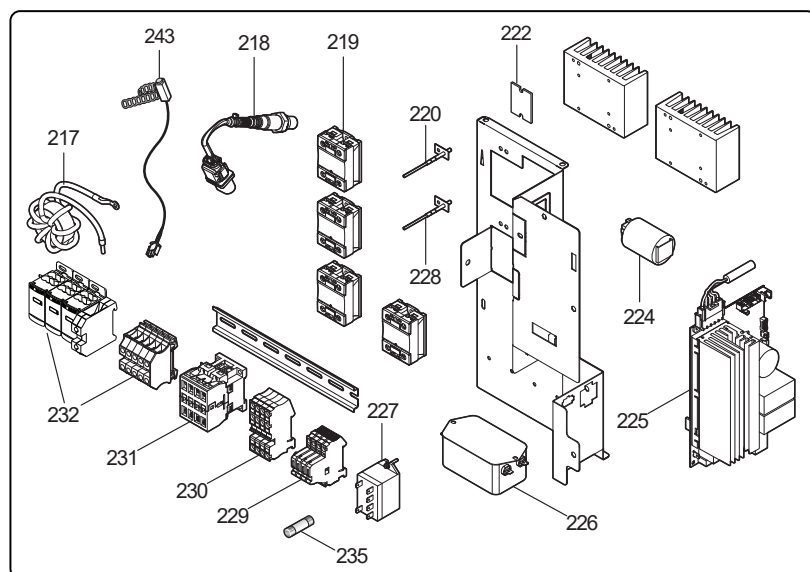
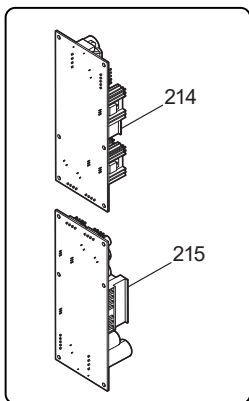
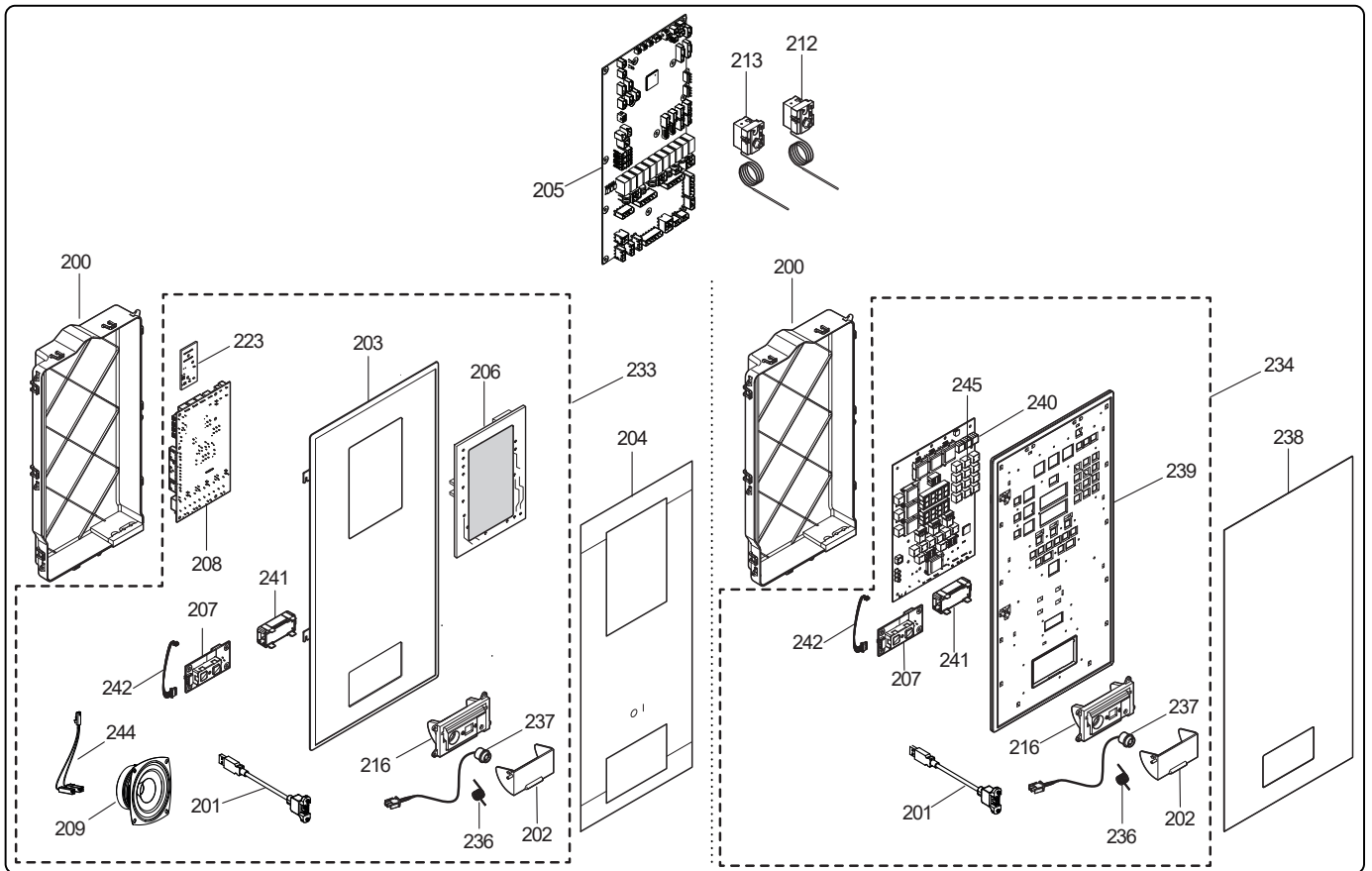
T2 = touch steam - double glass  
T3 = touch steam - triple glass  
C2 = touch convect – double glass  
C3 = touch convect – triple glass  
D2 = digital steam – double glass  
D3 = digital steam – triple glass  
V2 = digital convect – double glass  
V3 = digital convect – triple glass

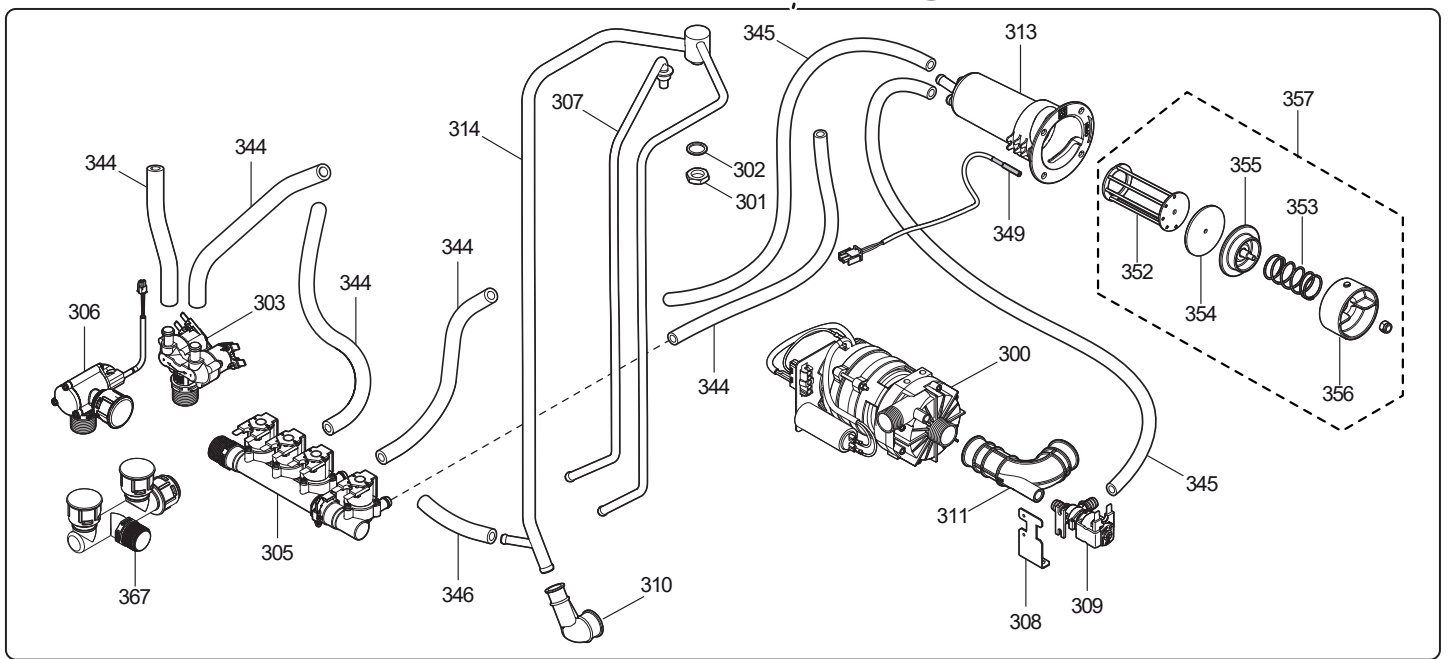
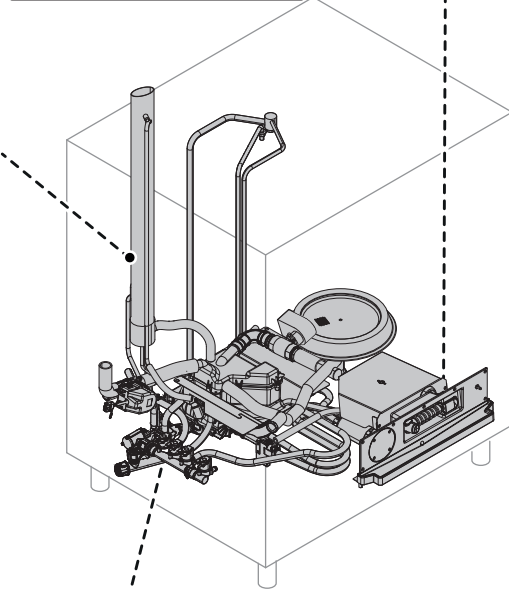
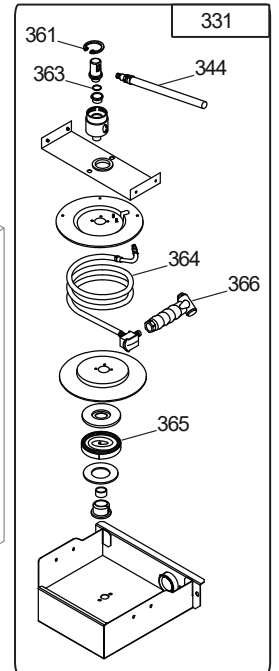
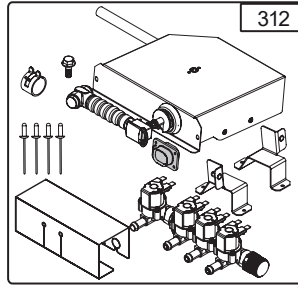
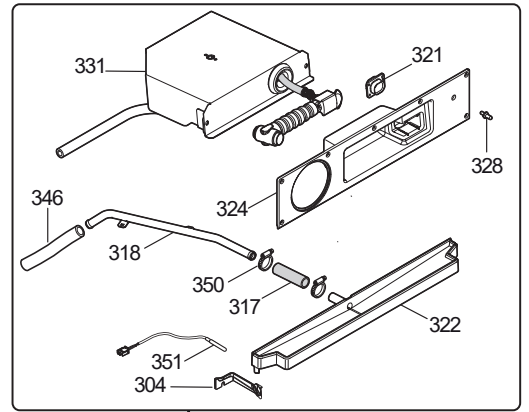
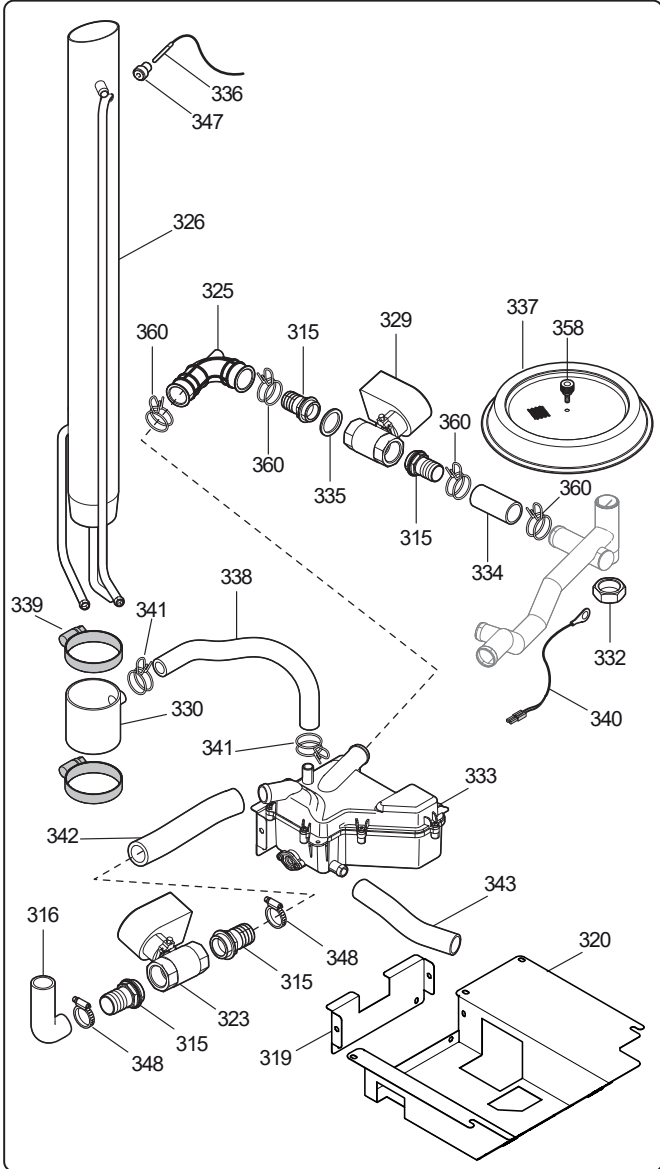
61 = 6 grids GN1/1  
62 = 6 grids GN2/1  
11 = 10 grids GN1/1  
12 = 10 grids GN2/1  
21 = 20 grids GN1/1  
22 = 20 grids G21/1

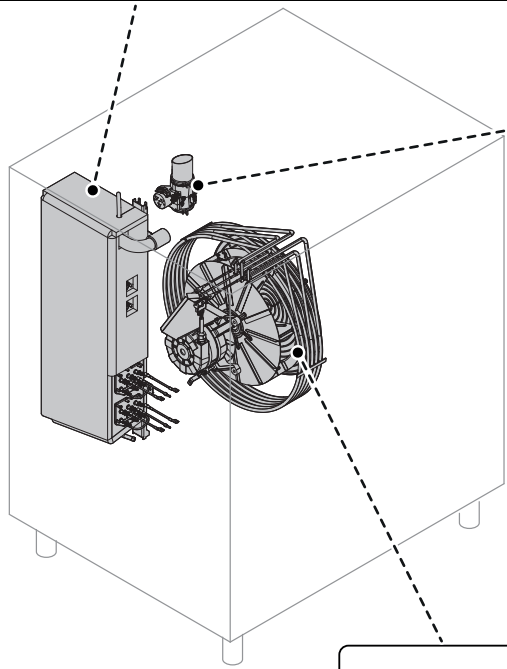
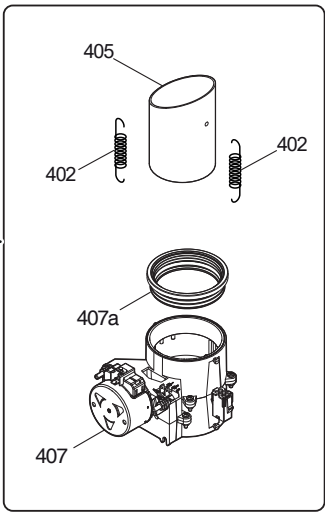
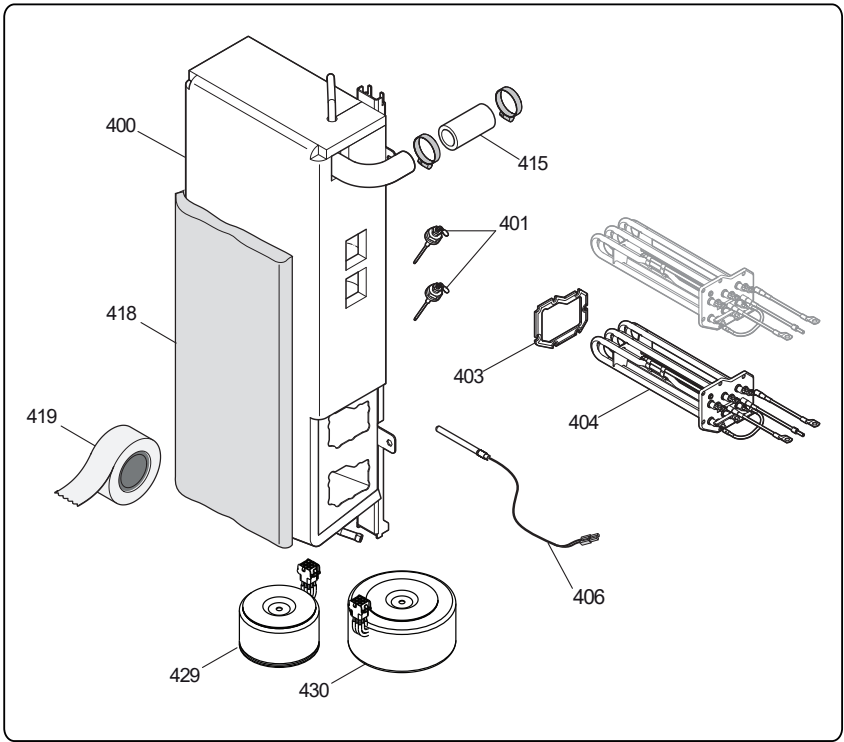
COE = Combi Oven Electric



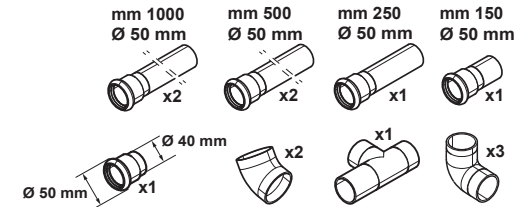




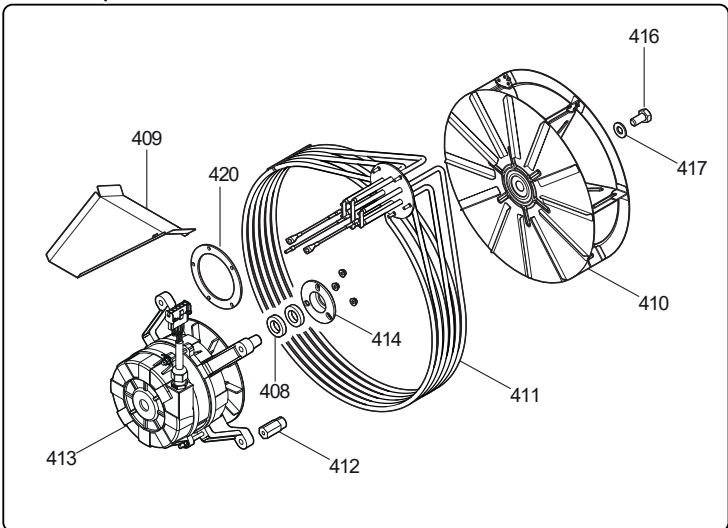
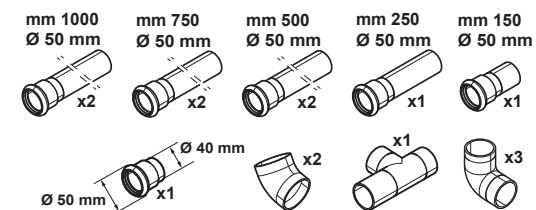




**432 PLASTIC PIPES**



**431 STEEL PIPES**



| SKYLINE    |                 |                  |  |                               |          |          |   |  |
|------------|-----------------|------------------|--|-------------------------------|----------|----------|---|--|
| Pos        | Spare part Code | Factory code     | Descrizione                            | Description                   | V        | W & T    | S | Ref./Notes                                     |
| 100        | OCK103          | 503404P02        | FIANCO SINISTRO 6 1/1                  | LEFT PANEL 6 1/1              |          |          |   | a b c d e f g h<br>up to 2020/12               |
| <b>100</b> | <b>OCK591</b>   | <b>503404P03</b> | <b>FIANCO SINISTRO 6 1/1</b>           | <b>LEFT PANEL 6 1/1</b>       |          |          |   | <b>a b c d e f g h</b><br><b>from 2020/13</b>  |
| 100        | OCK102          | 503404Q02        | FIANCO SINISTRO 10 1/1                 | LEFT PANEL 10 1/1             |          |          |   | q r s t u v up to<br>2020/12                   |
| <b>100</b> | <b>OCK594</b>   | <b>503404Q03</b> | <b>FIANCO SINISTRO 10 1/1</b>          | <b>LEFT PANEL 10 1/1</b>      |          |          |   | <b>q r s t u v</b><br><b>from 2020/13</b>      |
| 100        | OCK104          | 503405A03        | FIANCO SINISTRO 6 2/1                  | LEFT PANEL 6 2/1              |          |          |   | i j k l m n o p                                |
| 100        | OCK227          | 503405B03        | FIANCO SINISTRO 10 2/1                 | LEFT PANEL 10 2/1             |          |          |   | w x y z a1 b1                                  |
| 101        | OCK293          | 503404R03        | SCHIENALE FORNO 6 1/1                  | BACK PANEL 6 1/1              |          |          |   | a b c d e f g h<br>up to 2020/12               |
| <b>101</b> | <b>OCK595</b>   | <b>503404R04</b> | <b>SCHIENALE FORNO 6 1/1</b>           | <b>BACK PANEL 6 1/1</b>       |          |          |   | <b>a b c d e f g h</b><br><b>from 2020/13</b>  |
| <b>101</b> |                 | <b>50340AR00</b> | <b>SCHIENALE FORNO 6 1/1</b>           | <b>BACK PANEL 6 1/1</b>       |          |          |   | <b>a b c d e f g h</b><br><b>Marine</b>        |
| 101        | OCK294          | 503404S03        | SCHIENALE FORNO 10 1/1                 | BACK PANEL 10 1/1             |          |          |   | q r s t u v up to<br>2020/12                   |
| <b>101</b> | <b>OCK596</b>   | <b>503404S04</b> | <b>SCHIENALE FORNO 10 1/1</b>          | <b>BACK PANEL 10 1/1</b>      |          |          |   | <b>q r s t u v</b><br><b>from 2020/13</b>      |
| <b>101</b> |                 | <b>50340AS00</b> | <b>SCHIENALE FORNO 10 1/1</b>          | <b>BACK PANEL 10 1/1</b>      |          |          |   | <b>q r s t u v</b><br><b>Marine</b>            |
| 101        | OCK295          | 503405604        | SCHIENALE FORNO 6 2/1                  | BACK PANEL 6 2/1              |          |          |   | i j k l m n o p                                |
| <b>101</b> |                 | <b>50340AT00</b> | <b>SCHIENALE FORNO 6 2/1</b>           | <b>BACK PANEL 6 2/1</b>       |          |          |   | <b>i j k l m n o p</b><br><b>Marine</b>        |
| 101        | OCK296          | 503405704        | SCHIENALE FORNO 10 2/1                 | BACK PANEL 10 2/1             |          |          |   | w x y z a1 b1                                  |
| <b>101</b> |                 | <b>50340AU00</b> | <b>SCHIENALE FORNO 10 2/1</b>          | <b>BACK PANEL 10 2/1</b>      |          |          |   | <b>w x y z a1 b1</b><br><b>Marine</b>          |
| 102        | OCK230          | 503404C03        | COPERCHIO FORNO 6-10 1/1               | TOP PANEL 6-10 1/1            |          |          |   | a b c d e f g h<br>q r s t u v                 |
| 102        | OCK229          | 503405D02        | COPERCHIO FORNO 6-10 2/1               | TOP PANEL 6-10 2/1            |          |          |   | i j k l m n o p w<br>x y z a1 b1               |
| 103        | OC4234          | 806847803        | CERNIERA SUPERIORE                     | UPPER HINGE                   | X        | X        |   | RIGHT<br>HINGED                                |
| 103        | *               | 80540DX00        | CERNIERA SUPERIORE PORTA REV           | UPPER HINGE FOR REVERSE DOOR  | X        | X        |   | LEFT HINGED                                    |
| 104        | OCK071          | 543401S02        | AMMORTIZZATORE VETRO INTERNO           | INNER GLASS DUMPER            |          | X        |   | a b d e f h i j l<br>m n p q s t v w<br>y z b1 |
| 105        | OCK319          | 830409802        | MANIGLIA PORTA                         | DOOR HANDLE                   | X        |          |   | ZANUSSI  |
| 106        | OCK148          | 50440CX02        | MOLLA FERMAVETRO                       | INNER GLASS STOPPER           |          | X        |   |  |
| 107        | OC4092          | 806859903        | NASELLO CHIUSURA 1-STEP                | SINGLE STEP DOOR LATCH        | X        | X        |   |  |
| <b>107</b> | <b>OC6010</b>   | <b>806859101</b> | <b>NASELLO CHIUSURA 2-STEP</b>         | <b>DOUBLE STEP DOOR LATCH</b> | <b>X</b> | <b>X</b> |   | <b>MARINE</b>                                  |
| <b>108</b> | <b>OCK086</b>   | <b>510400102</b> | <b>CERNIERA INFERIORE DESTRA PORTA</b> | <b>RIGHT LOWER HINGE</b>      | <b>X</b> | <b>X</b> |   | <b>RIGHT<br/>HINGED</b>                        |
| 108        | *               | 800401Y00        | CERNIERA INFERIORE PORTA SINISTRA      | LOWER HINGE FOR REVERSE DOOR  | X        | X        |   | LEFT HINGED                                    |
| 109        | OCK158          | 511400N01        | POSIZIONAT. INF.CON FERMO-PORTA        | DOOR POSITIONER WITH STOPPER  |          | X        |   | RIGHT<br>HINGED                                |
| 109        | OCK354          | 511400R00        | POSIZIONAT. INF.CON FERMO-PORTA        | DOOR POSITIONER WITH STOPPER  |          | X        |   | LEFT HINGED                                    |
| 110        | OCK160          | 541401R00        | PROTEZIONE CAVETTI LED                 | LED WIRING PROTECTION         |          | X        |   |  |
| 111        | OCK143          | 835403C00        | MECCANISMO CHIUSURA PORTA              | CLOSING MECHANISM             | X        |          |   |  |
| 112        | OCK297          | 548401U02        | MANIGLIA PORTA                         | DOOR HANDLE                   | X        |          |   | ELECTROLUX                                     |
| 113        | OCK205          | 549400W01        | VASCHETTA GN 1/1                       | FRONT DRIP TRAY GN 1/1        |          | X        |   | a b c d e f g h<br>q r s t u v                 |
| 113        | OCK204          | 549400X01        | VASCHETTA GN 2/1                       | FRONT DRIP TRAY GN 2/1        |          | X        |   | i j k l m n o p w<br>x y z a1 b1               |
| 114        | OCK239          | 879402801        | ASSIEME VETRO INTERNO 6 1/1            | INNER GLASS ASSEMBLY 6 1/1    | X        | X        |   | a b c d e f g h                                |
| 114        | OCK081          | 879402901        | ASSIEME VETRO INTERNO 10 1/1           | INNER GLASS ASSEMBLY 10 1/1   | X        | X        |   | q r s t u v                                    |
| 114        | OCK238          | 879402A01        | ASSIEME VETRO INTERNO 6 2/1            | INNER GLASS ASSEMBLY 6 2/1    | X        | X        |   | i j k l m n o p                                |

| SKYLINE    |                 |                   |  |   |   |       |                                 |
|------------|-----------------|-------------------|--|---|---|-------|---------------------------------|
| Pos        | Spare part Code | Factory code      | Descrizione                              | Description                             | V | W & T | S Ref./Notes                    |
| 114        | 0CK240          | 879402B01         | ASSIEME VETRO INTERNO 10 2/1             | INNER GLASS ASSEMBLY 10 2/1             | X | X     | w x y z a1 b1                   |
| 115        | 0CK222          | 543401V01         | GUARNIZIONE CELLA-PORTA 6 1/1            | DOOR GASKET 6 1/1                       | X | X     | a b c d e f g h                 |
| 115        | 0CK120          | 543401X01         | GUARNIZIONE CELLA-PORTA 10 1/1           | DOOR GASKET 10 1/1                      | X | X     | q r s t u v                     |
| 115        | 0CK121          | 543401W01         | GUARNIZIONE CELLA-PORTA 6 2/1            | DOOR GASKET 6 2/1                       | X | X     | i j k l m n o p                 |
| 115        | 0CK223          | 543401Y01         | GUARNIZIONE CELLA-PORTA 10 2/1           | DOOR GASKET 10 2/1                      | X | X     | w x y z a1 b1                   |
| 116        | 0CK171          | 83040BW02         | SPILLONE MULTIPOINT 10 1/1 – 10 2/1      | FOOD PROBE MULTIPOINT 10 1/1 – 10 2/1   |   | X     | q r s t u v w x y z a1 b1       |
| 116        | 0CK172          | 83040CX01         | SPILLONE MULTIPOINT 6 1/1 – 6 2/1        | FOOD PROBE MULTIPOINT 6 1/1 – 6 2/1     |   | X     | a b c d e f g h i j k l m n o p |
| 116        | 0CK173          | 83040BV01         | SPILLONE SINGLE POINT 10 1/1 – 10 2/1    | FOOD PROBE SINGLE POINT 10 1/1 – 10 2/1 |   | X     | q r s t u v w x y z a1 b1       |
| 116        | 0CK174          | 83040CY01         | SPILLONE SINGLE POINT 6 1/1 – 6 2/1      | FOOD PROBE SINGLE POINT 6 1/1 – 6 2/1   |   | X     | a b c d e f g h i j k l m n o p |
| <b>117</b> | <b>0CK176</b>   | <b>503407301</b>  | <b>SUPPORTO FILTRO</b>                   | <b>FILTER SUPPORT</b>                   |   |       |                                 |
| 118        | 0CK226          | 549400U02         | FILTRO ARIA                              | AIR FILTER                              |   | X     |                                 |
| 119        | 0CK154          | 875403K00         | PIEDE DI SERVIZIO INOX                   | SERVICE FOOT INOX                       |   |       |                                 |
| <b>119</b> |                 | <b>875406R00</b>  | <b>PIEDE DI SERVIZIO</b>                 | <b>SERVICE FOOT</b>                     |   |       | <b>MARINE</b>                   |
| 120        | 0CK076          | 870401W03         | ASSIEME PORTATEGLIE 6 1/1                | TRAY RACK 6 1/1                         |   |       | a b c d e f g h                 |
| 120        | 0CK241          | 870401Y03         | ASSIEME PORTATEGLIE 10 1/1               | TRAY RACK 10 1/1                        |   |       | q r s t u v                     |
| 120        | 0CK078          | 870401X03         | ASSIEME PORTATEGLIE 6 2/1                | TRAY RACK 6 2/1                         |   |       | i j k l m n o p                 |
| 120        | 0CK077          | 870401Z03         | ASSIEME PORTATEGLIE 10 2/1               | TRAY RACK 10 2/1                        |   |       | w x y z a1 b1                   |
| 120        | *               | 875404P01         | ASSIEME PORTATEGLIE 6 1/1                | TRAY RACK 6 1/1                         |   |       | a b c d e f g h BAKERY          |
| <b>120</b> | <b>0CK552</b>   | <b>0870402M01</b> | <b>ASSIEME PORTATEGLIE 6 1/1 MARINE</b>  | <b>MARINE TRAY RACK 6 1/1</b>           |   |       | <b>a b c d e f g h MARINE</b>   |
| <b>120</b> | <b>0CK551</b>   | <b>0870402L01</b> | <b>ASSIEME PORTATEGLIE 10 1/1 MARINE</b> | <b>MARINE TRAY RACK 10 1/1</b>          |   |       | <b>q r s t u v MARINE</b>       |
| <b>120</b> | <b>0CK553</b>   | <b>0870402N01</b> | <b>ASSIEME PORTATEGLIE 6 2/1 MARINE</b>  | <b>MARINE TRAY RACK 6 2/1</b>           |   |       | <b>i j k l m n o p MARINE</b>   |
| <b>120</b> | <b>0CK554</b>   | <b>0870402P01</b> | <b>ASSIEME PORTATEGLIE 10 2/1 MARINE</b> | <b>MARINE TRAY RACK 10 2/1</b>          |   |       | <b>w x y z a1 b1 MARINE</b>     |
| 121        | 0CK331          | 548402700         | COPERCHIETTO MANIGLIA ELUX               | ELUX HANDLE COVER                       |   | X     | ELECTROLUX                      |
| 122        | 0CK220          | 500406801         | MOLLETTA FERMATEGLIE                     | SPRING STOPPER                          |   | X     |                                 |
| 123        | 0CK114          | 543402500         | GUARNIZIONE ASPIRAZIONE ARIA             | AIR INLET GASKET                        |   | X     |                                 |
| 124        | OCA756          | 516896402         | DADO NASELLO                             | DOOR LATCH NUT                          |   | X     |                                 |
| 125        | 0CK195          | 549401800         | VALVOLA SCARICO VASCHETTA                | CHECK VALVE                             |   | X     |                                 |
| 126        | 0CK318          | 505406L02         | FERMA TEGLIE POSTERIORE                  | TRAY STOPPER                            |   | X     | a b c d e f g h i j k l m n o p |
| 126        | 0CK101          | 505406N01         | FERMA TEGLIE POSTERIORE                  | TRAY STOPPER                            |   | X     | q r s t u v w x y z a1 b1       |
| 127        | 0E1331          | 206004105         | ROSETTA                                  | WASHER                                  |   | X     |                                 |
| 128        | 0C3973          | 214014255         | VITE M6X25                               | SCREW M6X25                             |   | X     |                                 |
| 129        | 0CK082          | 805407P02         | BARRA LED                                | LED BAR                                 |   | X     |                                 |
| 130        | 0CK335          | 878407202         | PARETE DI ASPIRAZIONE 6 1/1              | SUCTION WALL 6 1/1                      |   |       | a b c d e f g h                 |
| 130        | *               | 878407901         | PARETE DI ASPIRAZIONE 6 1/1              | SUCTION WALL 6 1/1                      |   |       | a b c d e f g h BAKERY          |
| 130        | 0CK320          | 878403505         | PARETE DI ASPIRAZIONE 10 1/1             | SUCTION WALL 10 1/1                     |   |       | q r s t u v                     |
| 130        | *               | 878407B01         | PARETE DI ASPIRAZIONE 10 1/1             | SUCTION WALL 10 1/1                     |   |       | q r s t u v BAKEY               |
| 130        | 0CK153          | 878403705         | PARETE DI ASPIRAZIONE 6 2/1              | SUCTION WALL 6 2/1                      |   |       | i j k l m n o p                 |
| 130        | 0CK338          | 878407801         | PARETE DI ASPIRAZIONE 10 2/1             | SUCTION WALL 10 2/1                     |   |       | w x y z a1 b1                   |
| 131        | 0CK323          | 04P0187700        | BOCCOLA IGUS 'IGLIDUR MCM-12-02'         | BUSH IGUS 'IGLIDUR MCM-12-02'           |   | X     |                                 |
| 132        | 0CK347          | 0503404K04        | FIANCO DESTRO                            | RIGHT SIDE PANEL                        |   |       | a b c d e f g h                 |
| 132        | 0CK348          | 0504408304        | FIANCO DESTRO                            | RIGHT SIDE PANEL                        |   |       | i j k l m n o p                 |
| 132        | 0CK349          | 0503404L04        | FIANCO DESTRO                            | RIGHT SIDE PANEL                        |   |       | q r s t u v                     |



| SKYLINE |                 |              |  |                               |   |       |   |                        |
|---------|-----------------|--------------|--|-------------------------------|---|-------|---|------------------------|
| Pos     | Spare part Code | Factory code | Descrizione                            | Description                   | V | W & T | S | Ref./Notes             |
| 132     | 0CK350          | 0503405504   | FIANCO DESTRO                          | RIGHT SIDE PANEL              |   |       |   | w x y z a1 b1          |
| 133     | 0CK433          | 083040MQ02   | KIT PORTA DESTRA 061 ELUX 2 VETRI      | RIGHT DOOR KIT 2 GLASSES 6/1  |   |       |   | a d e f h - ELUX       |
| 133     | 0CK445          | 083040N202   | KIT PORTA DESTRA 061 ZAN 2 VETRI       | RIGHT DOOR KIT 2 GLASSES 6/1  |   |       |   | a d e f h - ZAN        |
| 133     | 0CK457          | 083040NF02   | KIT PORTA DESTRA 061 TO BRAND 2 VETRI  | RIGHT DOOR KIT 2 GLASSES 6/1  |   |       |   | a d e f h - TO BRAND   |
| 133     | 0CK434          | 083040MR02   | KIT PORTA DESTRA 061 ELUX 3 VETRI      | RIGHT DOOR KIT 3 GLASSES 6/1  |   |       |   | c g - ELUX             |
| 133     | 0CK446          | 083040N302   | KIT PORTA DESTRA 061 ZAN 3 VETRI       | RIGHT DOOR KIT 3 GLASSES 6/1  |   |       |   | c g - ZAN              |
| 133     | 0CK458          | 083040NG02   | KIT PORTA DESTRA 061 TO BRAND 3 VETRI  | RIGHT DOOR KIT 3 GLASSES 6/1  |   |       |   | c g - TO BRAND         |
| 133     | 0CK435          | 083040MS02   | KIT PORTA DESTRA 062 ELUX 2 VETRI      | RIGHT DOOR KIT 2 GLASSES 6/2  |   |       |   | i j l m n p - ELUX     |
| 133     | 0CK447          | 083040N402   | KIT PORTA DESTRA 062 ZAN 2 VETRI       | RIGHT DOOR KIT 2 GLASSES 6/2  |   |       |   | i j l m n p - ZAN      |
| 133     | 0CK459          | 083040NH02   | KIT PORTA DESTRA 062 TO BRAND 2 VETRI  | RIGHT DOOR KIT 2 GLASSES 6/2  |   |       |   | i j l m n p - TO BRAND |
| 133     | 0CK436          | 083040MT02   | KIT PORTA DESTRA 062 ELUX 3 VETRI      | RIGHT DOOR KIT 3 GLASSES 6/2  |   |       |   | k o - ELUX             |
| 133     | 0CK448          | 083040N502   | KIT PORTA DESTRA 062 ZAN 3 VETRI       | RIGHT DOOR KIT 3 GLASSES 6/2  |   |       |   | k o - ZAN              |
| 133     | 0CK460          | 083040NJ02   | KIT PORTA DESTRA 062 TO BRAND 3 VETRI  | RIGHT DOOR KIT 3 GLASSES 6/2  |   |       |   | k o - TO BRAND         |
| 133     | 0CK437          | 083040MU02   | KIT PORTA DESTRA 101 ELUX 2 VETRI      | RIGHT DOOR KIT 2 GLASSES 10/1 |   |       |   | q s t v - ELUX         |
| 133     | 0CK449          | 083040N602   | KIT PORTA DESTRA 101 ZAN 2 VETRI       | RIGHT DOOR KIT 2 GLASSES 10/1 |   |       |   | q s t v - ZAN          |
| 133     | 0CK461          | 083040NK02   | KIT PORTA DESTRA 101 TO BRAND 2 VETRI  | RIGHT DOOR KIT 2 GLASSES 10/1 |   |       |   | q s t v - TO BRAND     |
| 133     | 0CK438          | 083040MV02   | KIT PORTA DESTRA 101 ELUX 3 VETRI      | RIGHT DOOR KIT 3 GLASSES 10/1 |   |       |   | r u - ELUX             |
| 133     | 0CK450          | 083040N702   | KIT PORTA DESTRA 101 ZAN 3 VETRI       | RIGHT DOOR KIT 3 GLASSES 10/1 |   |       |   | r u - ZAN              |
| 133     | 0CK462          | 083040NL02   | KIT PORTA DESTRA 101 TO BRAND 3 VETRI  | RIGHT DOOR KIT 3 GLASSES 10/1 |   |       |   | r u - TO BRAND         |
| 133     | 0CK439          | 083040MW02   | KIT PORTA DESTRA 102 ELUX 2 VETRI      | RIGHT DOOR KIT 2 GLASSES 10/2 |   |       |   | w y z b1 - ELUX        |
| 133     | 0CK451          | 083040N802   | KIT PORTA DESTRA 102 ZAN 2 VETRI       | RIGHT DOOR KIT 2 GLASSES 10/2 |   |       |   | w y z b1 - ZAN         |
| 133     | 0CK463          | 083040NM02   | KIT PORTA DESTRA 102 TO BRAND 2 VETRI  | RIGHT DOOR KIT 2 GLASSES 10/2 |   |       |   | w y z b1 - TO BRAND    |
| 133     | 0CK440          | 083040MX02   | KIT PORTA DESTRA 102 ELUX 3 VETRI      | RIGHT DOOR KIT 3 GLASSES 10/2 |   |       |   | x a1 - ELUX            |
| 133     | 0CK452          | 083040N902   | KIT PORTA DESTRA 102 ZAN 3 VETRI       | RIGHT DOOR KIT 3 GLASSES 10/2 |   |       |   | x a1 - ZAN             |
| 133     | 0CK464          | 083040NN02   | KIT PORTA DESTRA 102 TO BRAND 3 VETRI  | RIGHT DOOR KIT 3 GLASSES 10/2 |   |       |   | x a1 - TO BRAND        |
| 133     | 0CK469          | 083040LW02   | KIT PORTA SINISTRA 061 ELUX CKM 2V     | LEFT DOOR KIT 2 GLASSES 6/1   |   |       |   | e - ELUX               |
| 133     | 0CK425          | 083040M403   | KIT PORTA SINISTRA 061 ZAN CKM 2V      | LEFT DOOR KIT 2 GLASSES 6/1   |   |       |   | e - ZAN                |
| 133     | 0CK483          | 083040MC02   | KIT PORTA SINISTRA 061 TO BRAND CKM 2V | LEFT DOOR KIT 2 GLASSES 6/1   |   |       |   | e - TO BRAND           |
| 133     | 0CK470          | 083040LX02   | KIT PORTA SINISTRA 061 ELUX CKM 3V     | LEFT DOOR KIT 3 GLASSES 6/1   |   |       |   | g - ELUX               |
| 133     | 0CK477          | 083040M502   | KIT PORTA SINISTRA 061 ZAN CKM 3V      | LEFT DOOR KIT 3 GLASSES 6/1   |   |       |   | g - ZAN                |
| 133     | 0CK484          | 083040MD02   | KIT PORTA SINISTRA 061 TO BRAND CKM 3V | LEFT DOOR KIT 3 GLASSES 6/1   |   |       |   | g - TO BRAND           |
| 133     | 0CK471          | 083040LY02   | KIT PORTA SINISTRA 062 ELUX CKM 2V     | LEFT DOOR KIT 2 GLASSES 6/2   |   |       |   | m - ELUX               |
| 133     | 0CK478          | 083040M602   | KIT PORTA SINISTRA 062 ZAN CKM 2V      | LEFT DOOR KIT 2 GLASSES 6/2   |   |       |   | m - ZAN                |
| 133     | 0CK485          | 083040MF02   | KIT PORTA SINISTRA 062 TO BRAND CKM 2V | LEFT DOOR KIT 2 GLASSES 6/2   |   |       |   | m - TO BRAND           |
| 133     | 0CK472          | 083040LZ02   | KIT PORTA SINISTRA 062 ELUX CKM 3V     | LEFT DOOR KIT 3 GLASSES 6/2   |   |       |   | o - ELUX               |
| 133     | 0CK479          | 083040M702   | KIT PORTA SINISTRA 062 ZAN CKM 3V      | LEFT DOOR KIT 3 GLASSES 6/2   |   |       |   | o - ZAN                |
| 133     | 0CK486          | 083040MG02   | KIT PORTA SINISTRA 062 TO BRAND CKM 3V | LEFT DOOR KIT 3 GLASSES 6/2   |   |       |   | o - TO BRAND           |
| 133     | 0CK473          | 083040M002   | KIT PORTA SINISTRA 101 ELUX CKM 2V     | LEFT DOOR KIT 2 GLASSES 10/1  |   |       |   | z - ELUX               |
| 133     | 0CK426          | 083040M801   | KIT PORTA SINISTRA 101 ZAN CKM 2V      | LEFT DOOR KIT 2 GLASSES 10/1  |   |       |   | z - ZAN                |
| 133     | 0CK487          | 083040MH02   | KIT PORTA SINISTRA 101 TO BRAND CKM 2V | LEFT DOOR KIT 2 GLASSES 10/1  |   |       |   | z - TO BRAND           |
| 133     | 0CK474          | 083040M102   | KIT PORTA SINISTRA 101 ELUX CKM 3V     | LEFT DOOR KIT 3 GLASSES 10/1  |   |       |   | a1 - ELUX              |
| 133     | 0CK480          | 083040M902   | KIT PORTA SINISTRA 101 ZAN CKM 3V      | LEFT DOOR KIT 3 GLASSES 10/1  |   |       |   | a1 - ZAN               |

| SKYLINE |                 |              |  |                              |   |       |               |
|---------|-----------------|--------------|--|------------------------------|---|-------|---------------|
| Pos     | Spare part Code | Factory code | Descrizione                            | Description                  | V | W & T | S Ref./Notes  |
| 133     | 0CK488          | 083040MJ02   | KIT PORTA SINISTRA 101 TO BRAND CKM 3V | LEFT DOOR KIT 3 GLASSES 10/1 |   |       | a1 - TO BRAND |
| 133     | 0CK475          | 083040M202   | KIT PORTA SINISTRA 102 ELUX CKM 2V     | LEFT DOOR KIT 2 GLASSES 10/2 |   |       | t - ELUX      |
| 133     | 0CK481          | 083040MA02   | KIT PORTA SINISTRA 102 ZAN CKM 2V      | LEFT DOOR KIT 2 GLASSES 10/2 |   |       | t - ZAN       |
| 133     | 0CK489          | 083040MK02   | KIT PORTA SINISTRA 102 TO BRAND CKM 2V | LEFT DOOR KIT 2 GLASSES 10/2 |   |       | t - TO BRAND  |
| 133     | 0CK476          | 083040M302   | KIT PORTA SINISTRA 102 ELUX CKM 3V     | LEFT DOOR KIT 3 GLASSES 10/2 |   |       | u - ELUX      |
| 133     | 0CK482          | 083040MB02   | KIT PORTA SINISTRA 102 ZAN CKM 3V      | LEFT DOOR KIT 3 GLASSES 10/2 |   |       | u - ZAN       |
| 133     | 0CK490          | 083040ML02   | KIT PORTA SINISTRA 102 TO BRAND CKM 3V | LEFT DOOR KIT 3 GLASSES 10/2 |   |       | u - TO BRAND  |
| 134     | 0CK356          | 0855408601   | ASS. VETRO INTERMEDIO PORTA            | DOOR MIDDLE GLASS ASS.Y      |   |       | c g           |
| 134     | 0CK357          | 0855408701   | ASS. VETRO INTERMEDIO PORTA            | DOOR MIDDLE GLASS ASS.Y      |   |       | r u           |
| 134     | 0CK358          | 0855409801   | ASS. VETRO INTERMEDIO PORTA            | DOOR MIDDLE GLASS ASS.Y      |   |       | k o           |
| 134     | 0CK359          | 0855409901   | ASS. VETRO INTERMEDIO PORTA            | DOOR MIDDLE GLASS ASS.Y      |   |       | x a1          |
| 135     | 0CK351          | 0543403D00   | ASS. GUARNIZIONE VETRO INTERMEDIO      | MIDDLE GLASS GASKET ASS.Y    |   |       | c g           |
| 135     | 0CK352          | 0543403F00   | ASS. GUARNIZIONE VETRO INTERMEDIO      | MIDDLE GLASS GASKET ASS.Y    |   |       | r u           |
| 135     | 0CK353          | 0543403G00   | ASS. GUARNIZIONE VETRO INTERMEDIO      | MIDDLE GLASS GASKET ASS.Y    |   |       | k o           |
| 135     | 0CK355          | 0543403H00   | ASS. GUARNIZIONE VETRO INTERMEDIO      | MIDDLE GLASS GASKET ASS.Y    |   |       | x a1          |
| 137     | 0CK269          | 083040BX00   | SONDA CELLA                            | CAVITY PROBE                 |   |       |               |
| 138     |                 |              | MOLLA PER CHIUSURA                     | SPRING                       |   |       |               |

| SKYLINE |                 |              |  |  |   |       |   |                               |
|---------|-----------------|--------------|--|--|---|-------|---|-------------------------------|
| Pos     | Spare part Code | Factory code | Descrizione                            | Description                              | V | W & T | S | Ref./Notes                    |
| 200     | 0CK161          | 541401D01    | PROTEZIONE SCHEDA USER                 | USER INTERFACE COVER                     |   |       |   |                               |
| 201     | 0CK037          | 638404D00    | CAVO PROLUNGA USB                      | USB PROLONG                              |   | X     |   |                               |
| 202     | 0CK041          | 546400V01    | SPORTELLINO USB                        | USB WINDOW                               |   | X     |   |                               |
| 203     | 0CK040          | 543401N01    | CRUSCOTTO PLASTICA TOUCH               | PLASTIC FRAME TOUCH                      |   |       |   | abcefgijk<br>mnoqrtuw<br>xza1 |
| 204     | 0CK144          | 541401F02    | MEMBRANA TOUCH ELECTROLUX CON BOILER   | ELECTROLUX TOUCH MEMBRANE WITH BOILER    |   | X     |   | efgmnottu<br>za1              |
| 204     | 0CK298          | 541402501    | MEMBRANA TOUCH ELECTROLUX SENZA BOILER | ELECTROLUX TOUCH MEMBRANE WITHOUT BOILER |   | X     |   | abcijkqr<br>wx                |
| 204     | 0CK299          | 541401U03    | MEMBRANA TOUCH ZANUSSI CON BOILER      | ZANUSSI TOUCH MEMBRANE WITH BOILER       |   | X     |   | efgmnottu<br>za1              |
| 204     | 0CK300          | 541402703    | MEMBRANA TOUCH ZANUSSI SENZA BOILER    | ZANUSSI TOUCH MEMBRANE WITHOUT BOILER    |   | X     |   | abcijkqr<br>wx                |
| 204     | 0CK332          | 541401V01    | MEMBRANA TOUCH TO BRAND                | TO BRAND TOUCH MEMBRANE                  |   | X     |   | abcefgijk<br>mnoqrtuw<br>xza1 |
| 204     | *               | 541402S00    | MEMBRANA TOUCH DIAMOND                 | DIAMOND TOUCH MEMBRANE                   |   | X     |   | abcefgijk<br>mnoqrtuw<br>xza1 |
| 205     | 0CK070          | 675401U04    | ACU -SCHEDA POWER                      | ACU-POWER BOARD                          | X |       |   |                               |
| 206     | 0CK034          | 673400900    | DISPLAY 7"                             | DISPLAY 7"                               | X |       |   | abcefgijk<br>mnoqrtuw<br>xza1 |
| 207     | 0CK033          | 675401G00    | SCHEDA ON/OFF                          | ON/OFF BOARD                             | X | X     |   |                               |
| 208     | 0CK036          | 675401J01    | SCHEDA BRIDGE                          | BRIDGE BOARD                             | X |       |   | abcefgijk<br>mnoqrtuw<br>xza1 |
| 209     | 0CK039          | 655400000    | ALTOPARLANTE                           | SPEAKER                                  |   | X     |   | abcefgijk<br>mnoqrtuw<br>xza1 |
| 210     | 0CK145          | 640400300    | MICRO INTERRUTTORE                     | MICRO SWITCH                             |   | X     |   |                               |
| 211     | 0CK199          | 682400G00    | VENTILATORE RAFFREDDAMENTO             | COOLING FAN                              |   | X     |   |                               |
| 212     | 0CK184          | 646400H00    | TERMOSTATO SICUREZZA CELLA             | CAVITY SAFETY THERMOSTAT                 | X |       |   |                               |
| 213     | 0CK183          | 646400G00    | TERMOSTATO SICUREZZA BOILER            | BOILER SAFETY THERMOSTAT                 | X |       |   |                               |
| 214     | 0CK167          | 675401S01    | SMPS ALIM. SWITCHING 24V               | SWITCHING FEEDER 24V                     | X |       |   |                               |
| 215     | 0CK166          | 675402Z00    | SMPS ALIM. SWITCHING 12V               | SWITCHING FEEDER 12V                     | X |       |   |                               |
| 216     | 0CK030          | 546400U01    | SUPPORTO USB                           | USB CAGE                                 |   |       |   |                               |
| 217     | 0CK225          | 694400L00    | FILTRO TOROIDALE                       | TOROIDAL FILTER                          |   |       |   | abcdefgh<br>qrstuv            |
| 217     | 0CK259          | 694400M00    | FILTRO TOROIDALE                       | TOROIDAL FILTER                          |   |       |   | ijklmnop<br>wxyz a1 b1        |
| 218     | 0CK168          | 657400200    | SONDA LAMBDA                           | LAMBDA PROBE                             |   | X     |   |                               |
| 219     | 0CK005          | 648400V00    | RELE' STATO SOLIDO 90A                 | SOLID STATE RELAY 90A                    | X |       |   | abcdefgh<br>qrstuv            |
| 219     | 0CK004          | 648400U00    | RELE' STATO SOLIDO 50A                 | SOLID STATE RELAY 50A                    |   |       |   | ijklmnop<br>wxyz a1 b1        |
| 220     | 0CK208          | 646400C01    | SONDA NTC DISSIPATORE CELLA            | NTC PROBE HEAT SINK-CAVITY               | X | X     |   |                               |
| 222     | 0C3732          | 167098088    | PASTIGLIA TERMICA                      | THERMAL PAD                              |   | X     |   |                               |
| 223     | 0CK035          | 675401H00    | SCHEDA CORE                            | CORE BOARD                               | X |       |   | abcefgijk<br>mnoqrtuw<br>xza1 |
| 224     | 0CK107          | 694400N00    | FILTRO TRIFASE                         | 3-PHASE FILTER                           |   | X     |   |                               |
| 225     | 0CK130          | 675401T02    | INVERTER                               | INVERTER                                 | X |       |   | EU                            |
| 225     | 0CK424          | 675403H00    | INVERTER                               | INVERTER                                 | X |       |   | USA                           |
| 226     | 0CK105          | 694400X00    | FILTRO EMC                             | EMC FILTER                               |   | X     |   |                               |
| 226     | 0CK260          | 694400S00    | FILTRO EMC                             | EMC FILTER                               |   | X     |   | AUS/MARINE                    |



| SKYLINE    |                 |                    |                                       |  |          |          |  |
|------------|-----------------|--------------------|---------------------------------------|--|----------|----------|--|
| Pos        | Spare part Code | Factory code       | Descrizione                           | Description                                | V        | W & T    | S Ref./Notes   |
| 227        | 088267          | 648722900          | RELE'                                 | RELAY                                      | X        | X        |  |
| 228        | 0CK209          | 646400D01          | SONDA NTC DISSIPATORE BOILER          | NTC PROBE HEAT SINK-BOILER                 | X        | X        |  |
| 229        | 0L3360          | 63962B400          | PORTA FUSIBILI (PEZZO SINGOLO)        | FUSE HOLDER (SINGLE PIECE)                 | X        | X        | EU   |
| 229        | 0CK406          | 63962D800          | PORTA FUSIBILI (PEZZO SINGOLO)        | FUSE HOLDER (SINGLE PIECE)                 | X        | X        | USA  |
| <b>229</b> |                 | <b>652400H0000</b> | <b>PORTA FUSIBILI (PEZZO SINGOLO)</b> | <b>FUSE HOLDER (SINGLE PIECE)</b>          | <b>X</b> | <b>X</b> | <b>MARINE</b>  |
| 230        | 0CK218          | 638404L00          | MORSETTO PHOENIX PT6 (PEZZO SINGOLO)  | PHOENIX CLAMP PT6 (SINGLE PIECE)           | X        | X        | a b c d e f g<br>h - all<br>q r s t u v -<br>400-380-415-<br>460-480 V   |
| 230        | 0CK249          | 638404M00          | MORSETTO PHOENIX PT16(PEZZO SINGOLO)  | PHOENIX CLAMP PT16 (SINGLE PIECE)          | X        | X        | i j k l m n o<br>p w x y z a1<br>b1 - all<br>q r s t u v -<br>200-208-220-<br>230-240 V  |
| 231        | 0CK231          | 648400W00          | CONTATTORE K318-ND                    | CONTACTOR K318-ND                          | X        | X        | a b c d e f g<br>h q r s t u v -<br>400-460-480 V  |
| 231        | 0CK290          | 648400X00          | CONTATTORE K3 32 A00                  | CONTACTOR K3 32 A00                        | X        | X        | a b c d e f g<br>h - 200-208-<br>230 V<br>i j k l m n o p -<br>400-460-480 V   |
| 231        | 0CK291          | 648400Y00          | CONTATTORE K3 40 A00                  | CONTACTOR K3 40 A00                        | X        | X        | i j k l m n o p q<br>r s t u v w x y z<br>a1 b1 -<br>200-208-230 V<br>w x y z a1 b1 -<br>400 V                                       |
| 232        | 0CK219          | 639401501          | MORSETTIERA 10 mm2 3F+N+F             | MAIN TERMINAL BLOCK 10 mm2 3F+N+F          |          |          | a b c d e f g<br>h q r s t u v -<br>400 V  |
| 232        | 0CK305          | 639401401          | MORSETTIERA 16 mm2 3F+N+F             | MAIN TERMINAL BLOCK 16 mm2 3F+N+F          |          |          | i j k l m n o p -<br>400 V   |
| 232        | 0CK306          | 639401801          | MORSETTIERA 35 mm2 3F+N+F             | MAIN TERMINAL BLOCK 35 mm2 3F+N+F          |          |          | w x y z a1 b1 -<br>400 V   |
| 232        | 0CK412          | 0639401N00         | MORSETTIERA 70 mm2                    | MAIN TERMINAL BLOCK 70 mm2                 |          |          | w x y z a1 b1 -<br>208V  |
| 232        | 0CK413          | 0639401R00         | MORSETTIERA 50 mm2                    | MAIN TERMINAL BLOCK 50 mm2                 |          |          | a b c d e f g h i<br>j k l m n o p q r<br>s t u v - 208V   |
| 232        | 0CK414          | 0639401U00         | MORSETTIERA 10 mm2 3F+PE              | MAIN TERMINAL BLOCK 10 mm2 3F+PE           |          |          | a b c d e f g h<br>q r s t u v 460-<br>480V  |
| 232        | 0CK415          | 0639401V00         | MORSETTIERA 16 mm2                    | MAIN TERMINAL BLOCK 16 mm2                 |          |          | i j k l m n o p -<br>460-480V  |
| 232        | 0CK416          | 0639401W00         | MORSETTIERA 35 mm2                    | MAIN TERMINAL BLOCK 35 mm2                 |          |          | w x y z a1 b1 -<br>460-480V  |
| 232        | <b>0CK016</b>   | <b>0639401P00</b>  | <b>MORSETTIERA 10 mm2 3F+F(PE)</b>    | <b>MAIN TERMINAL BLOCK 10 mm2 3F+F(PE)</b> |          |          | <b>a d e g h</b><br><b>220-240V</b>  |
| 232        | <b>0CK018</b>   | <b>639401T01</b>   | <b>MORSETTIERA 35 mm2 3F+F</b>        | <b>MAIN TERMINAL BLOCK 35 mm2 3F+F</b>     |          |          | <b>w x y z a1 b1 -</b><br><b>220-240V</b>  |
| 232        | <b>0CK017</b>   | <b>0639401S00</b>  | <b>MORSETTIERA 35 mm2</b>             | <b>MAIN TERMINAL BLOCK 35 mm2</b>          |          |          | <b>q r s t u v</b><br><b>220-240V</b><br><b>i j k l m n o p</b><br><b>w x y z a1 b1</b><br><b>380/400/415/</b><br><b>440/460/480</b> |
| <b>232</b> |                 | <b>639402300</b>   | <b>MORSETTIERA 16 mm2 3F+F</b>        | <b>MAIN TERMINAL BLOCK 16 mm2 3F+F</b>     |          |          | <b>i j k l m n o p</b><br><b>380/400/415/</b><br><b>440/460/480</b>  |

| SKYLINE    |                 |                   |  |   |          |       |                                   |
|------------|-----------------|-------------------|--|---|----------|-------|-----------------------------------|
| Pos        | Spare part Code | Factory code      | Descrizione  | Description                                     | V        | W & T | S Ref./Notes                      |
| 233        | 0CK080          | 830409103         | ASSIEME USER TOUCH                                   | USER INTERFACE ASSEMBLY TOUCH                   | X        |       | abcefgijk<br>mnoqrtuw<br>xza1     |
| <b>234</b> | <b>0CK079</b>   | <b>830409604</b>  | <b>ASSIEME USER DIGIT</b>                            | <b>USER INTERFACE ASSEMBLY DIGIT</b>            | <b>X</b> |       | <b>d h l p s v<br/>y b1</b>       |
| 235        | 0C5239          | 652806000         | FUSIBILE 5X20 4A ST520240                            | FUSE 5X20 4A ST520240                           | X        | X     | EU - US 480V                      |
| 235        | 0C1480          | 652803300         | FUSIBILE 5X20 6,3A T                                 | FUSE 5X20 6,3A T                                | X        | X     | EU - US                           |
| 235        | 0C2230          | 652805100         | FUSIBILE 6,3X32 FAST 6,3A 500V                       | FUSE 6,3X32 FAST 6,3A 500V                      | X        | X     | US 480V                           |
| <b>235</b> |                 | <b>0652400J00</b> | <b>FUSIBILE T 4.0A 5X20 250V CERAMICO</b>            | <b>FUS T 4.0A 5X20 250V CERAMICO</b>            |          |       | <b>440V MARINE</b>                |
| <b>235</b> |                 | <b>0652400L00</b> | <b>FUSIBILE T 6.3A 6.3X32 500V CERAMICO</b>          | <b>FUSE T 6.3A 6.3X32 500V CERAMICO</b>         |          |       | <b>440V MARINE</b>                |
| <b>235</b> | <b>0L3435</b>   | <b>0652608D00</b> | <b>FUSIBILE CERAMICO 5X20 250V 6.3 A T RITARDATO</b> | <b>FUSE CERAMICO 5X20 250V 6.3 A T RETARDED</b> |          |       | <b>440V MARINE</b>                |
| 236        | 0CK032          | 514405001         | MOLLA SPORTELLINO                                    | SPRING  |          | X     |                                   |
| 237        | 0CK038          | 638404F02         | CAVETTO RECOVERY                                     | RECOVERY CABLE                                  |          | X     |                                   |
| 238        | 0CK292          | 541401G02         | MEMBRANA DIGIT ELECTROLUX CON BOILER                 | ELECTROLUX DIGIT MEMBRANE WITH BOILER           |          | X     | d l s y                           |
| 238        | 0CK301          | 541402602         | MEMBRANA DIGIT ELECTROLUX SENZA BOILER               | ELECTROLUX DIGIT MEMBRANE WITHOUT BOILER        |          | X     | h p v b1                          |
| 238        | 0CK302          | 541401W03         | MEMBRANA DIGIT ZANUSSI CON BOILER                    | ZANUSSI DIGIT MEMBRANE WITH BOILER              |          | X     | d l s y                           |
| 238        | 0CK303          | 541402804         | MEMBRANA DIGIT ZANUSSI SENZA BOILER                  | ZANUSSI DIGIT MEMBRANE WITHOUT BOILER           |          | X     | h p v b1                          |
| 238        | 0CK333          | 541401X02         | MEMBRANA DIGIT TO BRAND CON BOILER                   | TO BRAND DIGIT MEMBRANE WITH BOILER             |          | X     | d l s y                           |
| 238        | 0CK334          | 541402A02         | MEMBRANA DIGIT TO BRAND SENZA BOILER                 | TO BRAND DIGIT MEMBRANE WITHOUT BOILER          |          | X     | h p v b1                          |
| 238        | *               | 541402U01         | MEMBRANA DIGIT DIAMOND CON BOILER                    | DIAMOND DIGIT MEMBRANE WITH BOILER              |          | X     | d l s y                           |
| 238        | *               | 541402T01         | MEMBRANA DIGIT DIAMOND SENZA BOILER                  | DIAMOND DIGIT MEMBRANE WITHOUT BOILER           |          | X     | h p v b1                          |
| 239        | 0CK043          | 543401Q01         | CRUSCOTTO PLASTICA DIGIT                             | PLASTIC FRAME DIGIT                             |          |       | d h l p s v y b1                  |
| <b>240</b> | <b>0CK044</b>   | <b>675401P02</b>  | <b>SCHEDA USER DIGIT</b>                             | <b>DIGIT USER BOARD</b>                         | <b>X</b> |       | <b>d h l p s v<br/>y b1</b>       |
| 241        | 0CK042          | 657400101         | SCHEDA NIU   | NIU BOARD                                       |          |       |                                   |
| 242        | 0CK045          | 675401Q00         | CAVETTO ON/OFF TOUCH                                 | ON/OFF CABLE TOUCH                              |          | X     | abcefgijk<br>mnoqrtuw<br>xza1     |
| 242        | 0CK329          | 675402K00         | CAVETTO ON/OFF DIGIT                                 | ON/OFF CABLE DIGIT                              |          | X     | d h l p s v y b1                  |
| 243        | 0CK254          | 646400A00         | SONDA NTC  | NTC PROBE                                       | X        | X     |                                   |
| 244        | 0CK330          | 675401L00         | CAVETTO CONNESSIONE SPEAKER                          | WIRING SPEAKER                                  |          | X     | abcefgijk<br>mnoqrtuw<br>xza1     |
| <b>245</b> | <b>0CK622</b>   | <b>546401700</b>  | <b>TASTO PER TASTIERA DIGIT</b>                      | <b>LIGHTED PUSH-BUTTON 13X13 H11.4MM</b>        |          |       | <b>d h l p s v y b1<br/>5 pcs</b> |

| SKYLINE |                 |              |                                     |                                |   |       |   |  |
|---------|-----------------|--------------|-------------------------------------|--------------------------------|---|-------|---|--|
| Pos     | Spare part Code | Factory code | Descrizione                         | Description                    | V | W & T | S | Ref./Notes   |
| 300     | 0CK418          | 686400304    | POMPA LAVAGGIO 220-240V 50/60HZ     | CLEANING PUMP 220-240V 50/60HZ | X | X     |   |  |
| 301     | 0C4202          | 516896000    | CONTRODADO                          | NUT                            |   |       | X |  |
| 302     | 0C4201          | 543841400    | GUARNIZIONE IN RAME                 | COPPER GASKET                  |   |       | X |  |
| 303     | 0CK285          | 83040HS00    | ASS. ELETTROVALVOLA                 | SOLENOID VALVE ASSEMBLY        |   |       | X | d e f g l m n o<br>s t u y z a1  |
| 303     | 0CK013          | 83040HU00    | ASS. ELETTROVALVOLA                 | SOLENOID VALVE ASSEMBLY        |   |       | X | a b c h i j k p<br>q r v w x b1  |
| 304     | 0CK182          | 541401S01    | TEGOLO RACCOGLI CONDENZA            | FRONT GUTTER                   |   |       |   |  |
| 305     | 0CK283          | 83040HL00    | GRUPPO ELETTROVALVOLE RM1400        | SOLENOID VALVES GROUP RM1400   |   |       | X | - USA all<br>- e f g m n o t<br>u z a1<br>- d l s y P85<br>- l ELUX 415-<br>440V                           |
| 305     | 0CK284          | 83040HM00    | GRUPPO ELETTROVALVOLE RM1300        | SOLENOID VALVES GROUP RM1300   |   |       | X | - a b c h i j k p q r<br>v w x b1 (except<br>USA)<br>- d l s y (except<br>P85)<br>- d s y ELUX<br>415-440V |
| 306     | 0CK282          | 83040HK00    | FLUSSIMETRO                         | FLOW METER ASSEMBLY            |   |       | X |  |
| 307     | 0CK128          | 855405L02    | INGRESSO UMIDIFICATORE 6 1/1        | HUMIDIFIER INLET 6 1/1         |   |       |   | a b c d e f g h  |
| 307     | 0CK126          | 855406701    | INGRESSO UMIDIFICATORE 10 1/1       | HUMIDIFIER INLET 10 1/1        |   |       |   | q r s t u v  |
| 307     | 0CK129          | 855405M02    | INGRESSO UMIDIFICATORE 6 2/1        | HUMIDIFIER INLET 6 2/1         |   |       |   | i j k l m n o p  |
| 307     | 0CK127          | 855406801    | INGRESSO UMIDIFICATORE 10 2/1       | HUMIDIFIER INLET 10 2/1        |   |       |   | w x y z a1 b1  |
| 308     | 0CK175          | 506405803    | STAFFA SUPPORTO ELETTROVALVOLA      | SOLENOID VALVE SUPPORT         |   |       |   |  |
| 309     | 0CK228          | 696400L01    | ELETTROVALVOLA.                     | SOLENOID VALVE                 |   |       | X |  |
| 310     | 0CK221          | 544401G03    | MANICOTTO MANDATA POMPA             | PUMP EXIT MANIFOLD             |   |       | X |  |
| 311     | 0CK137          | 544401F03    | MANICOTTO ASPIRAZIONE POMPA         | PUMP INLET MANIFOLD            |   |       | X |  |
| 312     | 0CK616          | 83040NZ00    | KIT DOCCETTA INTEGRATA              | INTEGRATED SHOWER KIT          |   |       |   | a,b,c,d,h,i,j,k,<br>l,p,q,r,s,v,w,x,<br>y,b1   |
| 313     | 0CK087          | 541402F01    | CILINDRO PASTIGLIE                  | CYLINDER FOR TABS              |   |       | X |  |
| 314     | 0CK233          | 855403M06    | CONDUTTURE CLEANING SYSTEM 6 1/1    | CLEANING SYSTEM PIPING 6 1/1   |   |       |   | a b c d e f g h  |
| 314     | 0CK235          | 855403N07    | CONDUTTURE CLEANING SYSTEM 10 1/1   | CLEANING SYSTEM PIPING 10 1/1  |   |       |   | q r s t u v  |
| 314     | 0CK232          | 855403P06    | CONDUTTURE CLEANING SYSTEM 6 2/1    | CLEANING SYSTEM PIPING 6 2/1   |   |       |   | i j k l m n o p  |
| 314     | 0CK234          | 855403Q07    | CONDUTTURE CLEANING SYSTEM 10 2/1   | CLEANING SYSTEM PIPING 10 2/1  |   |       |   | w x y z a1 b1  |
| 315     | 0CK157          | 514F02U00    | PORTAGOMMA                          | HOSE FITTING                   |   |       | X |  |
| 316     | 0CK141          | 544402P00    | MANICOTTO SCARICO BOILER            | BOILER DRAIN MANIFOLD          |   |       | X |  |
| 317     | 0CK207          | 544401A01    | TUBO SCARICO CONDENZA               | CONDENSATE DRAIN HOSE          |   |       | X |  |
| 318     | 0CK074          | 805407U01    | ASSIEME CONDUTTURA SCARICO CONDENZA | CONDENSATE DRAIN PIPE          |   |       |   |  |
| 319     | 0CK321          | 500404Y02    | COPERTURA POSTERIORE CARTER         | CARTER BACK COVER              |   |       |   |  |
| 319     |                 | 50040AX00    | COPERTURA POSTERIORE CARTER         | CARTER BACK COVER              |   |       |   | Marine   |
| 320     | 0CK236          | 500404D02    | CARTER COPERTURA FONDO              | CARTER BOTTOM COVER            |   |       |   |  |
| 320     |                 | 50040AW00    | CARTER COPERTURA FONDO              | CARTER BOTTOM COVER            |   |       |   | Marine   |
| 321     | 0CK178          | 546400W01    | SUPPORTO SCORRIMENTO DOCCETTA       | SHOWER HOSE SUPPORT SLIPPING   |   |       | X |  |
| 322     | 0CK196          | 805407S05    | VASCHETTA RACCOGLI CONDENZA 1/1     | FRONT DRIP TRAY GN 1/1         |   |       | X | a b c d e f g h<br>q r s t u v   |
| 322     | 0CK197          | 805407T05    | VASCHETTA RACCOGLI CONDENZA 2/1     | FRONT DRIP TRAY GN 2/1         |   |       | X | i j k l m n o p<br>w x y z a1 b1   |
| 323     | 0CB250          | 689400001    | VALVOLA SCARICO BOILER              | BOILER DRAIN VALVE             | X | X     |   | EU   |
| 323     | 0CB251          | 689400500    | VALVOLA SCARICO BOILER              | BOILER DRAIN VALVE             | X | X     |   | USA  |
| 324     | 0CK217          | 541401K02    | PANNELLO FACCIATA INFERIORE         |                                |   |       | X | Up to 2019/41  |
| 324     | 0CK427          | 541402Z00    | PANNELLO FACCIATA INFERIORE         |                                |   |       | X | From 2019/42   |
| 325     | 0CK137          | 544401F03    | MANICOTTO ASPIRAZIONE POMPA         | PUMP INLET MANIFOLD            |   |       | X |  |

| SKYLINE    |                 |                  |   |                                     |   |          |          |  |
|------------|-----------------|------------------|---|-------------------------------------|---|----------|----------|--|
| Pos        | Spare part Code | Factory code     | Descrizione   | Description                         | V | W & T    | S        | Ref./Notes   |
| 326        | 0CK420          | 830409A04        | ASSIEME CAMINO ABBATTITORE                          | STEAM EXHAUST PIPE                  |   |          |          | a b c d e f g h i<br>j k l m n o p   |
| <b>326</b> | <b>0CK075</b>   | <b>830409B05</b> | <b>ASSIEME CAMINO ABBATTITORE</b>                   | <b>STEAM EXHAUST PIPE</b>           |   |          |          | q r s t u v w x<br>y z a1 b1   |
| 328        | 0CK155          | 514407S00        | PIOLO SCARICO CONDENZA PORTA                        | CONDENSATE DOOR DRAIN STUD          | X | X        |          |  |
| 329        | 0CK193          | 689400700        | VALVOLA MOTORIZZATA 1"                              | MOTORIZED BALL VALVE 1"             | X | X        |          | EU   |
| 329        | 0CK380          | 689400600        | VALVOLA MOTORIZZATA 1"                              | MOTORIZED BALL VALVE 1"             | X | X        |          | USA  |
| 330        | 0CK138          | 544401V02        | MANICOTTO COLLEGAMENTO CAMINO                       | RUBBER MANIFOLD                     |   | X        |          |  |
| <b>331</b> | <b>0CK097</b>   | <b>835402V03</b> | <b>DOCSETTA</b>                                     | <b>WATER SPRAY GUN</b>              |   |          |          | - e,f,g,m,n,o all<br>- o,t,u,z,a1 all<br>- a,b,c,d,h 60 Hz<br>- i,j,k,l,p 60 Hz<br>- q,r,s,v 60 Hz<br>- w,x,y,b1 60 Hz |
| 332        | 0CK096          | 514405A00        | DADO CIECO 1"G                                      | NUT 1"                              |   | X        |          |  |
| 333        | 0CK073          | 805409V01        | ASS. COLLETTORE SCARICO AIRBREAK                    | AIRBREAK DRAIN ASSEMBLY             | X | X        |          |  |
| 334        | 0CK142          | 544401J03        | MANICOTTO SCARICO CELLA                             |                                     |   | X        |          |  |
| 335        | 0CK162          | 518400Y00        | RONDELLA OTTONE (34X42X2.5)                         | BRASS WASHER (34X42X2.5)            |   | X        |          |  |
| 336        | 0CK170          | 83040C000        | SONDA TEMP. ABBATTITORE FUMANE                      | STEAM QUENCHING TEMP. PROBE         | X | X        |          |  |
| <b>337</b> | <b>0CK106</b>   | <b>502404000</b> | <b>FILTRO SUPPORTO DETERGENTE</b>                   | <b>DETERGENT HOLDER FILTER</b>      |   |          |          |  |
| 338        | 0CK206          | 544402Z00        | TUBO SILICONE                                       | SILICON HOSE                        |   | X        |          |  |
| 339        | 046855          | 518602801        | FASCETTA  | CLAMP                               |   | X        |          |  |
| 340        | 0CK169          | 653400B00        | SONDA NTC SICUREZZA                                 | SAFETY NTC PROBE                    | X | X        |          |  |
| 341        | 0CK304          | 835405Q00        | FASCETTA A MOLLA FBS HC 24/12                       | SPRING CLAMP FBS HC 24/12           |   | X        |          |  |
| 342        | 0CK191          | 544402Y00        | TUBO SCARICO BOILER                                 | BOILER DRAIN HOSE                   |   | X        |          |  |
| 343        | 0CK139          | 544401Z02        | MANICOTTO COLLEGAM. SCARICHI 1/1                    | DRAIN CONNECTOR 1/1                 |   | X        |          | a b c d e f g h<br>q r s t u v   |
| 343        | 0CK140          | 544403100        | MANICOTTO COLLEGAM. SCARICHI 2/1                    | DRAIN CONNECTOR 2/1                 |   | X        |          | i j k l m n o p w<br>x y z a1 b1   |
| 344        | 0C5829          | 544819400        | TUBO EPDM BLU                                       | EPDM BLUE HOSE                      |   | X        |          |  |
| 345        | 0CK192          | 544401Y00        | TUBO SILICONE RETINATO                              | SILICONE HOSE REINFORCED            |   | X        |          |  |
| 346        | 0CK190          | 544402000        | TUBO NBR TELATO                                     | NBR HOSE BLACK                      |   | X        |          |  |
| 347        | 0CK083          | 514404Y01        | BICONO TENUTA TERMOCOPPIA                           | THERMOCOUPLE BICONICAL SEALING      |   | X        |          |  |
| <b>348</b> | <b>0C9201</b>   | <b>518825C01</b> | <b>FASCETTA A VITE CLAMP BCT-9420 X TUBO D21-44</b> | <b>CLAMP BCT-9420 X TUBO D21-44</b> |   | <b>X</b> |          |  |
| 349        | 0L3736          | 640613Q00        | SENSORE REED CASSETTO PASTIGLIE                     | TABS DRAWER REED SENSOR             |   |          |          |  |
| <b>350</b> | <b>0CK304</b>   | <b>835405Q00</b> | <b>FASCETTA A MOLLA CON PREFIX FBS HC 24/12</b>     | <b>SPRING CLAMP FBS HC 24/12</b>    |   | <b>X</b> |          |  |
| 351        | 0CK007          | 654400300        | SENSORE REED PORTA DX                               | RIGHT DOOR REED SENSOR              |   |          |          | L = 470 mm   |
| 351        | 0CK384          | 654400500        | SENSORE REED PORTA SX                               | LEFT DOOR REED SENSOR               |   |          |          | L = 1100 mm  |
| 352        | 0CK177          | 514406W01        | SUPPORTO PASTIGLIE                                  | TABS HOLDER                         |   |          |          |  |
| 353        | 0CK246          | 514406V00        | MOLLA TAPPO   | CUP SPRING                          |   | X        |          |  |
| 354        | 0CK125          | 543402S01        | GUARNIZIONE TAPPO                                   | CUP GASKET                          |   | X        |          |  |
| 355        | 0CK180          | 541402M00        | TAPPO MOBILE  | MOVABLE CUP                         |   | X        |          |  |
| 356        | 0CK179          | 541402D00        | TAPPO FISSO   | FIX CUP                             |   | X        |          |  |
| <b>357</b> | <b>0CK322</b>   | <b>80540DK02</b> | <b>ASSIEME TAPPO SERBATOIO CHIMICA</b>              | <b>CUP TANK ASSEMBLY</b>            |   | <b>X</b> |          |  |
| 358        | 0PE481          | 511T00300        | MANOPOLA ZIGRINATA                                  | KNURLED SCREW                       |   | X        |          |  |
| 360        | 0CK100          | 835405P00        | FASCETTA A MOLLA FBS HC 38/12                       | SPRING CLAMP FBS HC 38/12           |   | X        |          |  |
| 361        | 0S1279          | 0P.P313.00.00    | SEGER PER MINIREEL (PER FORO d. 28)                 |                                     |   | X        |          |  |
| 363        | 0CK431          | 0P.P463X5        | O-RING 2081   |                                     |   | X        |          |  |
| 364        | 0CK429          | 0R.F193          | TUBO FLESSIBILE EPDM d.6x12mm                       |                                     |   | X        |          |  |
| 365        | 0CK430          | 0R.P470          | MOLLA SAGOMATA                                      |                                     |   | X        |          |  |
| 366        | 0L0673          | 0P.P243.00.00    | TESTA DOCCIA  |                                     |   | X        |          |  |
| <b>367</b> | <b>0CK600</b>   | <b>544401S01</b> | <b>COLLETTORE RPE DN19 CON FILTRO 3/4"</b>          | <b>COLLECTOR</b>                    |   |          | <b>X</b> |  |

| SKYLINE     |                 |                  |                                      |   |   |       |   |                      |
|-------------|-----------------|------------------|--------------------------------------|---|---|-------|---|----------------------|
| Pos         | Spare part Code | Factory code     | Descrizione                          | Description                             | V | W & T | S | Ref./Notes           |
| 400         | 0CK272          | 83040C401        | BOILER 6 1/1                         | BOILER 6 1/1                            | X |       |   | defg                 |
| 400         | 0CK271          | 83040C301        | BOILER 10 1/1                        | BOILER 10 1/1                           | X |       |   | stu                  |
| 400         | 0CK307          | 83040C501        | BOILER 6 2/1                         | BOILER 6 2/1                            | X |       |   | lmno                 |
| 400         | 0CK308          | 83040C601        | BOILER 10 2/1                        | BOILER 10 2/1                           | X |       |   | yz a1                |
| 401         | 007033          | 830890501        | SONDA LIVELLO ACQUA                  | WATER LEVEL SENSOR                      | X | X     |   |                      |
| 402         | 0CK147          | 514406Q00        | MOLLA                                | SPRING                                  |   | X     |   |                      |
| 403         | 0C5834          | 543844800        | GUARNIZIONE RESISTENZA BOILER        | BOILER HEATING ELEMENT GASKET           | X | X     |   |                      |
| 404         | 0CK214          | 617402801        | RESIST. BOILER 415V 9688W            | BOILER HEATING ELEM. 415V 9688W         | X |       |   | defgstu<br>380-415V  |
| 404         | 0CK215          | 617402D01        | RESIST. BOILER 415V 19375W           | BOILER HEATING ELEM. 415V 19375W        | X |       |   | lmnoyza1<br>380-415V |
| 404         | 0CK023          | 617402700        | RESIST. BOILER 240V 9688W            | BOILER HEATING ELEM. 240V 9688W         | X |       |   | defgstu<br>220-240V  |
| 404         | 0CK024          | 617402C00        | RESIST. BOILER 240V 19375W           | BOILER HEATING ELEM. 240V 19375W        | X |       |   | lmnoyza1<br>220-240V |
| 404         | 0CK399          | 617402600        | RESIST. BOILER 208V 9000W            | BOILER HEATING ELEM. 208V 9000W         | X |       |   | defgstu<br>200-208V  |
| 404         | 0CK400          | 617402A00        | RESIST. BOILER 480V 9000W            | BOILER HEATING ELEM. 480V 9000W         | X |       |   | defgstu<br>460-480V  |
| 404         | 0CK401          | 617402B00        | RESIST. BOILER 208V 18000W           | BOILER HEATING ELEM. 208V 18000W        | X |       |   | lmnoyza1<br>200-208V |
| 404         | 0CK402          | 617402G00        | RESIST. BOILER 480V 18000W           | BOILER HEATING ELEM. 480V 18000W        | X |       |   | lmnoyza1<br>460-480V |
| <b>404</b>  | <b>0CK611</b>   | <b>617402900</b> | <b>RESIST. BOILER 440V 9423W</b>     | <b>BOILER HEATING ELEM. 440V 9423W</b>  | X |       |   | defgstu<br>440V      |
| <b>404</b>  | <b>0CK613</b>   | <b>617402F00</b> | <b>RESIST. BOILER 440V 18847W</b>    | <b>BOILER HEATING ELEM. 440V 18847W</b> | X |       |   | lmnoyza1<br>440V     |
| 405         | 0CK188          | 515404902        | TUBO INGRESSO ARIA                   | AIR INLET PIPE                          |   |       |   |                      |
| <b>406</b>  | <b>0CK270</b>   | <b>83040BY00</b> | <b>SENSORE DI TEMPERATURA BOILER</b> | <b>BOILER TEMPERATURE SENSOR</b>        | X | X     |   |                      |
| 407         | 0CK006          | 805409302        | ASSIEME VALVOLA ARIA                 | AIR INLET VALVE                         | X | X     |   |                      |
| <b>407a</b> |                 | <b>543402R01</b> | <b>GUARNIZIONE VALVOLA ARIA</b>      | <b>AIR INLET VALVE GASKET</b>           |   |       |   |                      |
| 408         | 0CK072          | 569400Q00        | ANELLO TENUTA IN GRAFITE             | GRAPHITIC RING                          |   | X     |   |                      |
| 409         | 0CK181          | 50440AT00        | TEGOLO PARAGOCCE                     | DRIP PROTECTION                         |   |       |   |                      |
| 410         | 0CK200          | 504409J00        | VENTOLA GN 1/1                       | FAN GN1/1                               |   |       |   | abcdefgh<br>qrstuv   |
| 410         | 0CK201          | 504409K00        | VENTOLA GN 2/1                       | FAN GN 2/1                              |   |       |   | ijklmnop<br>xyza1 b1 |
| 411         | 0CK211          | 617401N02        | RESISTENZA CELLA 400V 6 1/1          | CAVITY HEATING ELEM. 400V 6 1/1         | X |       |   | abcdefgh<br>400V     |
| 411         | 0CK213          | 617401Y02        | RESISTENZA CELLA 400V 10 1/1         | CAVITY HEATING ELEM. 400V 10 1/1        | X |       |   | qrstuv<br>400V       |
| 411         | 0CK210          | 617401T02        | RESISTENZA CELLA 400V 6 2/1          | CAVITY HEATING ELEM. 400V 6 2/1         | X |       |   | ijklmnop<br>400V     |
| 411         | 0CK212          | 617402302        | RESISTENZA CELLA 400V 10 2/1         | CAVITY HEATING ELEM. 400V 10 2/1        | X |       |   | wxyza1 b1<br>400V    |
| 411         | 0CK019          | 617401M01        | RESISTENZA CELLA 240V 6 1/1          | CAVITY HEATING ELEM. 240V 6 1/1         | X |       |   | abcdefgh<br>240V     |
| 411         | 0CK021          | 617401X01        | RESISTENZA CELLA 240V 10 1/1         | CAVITY HEATING ELEM. 240V 10 1/1        | X |       |   | qrstuv<br>240V       |
| 411         | 0CK020          | 617401S01        | RESISTENZA CELLA 240V 6 2/1          | CAVITY HEATING ELEM. 240V 6 2/1         | X |       |   | ijklmnop<br>240V     |
| 411         | 0CK022          | 617402201        | RESISTENZA CELLA 240V 10 2/1         | CAVITY HEATING ELEM. 240V 10 2/1        | X |       |   | wxyza1 b1<br>240V    |
| 411         | 0CK391          | 617401L01        | RESISTENZA CELLA 208V 6 1/1          | CAVITY HEATING ELEM. 208V 6 1/1         | X |       |   | abcdefgh<br>208V     |
| 411         | 0CK392          | 617401Q01        | RESISTENZA CELLA 480V 6 1/1          | CAVITY HEATING ELEM. 480V 6 1/1         | X |       |   | abcdefgh<br>480V     |
| 411         | 0CK393          | 617401R01        | RESISTENZA CELLA 208V 6 2/1          | CAVITY HEATING ELEM. 208V 6 2/1         | X |       |   | ijklmnop<br>208V     |

| SKYLINE    |                 |                   |                                     |   |          |       |   |   |
|------------|-----------------|-------------------|-------------------------------------|---|----------|-------|---|---|
| Pos        | Spare part Code | Factory code      | Descrizione                         | Description                             | V        | W & T | S | Ref./Notes                                      |
| 411        | 0CK394          | 617401V01         | RESISTENZA CELLA 480V 6 2/1         | CAVITY HEATING ELEM. 480V 6 2/1         | X        |       |   | ijklmnop<br>480V                                |
| 411        | 0CK395          | 617401W01         | RESISTENZA CELLA 208V 10 1/1        | CAVITY HEATING ELEM. 208V 10 1/1        | X        |       |   | qrstuv<br>208V                                  |
| 411        | 0CK396          | 617402001         | RESISTENZA CELLA 480V 10 1/1        | CAVITY HEATING ELEM. 480V 10 1/1        | X        |       |   | qrstuv<br>480V                                  |
| 411        | 0CK397          | 617402101         | RESISTENZA CELLA 208V 10 2/1        | CAVITY HEATING ELEM. 208V 10 2/1        | X        |       |   | wxyz a1 b1<br>208V                              |
| 411        | 0CK398          | 617402501         | RESISTENZA CELLA 480V 10 2/1        | CAVITY HEATING ELEM. 480V 10 2/1        | X        |       |   | wxyz a1 b1<br>480V                              |
| <b>411</b> | <b>0CK612</b>   | <b>617401P01</b>  | <b>RESISTENZA CELLA 440V 6 1/1</b>  | <b>CAVITY HEATING ELEM. 440V 6 1/1</b>  | <b>X</b> |       |   | <b>abcdefghijkl<br/>440V MARINE</b>             |
| <b>411</b> | <b>0CK589</b>   | <b>617401U01</b>  | <b>RESISTENZA CELLA 440V 6 2/1</b>  | <b>CAVITY HEATING ELEM. 440V 6 2/1</b>  | <b>X</b> |       |   | <b>ijklmnop<br/>440V -<br/>MARINE/AUS</b>       |
| <b>411</b> | <b>0CK590</b>   | <b>617401Z01</b>  | <b>RESISTENZA CELLA 440V 10 1/1</b> | <b>CAVITY HEATING ELEM. 440V 10 1/1</b> | <b>X</b> |       |   | <b>qrstuv<br/>440V -<br/>MARINE/AUS</b>         |
| <b>411</b> | <b>0CK610</b>   | <b>617402401</b>  | <b>RESISTENZA CELLA 440V 10 2/1</b> | <b>CAVITY HEATING ELEM. 440V 10 2/1</b> | <b>X</b> |       |   | <b>wxyz a1 b1<br/>440V MARINE</b>               |
| 412        | 0CK216          | 514404Z03         | PERNO SUPPORTO MOTORE               | MOTOR PIN SUPPORT                       |          |       |   |   |
| 413        | 0CK149          | 611400900         | MOTORE HANNING 450W                 | HANNING MOTOR 450W                      | X        |       |   | abcdefghijkl<br>qrstuv<br>up to 2020/18         |
| <b>413</b> | <b>0CK150</b>   | <b>611400C01</b>  | <b>MOTORE FIR 750W</b>              | <b>FIR MOTOR 750W</b>                   | <b>X</b> |       |   | <b>ijklmnop<br/>wxyz a1 b1<br/>EU/AUS</b>       |
| <b>413</b> | <b>0CK422</b>   | <b>611400B02</b>  | <b>MOTORE FIR 450W</b>              | <b>FIR MOTOR 450W</b>                   | <b>X</b> |       |   | <b>abcdefghijkl<br/>qrstuv<br/>from 2020/19</b> |
| 413        | 0CK423          | 611400A00         | MOTORE 750W                         | MOTOR 750W                              | X        |       |   | ijklmnopw<br>xyz a1 b1 US                       |
| 414        | 0CK108          | 514404W02         | FLANGIA                             | FLANGE                                  |          |       |   |   |
| 415        | 0CK189          | 544401B00         | TUBO INGRESSO VAPORE                | STEAM INLET HOSE                        | X        | X     |   |   |
| 416        | 0CK309          | 217016205         | VITE TENUTA VENTOLA                 | FAN SCREW                               |          | X     |   |   |
| 417        | 0CK310          | 206300900         | RONDELLA                            | WASHER                                  |          | X     |   |   |
| 418        | 0CK311          | 560401702         | ISOLANTE BOILER 6 1/1               | BOILER INSULATION 6 1/1                 |          | X     |   | defg  |
| 418        | 0CK312          | 560401A02         | ISOLANTE BOILER 10 1/1              | BOILER INSULATION 10 1/1                |          | X     |   | stu   |
| 418        | 0CK313          | 560401802         | ISOLANTE BOILER 6 2/1               | BOILER INSULATION 6 2/1                 |          | X     |   | lmno  |
| 418        | 0CK314          | 560401902         | ISOLANTE BOILER 10 2/1              | BOILER INSULATION 10 2/1                |          | X     |   | yz a1   |
| 419        | 006451          | 147018082         | NASTRO ADESIVO ALLUMINATO           | ALLUMINIUM ADHESIVE TAPE                |          | X     |   |   |
| 420        | 0CK117          | 569400Z00         | GUARNIZIONE 6 1/1                   | GASKET 6 1/1                            | X        | X     |   | abcdefghijkl                                    |
| 420        | 0CK118          | 569401000         | GUARNIZIONE 6 2/1-10 1/1-10 2/1     | GASKET 6 2/1-10 1/1-10 2/1              | X        | X     |   | ijklmnopq<br>rstuvwxyz<br>a1 b1                 |
| 429        | 0CK403          | 624400P01         | TRASFORMATORE TOROIDALE 550VA       | TRANSFORMER 550 VA                      |          |       |   | 100-120-200-<br>208-220-230-<br>240 V           |
| 430        | 0CK404          | 624400Q01         | TRASFORMATORE TOROIDALE 1450VA      | TRANSFORMER 1450 VA                     |          |       |   | 0-230-380-<br>400-415-440-<br>460-480 V         |
| 431        | <b>0CK592</b>   | <b>9F92263600</b> | <b>KIT SCARICO ACCIAIO</b>          | <b>STEEL PIPES</b>                      |          |       |   |   |
| 432        | <b>0CK593</b>   | <b>9F92263700</b> | <b>KIT SCARICO PLASTICA</b>         | <b>PLASTIC PIPES</b>                    |          |       |   |   |



SKYLINE – KIT DI MANUTENZIONE – MAINTENANCE KIT

| Spare Part Code KIT | Description KIT        | Spare Part Code | S.P. Q.ty | Spare part position | Descrizione Spare part    | Spare part Description | Ref./Note                             |
|---------------------|------------------------|-----------------|-----------|---------------------|---------------------------|------------------------|---------------------------------------|
| <b>0CK360</b>       | <b>SKL OV PM KIT 1</b> |                 |           |                     |                           |                        | <b>10 GN 1/1 - BOILER/ BOILERLESS</b> |
|                     |                        | 0CK120          | 1         | 115                 | GUARNIZIONE CELLA-PORTA   | DOOR GASKET            |                                       |
|                     |                        | 0CK226          | 1         | 118                 | FILTRO ARIA               | AIR FILTER             |                                       |
|                     |                        | 0CK195          | 1         | 125                 | VALVOLA SCARICO VASCHETTA | CHECK VALVE            |                                       |
|                     |                        | 0CK323          | 1         | 131                 | BOCCOLA IGUS              | BUSH IGUS              |                                       |
|                     |                        | 0CK119          | 2         |                     | GUARN. CANDELINA ACC.NE   | IGNITION ROD GASKET    |                                       |
|                     |                        | 0CK115          | 2         |                     | GUARNIZIONE BRUCIATORE    | BURNER GASKET          |                                       |
|                     |                        | 0CK116          | 2         |                     | GUARNIZIONE BRUCIATORE    | BURNER GASKET          |                                       |
| <b>0CK361</b>       | <b>SKL OV PM KIT 2</b> |                 |           |                     |                           |                        | <b>6 GN 2/1 - BOILER/ BOILERLESS</b>  |
|                     |                        | 0CK121          | 1         | 115                 | GUARNIZIONE CELLA-PORTA   | DOOR GASKET            |                                       |
|                     |                        | 0CK226          | 1         | 118                 | FILTRO ARIA               | AIR FILTER             |                                       |
|                     |                        | 0CK195          | 1         | 125                 | VALVOLA SCARICO VASCHETTA | CHECK VALVE            |                                       |
|                     |                        | 0CK323          | 1         | 131                 | BOCCOLA IGUS              | BUSH IGUS              |                                       |
|                     |                        | 0CK119          | 2         |                     | GUARN. CANDELINA ACC.NE   | IGNITION ROD GASKET    |                                       |
|                     |                        | 0CK115          | 2         |                     | GUARNIZIONE BRUCIATORE    | BURNER GASKET          |                                       |
|                     |                        | 0CK116          | 2         |                     | GUARNIZIONE BRUCIATORE    | BURNER GASKET          |                                       |
| <b>0CK362</b>       | <b>SKL OV PM KIT 3</b> |                 |           |                     |                           |                        | <b>6 GN 1/1 - BOILER/ BOILERLESS</b>  |
|                     |                        | 0CK222          | 1         | 115                 | GUARNIZIONE CELLA-PORTA   | DOOR GASKET            |                                       |
|                     |                        | 0CK226          | 1         | 118                 | FILTRO ARIA               | AIR FILTER             |                                       |
|                     |                        | 0CK195          | 1         | 125                 | VALVOLA SCARICO VASCHETTA | CHECK VALVE            |                                       |
|                     |                        | 0CK323          | 1         | 131                 | BOCCOLA IGUS              | BUSH IGUS              |                                       |
|                     |                        | 0CK119          | 2         |                     | GUARN. CANDELINA ACC.NE   | IGNITION ROD GASKET    |                                       |
|                     |                        | 0CK115          | 2         |                     | GUARNIZIONE BRUCIATORE    | BURNER GASKET          |                                       |
|                     |                        | 0CK116          | 2         |                     | GUARNIZIONE BRUCIATORE    | BURNER GASKET          |                                       |
| <b>0CK363</b>       | <b>SKL OV PM KIT 4</b> |                 |           |                     |                           |                        | <b>10 GN 2/1 - BOILER/ BOILERLESS</b> |
|                     |                        | 0CK223          | 1         | 115                 | GUARNIZIONE CELLA-PORTA   | DOOR GASKET            |                                       |
|                     |                        | 0CK226          | 1         | 118                 | FILTRO ARIA               | AIR FILTER             |                                       |
|                     |                        | 0CK195          | 1         | 125                 | VALVOLA SCARICO VASCHETTA | CHECK VALVE            |                                       |
|                     |                        | 0CK323          | 1         | 131                 | BOCCOLA IGUS              | BUSH IGUS              |                                       |
|                     |                        | 0CK119          | 2         |                     | GUARN. CANDELINA ACC.NE   | IGNITION ROD GASKET    |                                       |
|                     |                        | 0CK115          | 2         |                     | GUARNIZIONE BRUCIATORE    | BURNER GASKET          |                                       |
|                     |                        | 0CK116          | 2         |                     | GUARNIZIONE BRUCIATORE    | BURNER GASKET          |                                       |

SKYLINE – KIT DI MANUTENZIONE – MAINTENANCE KIT

| Spare Part Code KIT | Description KIT        | Spare Part Code | S.P. Q.ty | Spare part position | Descrizione Spare part          | Spare part Description | Ref./Note                             |
|---------------------|------------------------|-----------------|-----------|---------------------|---------------------------------|------------------------|---------------------------------------|
| <b>0CK364</b>       | <b>SKL OV PM KIT 5</b> |                 |           |                     |                                 |                        | <b>10 GN 1/1 - BOILER/ BOILERLESS</b> |
|                     |                        | 0CK120          | 1         | 115                 | GUARNIZIONE CELLA-PORTA         | DOOR GASKET            |                                       |
|                     |                        | 0CK226          | 1         | 118                 | FILTRO ARIA                     | AIR FILTER             |                                       |
|                     |                        | 0CK195          | 1         | 125                 | VALVOLA SCARICO VASCHETTA       | CHECK VALVE            |                                       |
|                     |                        | 0CK323          | 1         | 131                 | BOCCOLA IGUS                    | BUSH IGUS              |                                       |
|                     |                        | 0CK119          | 2         |                     | GUARN. CANDELINA ACC.NE         | IGNITION ROD GASKET    |                                       |
|                     |                        | 0CK115          | 2         |                     | GUARNIZIONE BRUCIATORE          | BURNER GASKET          |                                       |
|                     |                        | 0CK116          | 2         |                     | GUARNIZIONE BRUCIATORE          | BURNER GASKET          |                                       |
|                     |                        | 0CK143          | 1         | 111                 | MECCANISMO CHIUSURA PORTA       | CLOSING MECHANISM      |                                       |
|                     |                        | 0CK087          | 1         | 313                 | CILINDRO PASTIGLIE              | CYLINDER FOR TABS      |                                       |
|                     |                        | 0CK322          | 1         | 357                 | ASSIEME TAPPO SERBATOIO CHIMICA | CUP TANK ASSEMBLY      |                                       |
| <b>0CK365</b>       | <b>SKL OV PM KIT 6</b> |                 |           |                     |                                 |                        | <b>6 GN 2/1 - BOILER/ BOILERLESS</b>  |
|                     |                        | 0CK121          | 1         | 115                 | GUARNIZIONE CELLA-PORTA         | DOOR GASKET            |                                       |
|                     |                        | 0CK226          | 1         | 118                 | FILTRO ARIA                     | AIR FILTER             |                                       |
|                     |                        | 0CK195          | 1         | 125                 | VALVOLA SCARICO VASCHETTA       | CHECK VALVE            |                                       |
|                     |                        | 0CK323          | 1         | 131                 | BOCCOLA IGUS                    | BUSH IGUS              |                                       |
|                     |                        | 0CK119          | 2         |                     | GUARN. CANDELINA ACC.NE         | IGNITION ROD GASKET    |                                       |
|                     |                        | 0CK115          | 2         |                     | GUARNIZIONE BRUCIATORE          | BURNER GASKET          |                                       |
|                     |                        | 0CK116          | 2         |                     | GUARNIZIONE BRUCIATORE          | BURNER GASKET          |                                       |
|                     |                        | 0CK143          | 1         | 111                 | MECCANISMO CHIUSURA PORTA       | CLOSING MECHANISM      |                                       |
|                     |                        | 0CK087          | 1         | 313                 | CILINDRO PASTIGLIE              | CYLINDER FOR TABS      |                                       |
|                     |                        | 0CK322          | 1         | 357                 | ASSIEME TAPPO SERBATOIO CHIMICA | CUP TANK ASSEMBLY      |                                       |
| <b>0CK366</b>       | <b>SKL OV PM KIT 7</b> |                 |           |                     |                                 |                        | <b>6 GN 1/1 - BOILER/ BOILERLESS</b>  |
|                     |                        | 0CK222          | 1         | 115                 | GUARNIZIONE CELLA-PORTA         | DOOR GASKET            |                                       |
|                     |                        | 0CK226          | 1         | 118                 | FILTRO ARIA                     | AIR FILTER             |                                       |
|                     |                        | 0CK195          | 1         | 125                 | VALVOLA SCARICO VASCHETTA       | CHECK VALVE            |                                       |
|                     |                        | 0CK323          | 1         | 131                 | BOCCOLA IGUS                    | BUSH IGUS              |                                       |
|                     |                        | 0CK119          | 2         |                     | GUARN. CANDELINA ACC.NE         | IGNITION ROD GASKET    |                                       |
|                     |                        | 0CK115          | 2         |                     | GUARNIZIONE BRUCIATORE          | BURNER GASKET          |                                       |
|                     |                        | 0CK116          | 2         |                     | GUARNIZIONE BRUCIATORE          | BURNER GASKET          |                                       |
|                     |                        | 0CK143          | 1         | 111                 | MECCANISMO CHIUSURA PORTA       | CLOSING MECHANISM      |                                       |
|                     |                        | 0CK087          | 1         | 313                 | CILINDRO PASTIGLIE              | CYLINDER FOR TABS      |                                       |
|                     |                        | 0CK322          | 1         | 357                 | ASSIEME TAPPO SERBATOIO CHIMICA | CUP TANK ASSEMBLY      |                                       |



SKYLINE – KIT DI MANUTENZIONE – MAINTENANCE KIT

| Spare Part Code KIT | Description KIT         | Spare Part Code | S.P. Q.ty | Spare part position | Descrizione Spare part          | Spare part Description         | Ref./Note                             |
|---------------------|-------------------------|-----------------|-----------|---------------------|---------------------------------|--------------------------------|---------------------------------------|
| <b>0CK367</b>       | <b>SKL OV PM KIT 8</b>  |                 |           |                     |                                 |                                | <b>10 GN 2/1 - BOILER/ BOILERLESS</b> |
|                     |                         | 0CK223          | 1         | 115                 | GUARNIZIONE CELLA-PORTA         | DOOR GASKET                    |                                       |
|                     |                         | 0CK226          | 1         | 118                 | FILTRO ARIA                     | AIR FILTER                     |                                       |
|                     |                         | 0CK195          | 1         | 125                 | VALVOLA SCARICO VASCHETTA       | CHECK VALVE                    |                                       |
|                     |                         | 0CK323          | 1         | 131                 | BOCCOLA IGUS                    | BUSH IGUS                      |                                       |
|                     |                         | 0CK119          | 2         |                     | GUARN. CANDELINA ACC.NE         | IGNITION ROD GASKET            |                                       |
|                     |                         | 0CK115          | 2         |                     | GUARNIZIONE BRUCIATORE          | BURNER GASKET                  |                                       |
|                     |                         | 0CK116          | 2         |                     | GUARNIZIONE BRUCIATORE          | BURNER GASKET                  |                                       |
|                     |                         | 0CK143          | 1         | 111                 | MECCANISMO CHIUSURA PORTA       | CLOSING MECHANISM              |                                       |
|                     |                         | 0CK087          | 1         | 313                 | CILINDRO PASTIGLIE              | CYLINDER FOR TABS              |                                       |
|                     |                         | 0CK322          | 1         | 357                 | ASSIEME TAPPO SERBATOIO CHIMICA | CUP TANK ASSEMBLY              |                                       |
|                     |                         |                 |           |                     |                                 |                                |                                       |
| <b>0CK376</b>       | <b>SKL OV PM KIT 17</b> |                 |           |                     |                                 |                                | <b>10 GN 1/1 - BOILER/ BOILERLESS</b> |
|                     |                         | 0CK120          | 1         | 115                 | GUARNIZIONE CELLA-PORTA         | DOOR GASKET                    |                                       |
|                     |                         | 0CK226          | 1         | 118                 | FILTRO ARIA                     | AIR FILTER                     |                                       |
|                     |                         | 0CK195          | 1         | 125                 | VALVOLA SCARICO VASCHETTA       | CHECK VALVE                    |                                       |
|                     |                         | 0CK323          | 1         | 131                 | BOCCOLA IGUS                    | BUSH IGUS                      |                                       |
|                     |                         | 0CK193          | 1         | 329                 | VALVOLA MOTORIZZATA             | MOTORIZED BALL VALVE           |                                       |
|                     |                         | 0CK119          | 2         |                     | GUARN. CANDELINA ACC.NE         | IGNITION ROD GASKET            |                                       |
|                     |                         | 0CK115          | 2         |                     | GUARNIZIONE BRUCIATORE          | BURNER GASKET                  |                                       |
|                     |                         | 0CK116          | 2         |                     | GUARNIZIONE BRUCIATORE          | BURNER GASKET                  |                                       |
|                     |                         | 0CK156          | 1         | 300                 | POMPA LAVAGGIO 220-240V 50/60HZ | CLEANING PUMP 220-240V 50/60HZ |                                       |
| <b>0CK377</b>       | <b>SKL OV PM KIT 18</b> |                 |           |                     |                                 |                                | <b>6 GN 2/1 - BOILER/ BOILERLESS</b>  |
|                     |                         | 0CK121          | 1         | 115                 | GUARNIZIONE CELLA-PORTA         | DOOR GASKET                    |                                       |
|                     |                         | 0CK226          | 1         | 118                 | FILTRO ARIA                     | AIR FILTER                     |                                       |
|                     |                         | 0CK195          | 1         | 125                 | VALVOLA SCARICO VASCHETTA       | CHECK VALVE                    |                                       |
|                     |                         | 0CK323          | 1         | 131                 | BOCCOLA IGUS                    | BUSH IGUS                      |                                       |
|                     |                         | 0CK193          | 1         | 329                 | VALVOLA MOTORIZZATA             | MOTORIZED BALL VALVE           |                                       |
|                     |                         | 0CK119          | 2         |                     | GUARN. CANDELINA ACC.NE         | IGNITION ROD GASKET            |                                       |
|                     |                         | 0CK115          | 2         |                     | GUARNIZIONE BRUCIATORE          | BURNER GASKET                  |                                       |
|                     |                         | 0CK116          | 2         |                     | GUARNIZIONE BRUCIATORE          | BURNER GASKET                  |                                       |
|                     |                         | 0CK156          | 1         | 300                 | POMPA LAVAGGIO 220-240V 50/60HZ | CLEANING PUMP 220-240V 50/60HZ |                                       |

SKYLINE – KIT DI MANUTENZIONE – MAINTENANCE KIT

| Spare Part Code KIT | Description KIT         | Spare Part Code | S.P. Q.ty | Spare part position | Descrizione Spare part          | Spare part Description         | Ref./Note                             |
|---------------------|-------------------------|-----------------|-----------|---------------------|---------------------------------|--------------------------------|---------------------------------------|
| <b>0CK378</b>       | <b>SKL OV PM KIT 19</b> |                 |           |                     |                                 |                                | <b>6 GN 1/1 - BOILER/ BOILERLESS</b>  |
|                     |                         | 0CK222          | 1         | 115                 | GUARNIZIONE CELLA-PORTA         | DOOR GASKET                    |                                       |
|                     |                         | 0CK226          | 1         | 118                 | FILTRO ARIA                     | AIR FILTER                     |                                       |
|                     |                         | 0CK195          | 1         | 125                 | VALVOLA SCARICO VASCHETTA       | CHECK VALVE                    |                                       |
|                     |                         | 0CK323          | 1         | 131                 | BOCCOLA IGUS                    | BUSH IGUS                      |                                       |
|                     |                         | 0CK193          | 1         | 329                 | VALVOLA MOTORIZZATA             | MOTORIZED BALL VALVE           |                                       |
|                     |                         | 0CK119          | 2         |                     | GUARN. CANDELINA ACC.NE         | IGNITION ROD GASKET            |                                       |
|                     |                         | 0CK115          | 2         |                     | GUARNIZIONE BRUCIATORE          | BURNER GASKET                  |                                       |
|                     |                         | 0CK116          | 2         |                     | GUARNIZIONE BRUCIATORE          | BURNER GASKET                  |                                       |
|                     |                         | 0CK156          | 1         | 300                 | POMPA LAVAGGIO 220-240V 50/60HZ | CLEANING PUMP 220-240V 50/60HZ |                                       |
| <b>0CK379</b>       | <b>SKL OV PM KIT 20</b> |                 |           |                     |                                 |                                | <b>10 GN 2/1 - BOILER/ BOILERLESS</b> |
|                     |                         | 0CK223          | 1         | 115                 | GUARNIZIONE CELLA-PORTA         | DOOR GASKET                    |                                       |
|                     |                         | 0CK226          | 1         | 118                 | FILTRO ARIA                     | AIR FILTER                     |                                       |
|                     |                         | 0CK195          | 1         | 125                 | VALVOLA SCARICO VASCHETTA       | CHECK VALVE                    |                                       |
|                     |                         | 0CK323          | 1         | 131                 | BOCCOLA IGUS                    | BUSH IGUS                      |                                       |
|                     |                         | 0CK193          | 1         | 329                 | VALVOLA MOTORIZZATA             | MOTORIZED BALL VALVE           |                                       |
|                     |                         | 0CK119          | 2         |                     | GUARN. CANDELINA ACC.NE         | IGNITION ROD GASKET            |                                       |
|                     |                         | 0CK115          | 2         |                     | GUARNIZIONE BRUCIATORE          | BURNER GASKET                  |                                       |
|                     |                         | 0CK116          | 2         |                     | GUARNIZIONE BRUCIATORE          | BURNER GASKET                  |                                       |
|                     |                         | 0CK156          | 1         | 300                 | POMPA LAVAGGIO 220-240V 50/60HZ | CLEANING PUMP 220-240V 50/60HZ |                                       |



Electrolux Professional SPA  
Viale Treviso 15  
33170 Pordenone  
[www.electrolux-professional.com](http://www.electrolux-professional.com)

NordCap GmbH & Co. KG  
Thalenhorststraße 15  
28307 Bremen  
Hauptsitz (Service, Finanzen & Personal, Lager, IT, Marketing)

Telefon: +49 421 48557-0  
Telefax: +49 421 488650  
E-Mail: [bremen@nordcap.de](mailto:bremen@nordcap.de)

Die NordCap Verkaufsniederlassungen in Deutschland:

Nord: Hamburg • Ost: Berlin • Süd: Ingelheim • West: Erkrath

by **NordCap**<sup>®</sup>

**ZANUSSI**  
PROFESSIONAL