

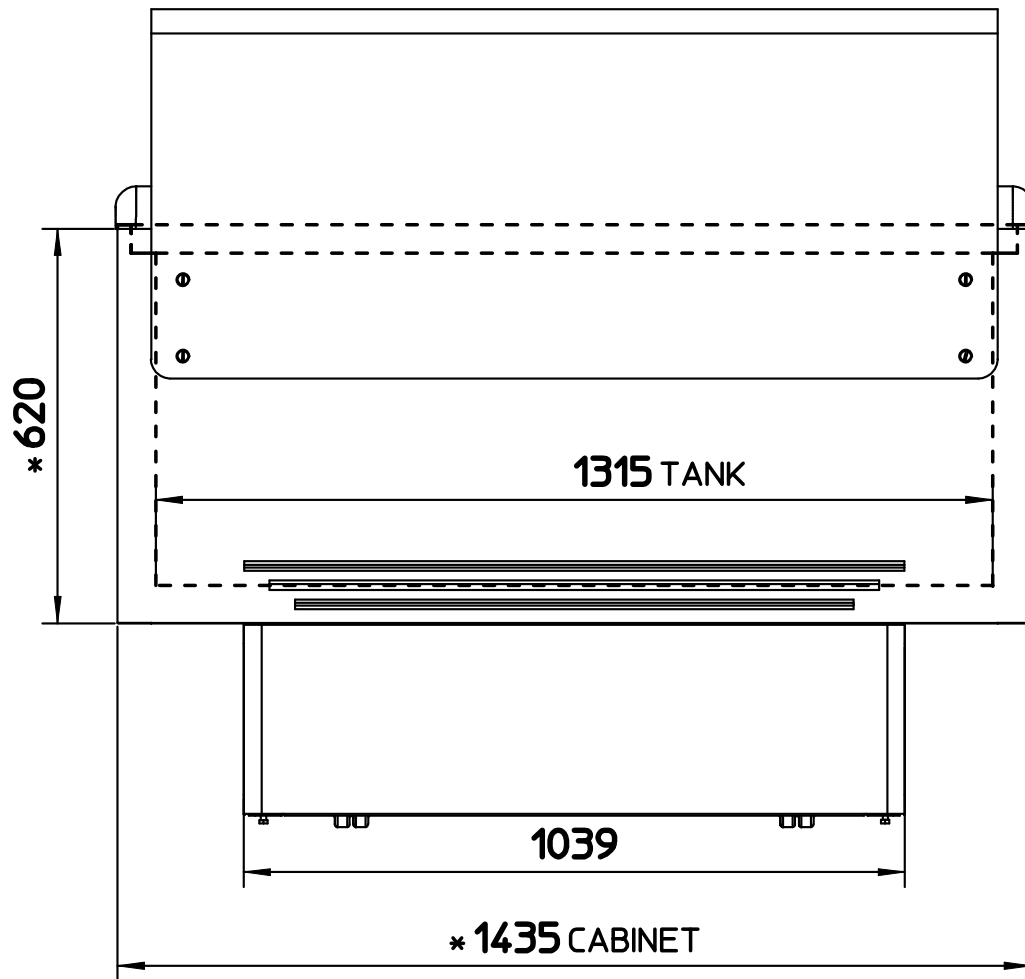
Masszeichnung

Speiseeisvitrine DOLCHE VITA 10-LX

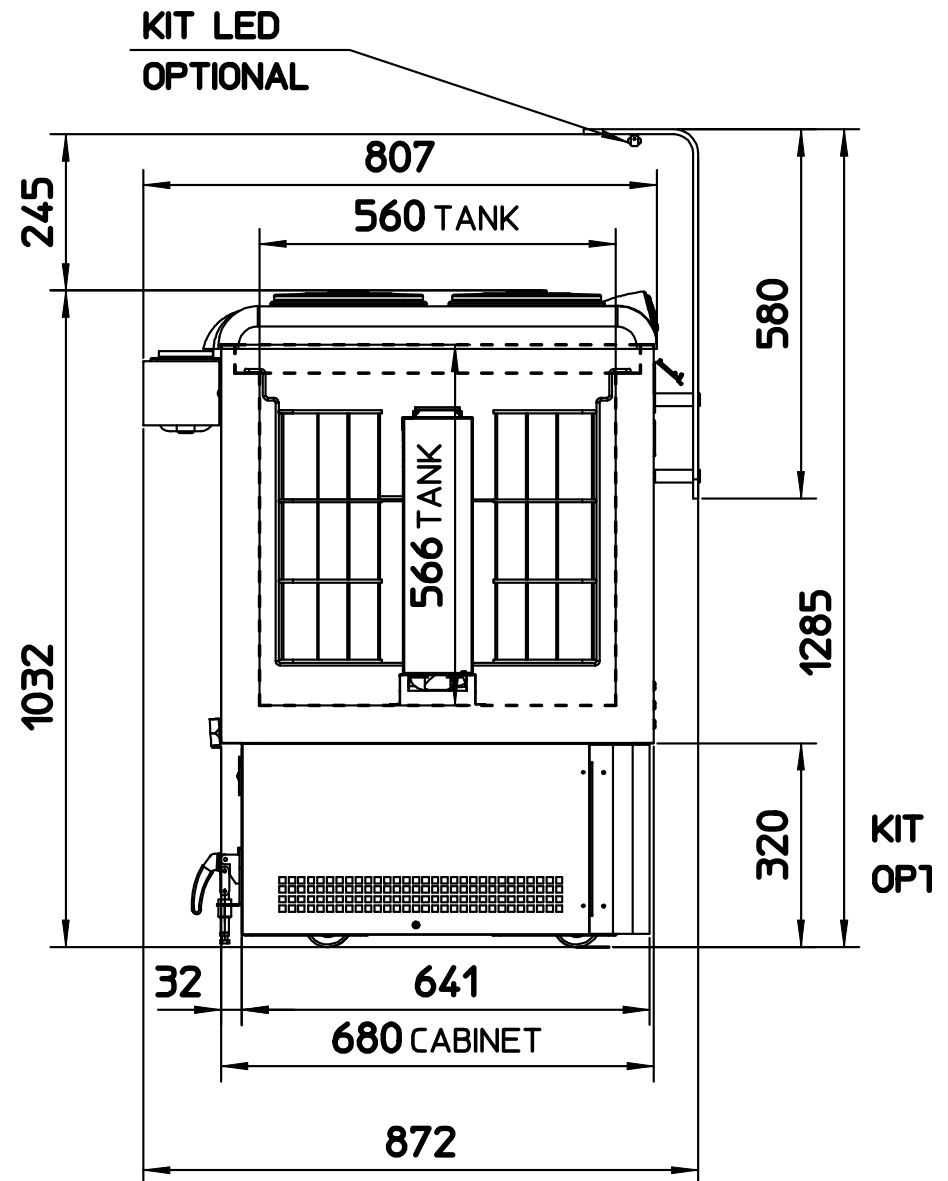
[Art. 46543690300]

NordCap®

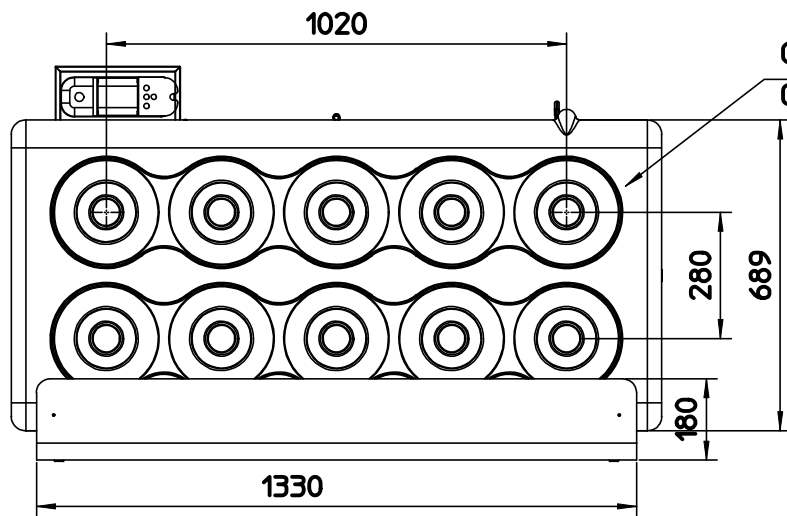
PROFESSIONELL KÜHLEN



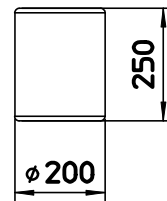
*CUSTOMIZATION AREA



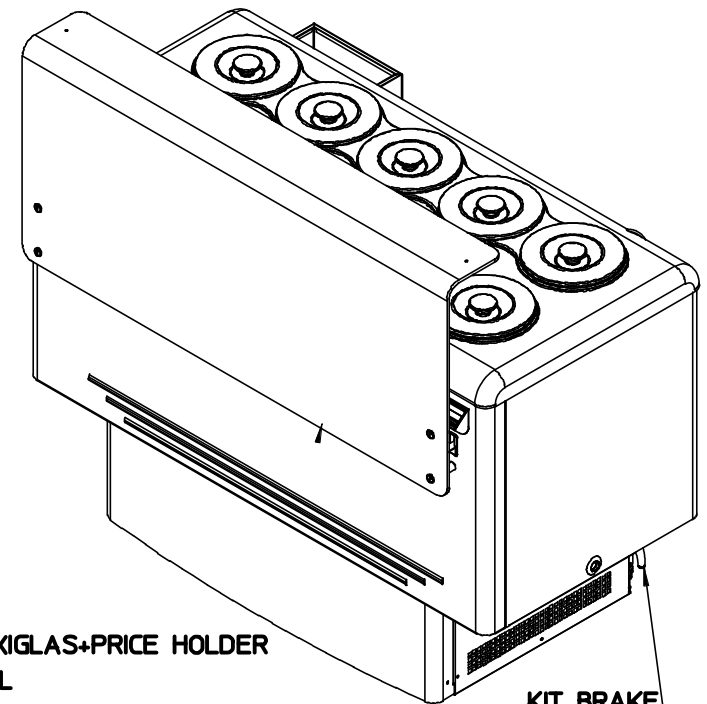
MAX DIMENSION	mm	1435x807x1030 h
MAX DIMENSION WITH OPTIONAL	mm	1435x872x1285 h
GROSS CAPACITY	dmc	410
NET CAPACITY	dmc	355
NET WEIGHT	kg	**
GROSS WEIGHT	Kg	**
PACKED DIMENSION	mm	1505x780x1117 h



ONLY FOR ICE CREAM
CONTAINERS DIAMETER 200



N° 10+10 (STORAGE)
ICE CREAM CONTAINERS



KIT PLEXIGLAS+PRICE HOLDER
OPTIONAL

KIT BRAKE
OPTIONAL