

Ersatzteilliste-Explosionszeichnung

Elektro-Bratplatte **EBP7 / V1HUO**

[Artikel-Nr.: 406372196]



FRYTOP E700XP FRYTOP E700XP

PNC	Model	Ref	Brand	Version	Notes
371033	E7FTGDSSO0	a	ELX	GAS	SMOOTH PLATE + OPEN BASE 400
371034	E7FTGDSRO0	b	ELX	GAS	RIBBED PLATE + OPEN BASE 400
371035	E7FTGHSSO0	c	ELX	GAS	SMOOTH PLATE + OPEN BASE 800
371036	E7FTGHSP00	d	ELX	GAS	SMOOTH + RIBBED PLATE + OPEN BASE 800
371039	E7FTGDSCO0	e	ELX	GAS	SMOOTH CHROME PLATE + OPEN BASE 400
371040	E7FTGHSCO0	f	ELX	GAS	SMOOTH CHROME PLATE + OPEN BASE 800
371052	E7FTEDSSO0	g	ELX	EL	SMOOTH PLATE + OPEN BASE 400
371053	E7FTEDSRO0	h	ELX	EL	RIBBED PLATE + OPEN BASE 400
371054	E7FTEHSSO0	i	ELX	EL	SMOOTH PLATE + OPEN BASE 800
371055	E7FTEHSP00	l	ELX	EL	SMOOTH + RIBBED PLATE + BASE 800
371059	E7FTEDSCO0	m	ELX	EL	SMOOTH CHROME PLATE + BASE 400
371060	E7FTEHSCO0	n	ELX	EL	SMOOTH CHROME PLATE + BASE 800
372033	Z7FTGDSSO0	o	ZAN	GAS	SMOOTH PLATE + OPEN BASE 400
372034	Z7FTGDSRO0	p	ZAN	GAS	RIBBED PLATE + OPEN BASE 400
372035	Z7FTGHSSO0	q	ZAN	GAS	SMOOTH PLATE + OPEN BASE 800
372036	Z7FTGHSP00	r	ZAN	GAS	SMOOTH + RIBBED PLATE + OPEN BASE 800
372039	Z7FTGDSCO0	s	ZAN	GAS	SMOOTH CHROME PLATE + OPEN BASE 400
372040	Z7FTGHSCO0	t	ZAN	GAS	SMOOTH CHROME PLATE + OPEN BASE 800
372052	Z7FTEDSSO0	u	ZAN	EL	SMOOTH PLATE + OPEN BASE 400
372053	Z7FTEDSRO0	v	ZAN	EL	RIBBED PLATE + OPEN BASE 400
372054	Z7FTEHSSO0	z	ZAN	EL	SMOOTH PLATE + OPEN BASE 800
372055	Z7FTEHSP00	a1	ZAN	EL	SMOOTH + RIBBED PLATE + BASE 800
372059	Z7FTEDSCO0	b1	ZAN	EL	SMOOTH CHROME PLATE + BASE 400
372060	Z7FTEHSCO0	c1	ZAN	EL	SMOOTH CHROME PLATE + BASE 800

Index

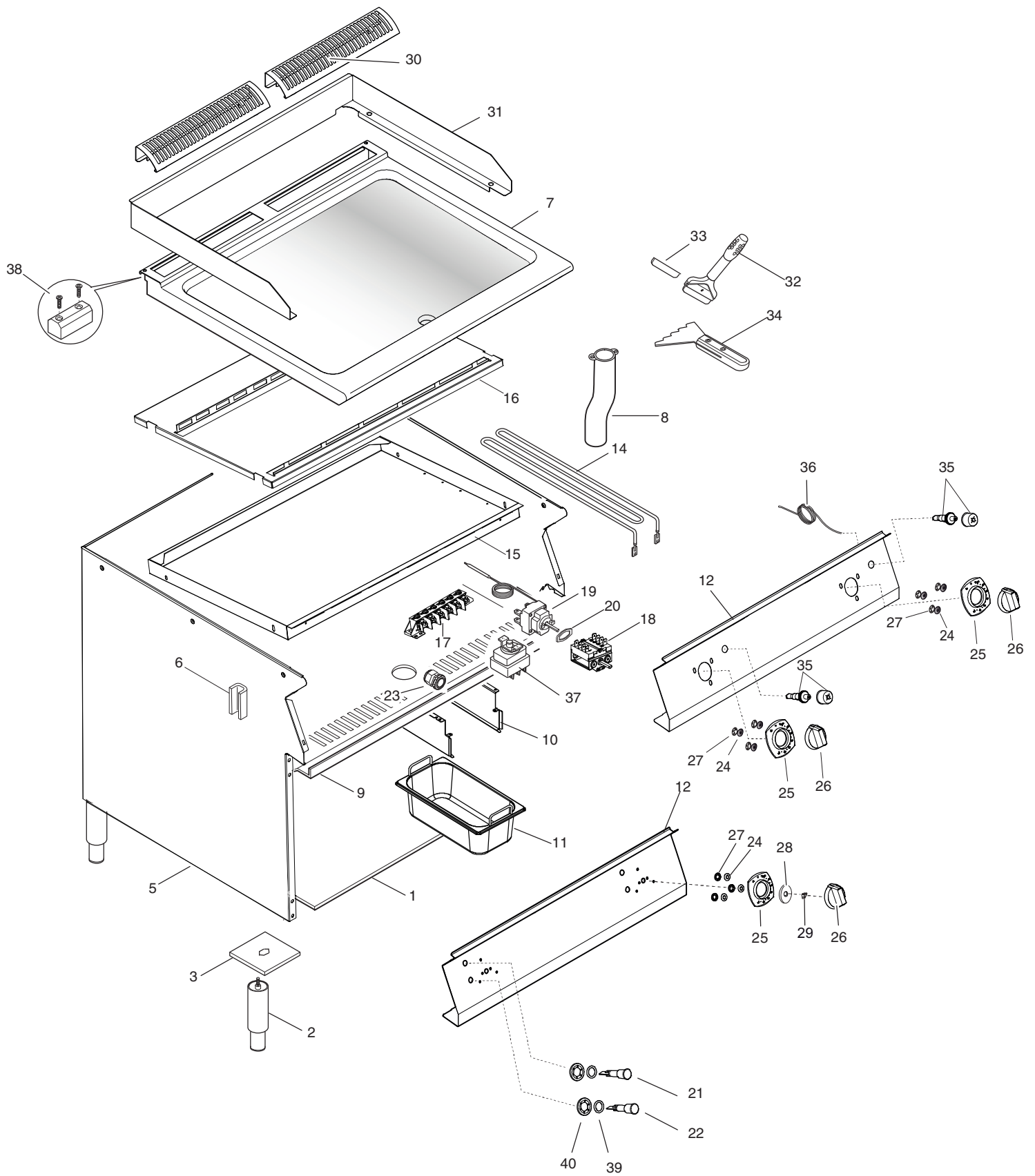
General components / Componenti struttura
Gas components / Componenti gas
Nozzles tables / Tabelle ugelli
Spare parts list / Lista ricambi

Page

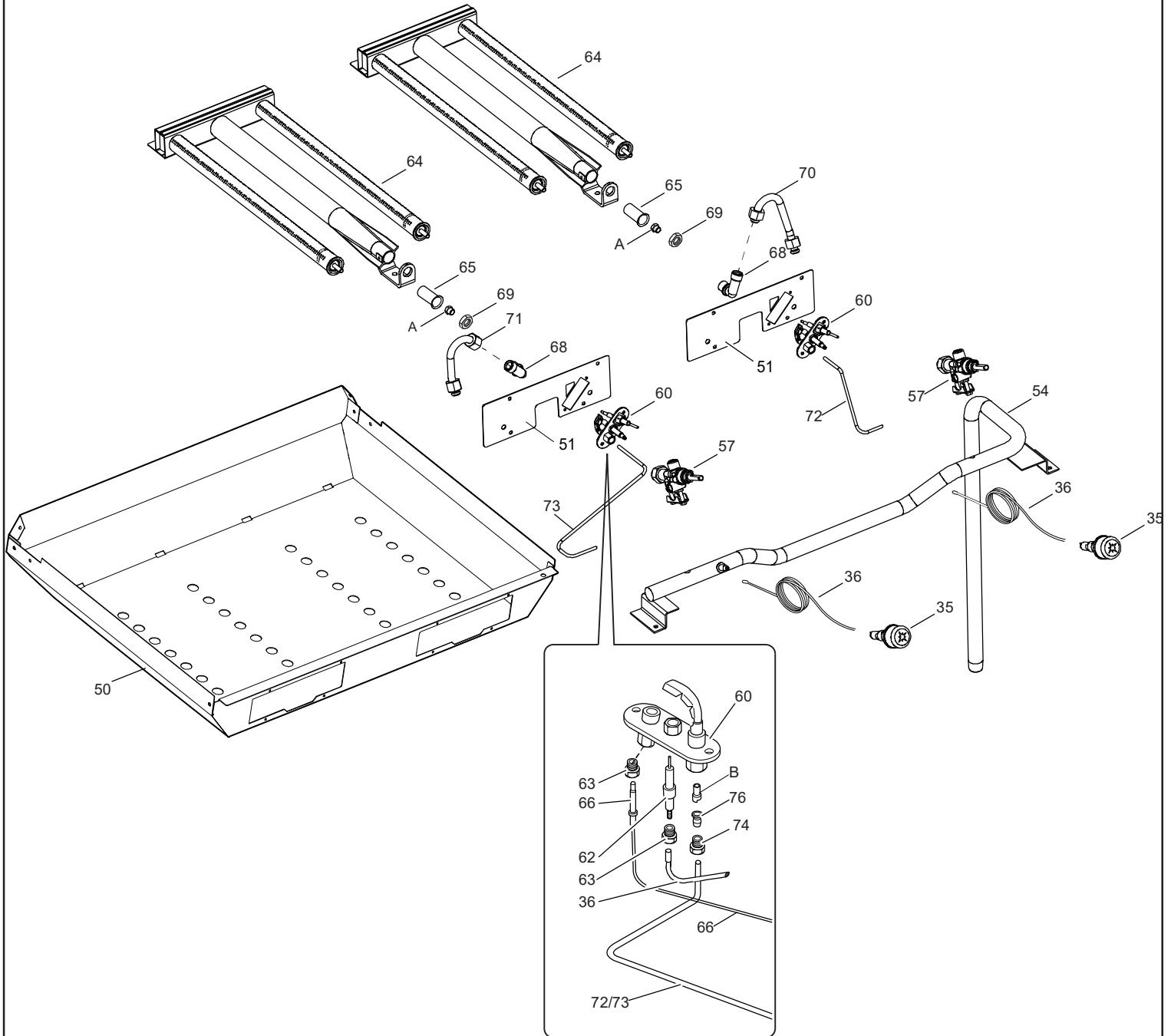
2
3-4
5
6-8

Rev. 4

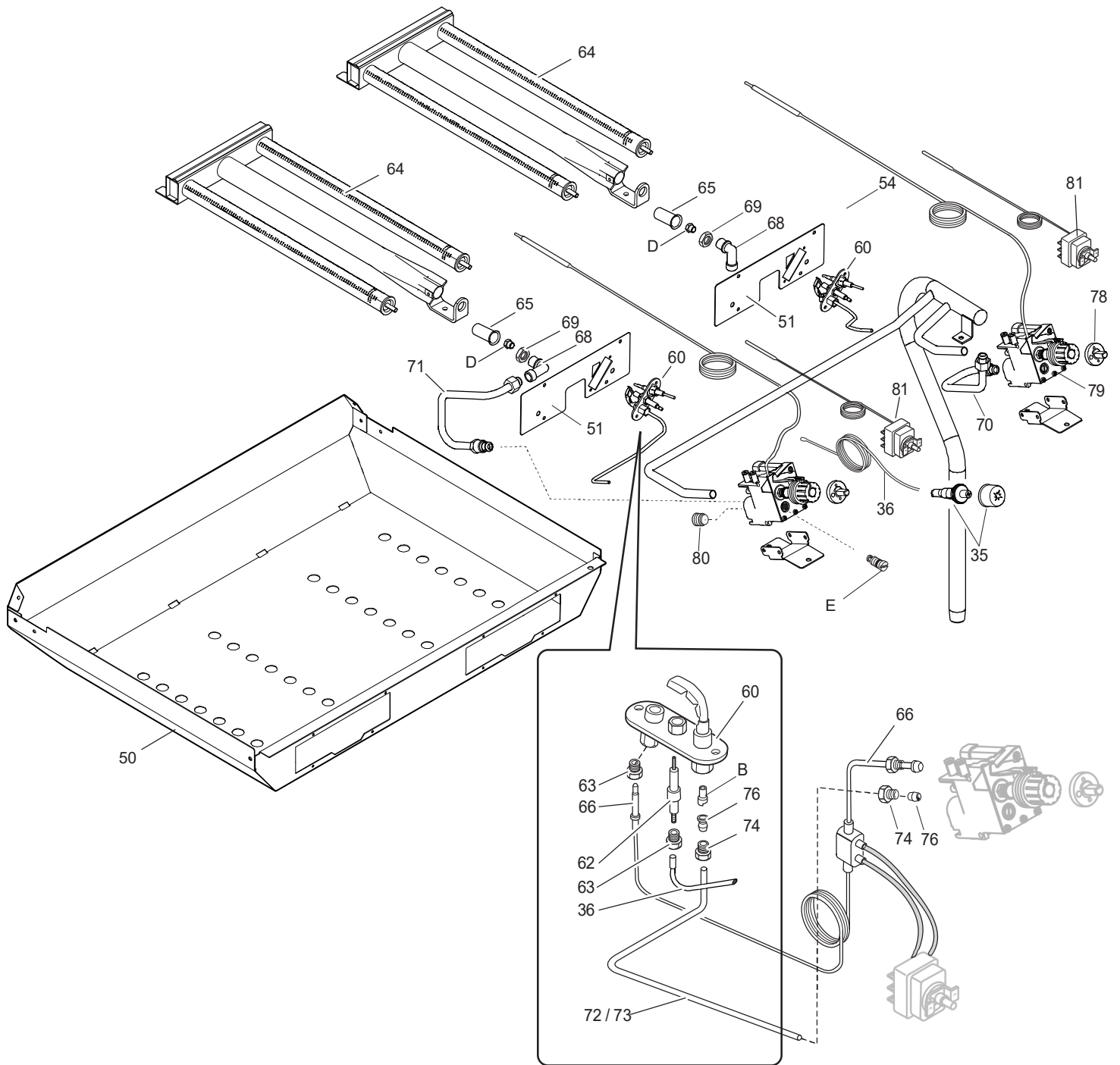
Bold=last change / Grassetto =ultima modifica



Mild steel plate - Piastra ferro



Chrome plate - Piastra cromo



A - Ugello bruciatore / Burner nozzle			
6DGT Code	Ref. / Notes		
0A2533	ø1.35	3+3B/P	G30 30mbar
002393	ø1.30	3B/P	G30 37mbar
0A2650	ø1.20	3B/P	G30 50mbar
0A2102	ø2.00	2H/2E+	G20 20mbar
A05176400	ø1.85	2H	G20 25mbar
058335	Ø2.05	2L	G25 25mbar
0A2301	ø1.95	2K	G25.3 25mbar
0A2083	ø2.20	2ELL	G25 20mbar
059418	ø2.15	2S	G25.1 25mbar
0A2306	ø4.00	No CE	G110 8mbar

B - Ugello pilota / Pilot nozzle			
6DGT Code	Ref. / Notes		
059216	n°14	3+3B/P	G30 30mbar
059216	n°14	3B/P	G30 37mbar
059216	n°14	3B/P	G30 50mbar
059215	n°27	2H/2E+	G20 20mbar
059215	n°27	2H	G20 25mbar
059215	n°27	2L	G25 25mbar
059215	n°27	2K	G25.3 25mbar
059215	n°27	2ELL	G25 20mbar
059215	n°27	2S	G25.1 25mbar
059356	n°50	No CE	G110 8mbar

C - Vite di minimo / Min screw			
6DGT Code	Ref. / Notes		
004595	n°100	3+3B/P	G30 30mbar
004595	n°100	3B/P	G30 37mbar
002926	n°90	3B/P	G30 50mbar
002994	n°145	2H/2E+	G20 20mbar
002994	n°145	2H	G20 25mbar
002994	n°145	2L	G25 25mbar
002994	n°145	2K	G25.3 25mbar
002994	n°145	2ELL	G25 20mbar
002994	n°145	2S	G25.1 25mbar
/	adjust	No CE	G110 8mbar

D - Ugello bruciatore Crh / Burner nozzle Crh			
6DGT Code	Ref. / Notes		
0A2533	ø1.35	3+3B/P	G30 30mbar
002393	ø1.30	3B/P	G30 37mbar
0A2650	ø1.20	3B/P	G30 50mbar
0A2102	ø2.00	2H/2E+	G20 20mbar
A05176400	ø1.85	2H	G20 25mbar
058335	ø2.05	2L	G25 25mbar
0A2102	ø2.00	2K	G25.3 25mbar
0A2083	ø2.20	2ELL	G25 20mbar
059418	ø2.15	2S	G25.1 25mbar
002979	ø3.80	No CE	G110 8mbar

E - Vite di minimo Crh/ Min screw Crh			
6DGT Code	Ref. / Notes		
003321	n°110	3+3B/P	G30 30mbar
004602	n°100	3B/P	G30 37mbar
0C2987	n°90	3B/P	G30 50mbar
0A5422	n°160	2H/2E+	G20 20mbar
003159	n°140	2H	G20 25mbar
0A5422	n°160	2L	G25 25mbar
0A5422	n°160	2K	G25.3 25mbar
0A5422	n°160	2ELL	G25 20mbar
0A5422	n°160	2S	G25.1 25mbar
/	adjus	No CE	G110 8mbar

FRYTOP E700XP
FRYTOP E700XP

Pos	Factory Code	Spare Code	Descrizione	Description	Ref./Notes
			Pagina 2	Page 2	
1	0532824600	*	FONDO 400 mm	BOTTOM PANEL 400 mm	
1	0532824700	*	FONDO 800 mm	BOTTOM PANEL 800 mm	
2	0835856901	0C0204	PIEDE	FOOT	
3	0508898900	0C0122	PIASTRA DI RNFORZO		
5	085089FD01	0CA749	RIVESTIMENTO LATERALE 400 mm	EXTERNAL PANEL 400 mm	ELX
5	085089FH01	0CB087	RIVESTIMENTO LATERALE 400 mm	EXTERNAL PANEL 400 mm	ZAN
5	085089FF01	0C8598	RIVESTIMENTO LATERALE 800 mm	EXTERNAL PANEL 800 mm	ELX
5	085089FJ01	0CA950	RIVESTIMENTO LATERALE 800 mm	EXTERNAL PANEL 800 mm	ZAN
6	0527850500	0C0156	PIASTRA FISSAGGIO FIANCHI	SIDE PANEL JOINTING PLATE	
7	087089DL00	0C7913	RIP. PIASTRA FERRO LISCIO 400mm	SHELF, SMOOTH PLATE 400 mm	ELX - EL
7	087089DM00	0C7914	RIP. PIASTRA FE. RIGATA 400mm	SHELF, RIBBED PLATE 400 mm	ELX - EL
7	087089DN00	0C7915	RIP. PIASTRA CROMATA 400mm	SHELF, CHROME SMOOTH PLATE 400 mm	ELX - EL
7	087589BR00	0C8264	RIP. PIASTRA FERRO LISCIO 800mm	SHELF, SMOOTH PLATE 800 mm	ELX - EL
7	087089DT01	0C7920	RIP. PIASTRA FE.1/3 RIGATA 800mm	SHELF, 1/3 RIBBED PLATE 800 mm	ELX - EL
7	087089DU00	0C7921	RIP. PIASTRA CROMATA 800mm	SHELF, CHROME SMOOTH PLATE 800 mm	ELX - EL
7	087589BM00	0C8621	RIP. PIASTRA FERRO LISCIO 400mm	SHELF, SMOOTH PLATE 400 mm	ELX - GAS
7	087089DP00	0C7916	RIP. PIASTRA FE. RIGATA 400mm	SHELF, RIBBED PLATE 400 mm	ELX - GAS
7	087089DK00	0C7912	RIP. PIASTRA CROMATA 400mm	SHELF, CHROME SMOOTH PLATE 400 mm	ELX - GAS
7	087589C701	0C8575	RIP. PIASTRA FERRO LISCIO 800mm	SHELF, SMOOTH PLATE 800 mm	ELX - GAS
7	087089DQ01	0C7917	RIP. PIASTRA FE.1/3 RIGATA 800mm	SHELF, 1/3 RIBBED PLATE 800 mm	ELX - GAS
7	087089DR00	0C7918	RIP. PIASTRA CROMATA 800mm	SHELF, CHROME SMOOTH PLATE 800 mm	ELX - GAS
7	087589BQ00	0C8623	RIP. PIASTRA FERRO LISCIO 400mm	SHELF, SMOOTH PLATE 400 mm	ZAN - EL
7	087089JX00	0C8252	RIP. PIASTRA FE. RIGATA 400mm	SHELF, RIBBED PLATE 400 mm	ZAN - EL
7	087089JZ00	0C8253	RIP. PIASTRA CROMATA 400mm	SHELF, CHROME SMOOTH PLATE 400 mm	ZAN - EL
7	087589BS00	0C8265	RIP. PIASTRA FERRO LISCIO 800mm	SHELF, SMOOTH PLATE 800 mm	ZAN - EL
7	087089KK00	0C8258	RIP. PIASTRA FE.1/3 RIGATA 800mm	SHELF, 1/3 RIBBED PLATE 800 mm	ZAN - EL
7	087089KJ00	0C8257	RIP. PIASTRA CROMATA 800mm	SHELF, CHROME SMOOTH PLATE 800 mm	ZAN - EL
7	087589CN01	0C8584	RIP. PIASTRA FERRO LISCIO 400mm	SHELF, SMOOTH PLATE 400 mm	ZAN - GAS
7	087589CP01	0C8585	RIP. PIASTRA FE. RIGATA 400mm	SHELF, RIBBED PLATE 400 mm	ZAN - GAS
7	087589CR03	0C8587	RIP. PIASTRA CROMATA 400mm	SHELF, CHROME SM. PLATE 400 mm	ZAN - GAS
7	087589CU01	0C8590	RIP. PIASTRA FERRO LISCIO 800mm	SHELF, SMOOTH PLATE 800 mm	ZAN - GAS
7	087589CV01	0C8591	RIP. PIASTRA FE.1/3 RIGATA 800mm	SHELF, 1/3 RIBBED PLATE 800 mm	ZAN - GAS
7	087589CX03	0C8593	RIP. PIASTRA CROMATA 800mm	SHELF, CHROME SMOOTH PLATE 800 mm	ZAN - GAS
8	0806873801	0C6238	TUBO DI SCARICO	DRAIN PIPE	
9	0533886201	*	CIELO VANO 400 mm	BASE TOP 400 mm	EL
9	0533886401	*	CIELO VANO 800 mm	BASE TOP 800 mm	EL
9	0533842701	*	CIELO VANO 400 mm	BASE TOP 400 mm	GAS
9	0533842801	*	CIELO VANO 800 mm	BASE TOP 800 mm	GAS
10	0530884601	0C5188	GUIDA BACINELLA	BASIN RUNNERS	
11	0502888501	004612	BACINELLA	GASTRONORM BASIN	
12	087089D400	0C7904	CRUSCOTTO 400 mm	CONTROL PANEL 400 mm	EL - ELUX
12	087089D500	0C7905	CRUSCOTTO 800 mm	CONTROL PANEL 800 mm	EL - ELUX
12	087089D700	0C7907	CRUSCOTTO 400 mm	CONTROL PANEL 400 mm	GAS - ELUX
12	087089D600	0C7906	CRUSCOTTO 400 mm	CONTROL PANEL 400 mm	GAS CHROME - ELUX
12	087089D900	0C7909	CRUSCOTTO 800 mm	CONTROL PANEL 800 mm	GAS - ELUX
12	087089D800	0C7908	CRUSCOTTO 800 mm	CONTROL PANEL 800 mm	GAS CHROME - ELUX
12	087089JW02	0C8251	CRUSCOTTO 400 mm	CONTROL PANEL 400 mm	EL - ZAN
12	087089KH02	0C8256	CRUSCOTTO 800 mm	CONTROL PANEL 800 mm	EL - ZAN

FRYTOP E700XP
FRYTOP E700XP

Pos	Factory Code	Spare Code	Descrizione	Description	Ref./Notes
12	085089CD03	0C8596	CRUSCOTTO 400 mm	CONTROL PANEL 400 mm	GAS - ZAN
12	087089JN02	0C8250	CRUSCOTTO 400 mm	CONTROL PANEL 400 mm	GAS CHROME - ZAN
12	087089H903	0C8248	CRUSCOTTO 800 mm	CONTROL PANEL 800 mm	GAS - ZAN
12	087089KD02	0C8255	CRUSCOTTO 800 mm	CONTROL PANEL 800 mm	GAS CHROME - ZAN
14	0617817400	004671	RESISTENZA 1500W 230V	HEATING ELEMENT 1500W 230V	
15	0528852104	*	SCATOLA RESISTENZE 400 mm	BOX FOR HEATING ELEM.400 mm	
15	0528852203	0C6981	SCATOLA RESISTENZE 800 mm	BOX FOR HEATING ELEM.800 mm	
16	0528852303	*	CONTRO SCATOLA 400 mm	INNER BOX, HEAT.ELEM.400 mm	
16	0528852403	0C6982	CONTRO SCATOLA 400 mm	INNER BOX, HEAT.ELEM.800 mm	
17	0A05714000	058613	MORSETTIERA DI ALIMENTAZIONE	MAIN TERMINAL BLOCK	
18	0A05400901	0A2134	INTERRUTTORE	SWITCH	
19	0646809500	004363	TERMOSTATO	THERMOSTAT	FE
19	0646817400	0C6234	TERMOSTATO	THERMOSTAT	CHROME
20	0A05414500	0A2205	STAFFA FISSAGGIO	FASTENING PLATE	
21	0876800002	005010	LAMPADA VERDE	GREEN LAMP	
22	0876800102	005011	LAMPADA GIALLA	YELLOW LAMP	
23	0544802300	0C0068	PRESSACAVO	TIGHTNER, CORD	
24	0541813800	0C6171	GUARNIZIONE SILICONE	SILICONE WACHER	
25	0548876T01	0C7332	GHIERA	KNOB RING	ELX
25	0548879Z00	0C7430	GHIERA	KNOB RING	ZAN - EL
25	0548879G00	0C7244	GHIERA	KNOB RING	ZAN - GAS
25	054887A000	0C7661	GHIERA	KNOB RING	ZAN - GAS - CHROME from 2471...
26	0511850D02	0C7330	MANOPOLA	KNOB	ELX
26	0548878101	0C7425	MANOPOLA	KNOB	ZAN - GAS
26	0548878201	0C7232	MANOPOLA	KNOB	ZAN - EL
26	0548878001	0C7180	MANOPOLA	KNOB	ZAN - GAS - CHROME from 5291...
27	0218912211	069567	MOLLETTA PER GHIERA	SPRING, KNOB RING	
28	0543821000	053816	GUARNIZIONE MANOPOLA	GASKET, KNOB	ELECTRIC - ELUX/ZAN
29	0214590701	025245	MOLLETTA PER MANOPOLA	SPRING, KNOB	ELECTRIC - ELUX/ZAN
30	050389LP00	0C7333	GRIGLIA CAMINO	GRATE FOR CHIMNEY	
31	0532806904	0C2964	PARASPRUZZI 400 mm	SPLASHBACK 400mm	
31	0532807104	0C2965	PARASPRUZZI 800 mm	SPLASHBACK 800mm	
32	0805848203	055995	RASCHIETTO PER PIASTRA LISCIA	SCRAPER FOR SMOOTH PLATE	
33	0506887401	056347	LAMA PER RASCHIETTO	BLADE FOR SCRAPER	
34	0830851300	056940	RASCHIETTO PER PIASTRA RIGATA	SCRAPER FOR RIBBED PLATE	
35	0835829600	059251	ACCENDITORE	PIEZOELECTRIC IGNITER	GAS
36	0638883500	006514	CAVO ACCENDITORE	IGNITION CABLE	GAS
37	0646811200	006307	LIMITATORE TEMPERATURA	SAFETY THERMOSTAT	CHROME
38	0516860702	0C0137	PIASTRINA GIUNZIONE	JOINTING REAR PLATE	
39	0543826400	0C2183	OR LAMPADA	OR LAMP	
40	0527815500	0C2184	MOLLETTA FISS. LAMPADA	FIXING SPRING FOR LAMP	
			Pagine 3-4	Pages 3-4	
50	050289D400	0CB125	CAMERA COMBUSTIONE 400mm	COMBUSTION CHAMBER 400mm	
50	050289D300	0CB765	CAMERA COMBUSTIONE 800mm	COMBUSTION CHAMBER 800mm	
51	050589DS00	0CBAEB	CHIUSURA ANTERIORE	FRONT CLOSING PANEL	
54	085589DU00	0C8228	RIBALTA 400mm	GAS MANIFOLD 400mm	
54	085589DT00	0C8227	RIBALTA 800mm	GAS MANIFOLD 800mm	
54	0856802303	0C2968	RIBALTA 400mm VALVOLATO	GAS MANIFOLD 400mm	Chrome plate

FRYTOP E700XP
FRYTOP E700XP

Pos	Factory Code	Spare Code	Descrizione	Description	Ref./Notes
54	085589DV01	0C8229	RIBALTA 800mm VALVOLATO	GAS MANIFOLD 800mm	Chrome plate
57	0835857202	0C0205	RUBINETTO GAS	GAS TAP	Mild steel plate
60	0830884101	0C7102	PILOTA	PILOT BURNER	
62	0830863300	059380	ELETTRODO	ELECTRODE	
63	0214164101	057960	RACCORDO ELETTRODO	PIPE FITTING, ELECTRODE	
64	0830883403	004591	BRUCIATORE	BURNER	
65	0215088100	052062	BOCCOLA REGOL.ARIA	BUSH FOR AIR REGULATION	
66	0830853101	051119	TERMOCOPPIA	THERMOCOUPLE	Mild steel plate
66	0831818901	0C3162	TERMOCOPPIA INTERROTTA	THERMOCOUPLE	Chrome plate
68	0511805801	059375	PORTAUGELLO	NOZZLE HOLDER	
69	0214105101	020997	CONTRODADO	LOCK NUT	
70	0806846001	0C5160	CONDUTTURA GAS 400mm	GAS PIPE 400	Mild steel plate - 400 (rubinetto-bruciatore)
70	0806846802	0C5159	CONDUTTURA GAS DESTRA	GAS PIPE RIGHT SIDE	Mild steel plate - 800 DX (rubinetto-bruciatore)
70	0806846202	0C5162	CONDUTTURA DX GAS VALVOLATO	GAS PIPE RIGHT SIDE	Chrome plate - 400 Chrome plate - 800 DX (valvola-bruciatore)
71	0806846901	0C5163	CONDUTTURA GAS SINISTRA	GAS PIPE LEFT SIDE	Mild steel plate - 800 SX (rubinetto bruciatore)
71	0806846102	0C5161	CONDUTTURA SX GAS VALVOLATO	GAS PIPE LEFT SIDE	Chrome plate - 800 SX (valvola-bruciatore)
72	0517896102	0C5046	CONDUTTURA PILOTA	PILOT GAS PIPE	Mild steel plate - 400 Mild steel plate - 800 DX (rubinetto-pilota)
72	0517896201	0C6236	CONDUTTURA PILOTA	PILOT GAS PIPE	Chrome plate - 400 Chrome plate - 800 DX (valvola-pilota)
73	0517896502	0C5071	COND. PILOTA SINISTRA	PILOT GAS PIPE LEFT SIDE	Mild steel plate - 800 SX (rubinetto-pilota)
73	0517896301	0C6239	COND. PILOTA SINISTRA	PILOT GAS PIPE LEFT SIDE	Chrome plate - 800 SX (valvola-pilota)
74	0214164400	052125	RACCORDO PILOTA	PIPE FITTING, PILOT	
75	0215199700	052127	BICONO PILOTA RUBINETTO	DOUBLE CONE, PILOT GAS TAP	Mild steel plate
76	0517808700	059161	BICONO PILOTA	DOUBLE CONE, PILOT	
78	054887AD00	0C8571	PROLUNGA MANOPOLA	EXTENSION KNOB	Chrome plate
79	0835873700	0C6235	VALVOLA GAS	GAS VALVE	Chrome plate
80	0516865800	0C0625	TAPPO VALVOLA	STOPPER GAS VALVE	Chrome plate
81	0646808600	004600	LIMITATORE TEMPERATURA	SAFETY THERMOSTAT	Chrome plate

Finanzen/Service

28307 Bremen
Thalendorststraße 15
Tel.+49 421 48557-0
Fax+49 421 488650
bremen@nordcap.de

Vertrieb Ost

12681 Berlin
Wolfener Straße 32/34, HausK
Tel.+49 30 936684-0
Fax+49 30 936684-44
berlin@nordcap.de

Vertrieb West

40699 Erkrath
Max-Planck-Straße 30
Tel.+49 211 540054-0
Fax+49 211 540054-54
erkrath@nordcap.de

Vertrieb Nord

21079 Hamburg
Großmoorbogen 5
Tel.+49 40 766183-0
Fax+49 40 770799
hamburg@nordcap.de

Vertrieb Süd

55218 Ingelheim
Hermann-Bopp-Straße 4
Tel.+49 6132 7101-0
Fax+49 6132 7101-20
ingelheim@nordcap.de



www.nordcap.de