

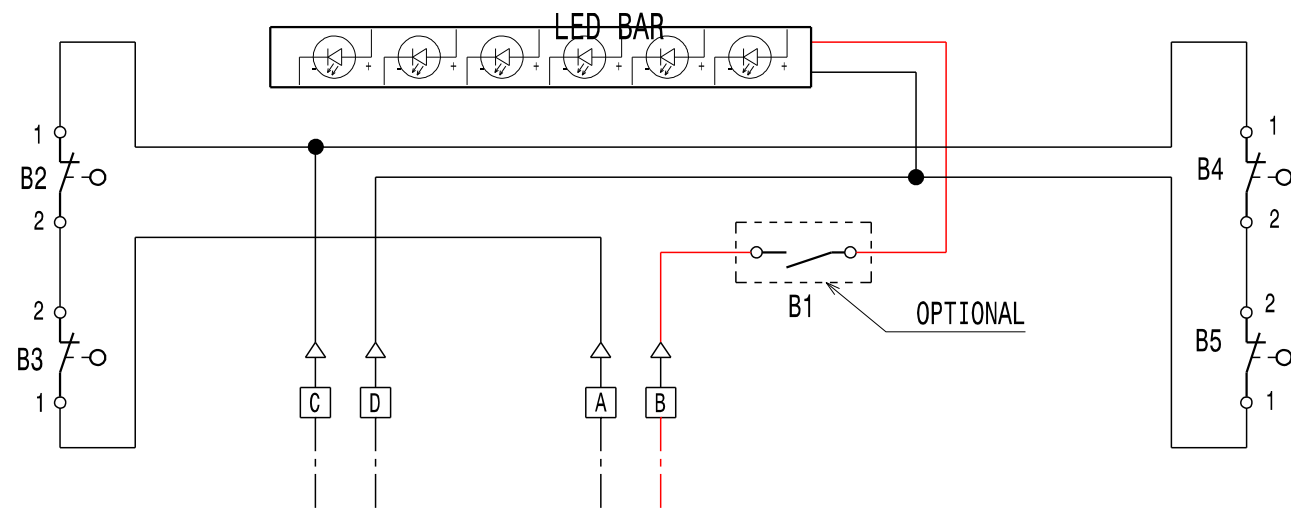
Schaltplan

Warmhaltevitrine **SAFEBOX SG**

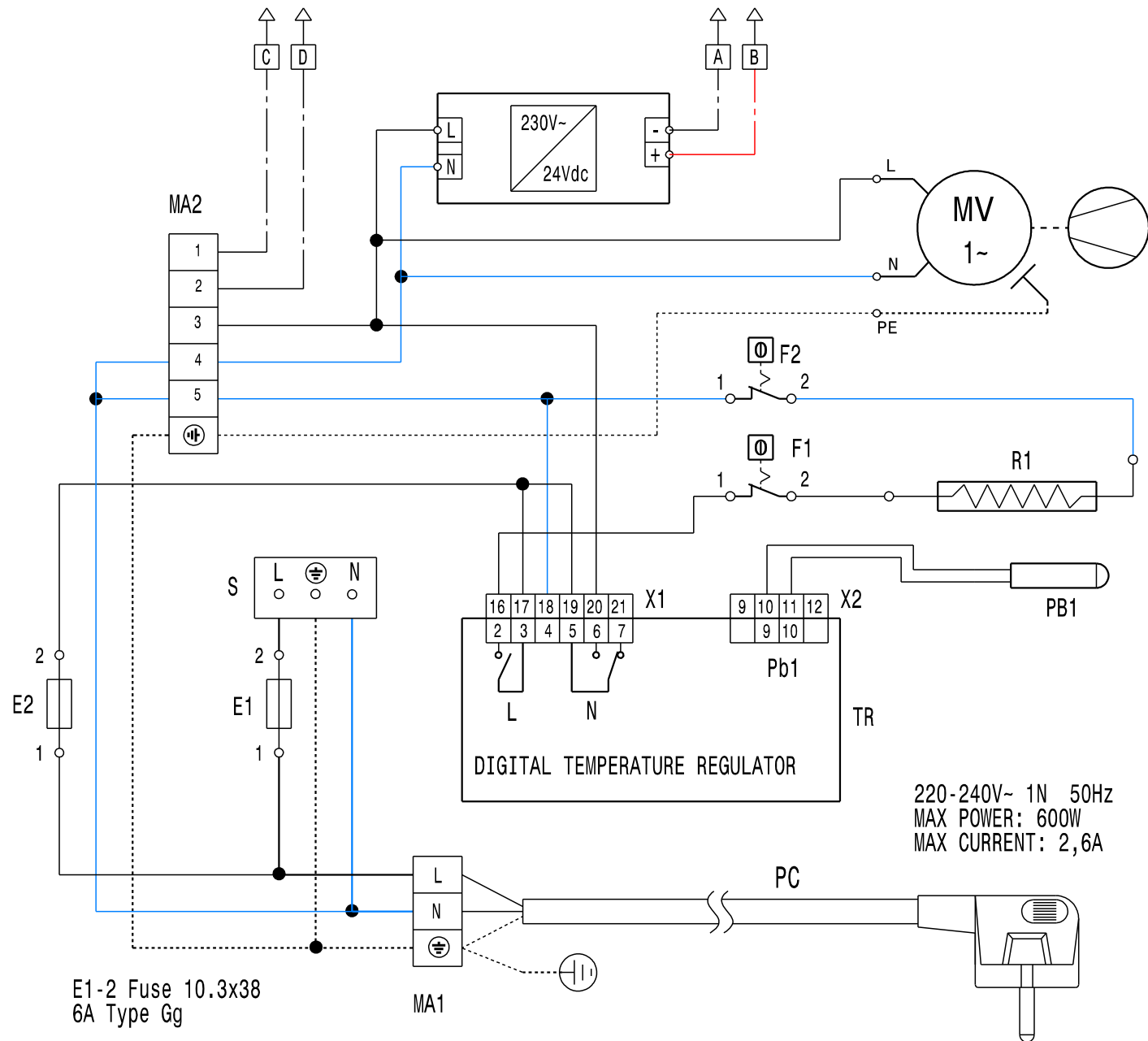
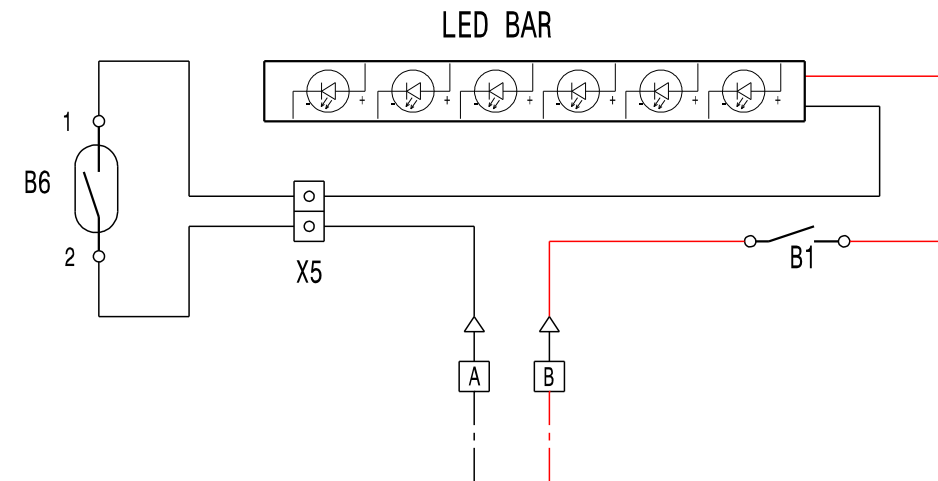
[Art. 435700400]



SAFE BOX SLIDING DOOR



SAFE BOX DROP DOWN DOOR



B1	INTERRUPTORE ON/OFF LED	LED ON/OFF SWITCH
X1-2-5	CONNETTORE	WIRING CONNECTOR
PC	CAVO DI ALIMENTAZIONE	POWER CORD
S	PRESA	SOCKET
E1-E2	FUSIBILE	FUSE
MA1-MA2	MORSETTIERA	TERMINAL BLOCK
PS	ALIMENTATORE 24Vdc	POWER SUPPLY 24Vdc
LED	BARRA LED	LED STRIP
B6	REED MAGNATICO PORTA BASCULANTE	MAGNETIC REED FOR DROP DOWN DOOR
B2-B5	MICROINTERRUTTORI PORTA	DOOR MICROSWITCH
MV	MOTOVENTILATORE	FAN MOTOR
F1-2	TERMOSTATO SICUREZZA	SAFETY THERMOSTAT
R1	RESISTENZA RISCALDAMENTO	HEATING ELEMENT
PB1	SONDA DI TEMPERATURA	TEMPERATURE PROBE
TR	REGOLATORE DI TEMPERATURA	TEMPERATURE REGULATOR

Finanzen/Service
28307 Bremen
Thalenhorststraße 15
Tel.+49 421 48557-0
Fax+49 421 488650
bremen@nordcap.de

Vertrieb Ost
12681 Berlin
Wolfener Straße 32/34, Haus K
Tel.+49 30 936684-0
Fax+49 30 936684-44
berlin@nordcap.de

Vertrieb West
40699 Erkrath
Max-Planck-Straße 30
Tel.+49 211 540054-0
Fax+49 211 540054-54
erkrath@nordcap.de

Vertrieb Nord
21079 Hamburg
Großmoorbogen 5
Tel.+49 40 766183-0
Fax+49 40 770799
hamburg@nordcap.de

Vertrieb Süd
55218 Ingelheim
Hermann-Bopp-Straße 4
Tel.+49 6132 7101-0
Fax+49 6132 7101-20
ingelheim@nordcap.de



www.nordcap.de