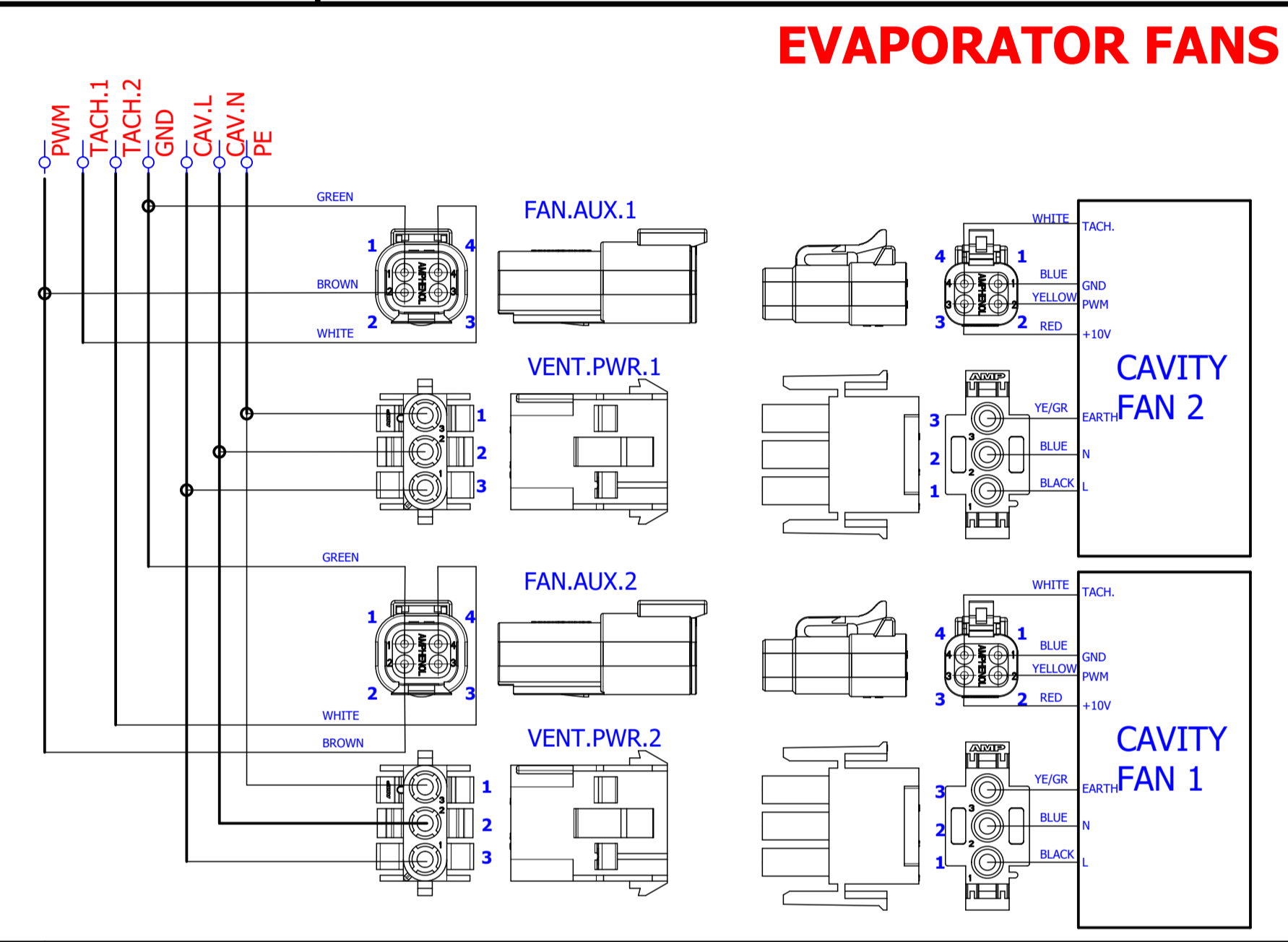
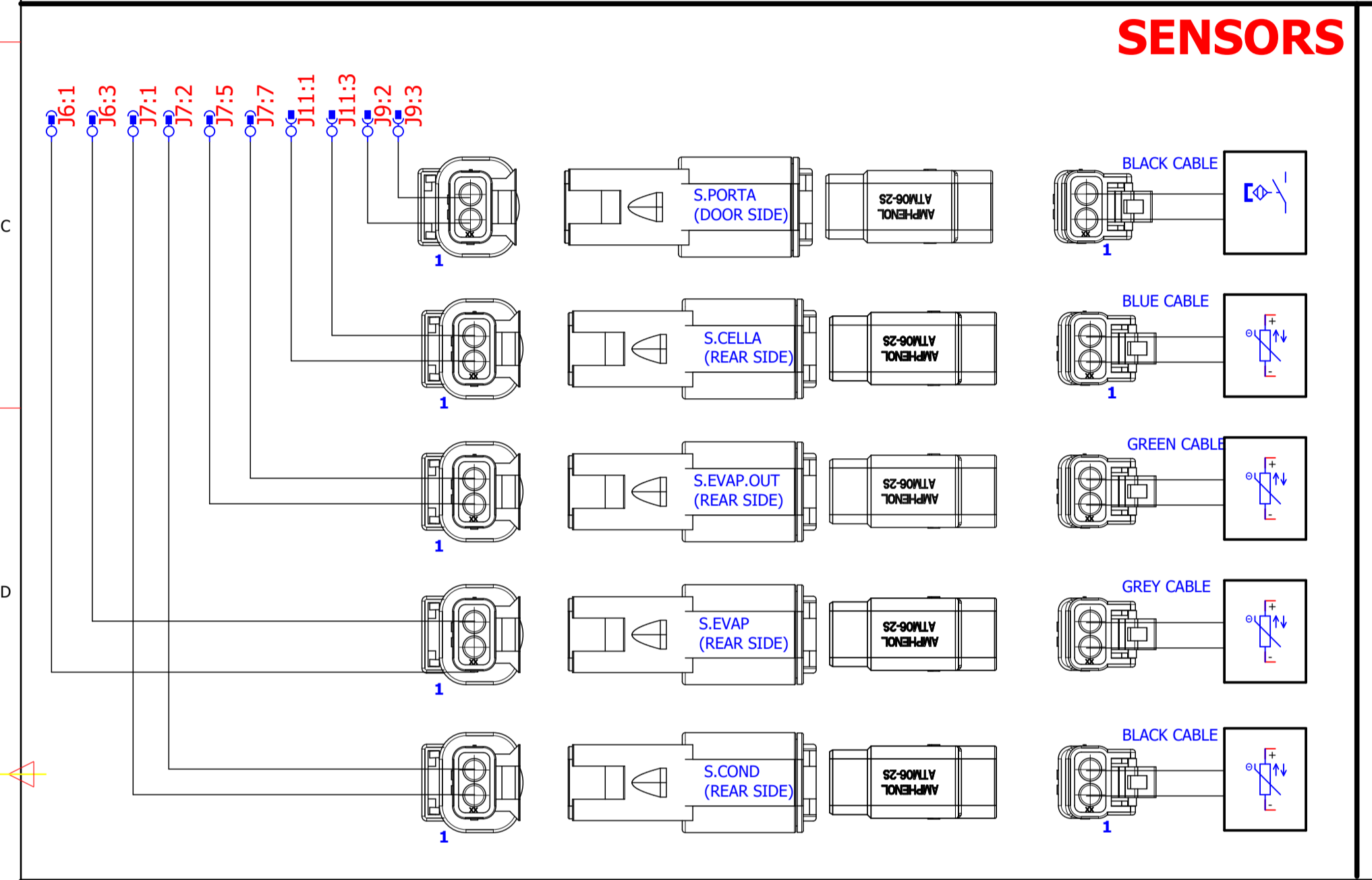
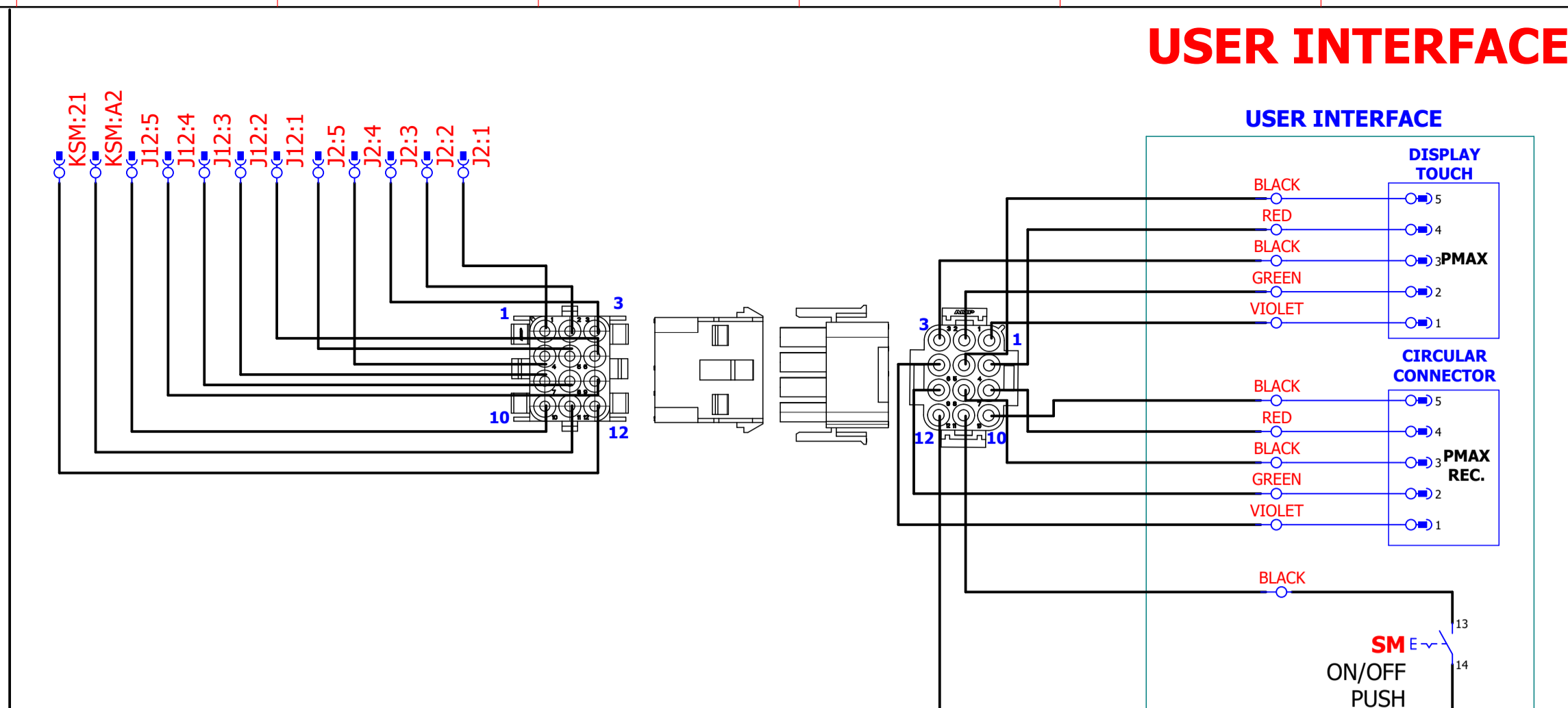
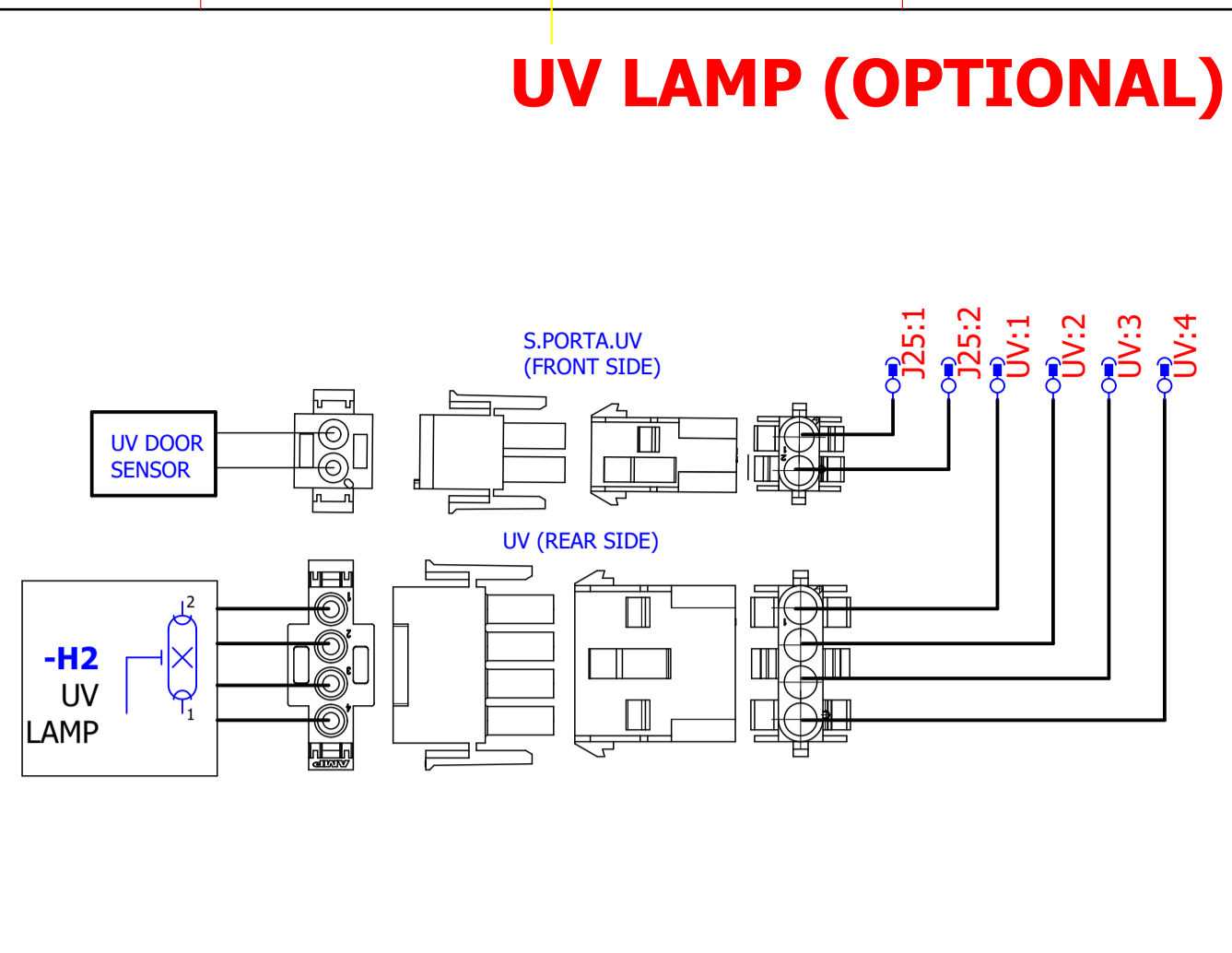
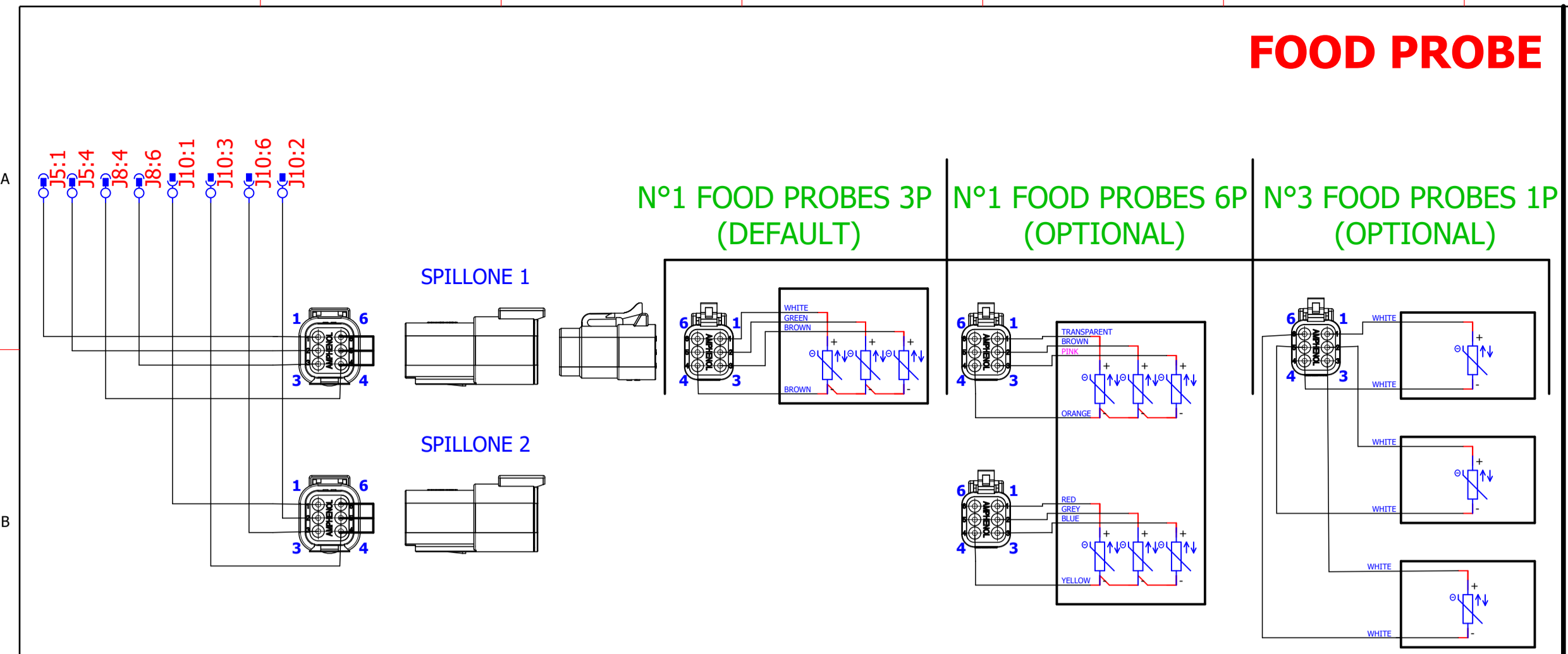
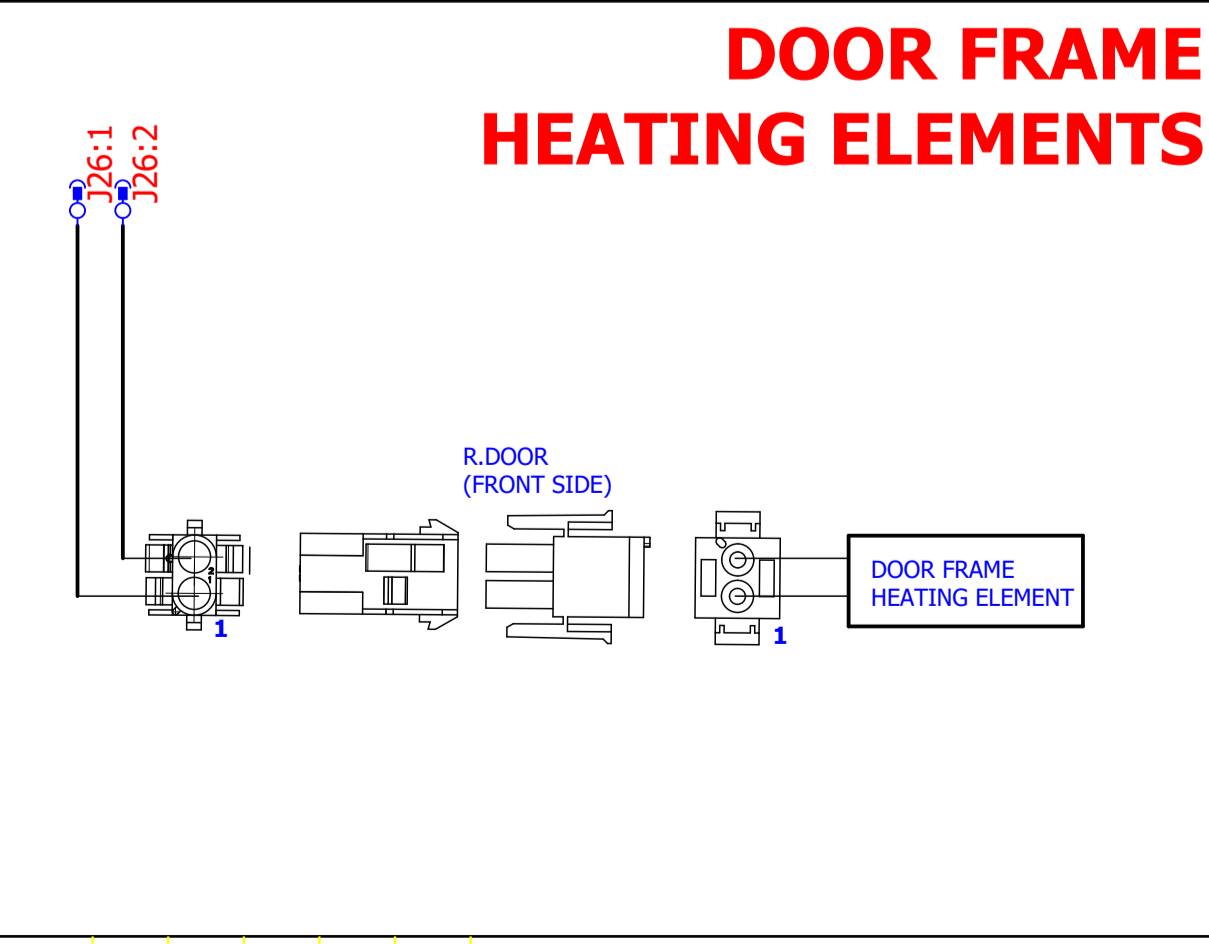
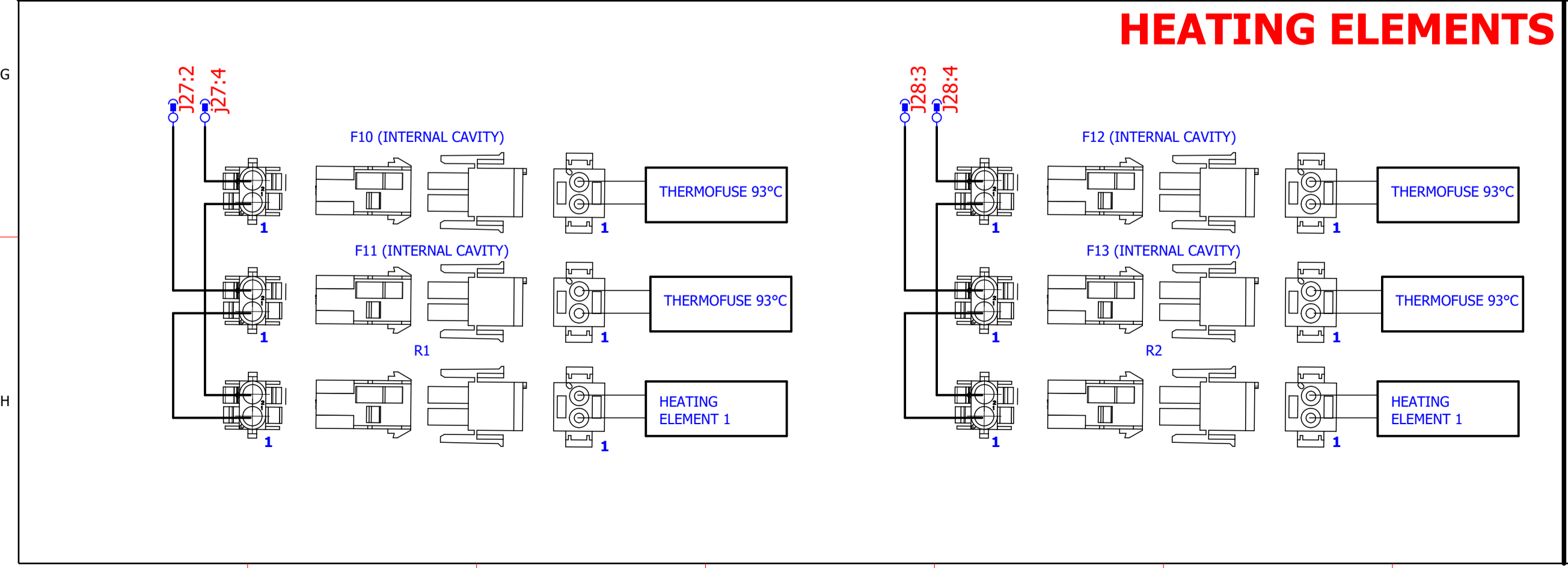


**TO ENSURE THE PROPER OPERATION OF THE REMOTE APPLIANCE, IS NECESSARY TO INSTALL THE ELECTROVALVE**



### ELECTROVALVES (NOT PRESENT - EXTERNAL CONNECTION)

### CONDENSER FANS (NOT PRESENT)



### LEGEND

ACU	MAIN BOARD
AL	12Vdc POWER SUPPLY
AL.UV	UV POWER SUPPLY (OPTIONAL)
F1	NEUTRAL FUZE
F2	LINE FUZE
F3	RFI FILTER
FAN.1	CAVITY FAN UP
FAN.2	CAVITY FAN DOWN
FOOD PROBE X-Y	FOOD PROBE SENSOR (X=1,2 Y=1,2,3,4,5,6)
Hx	UV LAMP (OPTIONAL)
KR	COMPRESSOR ACTIVATION RELAY
KSM	ACTIVATION AUXILIARY RELAY
R1	DEFROST HEATING ELEMENT 800W
R2	DEFROST HEATING ELEMENT 800W
R10	THERMOFUSE 93°C
R11	THERMOFUSE 93°C
R12	THERMOFUSE 93°C
R13	THERMOFUSE 93°C
R20	DOOR FRAME HEATING ELEMENT 230V 10W/m
R.DOOR	47 OHM RESISTANCE
S.CELLA	CAVITY SENSOR
S.COND	CONDENSER SENSOR
S.EVAP	EVAPORATOR SENSOR
S.EVAP.OUT	EXTERNAL EVAPORATOR SENSOR
S.PORTA	DOOR SENSOR
S.PORTA.UV	UV DOOR SENSOR (OPTIONAL)
SM	ON/OFF PUSH BUTTON