

Ersatzteilliste-Explosionszeichnung

Kühltisch Serie KKM 102



SALADETTE 950 NEW

PNC	Eng. Ch	Model	Ref	Brand	Page
110259	00	ZSAL25L2C9 250L SALADETTE 2 DOOR+LID+CHOPPING BOARD	l	Zanussi	3.5.6.7.8
110261	00	ZPTR259 250L REF.PIZZA PREP.TABLE+MARBLE TOP	m	Zanussi	3.5.6.7.8
110262	00	ZSAL25T12 250L REF.TABLE(+2+10°)1DOOR+2DR.+S/S TOP	n	Zanussi	3.5.6.7.8
110263	00	ZSAL25N12 250L REF.TABLE(+2+10°)1 DOOR+2DR.-NO TOP	o	Zanussi	3.5.6.7.8
110264	00	ZSAL25T20 250L REF.TABLE(+2+10°)2DOORS+S/S WORKTOP	p	Zanussi	3.5.6.7.8
110265	00	ZSAL25N20 250L REF.TABLE(+2+10°)2 DOORS-NO WORKTOP	q	Zanussi	3.5.6.7.8
110266	00	ZSAL25N04 250L REF.TABLE(+2+10°) 4 DRAWERS-NO TOP	r	Zanussi	3.5.6.7.8
110267	00	ZSAL25T04 250L REF.TABLE(+2+10°)4 DRAWERS+AISI TOP	s	Zanussi	3.5.6.7.8
110891	00	2-DOOR SALADETTE 250L+LID+CHOPPING BOARD R290	l1	Zanussi	4.5.6.7.8
190775	00	250L REF.TABLE(+2+10°)4 DRAWERS+AISI TOP WITH UPSTAND + UK PLUG	h1	To brand	3.5.6.7.8
190B2D	00	250L REF.PIZZA PREP.TABLE+MARBLE TOP	m	Zanussi	3.5.6.7.8
725105	00	1-DOOR+2-DRAWER REFRIGERATED COUNTER 250L +2+10°-NO TOP R290	j1	EPR	4.5.6.7.8
725106	00	2-DOOR REFRIGERATED PIZZA PREP.COUNTER 250L + MARBLE TOP R290	k1	EPR	4.5.6.7.8
725107	00	2-DOOR SALADETTE 250L+LID+CHOPPING BOARD R290	m1	EPR	4.5.6.7.8
725108	00	1-DOOR+2-DRAWER REFRIGERATED COUNTER 250L +2+10° + SS TOP R290	n1	EPR	4.5.6.7.8
725109	00	2-DOOR REFRIGERATED COUNTER 250L +2+10° + SS TOP R290	o1	EPR	4.5.6.7.8
725112	00	4-DRAWER REFRIGERATED COUNTER 250L +2+10° - NO TOP R290	p1	EPR	4.5.6.7.8
725113	00	4-DRAWER REFRIGERATED COUNTER 250L +2+10° + SS TOP R290	q1	EPR	4.5.6.7.8
725114	00	2-DOOR REFRIGERATED COUNTER 250L +2+10° - NO TOP R290	r1	EPR	4.5.6.7.8
727029	00	SAL25 C94 250L SALADETTE 2DOOR+LID+CHOPPING BO A430	i	To brand	3.5.6.7.8
728627	09	SAL25L2C9 250L SALADETTE 2DOOR+LID+CHOPPING BOARD	a	To brand	3.5.6.7.8
728628	09	PTR259 250L REFRIGERATED PREPARATION TABLE	b	To brand	3.5.6.7.8
728629	09	SAL25 T12 250L SALADETTE 1DOOR+2DRAWER+S/S WORKTOP	c	To brand	3.5.6.7.8
728630	10	SAL25 N12 250L SALADETTE 1DOOR+2DRAWER W/O WORKTOP	d	To brand	3.5.6.7.8
728631	09	SAL25 T20 250L SALADETTE 2 DOORS WITH S/S WORKTOP	e	To brand	3.5.6.7.8
728632	10	SAL25 N20 250L SALADETTE 2 DOORS WITHOUT WORKTOP	f	To brand	3.5.6.7.8
728633	08	SAL25 N04 250L SALADETTE 4 DRAWERS WITHOUT WORKTOP	g	To brand	3.5.6.7.8
728634	15	SAL25 T04 250L SALADETTE 4 DRAWERS WITHOUT WORKTOP	h	To brand	3.5.6.7.8
729014	00	HB9CUA 9x1/3 DRAW.REF.TABLE+BSPL -2+10C-SS-ASIA	t	Alpen	3.5.6.7.8
729015	00	HB6CUA 6x1/2 DRAW.REF.TABLE+BSPL -2+10C-SS-ASIA	u	Alpen	3.5.6.7.8
729016	00	RD06PX1F 1-DOOR DIGIT.REFRIG.600 LT 0+10°AISI 304	v	Alpen	3.5.6.7.8

Note: per la corretta identificazione dei componenti, attenersi esclusivamente alle pagine indicate e alla lettera di riferimento.

Note: for the correct identification of the components, follow the indicated pages and the reference letter.

Note:

Change termoregualtor from serial N°8400001

Pag./Page	Indice	Index
3-4	Esploso tavolo	Counter exploded view
5-6	Lista ricambi	Spare parts list
7	Esploso gruppo	Cooling unit exploded view
8	Lista ricambi	Spare parts list

Rev.4

SALADETTE 950 NEW

PNC	Eng. Ch	Model	Ref	Brand	Page
729017	00	RD06FX1F 1-DOOR DIGIT.FREEZER 600LT-22-15° AISI304	w	Alpen	3.5.6.7.8
729018	00	RD13PX2F 2-DOOR DIGIT.REFRIG.1300 LT 0+10° AISI304	z	Alpen	3.5.6.7.8
729019	00	RD13FX2F 2DOOR DIGIT.FREEZER 1300LT-22-15° AISI304	a1	Alpen	3.5.6.7.8
729020	00	RDSN2M2U 2 DOOR REFRIG. TABLE -2C WITH SPLASHBACK	b1	Alpen	3.5.6.7.8
729021	00	RDSN3M3U 3 DOOR REFRIG. TABLE -2C WITH SPLASHBACK	c1	Alpen	3.5.6.7.8
729348	00	NSAL25L2C9 250L SALADETTE 2 DOOR+LID+CHOPPING BOARD	d1	To brand	3.5.6.7.8
729349	00	NSAL25T12 250L REF.TABLE(+2+10°)1DOOR+2DR.+S/S TOP	e1	To brand	3.5.6.7.8
729350	00	NSAL25T20 250L REF.TABLE(+2+10°)2DOORS+S/S WORKTOP	f1	To brand	3.5.6.7.8
729351	00	NSAL25T04 250L REF.TABLE(+2+10°)4 DRAWERS+AISI TOP	g1	To brand	3.5.6.7.8
729614	00	1-DOOR+2-DRAWERS REFRIGERATED COUNTER 250L +2+10°-NO TOP R290	s1	Alpen	4.5.6.7.8
729616	00	2-DOOR SALADETTE 250L+LID+CHOPPING BOARD R290	t1	Alpen	4.5.6.7.8
729619	00	4-DRAWER REFRIGERATED COUNTER 250L +2+10°-NO TOP R290	u1	Alpen	4.5.6.7.8
729621	00	2-DOOR REFRIGERATED COUNTER 250L +2+10°-NO WORKTOP R290	v1	Alpen	4.5.6.7.8

Note: per la corretta identificazione dei componenti, attenersi esclusivamente alle pagine indicate e alla lettera di riferimento.

Note: for the correct identification of the components, follow the indicated pages and the reference letter.

Note:

Change termoregualtor from serial N°8400001

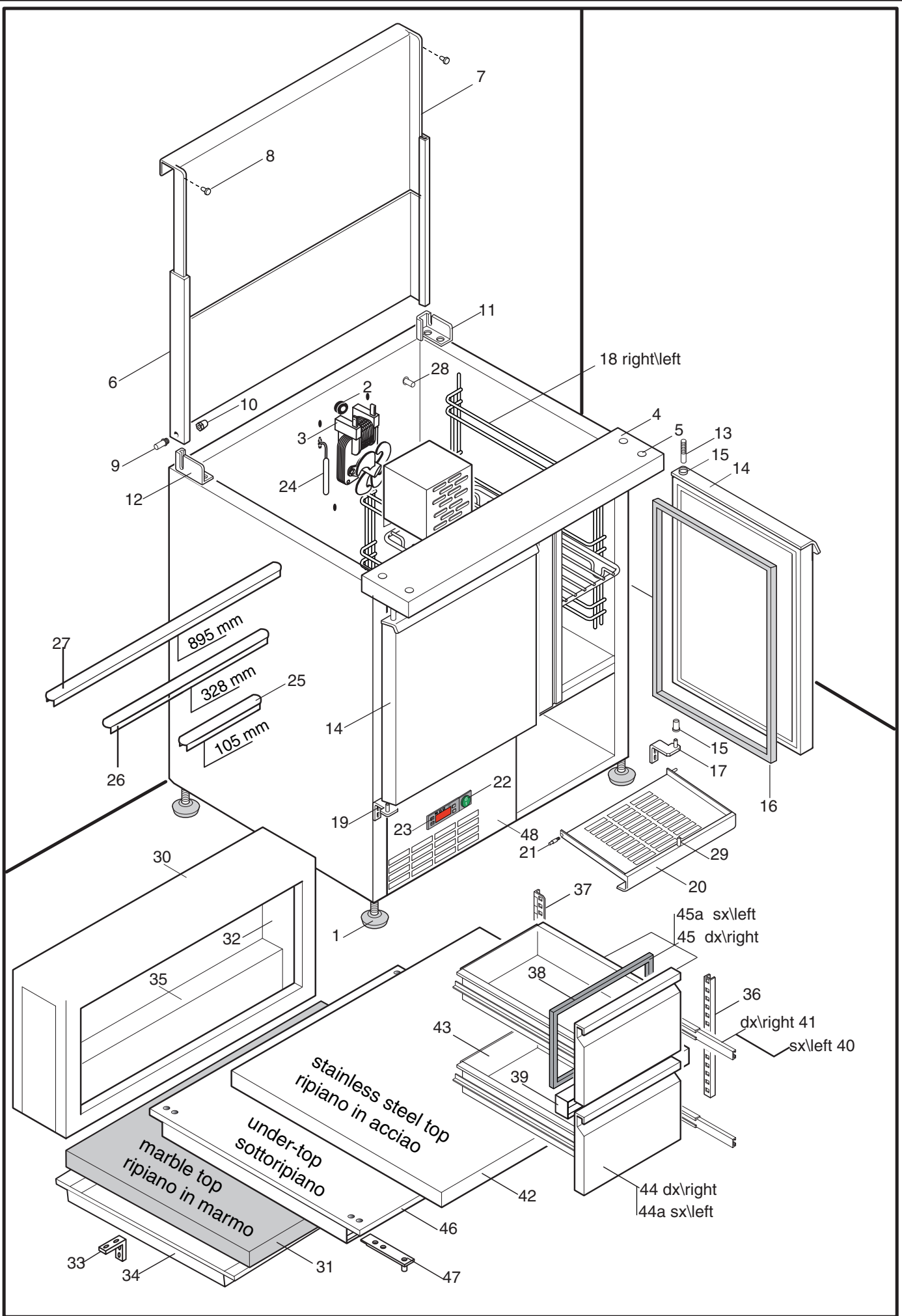
Pag./Page

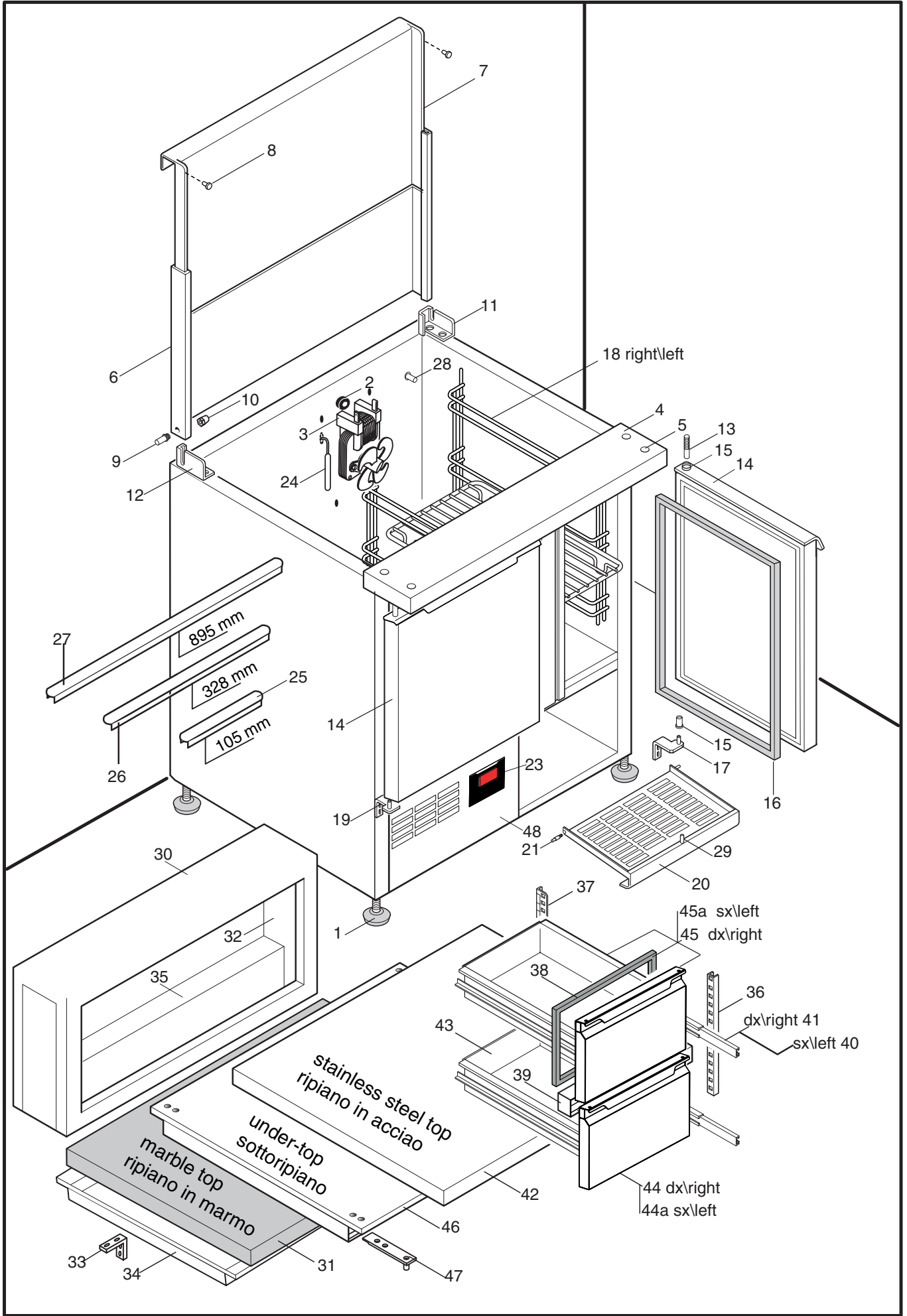
3-4 Esploso tavolo
5-6 Lista ricambi
7 Esploso gruppo
8 Lista ricambi

Index

Counter exploded view
Spare parts list
Cooling unit exploded view
Spare parts list

Rev.4

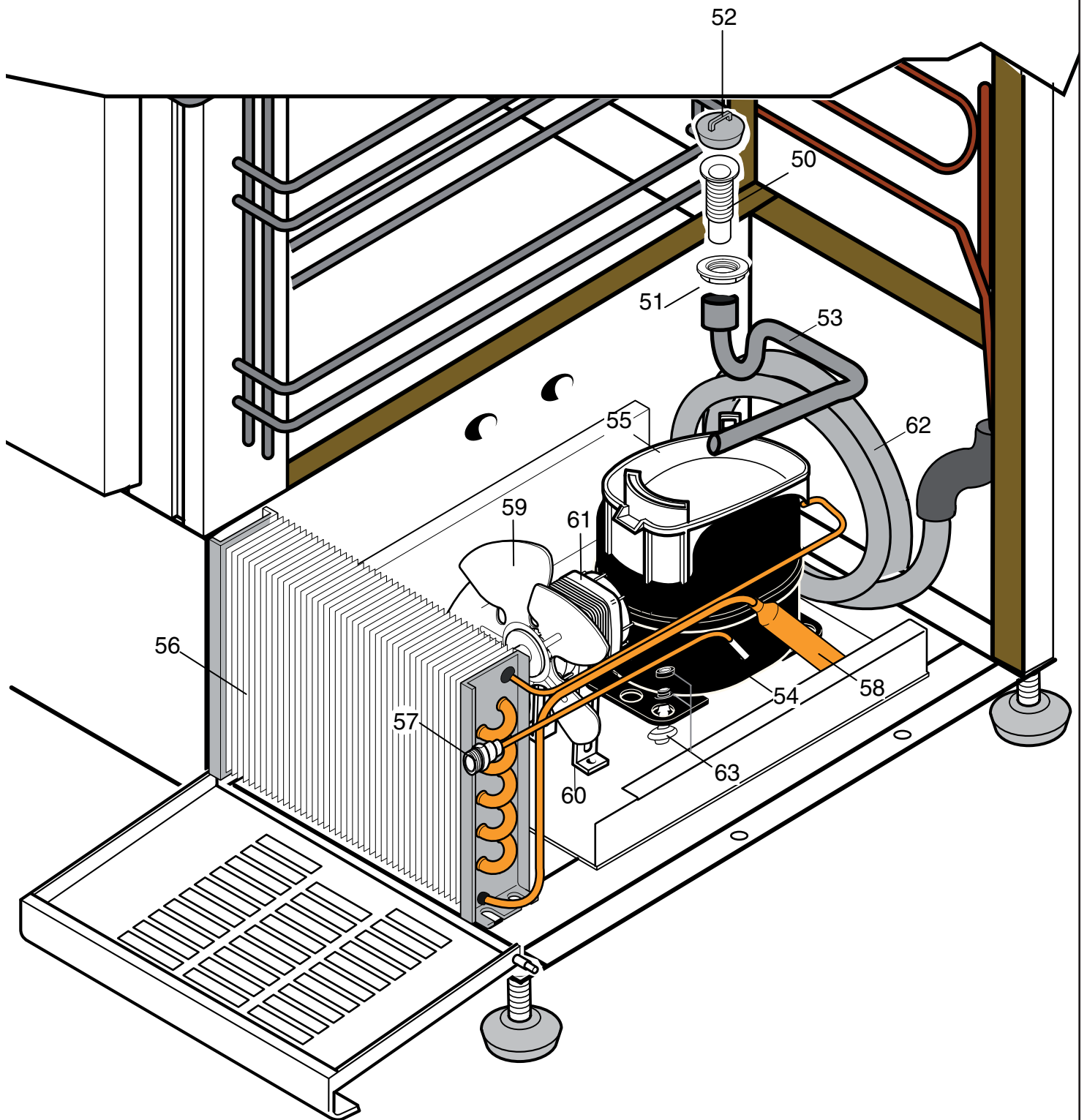




Pos	Code	Descrizione	Description	Ref. / Notes
		TAVOLO PAG 3-4	COUNTER PAGE 3-4	
1	096652	Piedino	Foot	
2	0A8719	Gommini per ventilatore	Rubber bearing	
3	099688	Ventilatore cella	Cell motorventilator	
4	099689	Tagliere bianco	Chopping board	a,i
5	0A9010	Tappo per tagliere	Plug for chopping board	a,i
6	099690	Coperchio esterno	External cover	a,i
7	099691	Coperchio con maniglia	Cover with handle	a,i
8	099622	Clip per coperchio	Clip for cover	a,i
9	0A8149	Perno per coperchio	Pin for cover	a,i
10	034496	Dado M6 uni 57	Nut uni 57	a,i
11	0A8148	Cerniera dx per coperchio	Right hinge for cover	a,i
12	0A8147	Cerniera sx per coperchio	Left hinge for cover	a,i
13	0A9166	Perno per porta	Pin for door	a,b,c,d,e,f,i
14	099692	Porta aisi 304	Door aisi 304	a,b,c,d,e,f
14	092205	Porta aisi 430	Door aisi 430	i
14	097313	Porta aisi 304	Door aisi 304	j1,k1,m1,n1,o1,r1
15	081807	Boccola per cerniera	Bush for hinge	a,b,c,d,e,f,i
16	0A9647	Guarnizione porta	Gasket door	a,b,c,d,e,f,i
17	0A9628	Cerniera inferiore dx	Lower hinge right	a,b,e,f,i
18	099693	Struttura cella	Shelf structure	a,b,c,d,e,f,i
19	0A9627	Cerniera inferiore sx	Lower hinge left	a,b,c,d,e,f,i
20	099694	Pannello removibile	Removable panel	All except j1,k1,l1,m1,n1,o1,p1,q1,r1,s1,t1,u1,v1
20	097310	Pannello removibile	Removable panel	j1,k1,l1,m1,n1,o1,p1,q1,r1,s1,t1,u1,v1
21	082757	Perno per cerniera pannello remo.	Hinge pin for removable panel	
22	089175	Interuttore ON/OFF	ON/OFF swith	All except j1,k1,l1,m1,n1,o1,p1,q1,r1,s1,t1,u1,v1
23	099695	Termoregolatore R001 NTC	Thermoregulator R001 NTC	until to serial N°839000..
23	091609	Termoregolatore IR33	Thermoregulator IR33	from serial N°84000001
23	093532	Termoregolatore CAREL	Thernoregulator CAREL	j1,k1,l1,m1,n1,o1,p1,q1,r1,s1,t1,u1,v1
24	099267	Sonda cella	Probe cell	it'll be out production from serial n°8490...
24	092173	Sonda cella S1 "Blue"	Probe cell	it'll replace the old 099267 from serial n°850
25	0A8156	Traversa sostegno bacinelle	Basin support	a,i
26	0A8155	Traversa sostegno bacinelle	Basin support	a,i
27	0A9785	Traversa sostegno bacinelle	Basin support	a,i
28	082757	Perno per struttura	Pin for shelf structure	a,b,c,d,e,f,i
29	099137	Perno centrale per pannello	Central pin for removable panel	
30	099696	Ass. involucro per bacinelle	Show case	b
31	0A9637	Piano in marmo	Marble top	b
32	099697	Pannello laterale dx-sx	Side panel left-right	b
33	0A9163	Squadretta fissaggio piano	Top support	b,c,d,h
34	099698	Sottoripiano per piano in M.	Under top for marble top	b
35	099699	Supporto bacinelle pizza	Support for basin	b
36	0A9745	Cremagliera anteriore cass.	Front rack support	c,d,g,h,n,o,r,s,v,w,b1,c1,e1,g1,h1
36	097307	Cremagliera anteriore cass.	Front rack support	j1,n1,p1,q1,s1,u1
37	099700	Cremagliera posteriore	Back rack support	c,d,g,h,n,o,r,s,v,w,b1,c1,e1,g1,h1
38	0A9289	Guarnizione magnetica cass.	Drawer gasket	c,d,g,h,n,o,r,s,v,w,b1,c1,e1,g1,h1
39	099701	Traversa per cassetti	Central support for drawer	c,d,g,h,n,o,r,s,v,w,b1,c1,e1,g1,h1
39	097316	Traversa per cassetti	Central support for drawer	j1,n1,p1,q1,s1,u1
40	0A9367	Assieme guida Sx	Left guide	c,d,g,h,n,o,r,s,v,w,b1,c1,e1,g1,h1
41	0A9366	Assieme guida DX	Right guide	c,d,g,h,n,o,r,s,v,w,b1,c1,e1,g1,h1
42	099702	Ripiano	Top (stainless steel)	c,e,h,n,p,s,v,z,c1,e1,f1,g1
42	858709700	Ripiano + alzatina	Top + upstand	h1
43	099703	Involucro cassetto	Drawer case	c,d,g,h,n,o,r,s,v,w,b1,c1,e1,g1,h1
43	097312	Involucro cassetto	Drawer case	j1,n1,p1,q1,s1,u1
44	099704	Cassetto frontale destro	Front drawer (right)	c,d,g,h,n,o,r,s,v,c1,e1,g1,h1
44	097314	Cassetto frontale destro	Front drawer (right)	j1,n1,p1,q1
44a	092119	Cassetto frontale sinistro	Front drawer (left)	g,h,r,s,c1,g1,h1
44a	097315	Cassetto frontale sinistro	Front drawer (left)	p1,q1
45	099705	Ass.cassetto destro	Complete drawer (right)	c,d,g,h,n,o,r,s,v,w,b1,c1,e1,g1,h1
45	097317	Ass.cassetto destro	Complete drawer (right)	j1,n1,p1,q1
45	097319	Ass.cassetto destro	Complete drawer (right)	s1,u1
45a	092118	Ass.cassetto sinistro	Complete drawer (left)	g,h,r,s,b1,c1,g1,h1
45a	097318	Ass.cassetto sinistro	Complete drawer (left)	p1,q1
45a	097320	Ass.cassetto sinistro	Complete drawer (left)	u1
46	099706	Ass. sottoripiano	Under top	d,f,g,o,q,r,w,a1,b1
47	0A9646	Cerniera superiore	Upper hinge	d,f,o,q,w,a1
48	099908	Cruscotto comandi per R001 NTC	Control panel for R001 NTC control	until to 2008/42

Pos	Code	Descrizione	Description	Ref. / Notes
48	092047	Cruscotto comandi per IR33 termor.	Control panel for IR33 control	from 2008/43 up to 2020/19
48	500R67200	Cruscotto per IR33 termor. aisi 430	Control panel for control aisi 430	i
48	509R04B00	Cruscotto comandi per IR33 termor.	Control panel for IR33 control	From 2020/20
48	097308	Cruscotto comandi 2021	Control panel 2021	j1,k1,l1,m1,n1,o1,p1,q1,r1,s1,t1,u1,v1
*	091368	Protezione posteriore	Back panel	All except j1,k1,l1,m1,n1,o1,p1,q1,r1,s1,t1,u1,v1
*	097311	Protezione posteriore	Back panel	j1,k1,l1,m1,n1,o1,p1,q1,r1,s1,t1,u1,v1

Gruppo Saladette 950
Cooling Unit Saladette 950



Pos	Code	Descrizione	Description	Ref. / Notes
		GRUPPO PAG. 6	COOLING UNIT PAGE 6	
50	081816	Piletta	Discharge pipe	
51	081797	Controdado per piletta	Nut	
52	085535	Tappo per piletta	Plug	
53	099708	Tube sifone per condensa	Water discharge pipe	
54	099709	Compressore GL90AA (cubigel)	Compressor GL90AA (cubigel)	Relay/s:3003 -Protector:MRP304LZ up to wk 10/2009
54	092256	Compressore GVM57AA (cubigel)	Compressor GVM57AA (cubigel)	From wk 11/2009
54	094811	Compressore GVM57AA (ACC)	Compressor GVM57AA (ACC)	Up to wk 05/2011
54	094808	Compressore TLES5.7FT.3 SECOP	Compressor TLES5.7FT.3 SECOP	From wk 06/2011
54	093425	Compressore EMT6144U 220-50 R290	Compressor EMT6144U 220-50 R290	Up to 7241
55	099679	Bacinella racc. cond. GL90AA	Water discharge basin	From 7251
55	092254	Bacinella racc. cond. GVM57AA	Water discharge basin	From wk 11/2009
55	094813	Bacinella racc.cond	Water discharge basin	Up to 7241
55	546R51400	Bacinella racc.cond	Water discharge basin	From 7251
56	099711	Condensatore	Condenser	j1,k1,l1,m1,n1,o1,p1,q1,r1,s1,t1,u1,v1
57	0A8171	Valvola di ricarica	Charge\discharge valve	
58	085886	Filtro deidratatore	Dehydrator filter	
59	089696	Ventola	Fan	
59	093963	Ventola	Fan	j1,k1,l1,m1,n1,o1,p1,q1,r1,s1,t1,u1,v1
60	082120	Staffa ventilatore	Support for motor ventilator	
61	085674	Ventilatore	Motorventilator	
61	096483	Ventilatore	Motorventilator	j1,k1,l1,m1,n1,o1,p1,q1,r1,s1,t1,u1,v1
62	099712	Scambiatore	Heat exchanger	Up to 7241
62	095428	Scambiatore	Heat exchanger	From 7251
62	858R18500	Scambiatore	Heat exchanger	j1,k1,l1,m1,n1,o1,p1,q1,r1,s1,t1,u1,v1
63	087122	Dispositivo fissaggio compressore	Fixing kit compressor	

Finanzen / Service

28307 Bremen
Thalendorststraße 15
Tel.+49 421 48557-0
Fax+49 421 488650
bremen@nordcap.de

Vertrieb Ost

12681 Berlin
Wolfener Straße 32/34, Haus K
Tel.+49 30 936684-0
Fax+49 30 936684-44
berlin@nordcap.de

Vertrieb West

40699 Erkrath
Max-Planck-Straße 30
Tel.+49 211 540054-0
Fax+49 211 540054-54
erkrath@nordcap.de

Vertrieb Nord

21079 Hamburg
Großmoorbogen 5
Tel.+49 40 766183-0
Fax+49 40 770799
hamburg@nordcap.de

Vertrieb Süd

55218 Ingelheim
Hermann-Bopp-Straße 4
Tel.+49 6132 7101-0
Fax+49 6132 7101-20
ingelheim@nordcap.de



www.nordcap.de