

Ersatzteilliste-Explosionszeichnung

Elektro-Bratplatte EBP9 / 1H-GL-WA-T

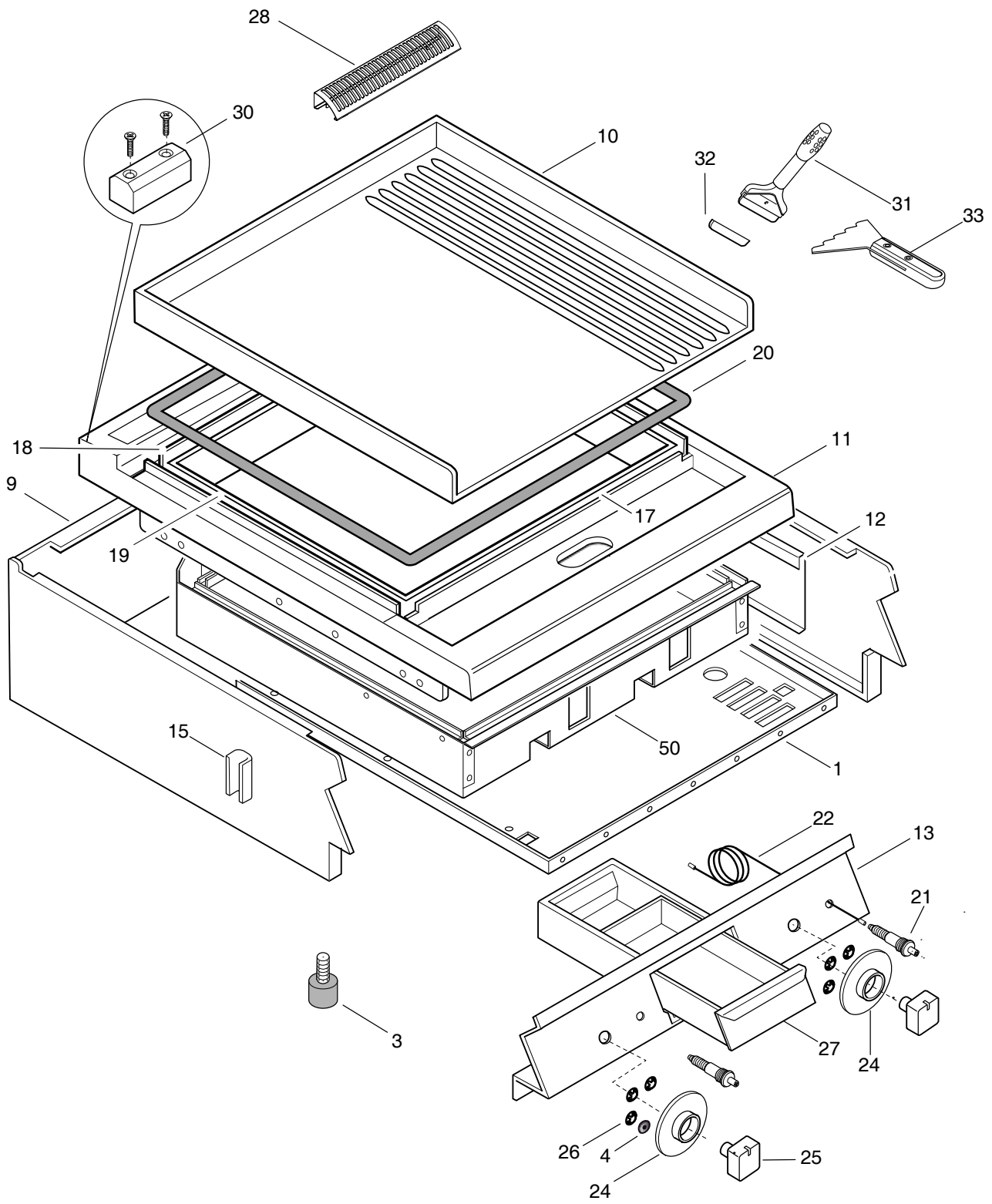
[Art. 406392357]

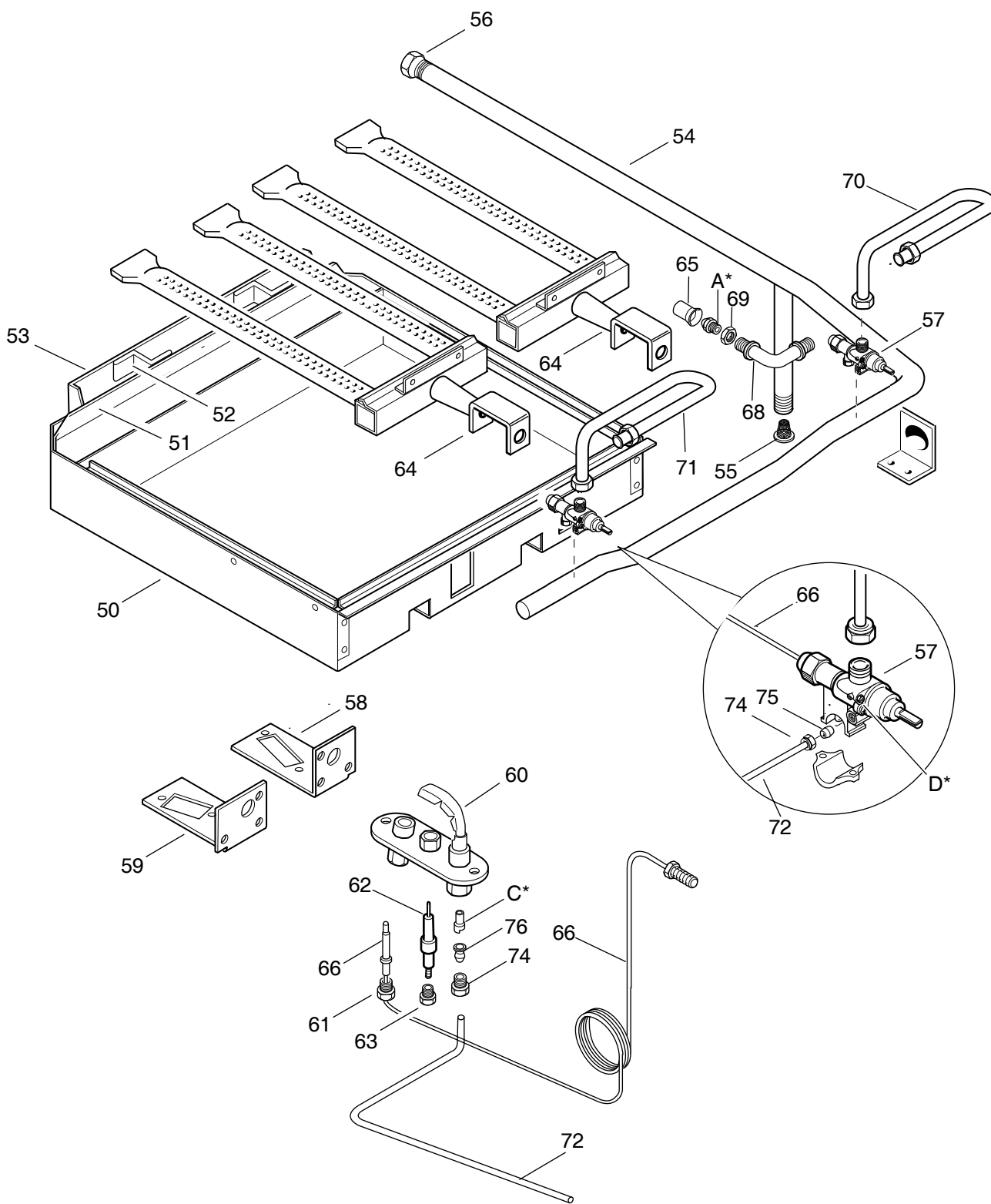


PNC	Model	Ref	Pag.	Brand	Version	Notes
391056	E9FTGDSS0C	a	2,3	ELX	GAS	8 KW SMOOTH SLOPED PLATE 400MM
391057	E9FTGDSR0C	c	2,3	ELX	GAS	8 KW RIBBED SLOPED PLATE 400MM
391058	E9FTGHSS0C	b	2,3	ELX	GAS	16 KW SMOOTH SLOPED PL. 800MM
391059	E9FTGHSP0C	d	2,3	ELX	GAS	16 KW SMOOTH+RIBB.SLOPED 800MM
392056	Z9FTGDSS0C	e	2,3	ZAN	GAS	8 KW SMOOTH SLOPED PLATE 400MM
392057	Z9FTGDSR0C	f	2,3	ZAN	GAS	8 KW RIBBED SLOPED PLATE 400MM
392058	Z9FTGHSS0C	g	2,3	ZAN	GAS	16 KW SMOOTH SLOPED PL. 800MM
392059	Z9FTGHSP0C	h	2,3	ZAN	GAS	16 KW SMOOTH+RIBB.SLOPED 800MM
393056	A9FTGDSS0C	l	2,3	OEM	GAS	8 KW SMOOTH SLOPED PLATE 400MM
393057	A9FTGDSR0C	i	2,3	OEM	GAS	8 KW RIBBED SLOPED PLATE 400MM
393058	A9FTGHSS0C	m	2,3	OEM	GAS	16 KW SMOOTH SLOP. PLATE 800MM
393059	A9FTGHSP0C	n	2,3	OEM	GAS	16 KW SMOOTH+RIBB.SLOPED 800MM

Pag	Index	Indice	Note
2	General componets	Componenti struttura	
3	Gas components	Componenti Gas	
4	Nozzle	Ugelli	
5,6	Spare parts list	Lista ricambi	

Brand/Marchio: All
 Factory code: 9PDX





A - Ugello bruciatore / Burner nozzle				
	Spare Code	Ref. / Notes		
A05158800	0A2091	ø1.45	3+3B/P	G30 30mbar
A05583000	0A2533	ø1.35	3B/P	G30 37mbar
516809800	002393	ø1.30	3B/P	G30 50mbar
A05661900	059418	ø2.15	2H/2E+	G20 20mbar
A05158100	0A2102	ø2.00	2H	G20 25mbar
A05659400	0A2475	ø2.25	2L	G25 25mbar
A05661900	059418	ø2.15	2K	G25.3 25mbar
A05158400	0A2104	ø2.40	2ELL	G25 20mbar
A05659400	0A2475	ø2.25	2S	G25.1 25mbar
514888100	059423	Ø4.60	No CE	G110 8mbar

C - Ugello pilota / Pilot nozzle				
	Spare Code	Ref./ Notes		
514878900	059216	n°14	3+3B/P	G30 30mbar
514878900	059216	n°14	3B/P	G30 37mbar
514878900	059216	n°14	3B/P	G30 50mbar
514886400	059215	n°27	2H/2E+	G20 20mbar
514886400	059215	n°27	2H	G20 25 mbar
514886400	059215	n°27	2L	G25 25mbar
514886400	059215	n°27	2K	G25.3 25mbar
514886400	059215	n°27	2ELL	G25 20mbar
514886400	059215	n°27	2S	G25.1 25mba
514879300	059356	n°50	No CE	G110 8mbar

D - Vite di minimo / Min screw				
	Spare Code	Ref./ Notes		
835836700	0C1326	n°120	3+3B/P	G30 30mbar
835836700	0C1326	n°120	3B/P	G30 37mbar
835827900	002902	n°105	3B/P	G30 50mbar
835836700	0C1326	n°120	2H/2E+	G20 20mbar
*	*	Adjust	2H	G20 25 mbar
*	*	Adjust	2L	G25 25mbar
*	*	Adjust	2K	G25.3 25mbar
*	*	Adjust	2ELL	G25 20mbar
*	*	Adjust	2S	G25.1 25mbar
*	*	Adjust	No CE	G110 8mbar

FRYTOP GAS E900 XP
GAS FRYTOP E900 XP

<i>Pos</i>	<i>Factory Code</i>	<i>Spare Code</i>	<i>Descrizione</i>	<i>Description</i>	<i>Ref./Note</i>
1	0530800006	0C1286	FONDO 400mm	BOTTOM PANEL 400mm	
1	0530800106	0C1287	FONDO 800mm	BOTTOM PANEL 800mm	
3	0315252601	026806	PIEDINO	FOOT	
4	0541813800	0C6171	RONDELLA SILICONE	SILICONE WASHER	
9	085089DR01		FASCIA 400mm	EXTERNAL PANEL 400mm	ELX
9	085089DS01		FASCIA 800mm	EXTERNAL PANEL 800mm	ELX
9	085089DU01		FASCIA 400mm	EXTERNAL PANEL 400mm	ZAN, OEM
9	085089DU01		FASCIA 800mm	EXTERNAL PANEL 800mm	ZAN, OEM
10	0874819105	059394	PIASTRA LISCIA 400mm	SMOOTH PLATE 400mm	
10	0874820105	059397	PIASTRA RIGATA 400mm	RIBBED PLATE 400mm	
10	0874819205	059396	PIASTRA LISCIA 800mm	SMOOTH PLATE 800mm	
10	0874820405	059400	PIASTRA 1/3 RIGATA 800mm	1/3 RIBBED PLATE 800mm	
11	087089MP00	0C7948	RIPIANO 400mm	TOP 400mm	ELX
11	087089MB00	0C7947	RIPIANO 800mm	TOP 800mm	ELX
11	087089F700	0C7447	RIPIANO 400mm	TOP 400mm	ZAN, OEM
11	087089FA00	0C7449	RIPIANO 800mm	TOP 800mm	ZAN, OEM
12	0530802101	0C1292	SUPP. CAMERA COMBUSTIONE	SUPPORT, COMB.CHAMBER	
13	087089D303	0C7311	CRUSCOTTO 400mm	CONTROL PANEL 400mm	ELX
13	087089HJ03	0C7319	CRUSCOTTO 800mm	CONTROL PANEL 800mm	ELX
13	087089F602	0C7446	CRUSCOTTO 400mm	CONTROL PANEL 400mm	ZAN
13	087089F802	0C7448	CRUSCOTTO 800mm	CONTROL PANEL 800mm	ZAN
13	087089HH04	0C7463	CRUSCOTTO 400mm	CONTROL PANEL 400mm	OEM
13	087089HC04	0C7926	CRUSCOTTO 800mm	CONTROL PANEL 800mm	OEM
15	0527850500	0C0156	PIASTRINA FACCIATA FIANCO	PLATE JOINTING	
17	0527854601	0C1300	SUPP. ANT GUARNIZ. 400mm	GASKET FRONT SUPP. 400mm	
17	0527854501	0C1301	SUPP. ANT GUARNIZ. 800mm	GASKET FRONT SUPP. 800mm	
18	0527854801	0C1302	SUPP. POST. GUARNIZ. 400mm	GASKET REAR SUPPORT 400mm	
18	0527854701	0C1303	SUPP. POST. GUARNIZ. 800mm	GASKET REAR SUPPORT 800mm	
19	0527854901	0C1304	SUPP. LATERALE GUARNIZIONE	GASKET SIDE SUPPORT	
20	0A05065002	058404	GUARNIZIONE	GASKET	
21	0835829600	059251	ACCENDITORE PIEZO	PIEZOELECTRIC IGNITER	
22	0638883500	006514	CAVO ACCENDITORE	IGNITION CABLE	
24	0548877A00	0C7945	GHIERA	KNOB RING	ELX
24	0548879G00	0C7244	GHIERA	KNOB RING	ZAN
24	054887A000	0C7661	GHIERA	KNOB RING	OEM
25	0511850D02	0C7330	MANOPOLA	KNOB	ELX
25	0548878101	0C7425	MANOPOLA	KNOB	ZAN
25	0548865600	0C1007	MANOPOLA	KNOB	OEM
26	0218912211	069567	MOLLA FISSAGGIO GHIERA	SPRING, KNOB RING	
27	0851804705	0C0583	CASSETTO 400mm	DRAWER 400mm	
27	0851804805	0C0584	CASSETTO 800mm	DRAWER 800mm	
28	0538841900	0C5624	GRIGLIA CAMINO	GRID, CHIMNEY	
30	0516860702	0C0137	PIASTRINA UNIONE POST.	PLATE RERA JOINTING	
31	0805848202	055995	RASCHIETTO	SCRAPER	
32	0506887401	056347	LAMA PER RASCHIETTO	BLADE FOR SCRAPER	
33	0830851300	056940	SPATOLA PER PIASTRA RIGATA	PADDLE FOR RIBBED PLATE	

FRYTOP GAS E900 XP
GAS FRYTOP E900 XP

<i>Pos</i>	<i>Factory Code</i>	<i>Spare Code</i>	<i>Descrizione</i>	<i>Description</i>	<i>Ref./Note</i>
50	0530802404	0C1295	CAMERA COMBUSTIONE 400mm	COMBUSTION CHAMBER 400mm	
50	0530802504	0C1296	CAMERA COMBUSTIONE 800mm	COMBUSTION CHAMBER 800mm	
51	0530801902	0C1297	PARETE ANT. CAMINO 400mm	CHIMNEY FRONT PANEL 400mm	
51	0530802002	0C1298	PARETE ANT.CAMINO 800mm	CHIMNEY FRONT PANEL 800mm	
52	0528814801	0C1299	DISTANZIALE CAMINO	CHIMNEY SPACER	800 mm
53	0528884500		CONVOGLIATORE ARIA	AIR CONVECTION DEVICE	
54	0806832301	0C1306	CONDUTT.ENTR. GAS 400mm	GAS MANIFHOLD 400mm	
54	0806832402	0C1307	CONDUTT.ENTR. GAS 800mm	GAS MANIFHOLD 800mm	
55	0516863902	0C0140	FILTRO GAS	FILTER, GAS PIPE	
56	0210360300	051717	CALOTTA	CAP	
57	0835857202	0C0205	RUBINETTO GAS	GAS TAP	
58	0527855202	0C1308	SUPPORTO PILOTA DESTRO	RIGHT SIDE PILOT SUPPORT	
59	0527855302	0C1309	SUPPORTO PILOTA SINISTRO	LEFT SIDE PILOT SUPPORT	800 mm
60	0830884101	005503	PILOTA	PILOT BURNER	
61	0214162000	0C0121	RACCORDO TERMOCOPPIA	PIPE FITTING, THERMOCOUPLE	
62	0830863300	059380	ELETTRODO	ELECTRODE	
63	0214164101	057960	RACCORDO ELETTRODO	PIPE FITTING, ELECTRODE	
64	0835853700	006650	BRUCIATORE	BURNER	
65	0215088100	052062	BOCCOLA REGOL.ARIA	BUSH FOR AIR REGULATION	
66	0830853101	051119	TERMOCOPPIA	THERMOCOUPLE	
68	0511805801	059375	PORTAUGELLO	NOZZLE HOLDER	
69	0214105101	020997	CONTRODADO	LOCK NUT	
70	0806832002	0C1312	CONDUTTURA GAS 400mm	GAS PIPE 400	
70	0806832202	0C1314	CONDUTT. GAS DESTRA 800mm	GAS PIPE RIGHT SIDE 800mm	
71	0806832102	0C1313	CONDUTT. GAS SINIST. 800mm	GAS PIPE LEFT SIDE 800mm	
72	0517882001	0C1317	COND. PILOTA DESTRA 800mm	PILOT GAS PIPE RIGHT 800mm	For 400 and 800 mm
72	0517881901	0C1316	COND. PILOTA SINISTRA 800mm	PILOT GAS PIPE LEFT 800mm	For 800mm
74	0214164400	052125	RACCORDO PILOTA	PIPE FITTING, PILOT	
75	0215199700	052127	BICONO PILOTA-RUBINETTO	DOUBLE CONE, PILOT - GAS TAP	
76	0517808700	059161	BICONO PILOTA	DOUBLE CONE, PILOT	
50	0530802404	0C1295	CAMERA COMBUSTIONE 400mm	COMBUSTION CHAMBER 400mm	



Electrolux Professional SPA
Viale Treviso 15
33170 Pordenone
www.electrolux-professional.com

NordCap GmbH & Co. KG
Thalendorststraße 15
28307 Bremen
Hauptsitz (Service, Finanzen & Personal, Lager, IT, Marketing)

Telefon: +49 421 48557-0
Telefax: +49 421 488650
E-Mail: bremen@nordcap.de

Die NordCap Verkaufsniederlassungen in Deutschland:

Nord: Hamburg • Ost: Berlin • Süd: Ingelheim • West: Erkrath

by **NordCap**[®]

ZANUSSI
PROFESSIONAL