

Ersatzteilliste-Explosionszeichnung

Kühl- / Tiefkühlkombination KTK 1402 Premium



Thermoregulator
2M TN-BT

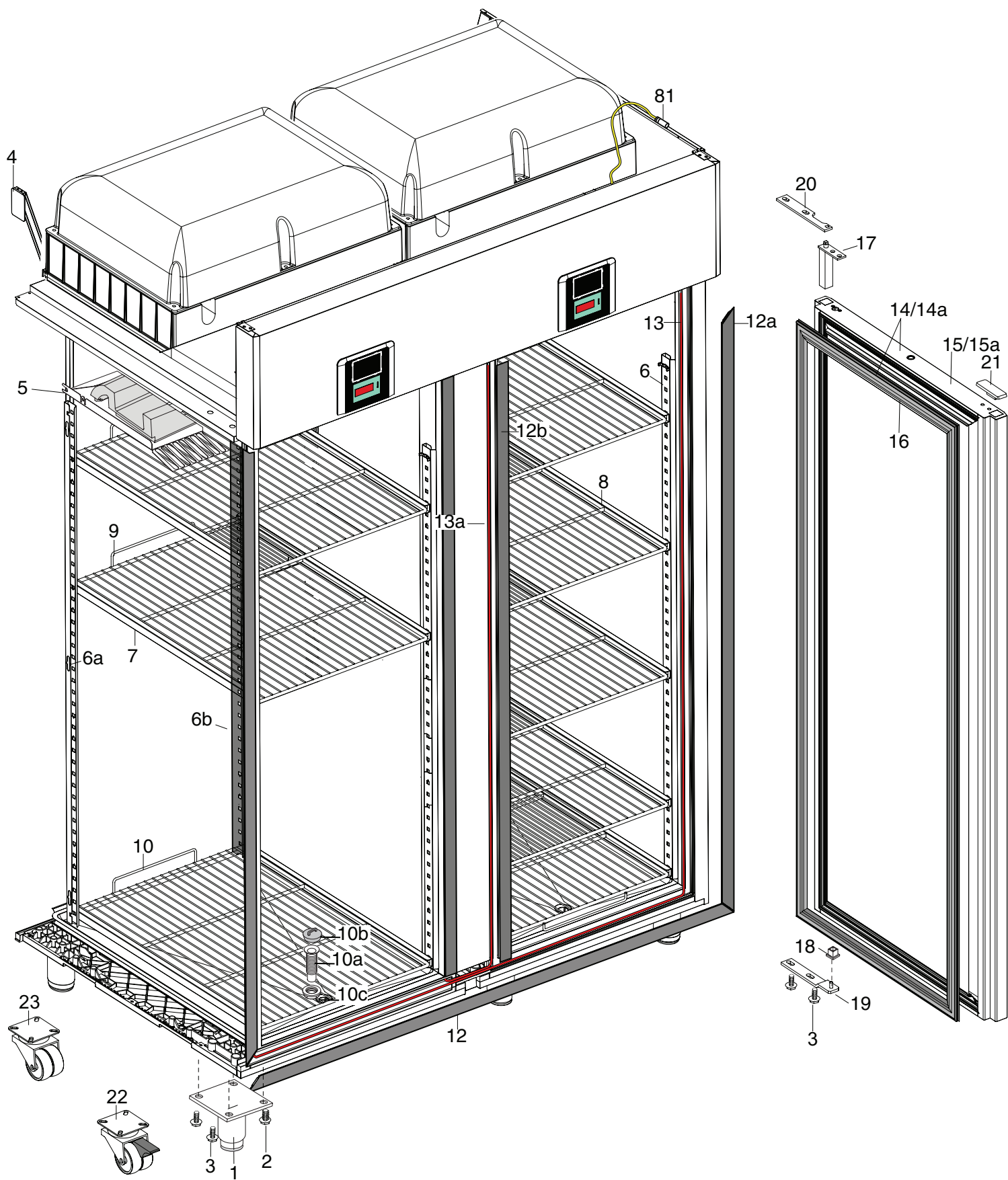
CABINETS PREMIUM
DUAL TEMPERATURE R290

PNC	En.Ch.	Model	Ref.	Page
110793	00/00	2-DOOR DUAL REFR 1430L -2-22°C,DIGITAL-R290 ZANUSSI	i	2,3,4,5,6,7,8
110794	00/00	2-DOOR DUAL REFR. 1430L- 2-2°C,DIGITAL-R290 ZANUSSI	m	2,3,4,7,8
727326	07/19	DUAL 2 DOORS -2/-2°C A304 R290 SBS ELUX	a	2,3,4,7,8
727327	08/20	DUAL 2 DOORS -2/-22°C A304 R290 SBS ELUX	d	2,3,4,5,6,7,8
727391	07/20	DUAL 2 DOORS -2/-2°C A304 R290 SBS ELUX UK	c	2,3,4,7,8
727392	08/21	DUAL 2 DOORS -2/-22°C A304 R290 SBS ELUX UK	f	2,3,4,5,6,7,8
728698	07/19	DUAL 2 DOORS -2/-2°C A304 R290 SBS ALPEN	b	2,3,4,7,8
728699	08/20	DUAL 2 DOORS -2/-22°C A304 R290 SBS ALPEN	e	2,3,4,5,6,7,8
728742	02/15	DUAL 2 DOORS -2/-2°C A304 R290 SBS ALPEN UK	g	2,3,4,7,8
728743	03/16	DUAL 2 DOORS -2/-22°C A304 R290 SBS ELUX UK	h	2,3,4,5,6,7,8

Note: per la corretta identificazione dei componenti, attenersi esclusivamente alle pagine indicate e alla lettera di riferimento.

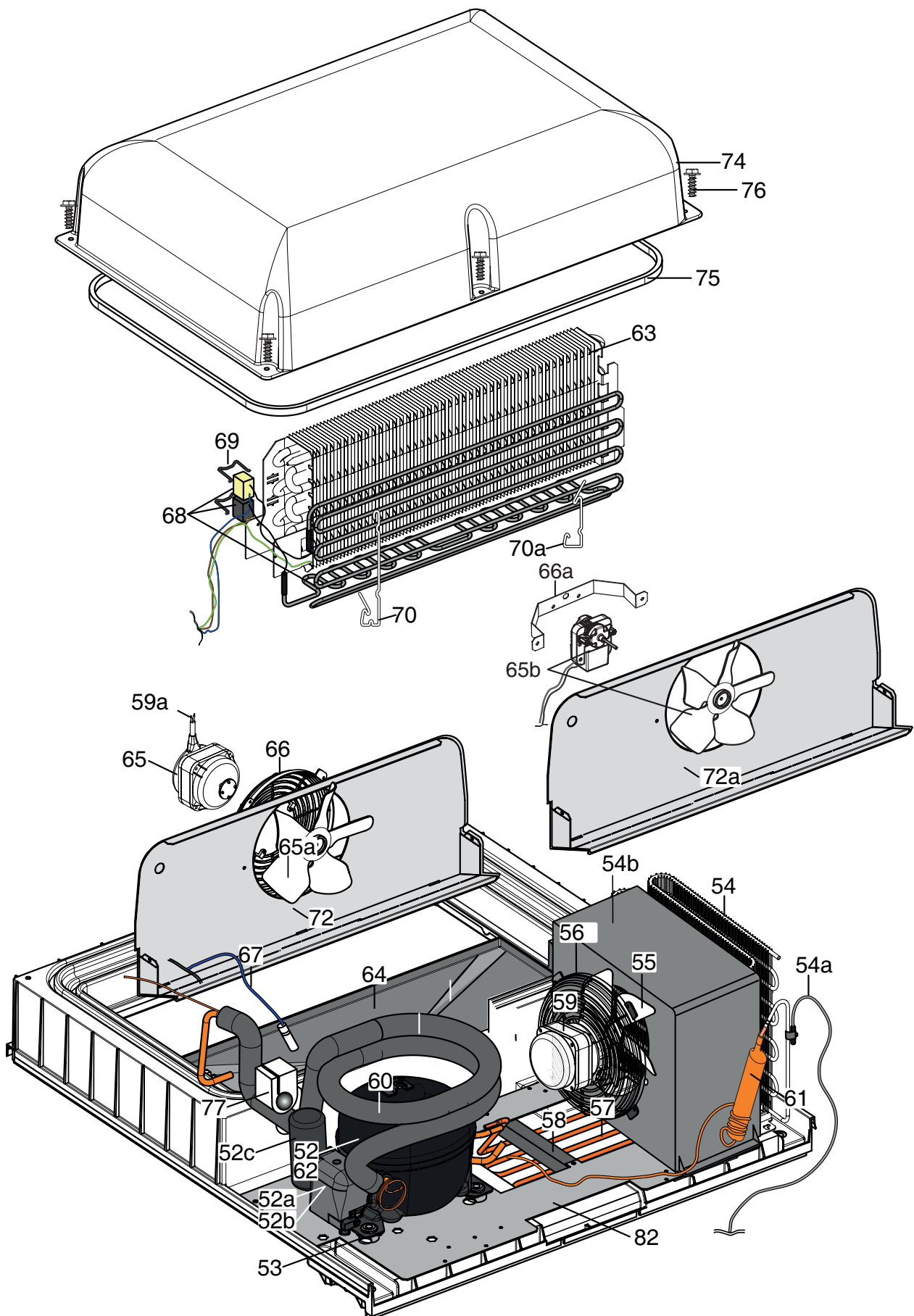
Note: for the correct identification of the components, follow the indicated pages and the reference letter.

	Index	Indice
Pag. 2	Cabinet and door	Armadio e porta
3,4	Cooling unit assembly	Gruppo refrigerante
5,6	Cooling unit assembly	Gruppo refrigerante
7,8	Control panel	Pannello comandi
9-12	Spare parts list	Lista ricambi



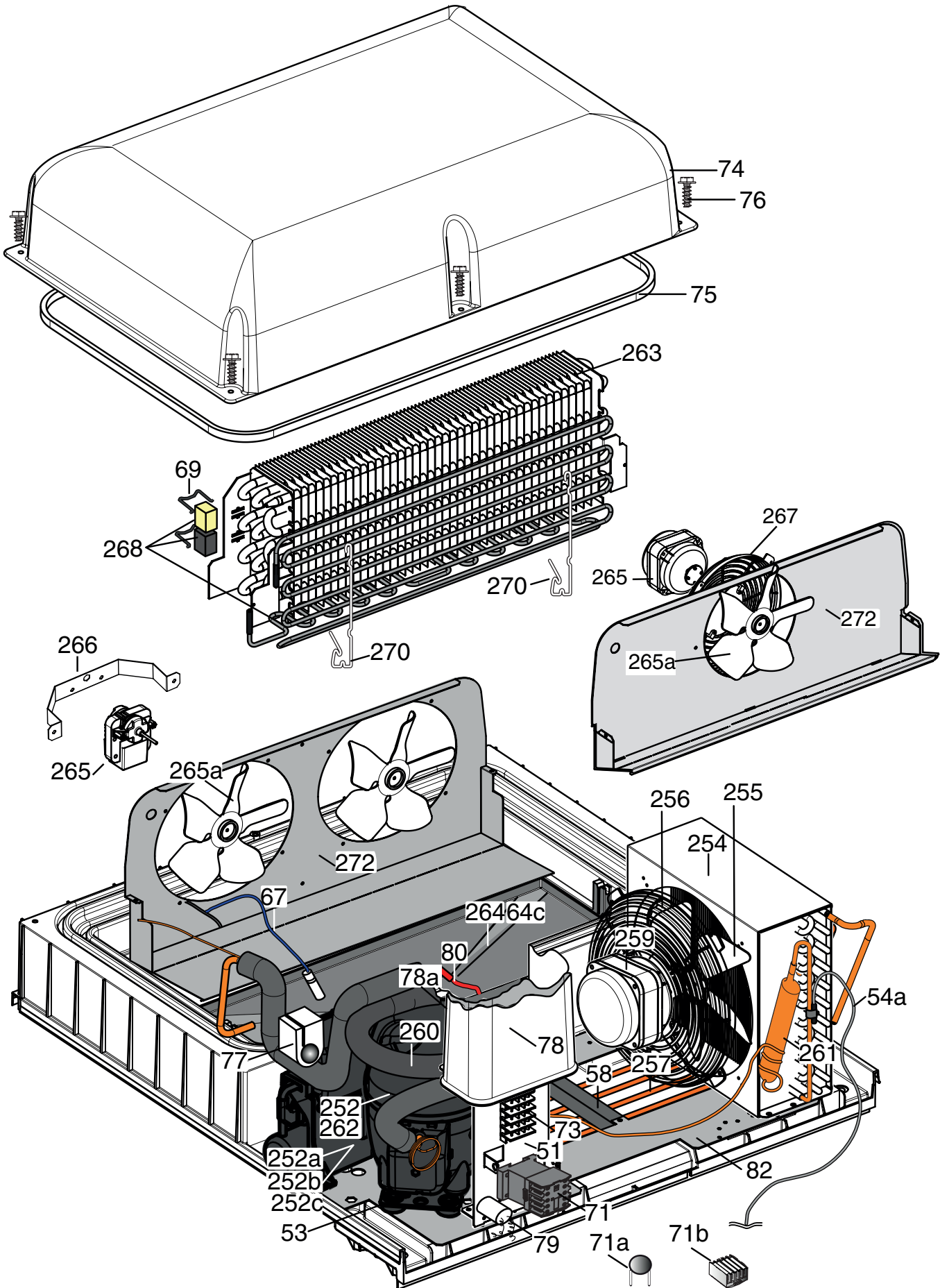
TN COOLING UNIT ASSEMBLY

from 2021/38

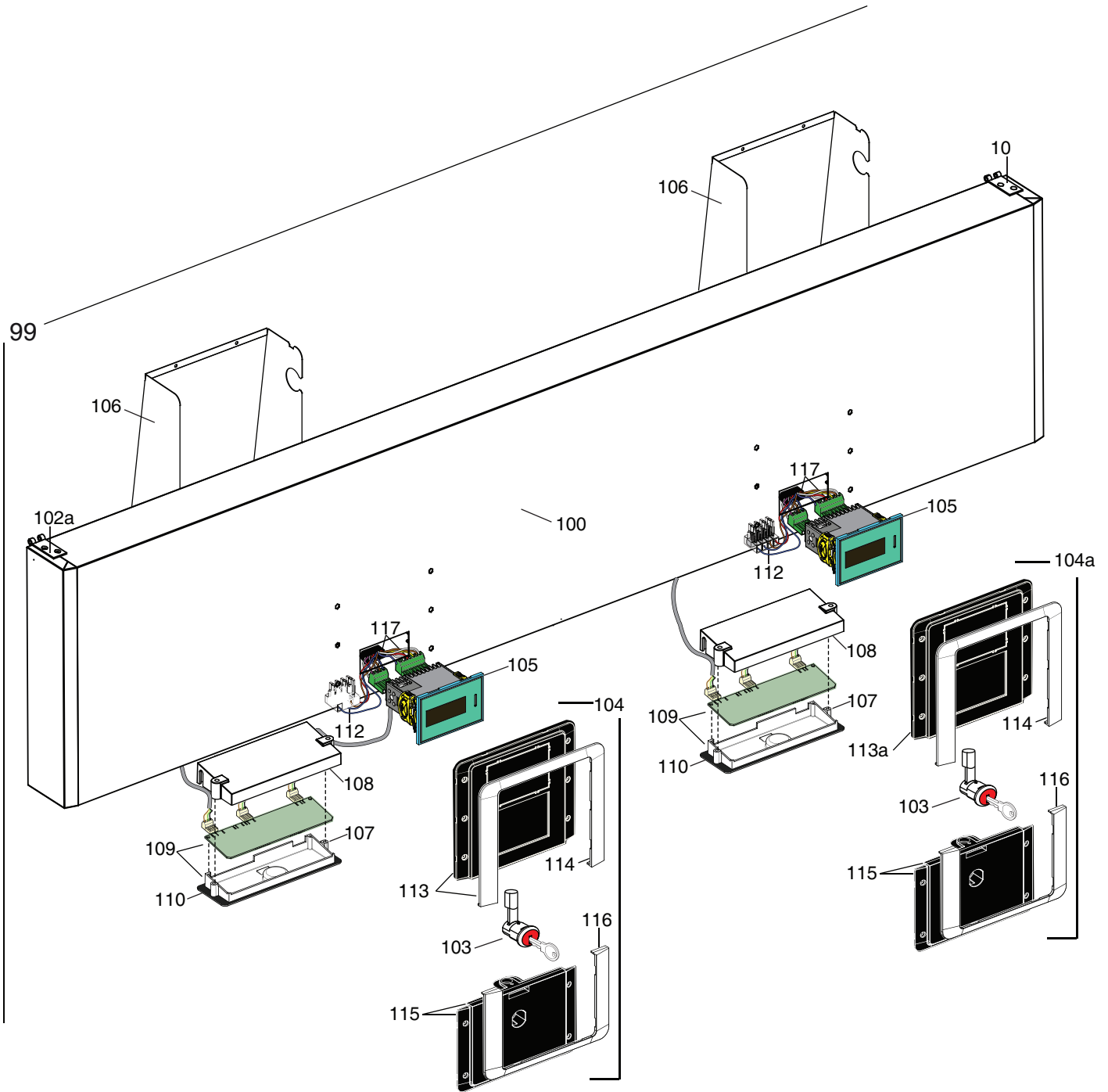


BT COOLING UNIT ASSEMBLY

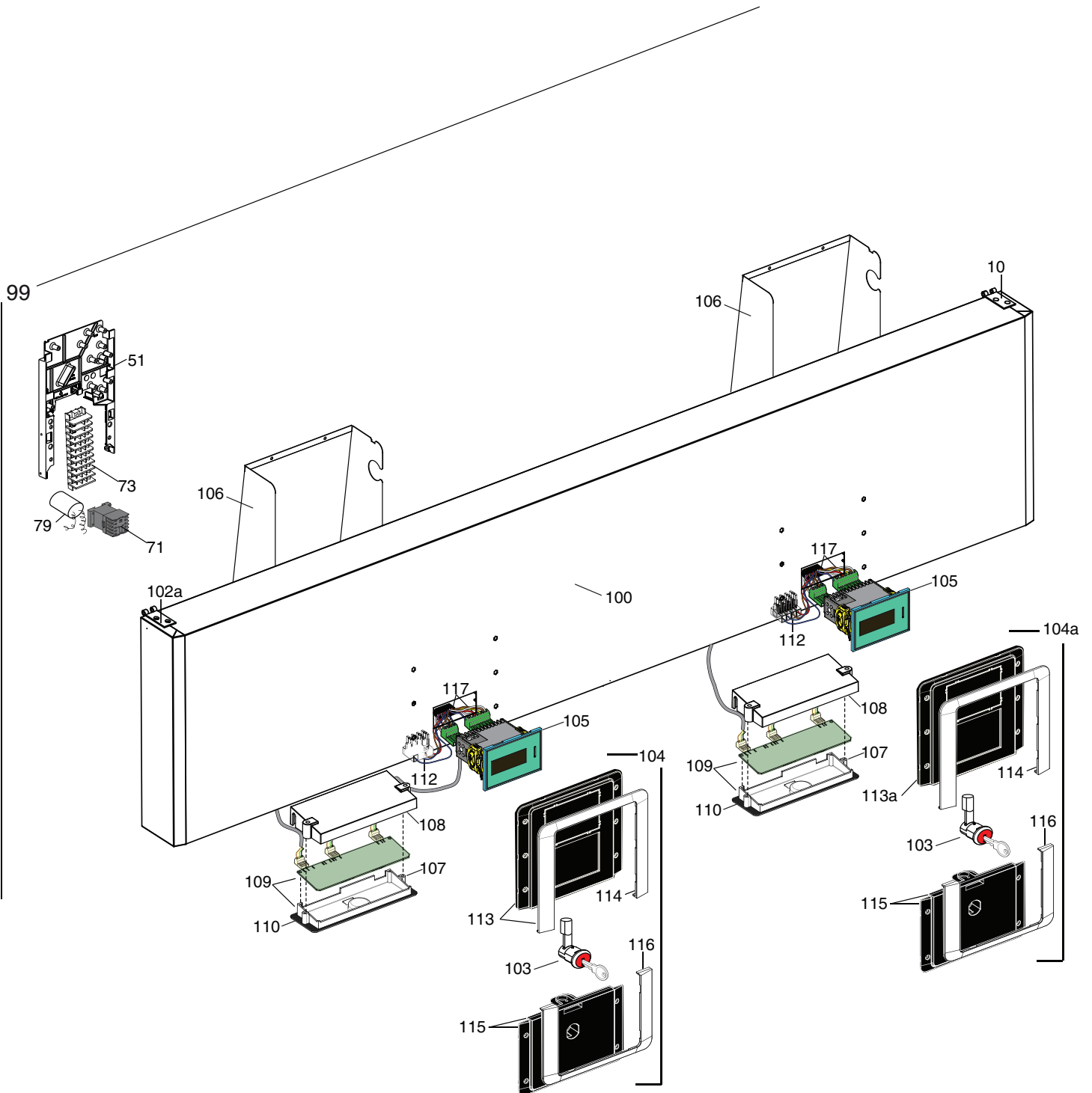
up to 2021/37



CONTROL PANEL up to 2021/37



CONTROL PANEL from 2021/38



PNC	Ref.	PNC	Ref.	PNC	Ref.	PNC	Ref.	PNC	Ref.	PNC	Ref.	PNC	Ref.
727326	a	728698	b	727391	c	727327	d	728699	e	727392	f	728742	g
728743	h	110793	i	110794	m								

Pos	Spare parts code	Factory code	Descrizione	Description	Ref - Note
1	093243	541R05001	Piedino	Foot	
2	093245	217555204	Vite per plastica per piedino	Screw (use by fix foot)	
3	093246	518708601	Vite m8x20 per fiss. staffa sup/inf	Screw m8X20 (use by fix bracket)	
4	*	502R18200	Staffa supporto fianchi	Side support	
5	*	875R37401	Assieme carter interno	Internal protection assembly	TN SIDE
5	097108	875R37600	Assieme carter interno	Internal protection assembly	BT SIDE
6	093355	501R36201	Cremagliera anteriore	Front Rack	
6a	093357	501R36101	Cremagliera pst. sx	Back left Rack	
6b	093356	501R48300	Cremagliera pst. dx	Back right Rack	
7	093358	501R48000	Guida Sx	Left support	
8	093359	501R48200	Guida Dx	Right support	
9	093252	514R10600	Griglia 2/1 rilsan	Grid 2/1 rilsan	a,c,d,f,g,h, i,m
9	093360	514R10700	Griglia 2/1 aisi 304	Grid 2/1 aisi 304	b,e
10	093253	514R12200	Griglia di fondo rilsan	Bottom grid rilsan	a,c,d,f,g,h, i,m
10	093296	514R12100	Griglia di fondo aisi 304	Bottom grid aisi 304	b,e
10a	081823	544701300	Piletta di scarico	Drain pipe	up to 237070.. (2012)
10a	093714	546R26000	Piletta di scarico	Drain pipe	from 238100.. (2012)
10b	085535	545733700	Tappo per piletta	Drain pipe plug	
10c	081797	544701400	Controdado per piletta	Drain pipe nut	
12	093254	832R09001	Cornice orrizzontale	Orrizzontal frame	
12a	093255	832R09101	Cornice verticale	Vertical frame	
12b	093255	832R09101	Cornice verticale montante	Vertical frame central support	
13a	093330	617R06701	Cavo riscaldante cornice 22,25 W	Heating cable frame 22,25 W	d,e,f,h,i up to 2021/37
13a	094841	617R13200	Cavo riscaldante cornice 22,25 W	Heating cable frame 22,25 W	d,e,f,h,i from 2021/38
13	093361	617R07101	Cavo riscaldante cornice 8,9W	Heating cable frame 8,9W	a,b,c,d,e,f,g,h, i,m up to 2021/37
13	097288	617R26000	Cavo riscaldante cornice 8,9W	Heating cable frame 8,9W	a,b,c,d,e,f,g, h,i,m from 2021/38
14	093478	835R27208	Porta con guarn. cern.e masch. sx	Gasket, hinge, template and door (left)	a,b,c,d,e,f,g, h,i,m
14a	093503	835R26908	Porta con guarnizione e cerniere dx	Gasket, hinge and door (right)	d,e,f,h,i
15	093477	835R27607	Porta sx per mascherina	Door (left) for template	a,b,c,d,e,f,g, h,i,m
15a	093504	835R26707	Porta dx	Door (right)	d,e,f,h,i
16	094152	548R08000	Guarnizione porta cieca	Gasket full door	
17	082219	835704001	Cerniera porta	Hinge door	
18	081654	544700601	Boccola per porta	Door bush	
19	093341	833R21600	Staffa inferiore porta	Lower stirrup door	
20	082257	505723801	Staffa superiore porta	Upper stirrup door	
21	093271	541R05301	Tappo per cerniere	Hole hinge plug	
22	093575	835R24900	Ruota rotante con freno	Brake weel	c,f,g,h
23	093574	835R24800	Ruota rotante	Weel	c,f,g,h

PNC	Ref.	PNC	Ref.	PNC	Ref.	PNC	Ref.	PNC	Ref.	PNC	Ref.	PNC	Ref.
727326	a	728698	b	727391	c	727327	d	728699	e	727392	f	728742	g
728743	h	110793	i	110794	m								

Pos	Spare parts code	Factory code	Descrizione	Description	Ref - Note
51	*	502R24300	Supporto impianto elettrico	Electrical wiring support	Up to 2021/37
51	097284	546R43401	Supporto impianto elettrico	Electrical wiring support	From 2021/38
*	*	880R55513	Mod. gruppo tn sx	Left Cooling unit refrig.	
*	*	880R68311	Mod. gruppo tn dx	Right Cooling unit refrig.	
52	093425	684R05700	Compressore (EMT6144U) 220/50	Compressor (EMT6144U) 220/50hz	
52a	*	*	Relè avviamento	Start relay	
52b	*	*	Protettore	Protector	
52c	*	*	Condensatore di avviamento	Start capacitor	
53	087122	518708401	Fissaggio compressore	Rubber compressor	
54	093346	830R06500	Condensatore 4R D4.76	Condenser 4R D4.76	
54a	092360	646R09400	Sonda condensatore	Probe condenser	
54b	093602	546R24200	Copertura condensatore	Condenser cover	
55	089697	511708800	Ventola 230-31 (elco)	Ventola 230-31(elco)	
56	089755	546709500	Protezione ventola	Fan protection	
57	093259	515R12700	Serpentina evap. acqua di conden.	Evaporation water pipe	
58	093260	543R09300	Fissaggio serpentina	Stopper pipe	
59	096995	682R14200	Ventilatore condensatore (elco)	Condenser fan (elco)	
59a	097055	635R37900	Cablaggio ventilatore	Fan wiring	Up to 2022/11
59a	097055	635R37900	Cablaggio ventilatore	Fan wiring	From 2023/50
60	096488	858R06900	Scambiatore	Heat exchanger	
61	099949	858R00100	Filtro	Dehidrator filter	
62	0A8171	A02021800	Valvola per compressore	Compressor valve	
63	093430	830R03901	Evaporatore 2R 8T	Evaporator 2R 8T	
64	093469	546R19201	Vaschetta evaporatore	Evaporator tray	
64c	093409	548R07200	Isolante per vaschetta evaporatore	Evaporator tray insulation	
65	093367	682R05800	Ventilatore evaporatore EBM	Evaporator fan EBM	Up to 2021/37
65	096231	682R12600	Ventilatore evaporatore EBM	Evaporator fan EBM	From 2021/38 Up to 2022/11
65	096231	682R12600	Ventilatore evaporatore EBM	Evaporator fan EBM	From 2023/50
65a	084920	511705100	Ventola 230-31 ebm	Fan 230 -31 ebm	Up to 2013/08
65a	093783	511R01200	Ventola 200X28 ebm	Fan 200X28 ebm	From 2013/09 Up to 2022/11
65a	093783	511R01200	Ventola 200X28 ebm	Fan 200X28 ebm	From 2023/50
65b	097000	682R02C00	Ventilatore evaporatore (FIME)	Evaporator fan (FIME)	From 2022/12 Up to 2023/49
66	089770	546709600	Griglia ventilatore	Motor fan grid	Up to 2022/11
66	089770	546709600	Griglia ventilatore	Motor fan grid	From 2023/50
66a	093326	502R52400	Staffa	Motor fan support	From 2022/12 Up to 2023/49
67	092173	646R06700	Sonda cella	Cavity probe	
68	093327	617R06101	Resistenza con termost.	Heating element with thermostat	
69	093487	514R11601	Molla per fissaggio termostati	Thermostat spring	
70	093368	514R10801	Molla per fissaggio resistenza	Heating element spring	
70a	093353	514R12000	Molla per fissaggio resistenza	Heating element spring	
71	093848	648R06300	Rele' FINDER 66.82.8.230.0001	Relay FINDER 66.82.8.230.0001	

PNC	Ref.	PNC	Ref.	PNC	Ref.	PNC	Ref.	PNC	Ref.	PNC	Ref.	PNC	Ref.
727326	a	728698	b	727391	c	727327	d	728699	e	727392	f	728742	g
728743	h	110793	i	110794	m								

Pos	Spare parts code	Factory code	Descrizione	Description	Ref - Note
71a	093776	648R05300	Varistore	Varistor	
71b	093775	648R05700	Dissipatore	Dissipator	
72	093370	501R43901	Convogliatore evaporat. pala 1 foro	Evaporator conveyor 1 hole	Up to 2022/11
72	093370	501R43901	Convogliatore evaporat. pala 1 foro	Evaporator conveyor 1 hole	From 2023/50
72a	093294	501R44003	Convogliatore evaporat. pala 1 foro	Evaporator conveyor 1 hole	From 2022/12 Up to 2023/49
73	093528	639R09900	Morsettiera	Clamp	
74	093261	835R24101	Assieme Calotta	Evaporator cover	Up to 6181
74	095201	835R47601	Assieme Calotta	Evaporator cover	From 6191
*	095200	881R32401	Modulo Calotta TN	Evaporator cover Module TN	
75	093262	14701R003	Neoprene espa. 8x13,3 nero (M4)	Gasket cover (neoprene 8x13,3)	
76	093245	217555204	Vite senza punta x plastica	Cover screw	
77	093263	546R19702	Tamponcino per tubi	Pipe cover insulation	
78	094425	546R26501	Copertura scatola impianto elettrico	Wiring box cover	Up to 2021/37
78a	093976	546R26701	Scatola impianto elettrico	Wiring box	Up to 2021/37
79	096636	694R00502	Filtro antidisturbo	Electrical filter	
80	093415	617R07801	Resistenza scarico condensa	Drain heating	
81	093371	646R10900	Sonda ambiente	Ambient probe	
82	094451	546R26800	Basamento gruppo	Basement	
99	*	880R66905	Cruscotto senza mascherina	Panel without template	Up to 2021/37
99	*	883R34601	Cruscotto senza mascherina TN/TN	Panel without template TN/TN	a,b,m from 2021/38 up to 2022/04
99		883R70601	Cruscotto senza mascherina TN/TN	Panel without template TN/TN	a,b,m from 2022/05
99	*	883R34702	Cruscotto senza mascherina TN/BT	Panel without template TN/BT	d,e,i from 2021/38
100	095303	509R13803	Cruscotto	Panel 304 AISI	Up to 2021/37
100	097280	509R25401	Cruscotto	Panel 304 AISI	From 2021/38
102	093609	832R10100	Cerniera cruscotto dx	Hinge for panel right	
102a	093610	832R10200	Cerniera cruscotto sx	Hinge for panel left	
103	093345	833R20900	Serratura	Latch	
104	093380	855R10801	Ass.masch. porta/cruscotto Elux	Complete template door and panel	a,c,d,f
104	093381	855R10900	Ass.masch. porta/cruscotto ZAN	Complete template door and panel	i,m
104	093382	855R11000	Ass.masch. porta/cruscotto Apx	Complete template door and panel	b,e,g,h
104a	093383	855R11101	Ass.masch. porta/cruscotto Elux	Complete template door and panel	d,f
104a	093384	855R11200	Ass.masch. porta/cruscotto ZAN	Complete template door and panel	i
104a	093385	855R11300	Ass.masch. porta/cruscotto Apx	Complete template door and panel	e,g,h
105	093437	646R10602	Termoregolatore ir33 premium pc	Thermoregulator premium	
106	094389	501R37403	Protezione	Protection led-lamp	Up to 2021/43
106	097245	504R35000	Protezione	Protection led-lamp	From 2021/44
107	093386	546R19501	Supporto scheda led	Support led-lamp	
108	093387	546R19600	Protezione scheda led	Protection led-lamp	
109	093809	855R12801	Scheda led 2M+supporto	Led-lamp board GL+support	
110	093390	569R05900	Guarnizione per scheda led	Ledlamp board gasket	
112	093391	639R10400	Morsetto	Clamp	
113	*	855R09900	Ass. mascherina cruscotto Elux	Assembled template panel Elux	a,c,d,f
113	*	855R10000	Ass. mascherina cruscotto ZAN	Assembled template panel ZAN	i,m
113	*	855R10100	Ass. mascherina cruscotto Apx	Assembled template panel Apx	b,e,g,h

PNC	Ref.	PNC	Ref.	PNC	Ref.	PNC	Ref.	PNC	Ref.	PNC	Ref.	PNC	Ref.
727326	a	728698	b	727391	c	727327	d	728699	e	727392	f	728742	g
728743	h	110793	i	110794	m								
Pos	Spare parts code	Factory code	Descrizione				Description				Ref - Note		
113a	*	855R10200	Ass. mascherina cruscotto Elux				Assembled template panel Elux				d,f		
113a	*	855R10300	Ass. mascherina cruscotto ZAN				Assembled template panel ZAN				i		
113a	*	855R10400	Ass. mascherina cruscotto Apx				Assembled template panel Apx				e,g,h		
114	*	546R20000	Cornice mascherina cruscotto elux				Template frame for panel Elux				a,c,d,f		
114	*	546R20100	Cornice mascherina cruscotto Z/Apx				Template frame for panel Z/Apx				b,e,g,h,i,m		
115	*	855R10500	Ass. mascherina porta Elux				Assembled template door Elux				a,c,d,f		
115	*	855R10600	Ass. mascherina porta ZAN				Assembled template door ZAN				i,m		
115	*	855R10700	Ass. mascherina porta Apx				Assembled template door Apx				b,e,g,h		
116	*	546R20200	Cornice mascherina porta Elux				Control door frame ELux				a,c,f		
116	*	546R20300	Cornice mascherina porta Z/Apx				Control door frame Z/Apx				b,e,g,h,i,m		
*	093491	217541085	Vite per fissaggio mascherina M3x8				Screws M3X8 for control door/panel						
117	092663	639R06800	Connettore dritto 3 vie				Connector 3 ways right						
117	092335	639R06900	Connettore dritto 7 vie				Connector 7 ways right						
117	099740	639730200	Connettore 90° 7 vie				Connector 7 ways 90°						
117	099741	639735900	Connettore 90° 5 vie				Connector 5 ways 90°						
117	088998	639722900	Connettore 90° 3 vie				Connector 3 ways 90°						
117	099743		Connettore 90° 3 vie piccolo				Connector 3 ways 90° small						
117	099742	639722800	Connettore 90° 2 vie				Connector 2 ways 90°						
117	091682	639R04400	Connettore 90° 4 vie				Connector 4 ways 90°						
117	091684	639R405	Connettore 90° 5 vie				Connector 5 ways 90°						
*	093180	639R09600	Convertitore spina UK				UK plug converter				c,f,g,h		
		880R68413	Mod. gruppo dx bt R290A				Cooling unit freezer						
252	093422	684R05800	Compressore (NT2170U) 220-40/50				Compressor (NT2170U) 220-40/50hz				Up to 2023/34		
252	094840	684R11900	Compressore NEU2168U EMBRACO				Compressor NEU2168U EMBRACO				From 2023/35		
252a	092587	*	Relè avviamento				Start relay						
252b	093751	*	Protettore				Protector						
252c	093752	*	Condensatore di avviamento				Start capacitor						
254	093333	830R04900	Condensatore 4R-11T				Condenser 4R-11T						
255	089697	511708800	Ventola 230-31 (elco)				Ventola 230-31(elco)						
256	089755	546709500	Protezione ventola				Fan protection						
257	096537	515R13200	Serpentina evap. acqua di condensa				Evaporation water pipe				Up to 2023/34		
257	095075	515R21201	Serpentina evap. acqua di condensa				Evaporation water pipe				From 2023/35		
259	096995	682R14200	Ventilatore condensatore (elco)				Condenser fan (elco)						
260	093462	858R06800	Scambiatore				Heat exchanger				Up to 2023/34		
260	094846	858R15000	Scambiatore				Heat exchanger				From 2023/35		
261	099949	805729802	Filtro				Dehidrator filter						
263	093335	830R04001	Evaporatore 3R 8T				Evaporator 2R 8T						
264	*	501R45201	Vaschetta evaporatore				Evaporator tray						
265	096661	682R12800	Ventilatore evaporatore EBM				Evaporator fan EBM				d,e,f,h,i Up to 2022/11 see T.B. VTX2022_01		
265a	093418	541R05500	Ventola				Fan				d, e, f, h Up to 2013/19		

PNC	Ref.	PNC	Ref.	PNC	Ref.	PNC	Ref.	PNC	Ref.	PNC	Ref.	PNC	Ref.
727326	a	728698	b	727391	c	727327	d	728699	e	727392	f	728742	g
728743	h	110793	i	110794	m								

Pos	Spare parts code	Factory code	Descrizione	Description	Ref - Note
265a	093411	511R01100	Ventola	Fan	d, e, f, h From 2013/20 Up to 2022/11 see T.B. VTX2022_01
265b	097000	682R02C00	Ventilatore evaporatore (FIME)	Evaporator fan (FIME)	From 2022/12 see TB VTX2022_01
266	093326	502R52400	Staffa	Motor fan support	d, e, f, h Up to 2013/19
266	093326	502R52400	Staffa	Motor fan support	From 2022/12 see T.B. VTX2022_01
267	093412	0514R12300	Griglia ventilatore	Motor fan grid	From 2013/20 Up to 2022/11 see T.B. VTX2022_01
268	093347	617R06201	Resistenza con termost.	Heating element with thermostat	Up to 2021/37
268	097286	617R25400	Resistenza con termost.	Heating element with thermostat	From 2021/38
270	093516	514R11200	Molla per fissaggio resistenza	Heating element spring	
272	093314	501R44803	Convogliatore evaporat. FIME 2 fori	Evaporator conveyor FIME 2 holes	d, e, f, h Up to 2013/19
272	094168	501R71901	Convogliatore evaporat. ebm 1 foro	Evaporator conveyor ebm 1 hole	d, e, f, h From 2013/20 Up to 2022/11 see T.B. VTX2022_01
272	093314	501R44803	Convogliatore evaporat. FIME 2 fori	Evaporator conveyor FIME 2 holes	From 2022/12 see T.B. VTX2022_01

Finanzen / Service
28307 Bremen
Thalendorststraße 15
Tel.+49 421 48557-0
Fax+49 421 488650
bremen@nordcap.de

Vertrieb Ost
12681 Berlin
Wolfener Straße 32/34, Haus K
Tel.+49 30 936684-0
Fax+49 30 936684-44
berlin@nordcap.de

Vertrieb West
40699 Erkrath
Max-Planck-Straße 30
Tel.+49 211 540054-0
Fax+49 211 540054-54
erkrath@nordcap.de

Vertrieb Nord
21079 Hamburg
Großmoorbogen 5
Tel.+49 40 766183-0
Fax+49 40 770799
hamburg@nordcap.de

Vertrieb Süd
55218 Ingelheim
Hermann-Bopp-Straße 4
Tel.+49 6132 7101-0
Fax+49 6132 7101-20
ingelheim@nordcap.de



www.nordcap.de