

# Ersatzteilliste-Explosionszeichnung

## Geschirrspülmaschine ZLAI3WG

[Artikel-Nr.: 406502731]



**LAVASTOVIGLIE SOTTOTAVOLO / LAVASTOVIGLIE SOTTOTAVOLO  
CON ADDOLCITORE CONTINUO  
UNDERCOUNTER DISHWASHER / UNDERCOUNTER DISHWASHER  
WITH CONTINUOUS WATER SOFTENER**

**ELAI / ELI / ET5 / CLAI / NLAI / VLAI / XLAI / ZLAI / ZLI**

<b>PRESSURIZED</b>							
<b>Code</b>	<b>Type</b>	<b>Ref.</b>	<b>Pagina/Page</b>	<b>Code</b>	<b>Type</b>	<b>Ref.</b>	<b>Pagina/Page</b>
502701	ELI3	a	2 3 6 7	502713	ELI3G6M	e	2 3 6 7
502702	ELI3CG	b	2 3 6 7	502714	ELI1G36M	f	2 3 6 7
502711	ELI3G5M	c	2 3 6 7	502725	ZLI3	g	2 3 6 7
502712	ELI3G35M	d	2 3 6 7	502726	ZLI3CD	h	2 3 6 7
<b>ATMOSPHERIC</b>							
<b>Code</b>	<b>Type</b>	<b>Ref.</b>	<b>Pagina/Page</b>	<b>Code</b>	<b>Type</b>	<b>Ref.</b>	<b>Pagina/Page</b>
502703	ELAI3	i	2 3 4 5 7	502728	ZLAI3P	a2	2 3 4 5 7
502704	ELAI3P	j	2 3 4 5 7	502729	ZLAI3G	a3	2 3 4 5 7
502705	ELAI3P6	k	2 3 4 5 7	502730	ZLAI3WP	a4	2 3 4 5 7
502706	ELAI3G	l	2 3 4 5 7	502731	ZLAI3WG	a5	2 3 4 5 7
502707	ELAI1G	m	2 3 4 5 7	502733	NLAI3G	a6	2 3 4 5 7
502708	ELAI3GNR	n	2 3 4 5 7	502734	NLAI1WG	a7	2 3 4 5 7
502709	ELAI3WP	o	2 3 4 5 7	502735	VLAI3G	a8	2 3 4 5 7
502710	ELAI1WG	p	2 3 4 5 7	502736	VLAI1G8	a9	2 3 4 5 7
502715	ELAI3GUSPH6	q	2 3 4 5 7	502737	VLAI1G4	b1	2 3 4 5 7
502716	ELAI1G8	r	2 3 4 5 7	502738	CLAI1G	b2	2 3 4 5 7
502717	ELAI1G4	s	2 3 4 5 7	502739	XLAI3G	b3	2 3 4 5 7
502718	ELAI3GTL	t	2 3 4 5 7	502740	ET5AI	b4	2 3 4 5 7
502719	ELAI3GCL	u	2 3 4 5 7	502741	ET5AIP	b5	2 3 4 5 7
502720	ELAI1GCL	v	2 3 4 5 7	<b>502743</b>	<b>DW6-38</b>	<b>b6</b>	<b>2 3 4 5 7</b>
502721	ELAI3GWL	w	2 3 4 5 7	<b>502744</b>	<b>ELAI3GUSPH5</b>	<b>b7</b>	<b>2 3 4 5 7</b>
502722	ELAI3PML	x	2 3 4 5 7	<b>502745</b>	<b>NLAI3CG</b>	<b>b8</b>	<b>2 3 4 5 7</b>
502723	ELAI3GML	y	2 3 4 5 7	<b>502746</b>	<b>HLAI3GNR</b>	<b>b9</b>	<b>2 3 4 5 7</b>
502724	ELAI3WGML	z	2 3 4 5 7	<b>502747</b>	<b>DLAI3GNR</b>	<b>c1</b>	<b>2 3 4 5 7</b>
502727	ZLAI3	a1	2 3 4 5 7				

**Pag./Page**

2  
3  
4-5  
6  
7  
8-16  
17

**Indice**

Vista generale  
Componenti idraulici  
Circuito idraulico atmosferico  
Circuito idraulico a pressione  
Componenti elettrici  
Lista ricambi  
KIT manutenzione annuale

**Index**

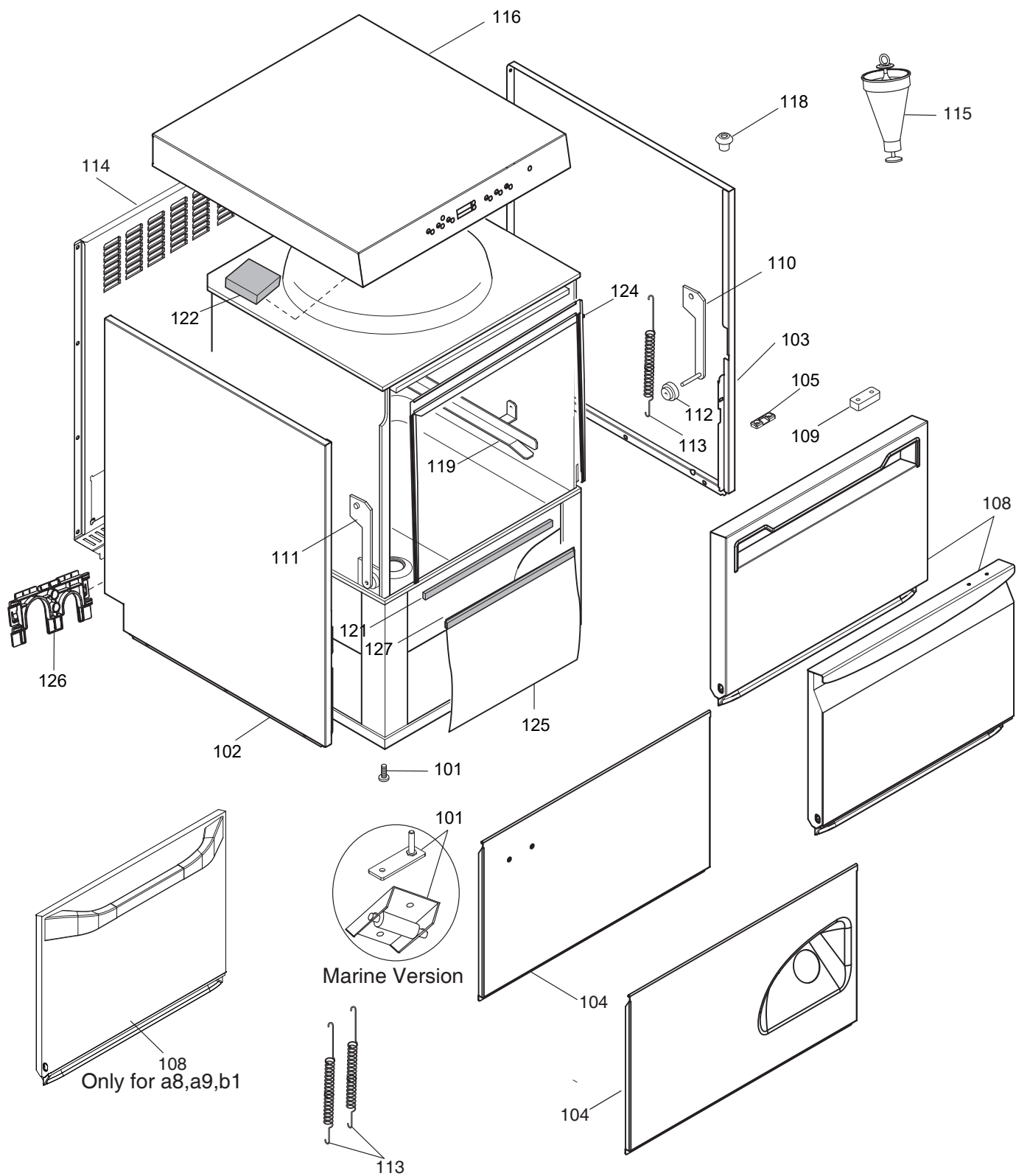
Main view  
Hydraulic components  
Atmospheric plumbing circuit  
Pressurized plumbing circuit  
Electrical components  
Spare parts list  
Yearly maintenance KIT

**Paese/Country:** Tutti/All

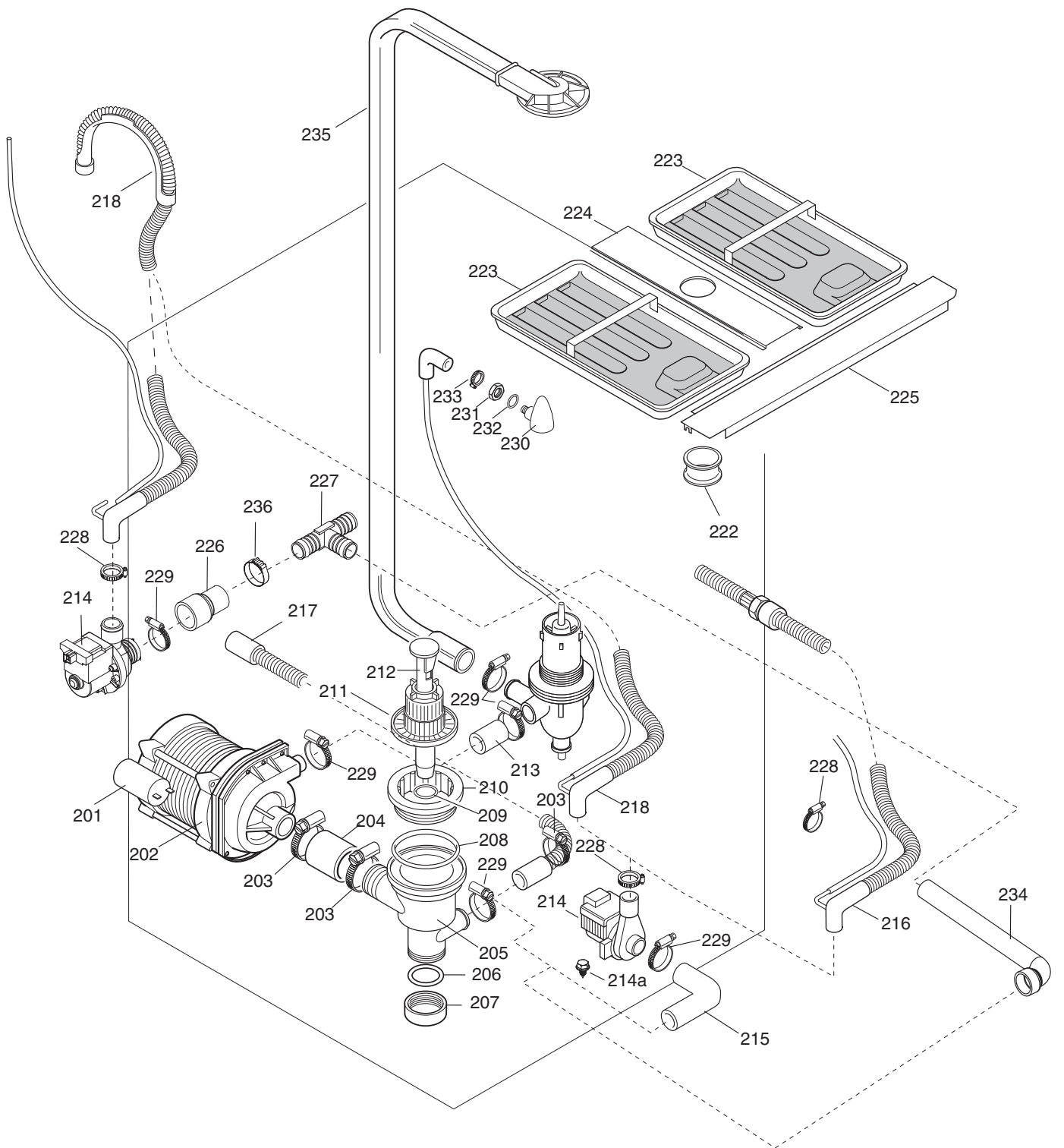
Da Ser. Nr./ From Ser.nr.:

Ed. 2020 - 10  
Updated 2022 - 11

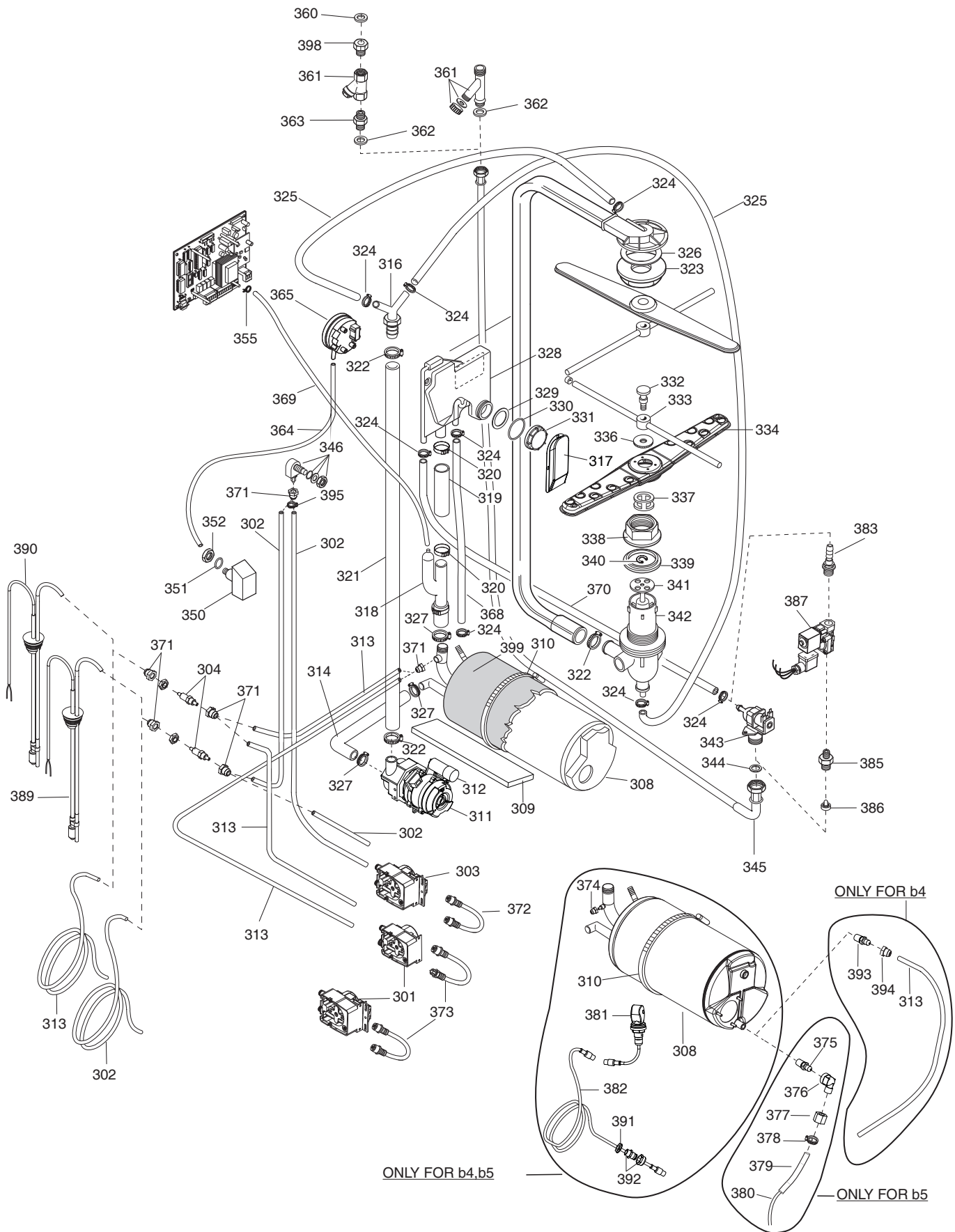
Doc. Nr.: **59566UM00**



**Vista generale / Main View**

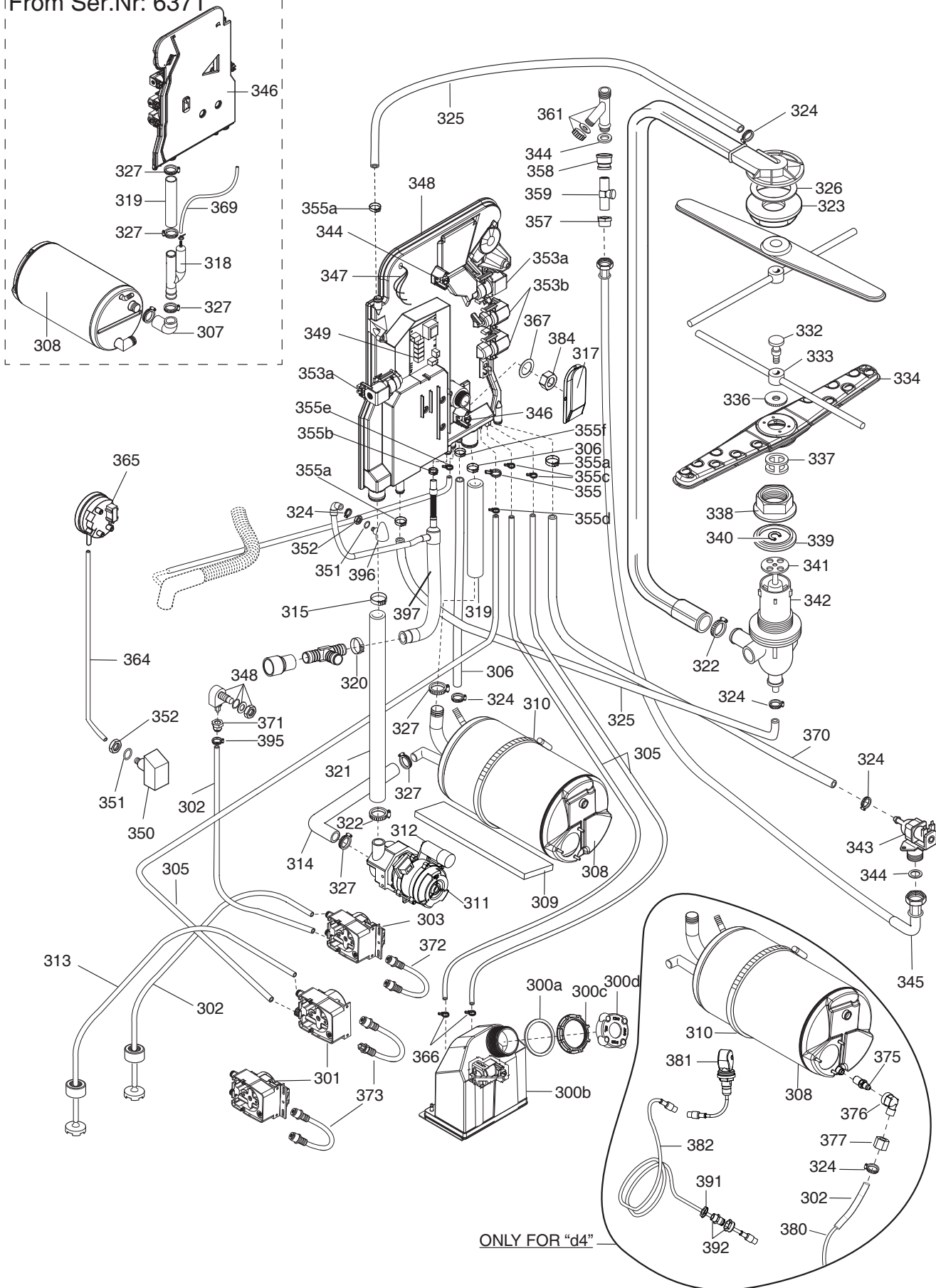


**Componenti idraulici / Hydraulic components**

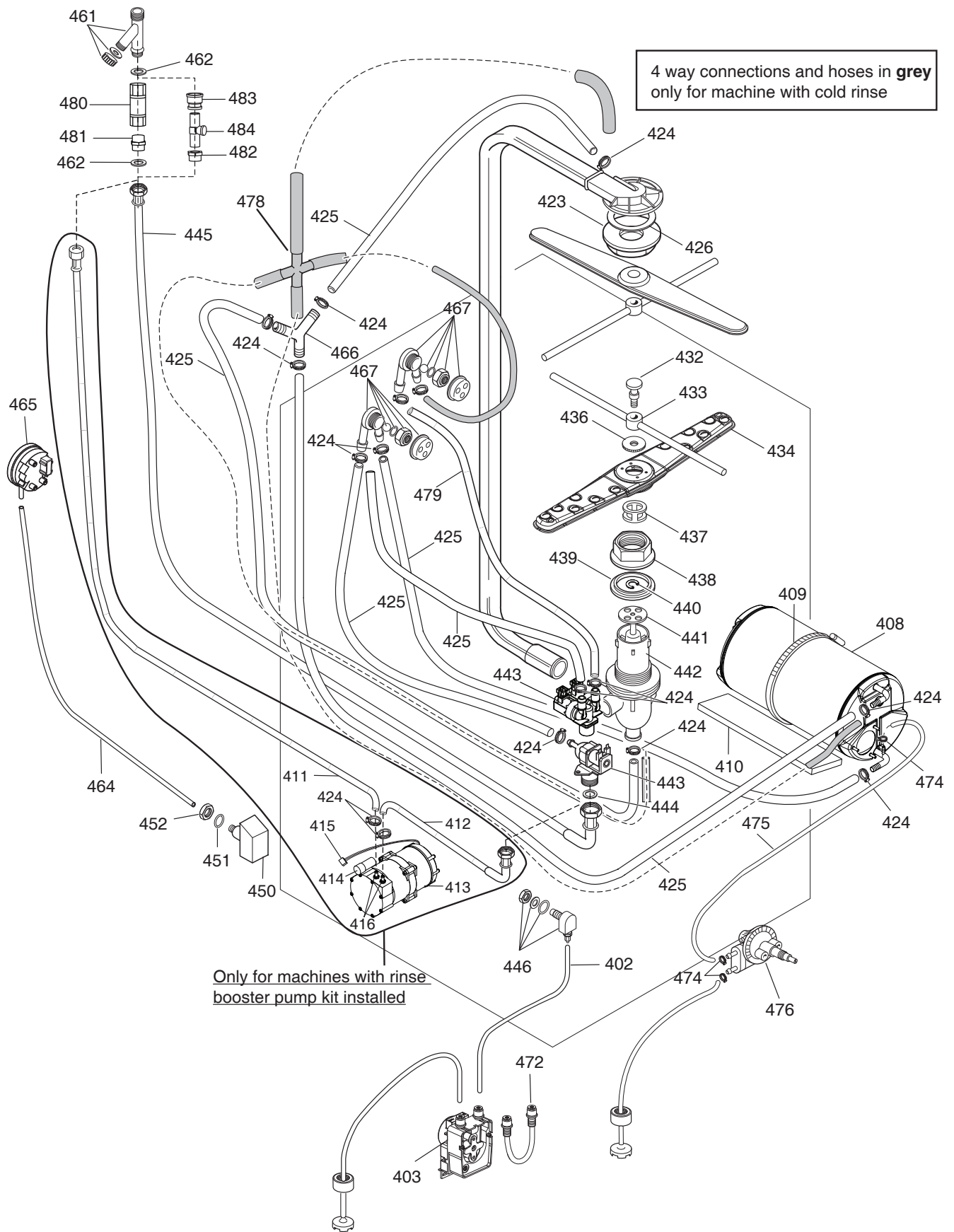


**Circuito idraulico atmosferico / Atmospheric plumbing circuit**

From Ser.Nr: 6371

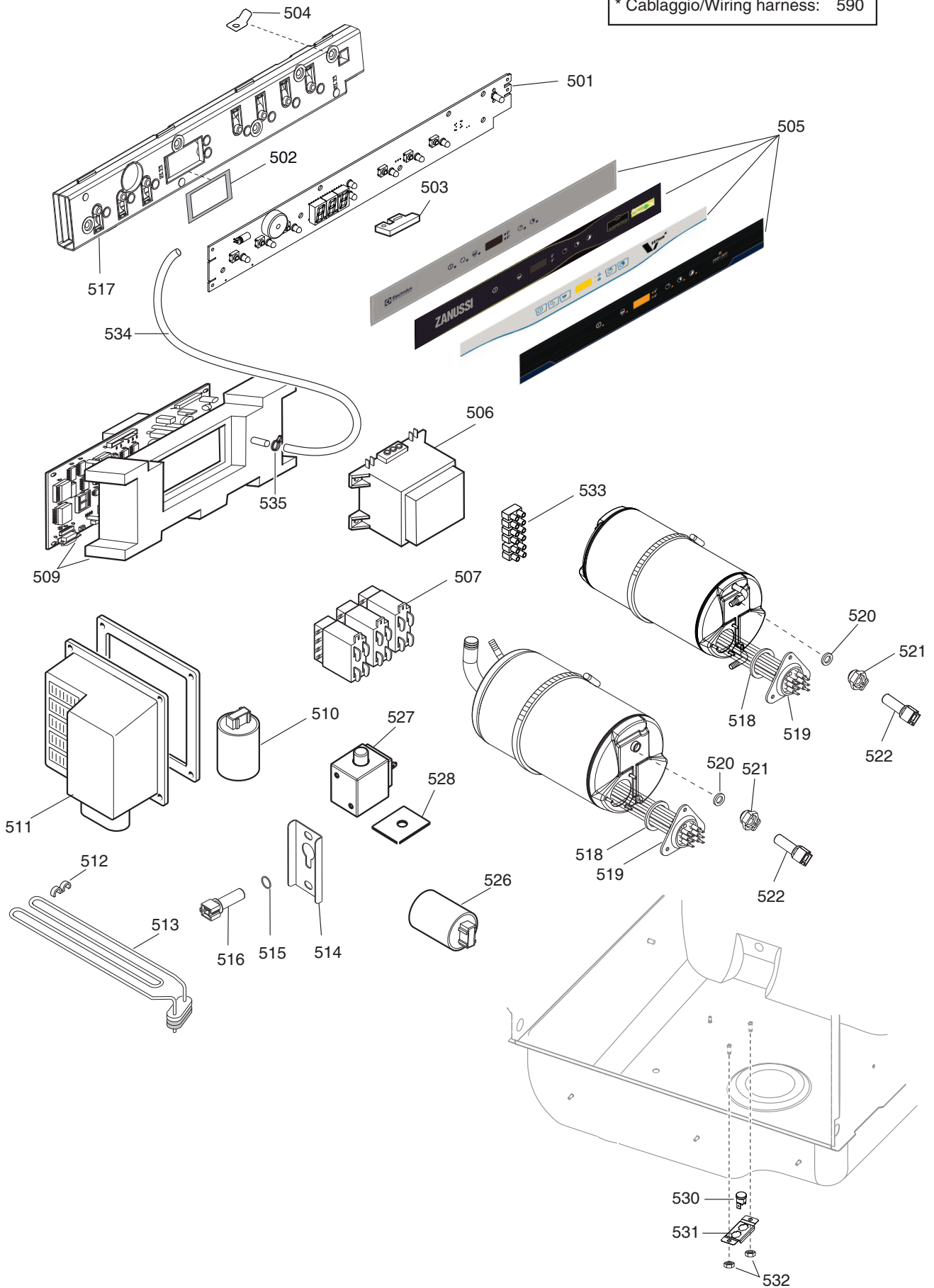


**Circuito idraulico atmosferico / Atmospheric plumbing circuit - o,p,z,a4,a5,a7**



**Circuito idraulico a pressione / Pressurized plumbing circuit**

\* Cablaggio/Wiring harness: 590



### Componenti elettrici / Electrical components



**LAVASTOVIGLIE SOTTOTAVOLO EUCI / EUCAI  
UNDERCOUNTER DISHWASHER EUCI / EUCAI**

**Grassetto = variazioni  
Bold Print = changes**

Pos.	Cod. Ric. Part No.	Descrizione	Description	Note / Notes
		Pagina 2: Vista generale	Page 2: Main view	
101	049393	Piedino regolabile	Adjustable foot	a,b,g,h,i,j,k,l,m,n,o,p,r,s,t,w,x,z, a1,a2,a3,a4,a5,a6,a7,a8,a9,b1, b2,b3,b4,b5,b6,b8,b9,c1
101	0L0118	Piede a rullo	Roller	q,u,v,y,b7
101	048994	Piede a rullo	Roller	c,d,e,f
102	0L4747	Pannello laterale; sx	Side panel; left	Not for c,d,e,f,q,b7
102	0L4713	Pannello laterale; sx	Side panel; left	c,d,e,f,q,b7
103	0L4748	Pannello laterale; dx	Side panel; right	Not for c,d,e,f,q,b7
103	0L4714	Pannello laterale; dx	Side panel; right	c,d,e,f,q,b7
104	0L1313	Pannello frontale	Front panel	
104	0L1690	Pannello frontale	Front panel	o,p,z,a4,a5,a7
105	0L2094	Fermo porta	Door catch	y
108	0L4755	Porta Electrolux	Electrolux door	a,b,c,d,e,f,i,j,k,l,m,o,p,q,r,s,t,u, v,w,z,b7
108	0L4760	Porta Medica	Medical door	x,y,b6
108	0L4756	Porta Zanussi e To Brand	Zanussi and To Brand door	g,h,n,a1,a2,a3,a4,a5,a6,a7,b2, b3,b4,b5,b8,b9,c1
108	0L4310	Porta Veetsan	Veetsan door	a8,a9,b1
109	049627	Magnete porta (grigio)	Door magnet	g,h,a1,a2,a3,a4,a5,a6,a7,a8,a9, b1,b2,b3,b4,b5,b6,b8
110	0L0717	Ass. Leva DX	Assembly Lever right	
111	0L0718	Ass. Leva SX	Assembly Lever left	
112	048812	Bronzina	Bushing	
113	048815	Molla Porta	Door spring	
114	0L4815	Schienale	Rear panel	a,b,g,h,i,j,k,l,u,w,x,a1,a2,a3,a6,a8, b3,b4,b6,b8
114	0L4816	Schienale	Rear panel	m,n,r,s,t,v,y,a9,b1,b2,b9,c1
114	0L4817	Schienale	Rear panel	c,d,e,f
114	0L4818	Schienale	Rear panel	q,b7
114	0L4819	Schienale	Rear panel	o,p,z,a4,a5,a7
114	0L4820	Schienale	Rear panel	b5
115	047604	Misurino sale	Salt funnel	o,p,z,a4,a5,a7
116	0L4710	Coperchio	Top panel	Not for x,y
116	0L4745	Coperchio (medicale)	Top panel (medical)	x,y
118	047511	Piolino	Pin	
119	0L0516	Ass. supporto Cesto	Support; for basket	Not for b9,c1
119	0L3366	Ass. supporto Cesto dx	Right support; for basket	b
119	0L3365	Ass. supporto Cesto sx	Left support; for basket	b
121	0L0751	Guarnizione vasca	Tank gasket	
122	0L0114	Pannello di rinforzo	Insulation	
124	0L2561	Guarnizione; cornice vasca	Gasket door	Not for x,y
124	0L2562	Guarnizione; cornice vasca	Gasket door	x,y
<b>125</b>	<b>0L0531</b>	<b>Prot.Poliest.Trasp. 520X320</b>	<b>Gasket</b>	<b>c,d,e,f,q,r,s,y,a9,b1,b7</b>
126	0L0112	Copertura passatubi	Hoses protection	
127		Velcro Autoad. Femmina PVC	Stik	c,d,e,f,y
*	569607703	Pannello isolante sinistro	Left insulating panel	Not for r,s,a9,b1

Doc. Nr.: **59566UM00**

Ed. 2020 - 10  
Updated 2022 - 11

Da Ser. Nr./ From Ser.nr.:

**LAVASTOVIGLIE SOTTOTAVOLO EUCI / EUCAI  
UNDERCOUNTER DISHWASHER EUCI / EUCAI**

**Grassetto = variazioni  
Bold Print = changes**

Pos.	Cod. Ric. Part No.	Descrizione	Description	Note / Notes
*	0L1373	Pannello isolante sinistro	Left insulating panel	r,s,a9,b1
*	569606407	Pannello isolante destro	Right insulating panel	Not for r,s,a9,b1
*	0L0482	Pannello isolante destro	Right insulating panel	r,s,a9,b1
		Pagina 3: Componenti idraulici	Page 3: Hydraulic components	
201	0A2914	Condensatore x pompa lavaggio	Capacitor	16µF - not for o,p,z,a4,a5,a7
201	047541	Condensatore x pompa lavaggio	Capacitor	12.5 µF - o,p,z,a4,a5,a7
202	0L3396	Pompa Lavaggio	Wash pump	60Hz - f,k
202	0L3398	Pompa Lavaggio	Wash pump	60Hz - e,q
202	0L3395	Pompa Lavaggio	Wash pump	50Hz - a,b,d,g,h,i,j,l,m,n,t,u,v,w,x,y,a1,a2,a3,a6,a8,b2,b3,b4,b5,b6,b8,b9,c1
202	0L3397	Pompa Lavaggio	Wash pump	50Hz - c,b7
202	0L0126	Pompa Lavaggio	Wash pump	50 Hz - o,p,z,a4,a5,a7
202	0L3401	Pompa Lavaggio	Wash pump	r,s,a9,b1
203	0L0193	Fascetta 40-60	Hose clamp 40-60	
204	045768	Tubo Gomma 45x55	Hose	
204	0L1374	Tubo Gomma 45x55	Hose	a9,b1
205	048325	Coll. Asp. Scarico	Drain manifold	
206	049828	Guarniz. Tappo Ter. Sc.	Gasket	
207	046596	Tappo Terminale Sc.	Plug; for manifold	
208	049894	OR 4*110 Asp Sc.	O Ring	
209	046799	OR Troppo Pieno	O Ring	
210	048326	collettore Asp. Sc.	Ring nut; for manifold	
211	048324	Filtro Asp. Pompa	Filter; for pump	
212	048323	Troppo pieno	Overflow pipe	a,g,h,i,a1,b4
212	048842	Troppo pieno	Overflow pipe	b,c,d,e,f,j,k,l,m,n,o,p,q,r,s,t,u,v,w,x,y,z,a2,a3,a4,a5,a6,a7,a8,a9,b1,b2,b3,b5,b6,b7,b8,b9,c1
213	046257	Manicotto 37x52	Manifold 37x52	Not for o,p,z,a4,a5,a7
213	0L0259	Manicotto 37x52	Manifold 37x52	o,p,z,a4,a5,a7,a9,b1
214	0L0994	Pompa scarico	Drain pump	50Hz - o,p,z,a4,a5,a7
214	0L2133	Pompa scarico	Drain pump	50Hz - c,d,j,l,m,n,t,u,v,w,x,y,a2,a3,a6,a8,a9,b1,b2,b3,b5,b6,b7,b8,b9,c1
214	0L2133	Pompa scarico	Drain pump	60Hz - e,f,k,q
214	0L2740	Pompa scarico	Drain pump	b up to 2022/08
214	0L5131	Pompa scarico	Drain pump	b from 2022/09
214	0L0527	Pompa scarico	Drain pump	r,s
214a	0L2135	Vite per pompa scarico	Drain pump screw	c,d,e,f,j,l,m,n,q,r,s,t,u,v,w,x,y,a2,a3,a6,a8,a9,b1,b2,b3,b4,b5,b6,b7,b8,b9,c1
215	049877	Manicotto asp. scarico	Coupling; drain	b,c,d,e,f,j,k,l,m,n,q,t,u,v,w,x,y,a2,a3,a6,a8,a9,b1,b2,b3,b5,b6,b7,b8,b9,c1
216	0L2484	Assieme tubo scarico	Drain pipe	q,b5,b7
217	0L4552	Tubo Scarico	Drain pipe	a,g,h,i,a1,b4

Doc. Nr.: **59566UM00**

Ed. 2020 - 10  
Updated 2022 - 11

Da Ser. Nr./ From Ser.nr.:

**LAVASTOVIGLIE SOTTOTAVOLO EUCI / EUCAI  
UNDERCOUNTER DISHWASHER EUCI / EUCAI**

**Grassetto = variazioni  
Bold Print = changes**

Pos.	Cod. Ric. Part No.	Descrizione	Description	Note / Notes
218	049878	Tubo Scarico	Drain pipe	b,c,d,e,f,j,k,l,m,n,t,u,v,w,x,y,a2,a3, a6,a8,b2,b3,b6,b8,b9,c1
218	0L0773	Tubo Scarico	Drain pipe	o,p,z,a4,a5,a7
218	048845	Tubo Scarico	Drain pipe	r,s,a9,b1
222	0L0078	Supporto Filtro	Filter support	
223	049908	Ass.Filtro Vasca	Tank filter	
224	049935	Supporto Centr. Filtri	Support; filters	
225	049936	Supporto Filtri	Support; filters	
226	0L0759	Manicotto scarico	Drain manifold	p,z,a4,a5,a7
227	0L0210	Raccordo a T	T fitting	p,z,a4,a5,a7
228	047578	Fascetta 26-38 9MM	Hose clamp 26-38	
229	046878	Fascetta 28-50	Hose clamp 38-50	Not for c,d,e,f,q,b7
229	0L2649	Fascetta 28-50 (inox)	Hose clamp 28-50 (stainless steel)	c,d,e,f,q,b7
229	046878	Fascetta 28-50	Hose clamp 28-50	a9,b1
230	048853	Nasello per vasca	Spigot; air relief	j,k,l,m,n,p,r,s,t,u,v,w,x,y,z,a2,a3, a4,a5,a6,a7,a8,a9,b1,b2,b3,b4, b5,b6,b8,b9,c1
231	049268	Dado ES.M14X1,5	Nut; M14x1,5	j,k,l,m,n,r,s,t,u,v,w,x,y,a2,a3,a6, a8,a9,b1,b2,b3,b4,b5,b6,b8,b9, c1
232	068642	OR 3062; 2,62X15,54	O Ring	b,g,h,j,k,l,m,n,r,s,t,u,v,w,x,y,a2,a3, a6,a8,a9,b1,b2,b3,b4,b5,b6,b8, b9,c1
233	046946	Fascetta W2 8-12/7,5 IVP	Hose clamp 8-12	j,k,l,m,n,r,s,t,u,v,w,x,y,a2,a3,a6, a8,a9,b1,b2,b3,b4,b5,b6,b8, b9,c1
234	0L0760	Manicotto scarico	Drain manifold	p,z,a4,a5,a7
235	0L0095	Tubo Lavaggio	Wash hose	Not for p,z,a4,a5,a7
235	0L0777	Tubo Lavaggio	Wash hose	p,z,a4,a5,a7
236	0L0367	Fascetta D=33	Hose clamp D=33	p,z,a4,a5,a7
		Pagine 4-5: Circuito idraulico atmosferico	Pages 4-5: Atmospheric plumbing circuit - Not for a,b,c,d,e,f,g,h	
300a	0L1691	Guarnizione boccia sale	Salt container gasket	o,p,z,a4,a5,a7
300b	0L1692	Boccia Sale + Elettrovalvola	Salt container + Solenoid valve	o,p,z,a4,a5,a7
300c	0L1693	Ghiera boccia sale	Salt container nut	o,p,z,a4,a5,a7
300d	0L0272	Tappo boccia sale	Salt container plug	o,p,z,a4,a5,a7
301	0S2786	Pompa perist. Brillantante	Pump; rinse aid	o,p,z,a4,a5,a7
301	0S2787	Pompa perist. Brillantante	Pump; rinse aid	Not for b4,b5
302	0L1163	Tubo detergente (grigio)	Detergent pipe (grey)	Not for b5
302	0L1970	Tubo; 6X12, L=2900 MM	Hose; 6x12, L=2900 MM	b5
303	0S2782	Pompa perist. Detergente	Pump; detergent	l,m,n,p,q,t,u,v,w,y,z,a3,a5,a6,a7, a8,b2,b3,b6,b7,b8,b9,c1
303	0L4831	Pompa peristaltica detergente	Detergent pump	r,s,a9,b1
304	0L0478	Connessione	Connection	r,s,u,v,a9,b1,b4
305	072393	Tubo 4x7.4	Hose 4x7.4	o,p,z,a4,a5,a7
306	0L0786	Tubo 8x12	Hose 8x12	o,p,z,a4,a5,a7
307	0L2851	Manicotto trappola d'aria	Air trap hose	o,p,z,a4,a5,a7

Doc. Nr.: **59566UM00**

Ed. 2020 - 10  
Updated 2022 - 11

Da Ser. Nr./ From Ser.nr.:

**LAVASTOVIGLIE SOTTOTAVOLO EUCI / EUCAI  
UNDERCOUNTER DISHWASHER EUCI / EUCAI**

**Grassetto = variazioni  
Bold Print = changes**

Pos.	Cod. Ric. Part No.	Descrizione	Description	Note / Notes
308	0L1906	Boiler	Boiler	Not for b4,b5
308	0L3205	Boiler	Boiler	b5
308	0L3772	Boiler	Boiler	o,p,z,a4,a5,a7
309	0L1990	Distanziale	Spacer	Not for r,s,a9,b1
310	0TH122	Fascetta 200-220/12	Clamp 200-220/12	
311	0L1079	Pompa risc. 230V 50Hz	Rinse pump	50Hz - i,j,l,m,n,o,p,t,u,v,w,x,y,z, a1,a2,a3,a4,a5,a6,a7,a8,a9,b1, b2,b3,b4,b5,b6,b8,b9,c1
311	0L1100	Pompa risc. 220V 60Hz	Rinse pump	k
311	0L1101	Pompa risc. 440V 60Hz	Rinse pump	q
311	0L1098	Pompa risciacquo	Rinse pump	r,s,a9,b1
311	0L1103	Pompa risc. 400V 50Hz	Rinse pump	b7
312	049260	Condensatore per pompa risc.	Capacitor	q,r,s,b7
312	083406	Condensatore per pompa risc.	Capacitor	5,0 µF - i,j,k,l,m,n,o,p,t,u,v,w,x,y, z,a4,a5,a6,a7,a8,a9,b1,b2,b6,b8, b9,c1
313	0L0481	Tubo brillantante (blu)	Rinse aid pipe (blue)	
314	0L1108	Manicotto asp. risciacquo	Coupling; rinse	
315	0L0201	Fascetta	Hose clamp	o,p,z,a4,a5,a7
316	0L0365	Raccordo 3 vie d.27	Connection 3 way; diam 27-12	
317	0L2560	Protezione ghiera	Guard ring nut	
318	0L0098	Trappola D'aria; boiler	Air trap; boiler	
318	0L2849	Trappola d'aria	Air Trap	m,n,o,p,q,r,s,t,v,y, z,a4,a5,a7 a9, b1,b2,b7,b9,c1
318	049776	Trappola D'aria; boiler	Air trap; boiler	a9,b1
319	0L4453	Tubo EPDM 25.5x32	Hose; diam 25	
320	0L0367	Fascetta Cobra	Hose clamp	
320	047578	Fascetta Cobra	Hose clamp	m,n,q,r,s,t,v,y,a9,b1,b2,b7,b9,c1
321	0L0117	tubo 26x37	Hose	
321	0L0785	Tubo	Hose	o,p,z,a4,a5,a7
322	046878	Fascetta a vite 35 -50	Hose clamp 35-50	
323	048824	Supp. Getti Sup.	Ring nut	
324	048126	Fascetta a vite 13 -20	Hose clamp 13-20	
325	048531	Tubo EPDM 12x19.5	Hose	
326	0L0110	Guarnizione Supp. Getti Sup.	Gasket	Up to 2022/44
<b>326</b>	<b>0L5221</b>	<b>Guarnizione Supp. Getti Sup.</b>	<b>Gasket</b>	<b>From 2022/45</b>
327	047578	Fascetta 26-38	Hose clamp 26-38	
328	049459	Air Gap std	Air gap	i,j,k,l,u,w,x,a1,a2,a3,a6,b3,b4,b5, b6,b8
328	0L2435	Air Gap UK (aperto)	UK air gap (open)	m,n,q,r,s,t,v,y,a8,a9,b1,b2,b7, b9,c1
329	049828	Guarnizione per AG	Gasket	
329	0L2664	Guarnizione per AG	Gasket	r,s,a9,b1
330	049460	OR per AG	O Ring	
330	0L2665	OR per Ghiera AG	O Ring	r,s,a9,b1
331	049480	Ghiera per A.G.	Ring nut	
332	048290	Perno risciacquo	Pin; for rinse jets	
333	0L2095	Ass. Portagetti Risc.	Rinse jet	

**LAVASTOVIGLIE SOTTOTAVOLO EUCI / EUCAI  
UNDERCOUNTER DISHWASHER EUCI / EUCAI**

**Grassetto = variazioni  
Bold Print = changes**

Pos.	Cod. Ric. Part No.	Descrizione	Description	Note / Notes
334	0L2823	Ass. Getti Lavaggio	Washing arms assembly	
336	048632	Rondella di Fermo Lavaggio	Lock washer	
337	048401	Mozzo per Getti Lav.	Hub	
338	048330	Fiss. Supp. Getti	Ring nut	
339	048236	Guarnizione LS7 e 8	Gasket	
340	048979	Seger	C-Clamp	
341	048820	Parzializzatore	Flow reducer	
342	048819	Supp. Getti Inf.	Jets support; lower	
343	0L0776	Elettrovalvola; 5,0 l/min	Electric valve; 5,0 l/min	m,n,q,t,a8,b2,b7,b9,c1
343	0L0776	Elettrovalvola; 5,0 l/min	Electric valve; 5,0 l/min	i,j,k,l,o,p,w,x,z,a1,a2,a3,a4,a5,a6, a7,b3,b4,b5,b6,b8
344	0L1945	Guarnizione	Gasket; diam 3/4	
345	0L1887	Tubo alimentazione	Feed hose	
346	049801	Iniettore Det. AISI304	Iniection spigot	b,l,m,n,o,p,q,r,s,t,u,v,w,y,z,a3,a5, a6,a8,a9,b1,b2,b3,b4,b6,b7,b8, b9,c1
346	0L1076	Iniettore Det. AISI304	Iniection spigot	b5
347	0L0768	Cablaggio addolcitore	Water softener wiring harness	o,p,z,a4,a5,a7
348	0L0764	Addolcitore	Water softener device	o,p,z,a4,a5,a7
349	0L0767	Scheda elettronica addolcitore	Water softener board	o,p,z,a4,a5,a7
350	048308	Trappola d'aria per pressost.	Air trap	
351	068642	OR 2062x15.54	O Ring	
352	049268	Dado M14x1.5	Nut; M14x1,5	
353a	0L0765	Elettrovalvola addolcitore	Water softener solenoid valve	o,p,z,a4,a5,a7
353b	0L0766	Elettrovalvola addolcitore	Water softener solenoid valve	o,p,z,a4,a5,a7
354	0L1369	Sensore reed addolcitore	Water softener reed sensor	o,p,z,a4,a5,a7
355	0L0082	Fascetta Elastica	Hose clamp	
355a	0L0814	Fascetta D=18	Hose clamp D=18	o,p,z,a4,a5,a7
355b	0L0769	Fascetta D=14	Hose clamp D=14	o,p,z,a4,a5,a7
355c	0L0770	Fascetta D=8.8-9.3	Hose clamp D=8.8-9.3	o,p,z,a4,a5,a7
355d	0L0815	Fascetta D=7.8-8.3	Hose clamp D=7.8-8.3	o,p,z,a4,a5,a7
355e	0L1106	Fascetta D=14,4-15,1	Hose clamp D=14,4-15,1	o,p,z,a4,a5,a7
355f	0L0771	Fascetta D=11	Hose clamp D=11	o,p,z,a4,a5,a7
357	0L0262	Riduzione M.3/4" - F.1/2"	Adapter M.3/4" - F.1/2"	o,p,z,a4,a5,a7
358	0L0263	Manicotto F.3/4"	Coupling F.3/4"	o,p,z,a4,a5,a7
359	0L0264	Doppia valvola di non ritorno	Double check valve	o,p,z,a4,a5,a7
360	049201	Guarnizione; diam 3/4	Gasket; diam 3/4	r,s,a9,b1
361	048834	Ass.filtro 3/4 G	Filter	i,j,k,l,m,n,o,p,q,t,u,v,w,x,y,z,a1,a2, a3,a4,a5,a6,a7,a8,b2,b3,b4,b5, b6,b7,b8,b9,c1
361	068121	Ass.filtro 3/4 G	Filter	r,s,a9,b1
362	0L1945	Guarnizione; diam 3/4	Gasket; diam 3/4	i,j,k,l,m,n,o,q,r,s,t,u,v,w,x,y,a1,a2, a3,a6,a8,b2,b3,b4,b5,b6,b7,b8, b9,c1
363	072457	Nipplo ottone 3/4" - 3/4"	Brass nipple 3/4" - 3/4"	r,s,a9,b1
364	049904	Tubo pressostato	Pressure switch hose	
365	049881	Pressostato	Pressure switch	
366	0L0083	Fascetta D=9.3-9.9	Hose clamp D=9.3-9.9	o,p,z,a4,a5,a7

Doc. Nr.: **59566UM00**

Ed. 2020 - 10  
Updated 2022 - 11

Da Ser. Nr./ From Ser.nr.:

**LAVASTOVIGLIE SOTTOTAVOLO EUCI / EUCAI  
UNDERCOUNTER DISHWASHER EUCI / EUCAI**

**Grassetto = variazioni  
Bold Print = changes**

Pos.	Cod. Ric. Part No.	Descrizione	Description	Note / Notes
367	0L0752	Guarnizione D=27x40	Gasket D=27x40	o,p,z,a4,a5,a7
368	048531	Tubo EPDM 12x19.5	Hose	
369	072393	Tubo EPDM 4x7.4	Hose	Not for o,p,z,a4,a5,a7
369	0L3415	Tubo 4x7.4-L=2000	Hose 4x7.4-L=2000	o,p,z,a4,a5,a7,a9,b1
370	048531	Tubo EPDM 12x19.5	Hose	i,j,k,l,q,r,s,u,w,x,a1,a2,a3,a6,a9, b1,b3,b4,b5,b6,b7,b8
370	0L3641	Tubo gomma 11.5x19.5 WRC	Hose; WRC	m,n,o,p, q,r,s,t,v,y,z,a4,a5,a7,a8, a9,b1,b2,b7,b9,c1
371	0L2071	Assieme tappo	Plug assembly	r,s,u,v,a9,b1,bu
371	0L0349	Assieme tappo	Plug assembly	o,p,z,a4,a5,a7
372	0L5076	Tubo; interno, pompa det.	Hose; internal, det. Pump	
373	0L5078	Tubo; interno, pompa brill.	Hose;internal, rin. aid pump	o,p,z,a4,a5,a7
373	0L5079	Tubo; interno, pompa brill.	Hose;internal, rin. aid pump	Not for b4,b5
374	0L0349	Assieme tappo	Plug assembly	b4,b5
375	0L1071	Valvola di non ritorno	No back-flow valve	b5
376	0L1072	Raccordo	Nut	b5
377	0L1073	Ghiera	Ring nut	b5
378	048126	Fascetta 12x22/9	Clamp 12x22/9	b5
379	0L1970	Tubo; 6X12, L=2900 MM	Hose; 6x12, L=2900 MM	b5
380	0L1074	Tubo; 1/8"X0.75 L=3000 MM	Hose; 1/8"X0.75 L=3000 MM	b5
381	0L1077	Sensore detergente	Detergent sensor	b4,b5
382	0L1078	Prolunga cavo sensore	Detergent sensor cable extension	b4,b5
383	0L0477	Portagomma	Fitting	r,s,u,v,y,a9,b1
384	0L0903	Dado fissaggio addolcitore	Water softener fixing nut	o,p,z,a4,a5,a7
385	0L0479	Nipplo ottone 3/4"- 3/8"	Brass nipple 3/4"- 3/8"	r,s,u,v,y,a9,b1
386	0L0170	Parzializzatore 5.5 l/min	Hydraulic shutter 5.5 l/min	r,s,v,y,a9,b1
386	049650	Parzializzatore 10 l/min	Hydraulic shutter 10 l/min	u
387	0L0423	Elettrovalvola	Electric valve	u,y
387	0L2850	Elettrovalvola	Electric valve	v
387	0L2656	Elettrovalvola	Electric valve	r,s,a9,b1
389	0L0528	Sensore di livello detergente	Detergent float switch	u,v
390	0L0529	Sensore di livello brillantante	Rinse aid float switch	u,v
391	0L1081	Ghiera PG16	Ring nut PG16	b4,b5
392	0L1080	Pressacavo PG16	Cable holder PG16	b4,b5
393	049358	Valvola di non ritorno	No back-flow valve	b4
394	0L2071	Raccordo	Nut	b4
395	046946	Fasc. Torro W2 8-12/7,5 IVP	Hose clamp 8-12	o,p,z,a4,a5,a7,b5
396	048853	Nasello per vasca	Spigot; air relief	o,p,z,a4,a5,a7
397	0L1488	Tubo scarico addolcitore	Drain hose	o,p,z,a4,a5,a7
398	0L2038	Raccordo 3/4" - 3/4" G	Connection 3/4" - 3/4" G	r,s,a9,b1
399	0L0420	Isolante per boiler	Insulation; for boiler	a9,b1
		Pagina 6: Circuito idraulico a pressione	Page 6: Pressurized plumbing circuit - for a,b,c,d,e,f,g,h	
402	049360	Tubo mandata; rigido	Delivery hose; rigid	
403	0S2782	Pompa perist. Detergente	Pump; detergent	b,c,d,e,f,h
408	0L0284	Boiler a pressione	Boiler	

**LAVASTOVIGLIE SOTTOTAVOLO EUCI / EUCAI  
UNDERCOUNTER DISHWASHER EUCI / EUCAI**

**Grassetto = variazioni  
Bold Print = changes**

Pos.	Cod. Ric. Part No.	Descrizione	Description	Note / Notes
409	0TH122	Fascetta 200-220/12	Clamp 200-220/12	
410	0L1990	Distanziale	Spacer	
411	0L2394	Tubo ingresso acqua	Water inlet pipe	Rinse booster pump kit
412	0L2389	Tubo uscita pompa	Pump outlet pipe	Rinse booster pump kit
413	0L2391	Pompa + condensatore	Pump + capacitor	Rinse booster pump kit
414	049126	Condensatore	Capacitor	8 µF - Rinse booster pump kit
415	0L2392	Cavetto di terra	Ground cable	Rinse booster pump kit
416	0L2393	Portagomma G 3/8" M	Fitting G 3/8" M	Rinse booster pump kit
	0L2390	(Pompa + condensatore) + cavetto di terra + portagomma	(Pump + capacitor) + ground cable + fitting	(pos. 413 + pos. 415 + pos. 416) Rinse booster pump kit
423	048824	Supp. Getti Sup.	Ring nut	
424	048126	Fascetta a vite 13 -20	Hose clamp 13-20	
425	048531	Tubo EPDM 12x19.5	Hose	
426	048823	Guarnizione Supp. Getti Sup.	Gasket	
432	048290	Perno risciacquo	Pin; for rinse jets	
433	0L2095	Ass. Portagetti risciacquo	Rinse jet	
434	0L2823	Ass. getti lavaggio	Washing arms assembly	
436	048632	Rondella di Fermo Lavaggio	Lock washer	
437	048401	Mozzo per Getti Lav.	Hub	
438	048330	Fiss. Supp. Getti	Ring nut	
439	048236	Guarnizione	Gasket	
440	048979	Anello elastico	Retaining ring	
441	048820	Parzializzatore	Flow reducer	
442	048819	Supp. Getti Inf.	Jets support; lower	
443	0L0566	Elettrovalvola; 20 l/m	Solenoid valve; 20 l/m	
443	0L3363	Doppia elettrovalvola; 20 l/min	Double solenoid valve; 20 l/min	b,h
444	0L1945	Guarnizione	Gasket; DIAM 3/4	
445	0L1887	Tubo alimentazione	Feed hose	
446	049801	Iniettore Det. AISI304	Iniection spigot	c,d,e,f
450	048308	Trappola d'aria per pressost.	Air trap	
451	068642	OR 2062x15.54	O Ring	
452	049268	Dado M14x1.5	Nut; M14x1,5	
461	048834	Ass.filtro 3/4 G	Filter	
462	0L1945	Guarnizione; diam 3/4	Gasket; diam 3/4	
464	049904	Tubo pressostato	Pressure switch hose	
465	049881	Pressostato	Pressure switch	
466	048195	Raccordo 3 vie	Connection 3 way; diam 12	
467	049332	Valvola DVGW	Solenoid valve	
472	0L5076	Tubo; interno, pompa det.	Hose; internal, det. Pump	
473	049026	Portagomma Brill.	Rubber holder	
474	046946	Fasc. Torro W2 8-12/7,5 IVP	Hose clamp 8-12	
475	048883	Tubo gomma 5X12	Hose; 5x12	
476	0L4295	Dosatore idraulico	Dispenser; for rinse aid	
478	0L3377	Assieme tubi di risciacquo	Rinse hoses assembly	b,h
479	0L3379	Tubo EPDM 12x19.5	Hose (L=1050mm)	b,h
480	0L2980	Doppia valvola di ritegno	Double check valve	b

Doc. Nr.: **59566UM00**

Ed. 2020 - 10  
Updated 2022 - 11

Da Ser. Nr./ From Ser.nr.:

**LAVASTOVIGLIE SOTTOTAVOLO EUCI / EUCAI  
UNDERCOUNTER DISHWASHER EUCI / EUCAI**

**Grassetto = variazioni  
Bold Print = changes**

Pos.	Cod. Ric. Part No.	Descrizione	Description	Note / Notes
481	072457	Raccordo M.3/4" - M.3/4"	Fitting M.3/4" - M.3/4"	b
482	0L0263	Raccordo F3/4'- F.1/2'	Fitting F3/4'- F.1/2'	h
483	0L0262	Raccordo M.3/4'- F.1/2'	Fitting M.3/4'- F.1/2'	h
484	0L0264	Doppia valvola di ritegno	Double check valve	h
		Pagina 7: Componenti elettrici	Page 7: Electrical components	
501	0L4473	Interfaccia utente	User Interface	
502	0L1943	Guarnizione display	Display gasket	
503	0L1871	Sensore reed	Sensor	
504	0L4744	Connettore	Connector	
505	0L4715	Membrana adesiva cold rinse a pressione	Pressurized cold rinse membrane	h
505	0L4716	Membrana adesiva Zanussi	Zanussi Membrane	a1,a2,a3,a4,a5
505	0L4720	Membrana adesiva Zanussi a pressione	Pressurized Zanussi Membrane	g
505	0L4721	Membrana adesiva Electrolux 184M	184M Electrolux Membrane	i,j,k,l,m,o,p,q,r,s,t,x,y,z,b7
505	0L4723	Membrana adesiva Cafe-line	Cafe-line Membrane	u,v
505	0L4724	Membrana adesiva Electrolux Wine-line	Electrolux Wine-line Membrane	w
505	0L4725	Membrana Electrolux a pressione	Pressurized Electrolux membrane	a,c,d,e,f
505	0L4726	Membrana adesiva	Membrane	b4,b5
505	0L4728	Membrana adesiva cold rinse a pressione Electrolux	Pressurized cold rinse Electrolux membrane	b
505	0L4729	Membrana adesiva Veetsan Star	Veetsan Star Membrane	a8,a9,b1
505	0L4730	Membrana adesiva KXT	KXT Membrane	b3
505	0L4737	Membrana adesiva Caterwash	Caterwash Membrane	b2
505	0L4742	Membrana adesiva To Brand	To Brand Membrane	n,a6,a7,b8
505	0L5042	Membrana MyPro	MyPro Membrane	b6
505	0L5218	Membrana adesiva HARSTRA	HARSTRA Membrane	b9
505	0L5219	Membrana adesiva DRAGER	DRAGER Membrane	c1
506	049883	Trasform. 80VA 400..440/230V	Transform. 80VA 400..440/230V	c,e,q,b7
506	0L0540	Trasform. 30VA 180/254V	Transform. 30VA 180/254V	x,y
507	048888	Relé	Relay; 230v, 2 cont, step 5	c,e,q,b7
509	0L2582	Scheda madre	Main board	a,g
509	0L2583	Scheda madre	Main board	b,h,y
509	0L3720	Scheda madre	Main board	c,d,e,f,i,j,k,l,m,n,o,p,q,r,s,t,u,v,w,x,z,a1,a2,a3,a4,a5,a6,a7,a8,a9,b1,b2,b3,b4,b5,b6,b7,b8,b9,c1
510	049303	Filtro RFI trifase	RFI filter; three phase	c,e,f,q,b7
511	0L0111	Morsettiera Princ.	Junction box	
512	048429	Fissaggio Res. Vasca	Bracket	
513	0L2109	Res. Vasca 2,0 kW-230V	Heating element; 230V, 2,0kW	Not for c,e,q,r,s,a9,b1,b7
513	0L1902	Res. Vasca 2,0 kW-440V	Heating element; 440V, 2,0 kW	e,q
513	0L1903	Res. Vasca 2.0 kW-400V	Heating element; 400V, 2,0 kW	c,b7
513	0L0424	Res. Vasca 2,2 kW, 208V	Heating element; 2,2kW, 208V	r,a9
513	0L0426	Res. Vasca 2,2 kW, 240V	Heating element; 2,2kW, 240V	s,b1

Doc. Nr.: **59566UM00**

Ed. 2020 - 10  
Updated 2022 - 11

Da Ser. Nr./ From Ser.nr.:



**LAVASTOVIGLIE SOTTOTAVOLO EUCI / EUCAI  
UNDERCOUNTER DISHWASHER EUCI / EUCAI**

**Grassetto = variazioni  
Bold Print = changes**

Pos.	Cod. Ric. Part No.	Descrizione	Description	Note / Notes
514	0L0366	Supporto sensore	Support; sensor	
515	0L2303	OR 2037	O Ring 2037	
516	049643	Sensore NTC	Sensor	
517	0L1567	Copertura interfaccia utente	User interface cover	For b,h: do not remove cold rinse button
518	0L4797	OR 57.99X5.33	O-Ring 57.99X5.33	
519	0L2725	Res. Flangiata 6kW 230V	Heating element 6kW 230V	b,c,d,f,h,v,w,y,b4,b5,b7,b8
519	0L2725	Res. Flangiata 6kW 230V	Heating element 6kW 230V	x,z up to 2021/47
519	0L2651	Res. Flangiata 4.5kW 230V	Heating element 4.5kW 230V	x,z from 2021/48
519	0L2651	Res. Flangiata 4.5kW 230V	Heating element 4.5kW 230V	a,g,i,j,k,l,m,n,o,p,t,a1,a2,a3,a4,a5, a6,a7,a8,b2,b3,b6,b9,c1
519	0L2726	Res. Flangiata 6kW 254V	Heating element 6kW 254V	e,q
519	0L2769	Res. Flangiata 6kW 208V	Heating element 6kW 208V	r,a9
519	0L3123	Res. Flangiata 6kW 240V	Heating element 6kW 240V	s,b1
519	0L2653	Res. Flangiata 9kW 230V	Heating element 9kW 230V	u - Order KIT 0L5162
520	0L2303	OR 2037	O Ring	
521	0L0280	Premistoppa	Stuffing box	
522	049643	Sonda di Temperatura	Temperature probe	
526	049901	Filtro induttivo-cap.; monofase	filter; single phase	Not for c,e,q,r,s,a9,b1,b7
527	0L0542	Elettromagnete	Electromagnet	x,y
528	0L0543	Guarnizione elettromagnete	Electromagnet gasket	x,y
530	0L2895	Klixon di sicurezza per vasca	Safety Klixon for tank	
531	0L2894	Supporto per Klixon	Klixon support	
532	0L1869	Dado M3x4	M3x4 nut	
533	049834	Morsettiera	Junction box	b4
534	0L3415	Tubo 4x7.4-L=2000mm	Hose 4x7.4-L=2000mm	
535	0L0082	Fascetta Ø=7.3-7.8mm	Hose clamp Ø=7.3-7.8mm	
590	0L5108	Cablaggio	Wiring harness	a,d,f,g,i,j,k,l,m,n,t,u,v,w,x,y,a1, a2,a3,a6,a8,b2,b3,b4,b5,b6,b8, b9,c1
590	0L5109	Cablaggio	Wiring harness	o,p,z,a4,a5,a7
590	0L5110	Cablaggio	Wiring harness	b,h
590	0L5111	Cablaggio	Wiring harness	c,e,q,b7
590	0L5112	Cablaggio	Wiring harness	r,s,a9,b1
590	0L0545	Cablaggio aggiuntivo	Additional wiring harness	x - For Medical Grade
	0L5045 80566FA01	KIT air-gap trappola d'aria; LS6 - 1x0L2666 air-gap - 1x0L2849 trappola d'aria - 1x54468J200 tubo L= 135 25,5X32 TT/80 T80 EPDM - 1x54468J000 tubo L= 50 25,5X32 TT/80 T80 EPDM - 3x047578 fascetta torro SW1 25- 40/9 IVP - 1x049480 ghiera - 049460 OR 3212-2.62x53.65 - 049828 guarnizione	KIT air-gap air-trap; LS6 - 1x0L2666 air-gap - 1x0L2849 air-trap - 1x54468J200 hose L= 135 25,5X32 TT/80 T80 EPDM - 1x54468J000 hose L= 50 25,5X32 TT/80 T80 EPDM - 3x047578 hose clamp SW1 25- 40/9 IVP - 1x049480 ring nut - 049460 OR 3212-2.62x53.65 - 049828 gasket	i,j,k,l,u,w,x,a1,a2,a3,a6,a8,b3, b4,b5,b6,b8

Doc. Nr.: **59566UM00**

Ed. 2020 - 10  
Updated 2022 - 11

Da Ser. Nr./ From Ser.nr.:

**LAVASTOVIGLIE SOTTOTAVOLO EUCI / EUCAI  
UNDERCOUNTER DISHWASHER EUCI / EUCAI**

**Grassetto = variazioni  
Bold Print = changes**

Pos.	Cod. Ric. Part No.	Descrizione	Description	Note / Notes
	0L4685	YEARLY MAINTENANCE KIT		
Qty	Code	Description		Note
1	047578	CLAMP; 26-38		
1	048126	CLIP; 13-20		
1	048845	DRAIN HOSE		
1	049460	O-RING; ØI=53,65MM; ØE=58,89MM		
1	049480	RING NUT; FOR AIR GAP		
1	049643	TEMPERATURE PROBE		
1	049828	GASKET D.EXT 59.5-D.INT 50-SP1.5		
1	0L0098	AIR TRAP; BOILER		
1	0L0481	TUBE; L=2660 MM; ØE=6 MM; BLU		
1	0L1163	HOSE; ØI=4,3MM; ØE=6MM; L=2660MM; GREY		
2	0L2303	O-RING; DIA.9,25X1,78		Quantity in BOM from 1 to 2
1	0L2666	AIR GAP		
1	0L3447	SOLENOID VALVE; 220/240V 50/60HZ;5L/MIN.		
1	0L5076	RUBBER HOSE		
1	0L5078	RUBBER HOSE RINSE		
1	049643	TEMPERATURE PROBE		New component in BOM

Doc. Nr.: **59566UM00**

Ed. 2020 - 10  
Updated 2022 - 11

Da Ser. Nr./ From Ser.nr.:

**ZANUSSI**  
PROFESSIONAL

by **NordCap**<sup>®</sup>

**Finanzen/Service**

**28307 Bremen**  
Thalenhorststraße 15  
Tel.+49 421 48557-0  
Fax+49 421 488650  
bremen@nordcap.de

**Vertrieb Ost**

**12681 Berlin**  
Wolfener Straße 32/34, Haus K  
Tel.+49 30 936684-0  
Fax+49 30 936684-44  
berlin@nordcap.de

**Vertrieb West**

**40699 Erkrath**  
Max-Planck-Straße 30  
Tel.+49 211 540054-0  
Fax+49 211 540054-54  
erkrath@nordcap.de

**Vertrieb Nord**

**21079 Hamburg**  
Großmoorbogen 5  
Tel.+49 40 766183-0  
Fax+49 40 770799  
hamburg@nordcap.de

**Vertrieb Süd**

**55218 Ingelheim**  
Hermann-Bopp-Straße 4  
Tel.+49 6132 7101-0  
Fax+49 6132 7101-20  
ingelheim@nordcap.de



[www.nordcap.de](http://www.nordcap.de)