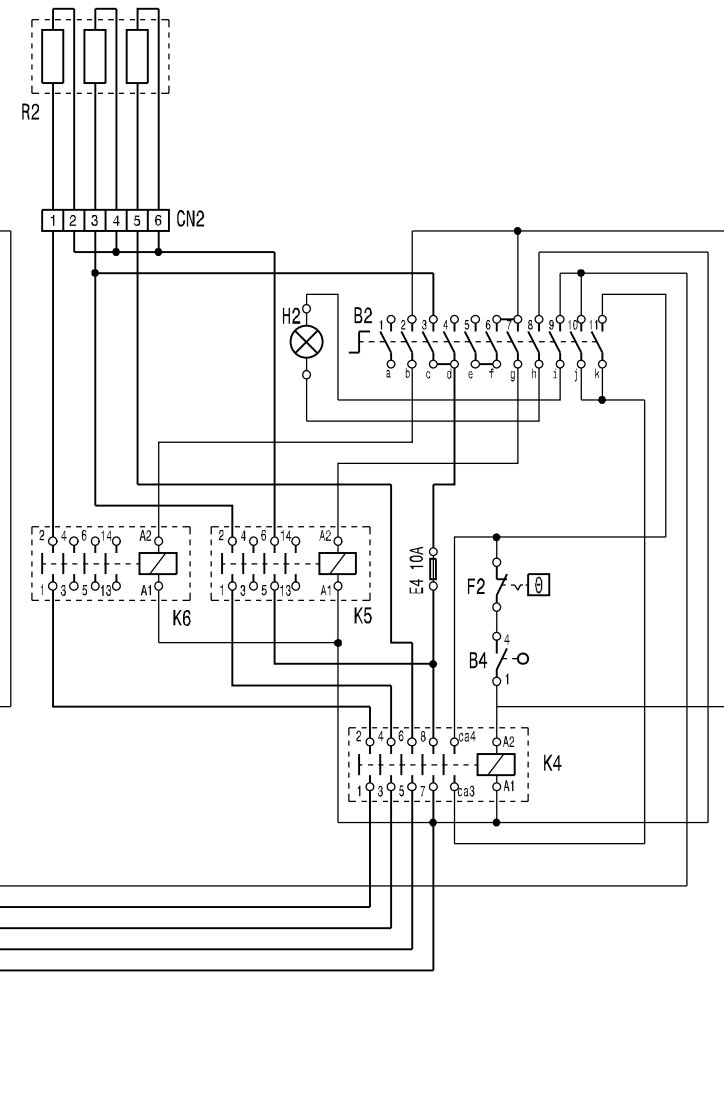
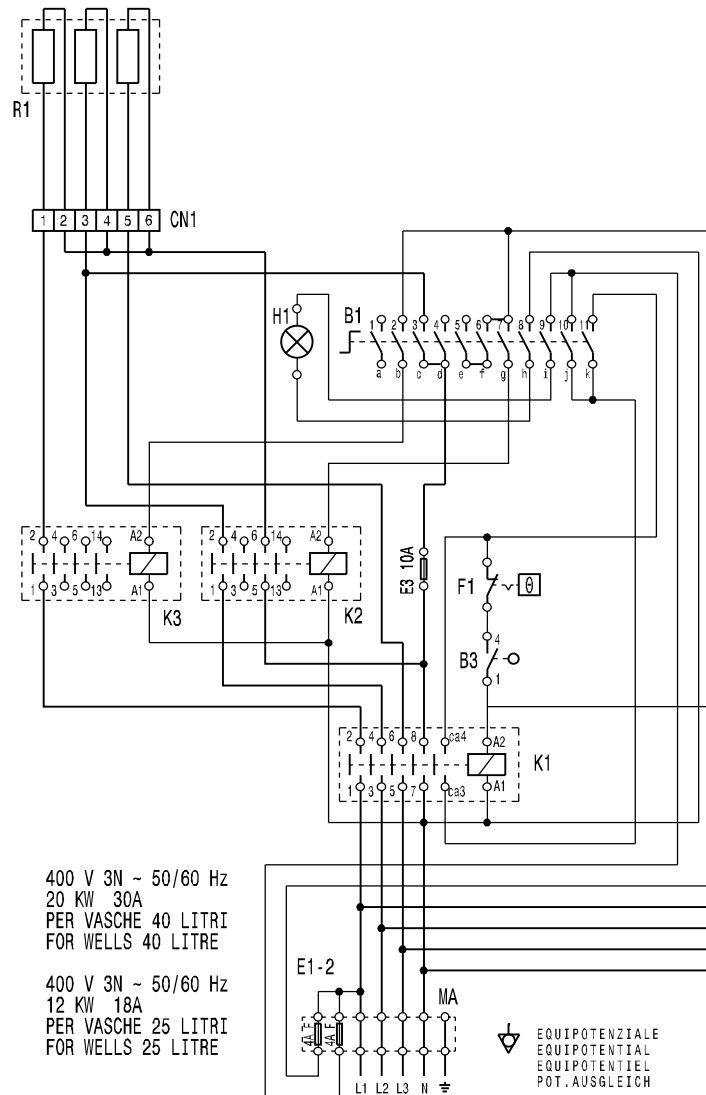
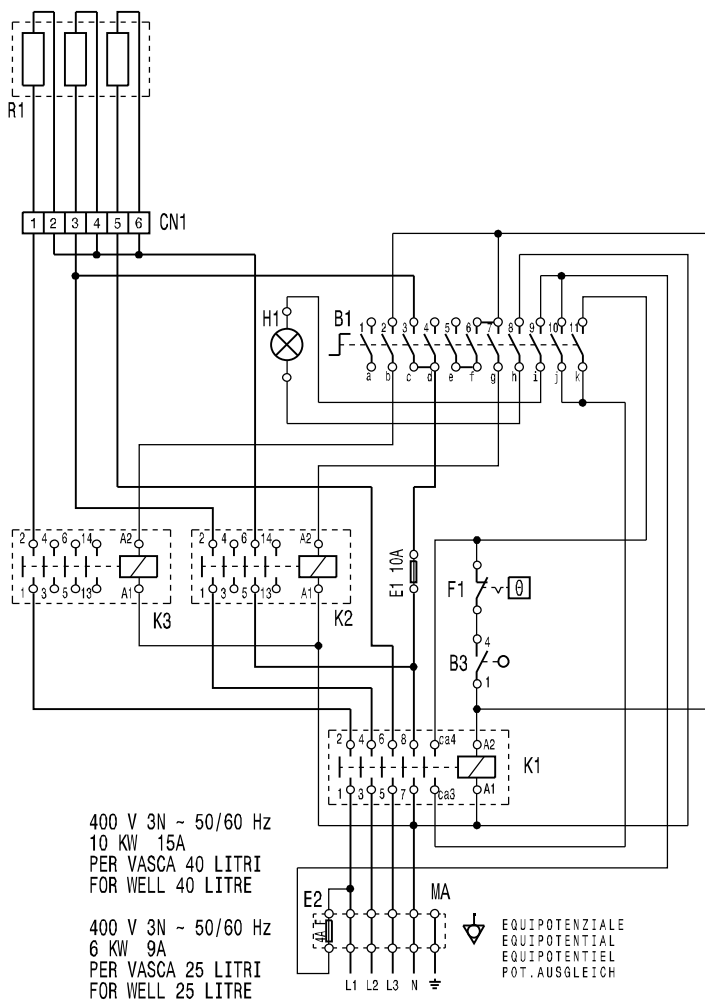


# Schaltplan

## Elektro-Pastakocher **ENK7 / 2B24L**

[Artikel-Nr.: 406372099]





B1-2 PER VASCA 40 LITRI / FOR WELL 40 LITRE

| POSITION | 1 | 2 | 3 | 4 | 5 | 6 | 7 | 8 | 9 | 10 | 11 | POWER (W)<br>(40L) | POWER (W)<br>(25L) |
|----------|---|---|---|---|---|---|---|---|---|----|----|--------------------|--------------------|
|          | a | b | c | d | e | f | g | h | i | j  | k  |                    |                    |
| 0        |   |   |   |   |   |   |   |   |   |    |    | 0                  | 0                  |
| 1        | ● |   | ● |   |   | ● |   | ● | ● |    |    | 1666               | 1000               |
| 2        | ● | ● |   | ● |   | ● |   | ● | ● |    |    | 5000               | 3000               |
| 3        |   |   | ● | ● |   | ● |   | ● | ● |    |    | 6660               | 4000               |
| 4        | ● | ● | ● | ● |   | ● |   | ● | ● |    |    | 10000              | 6000               |

|       |                             |                                 |
|-------|-----------------------------|---------------------------------|
| CN1-2 | CONNETTORE                  | CONNECTOR                       |
| E1-2  | FUSIBILE                    | FUSE                            |
| K1-6  | CONTATTORE                  | CONTACTOR                       |
| R1-2  | RESISTENZA                  | HEATING ELEMENT                 |
| H1-2  | LAMPADA "CORRENTE INSERITA" | POWER ON LAMP                   |
| F1-2  | LIMITATORE DI TEMPERATURA   | TEMPERATURE LIMITING THERMOSTAT |
| B3-4  | MICROINTERRUTTORE           | MICROSWITCH                     |
| B1-2  | COMMUTATORE                 | ROTARY SWITCH                   |
| MA    | MORSETTIERA                 | TERMINAL BOARD                  |

**Finanzen/Service**

**28307 Bremen**  
Thalenhorststraße 15  
Tel.+49 421 48557-0  
Fax+49 421 488650  
bremen@nordcap.de

**Vertrieb Ost**

**12681 Berlin**  
Wolfener Straße 32/34, Haus K  
Tel.+49 30 936684-0  
Fax+49 30 936684-44  
berlin@nordcap.de

**Vertrieb West**

**40699 Erkrath**  
Max-Planck-Straße 30  
Tel.+49 211 540054-0  
Fax+49 211 540054-54  
erkrath@nordcap.de

**Vertrieb Nord**

**21079 Hamburg**  
Großmoorbogen 5  
Tel.+49 40 766183-0  
Fax+49 40 770799  
hamburg@nordcap.de

**Vertrieb Süd**

**55218 Ingelheim**  
Hermann-Bopp-Straße 4  
Tel.+49 6132 7101-0  
Fax+49 6132 7101-20  
ingelheim@nordcap.de



[www.nordcap.de](http://www.nordcap.de)