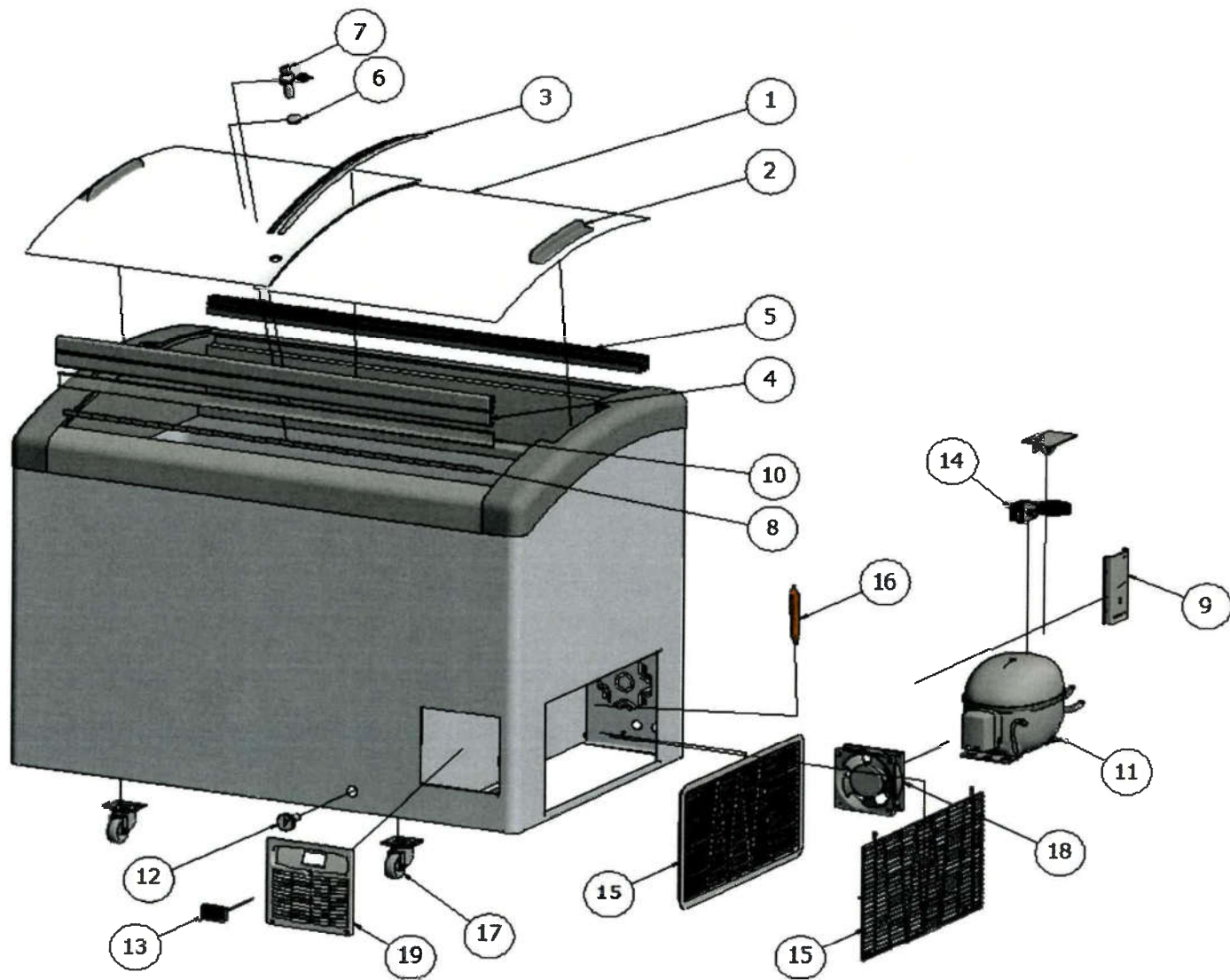


Ersatzteilliste-Explosionszeichnung

Kühl- / Tiefkühl-Impulstruhe Serie FOCUS LED (R-290)





PLASTMFP15
w. Thermometer

ECO DESIGN 2023

ITEM NO.	DESCRIPTION	FOCUS 73		FOCUS 106		FOCUS 131		FOCUS 151		FOCUS 171	
		CODE		CODE		CODE		CODE		CODE	

SLIDING GLASS LID

1	COMPLETE SET OF GLASS LIDS (RED)	82GLASF073-S1		82GLASF106-S1		82GLASF131-S1		82GLASF151-S1		82GLASF171-S1	
1	COMPLETE SET OF GLASS LIDS (BLUE)	82GLASF073-S2		82GLASF106-S2		82GLASF131-S2		82GLASF151-S2		82GLASF171-S2	
1	COMPLETE SET OF GLASS LIDS (GREY)	82GLASF073-S3		82GLASF106-S3		82GLASF131-S3		82GLASF151-S3		82GLASF171-S3	
2	HANDLE, SELF ADHESIVE (RED)	HÄND1		HÄND1		HÄND1		HÄND1		HÄND1	
2	HANDLE, SELF ADHESIVE (BLUE)	HÄND2		HÄND2		HÄND2		HÄND2		HÄND2	
2	HANDLE, SELF ADHESIVE (GREY)	HÄND3		HÄND3		HÄND3		HÄND3		HÄND3	
3	PILE WEATHER STRIPS (2 PCS)	GLASTAETNING1		GLASTAETNING1		GLASTAETNING1		GLASTAETNING1		GLASTAETNING1	
4	PLASTIC TRACK IN FRONT	82FORK10		82FORK11		82FORK12		82FORK13		82FORK14	
5	PLASTIC TRACK IN BACK	82BAGK5		82BAGK6		82BAGK7		82BAGK8		82BAGK9	
6	LOCK HOLDER IN UPPER GLASS	PLASTD33		PLASTD33		PLASTD33		PLASTD33		PLASTD33	
7	LOCK KIT COMPLETE	8100.0303		8100.0303		8100.0303		8100.0303		8100.0303	

INTERNAL LIGHT

8,9	COMPLETE INTERNAL LIGHT 115/230V	8100.0610		8100.0611		8100.0612		8100.0613		8100.0614	
8	LED LIGHTS	LED16		LED17		LED18		LED19		LED20	
9	POWER SUPPLY 115V/60HZ + 230V/50HZ	PSU3		PSU3		PSU3		PSU3		PSU3	
10	CLEAR LIGHT COVER	9100.0625		9100.0626		9100.0627		9100.0628		9100.0629	

MOTOR COMPARTMENT

11	COMPRESSOR 230V 50HZ R290	EMC3117U		EMC3121U		EMC3125U		EMC3134U		EMC3140U	
----	---------------------------	----------	--	----------	--	----------	--	----------	--	----------	--

OTHER

12	STOPPER FOR OUTSIDE DRAIN	E1HU		E1HU		E1HU		E1HU		E1HU	
13	DIGITAL THERMOMETER	FTERMOMETB2		FTERMOMETB2		FTERMOMETB2		FTERMOMETB2		FTERMOMETB2	
14	THERMOSTAT R290	TERMOSTAT11		TERMOSTAT11		TERMOSTAT11		TERMOSTAT11		TERMOSTAT11	
15	GRILL FOR ENGINE ROOM - PLASTIC	SP1417		SP1417		SP1417		SP1417		SP1417	
15	GRILL FOR ENGINE ROOM - METAL	MHUSRIST		MHUSRIST		MHUSRIST		MHUSRIST		MHUSRIST	
16	FILTER DRYER	FILTER6XH9		FILTER6XH9		FILTER6XH9		FILTER6XH9		FILTER6XH9	
17	CASTORS 4 PCS KIT	8100.0200		8100.0200		8100.0200		8100.0200		8100.0200	
17	CASTORS 2 PCS WITH, 2 PCS W/O BRAKE	8100.0202		8100.0202		8100.0202		8100.0202		8100.0202	
18	FAN 110 - 240V	--		--		--		BLAES9		BLAES9	
19	FRONT VENTILATION GRILL	PLASTMFP15		PLASTMFP15		PLASTMFP15		PLASTMFP15		PLASTMFP15	

Finanzen/Service
28307 Bremen
Thalenhorststraße 15
Tel.+49 421 48557-0
Fax+49 421 488650
bremen@nordcap.de

Vertrieb Ost
12681 Berlin
Wolfener Straße 32/34, Haus K
Tel.+49 30 936684-0
Fax+49 30 936684-44
berlin@nordcap.de

Vertrieb West
40699 Erkrath
Max-Planck-Straße 30
Tel.+49 211 540054-0
Fax+49 211 540054-54
erkrath@nordcap.de

Vertrieb Nord
21079 Hamburg
Großmoorbogen 5
Tel.+49 40 766183-0
Fax+49 40 770799
hamburg@nordcap.de

Vertrieb Süd
55218 Ingelheim
Hermann-Bopp-Straße 4
Tel.+49 6132 7101-0
Fax+49 6132 7101-20
ingelheim@nordcap.de



www.nordcap.de