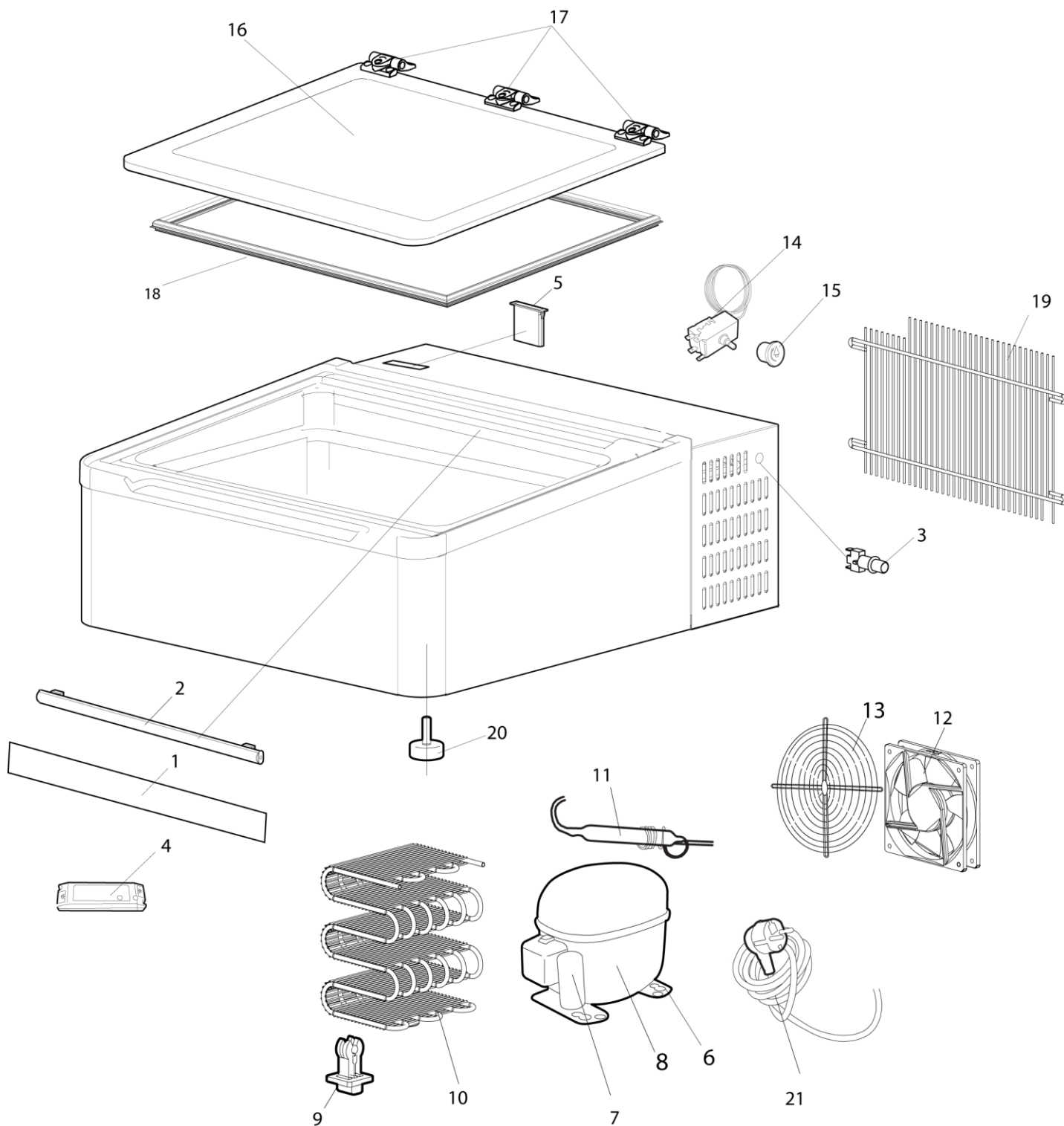


MINI CREAM 3V LED R600 (COD. E1938S0100)



display

Spare parts drawing



MINI CREAM 3V LED R600 (COD. E1938S0100)

display

Spare parts list

Ref.	Description	Code
1	COVER LAMP TANK MINI CREAM 3V PETG	1792800
2	LED LAMP 6W L300 24V	1112111
3	UNIPOLAR SWITCH D.16 BLACK	1114013
4	WIRED POWER SUPPLY LED 24V TTG-TTK-MINI CREAM 2V	8964095
5	THERMOMETER RECTANGULAR L1000 WHITE	1088008
6	DAMPER FOR COMPRESSOR	1521149
7	ACC.SET CUBIGEL HLY99AA 220-240V 50HZ RSIR R600	1147588
8	COMP.CUBIGEL HLY99AA 220-240V 50HZ RSIR R600	4106132
9	BRACKET CONDENSER BUNDY HOLDER	1722340
10	CONDENSER WIRES 6T-6R MINI CREAM 2V	4111061
11	FILTER XH9 ENTRY 5.2 OUT 2.75 GR10	3141047
12	MOTOR FAN 120X120X25	4121069
13	GRID X MOTOR FAN 120X120	0621045
14	THERMOSTAT K50BS3498000 CHEF 600 N R290 ->	1101053
15	THERMOSTAT KNOB WHIT ARROW	1721764
16	GLASS 625X540X4 MINI CREAM 3V TRANSP. BLACK/EDGE	1751588
17	ADJUSTABLE GLASS HINGE DOLCE VISTA 6 BLACK	1722713
18	GASKET 472X615 GLASS MINI CREAM 3V (0048-01) WHITE	4611082
19	REAR GRID MINI CREAM 3V WHITE	0621392
20	LEVELLING FOOT M8X38	1521157
21	CABLE SUPPLY 3X0,75X2150	1021002

* Price list without VAT. The prices of the accessories set are to be considered only if they are sold with the relevant compressors

The manufacturer will reserve the right to make any modification without prior notice.

Updated on
05/10/2018