

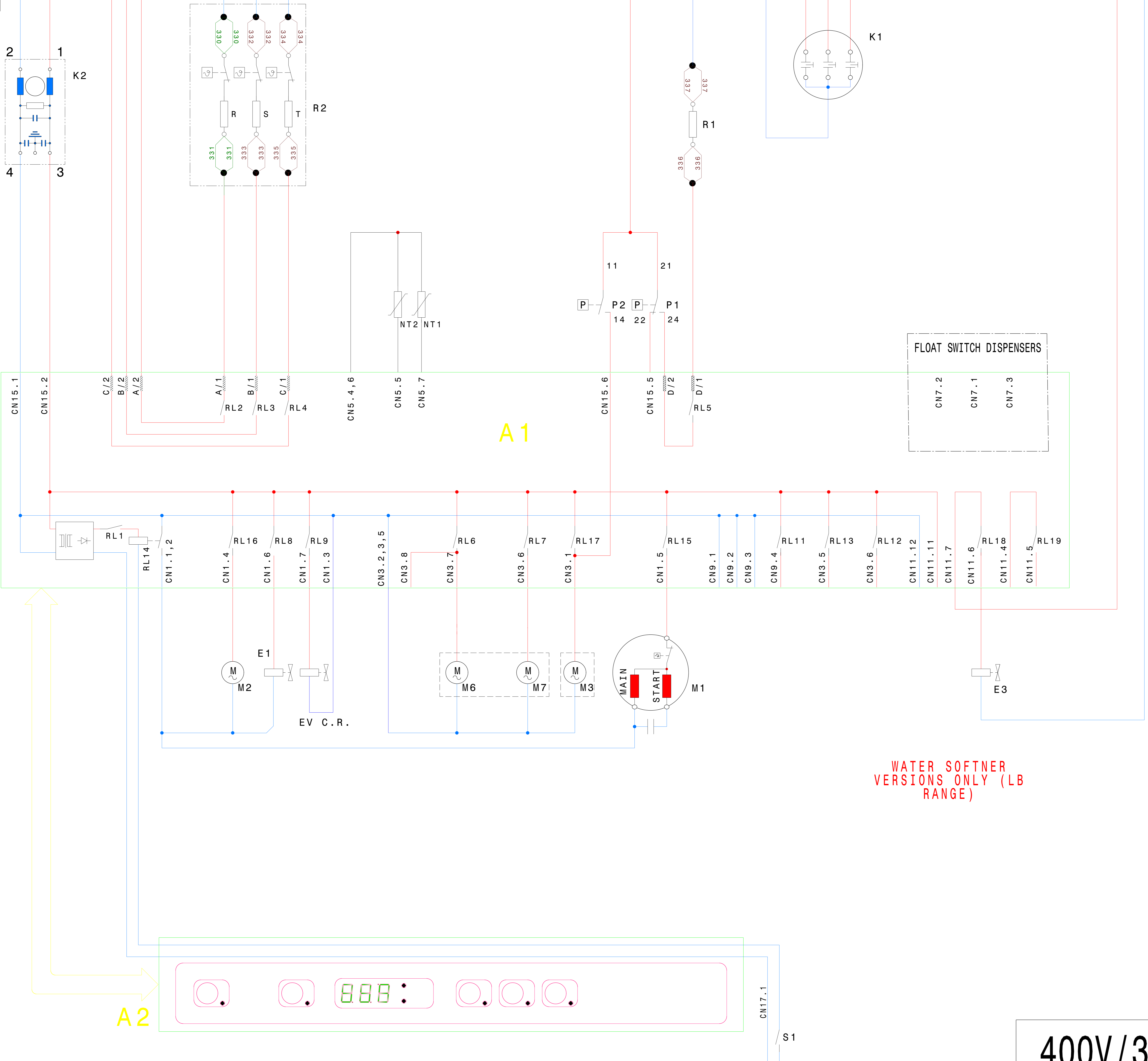
Schaltplan

Gläserespülmaschine ZSDICWG

[Art. 406402237]



L1
L1
L2
L3
N



- A1 MAIN BOARD
- A2 USER INTERFACE
- CP WASH PUMP CONNECTOR
- E1 WATER LOAD SOLENOID VALVE
- E2 COLD RINSE SOLENOID VALVE
- E3 WATER SOFTNER SOLENOID VALVE
- K1-K2 R.F.I. FILTERS
- L1 TERMINAL BLOCK
- M1 WASH PUMP
- M2 BOOSTER PUMP
- M3 DRAIN PUMP
- M6 DETERGENT DISPENSER
- M7 RINSE AID DISPENSER
- NT1 NTC - BOILER TEMPERATURE SENSOR
- NT2 NTC - TANK TEMPERATURE SENSOR
- P1,2 PRESSURE SWITCH
P1: TANK LEVEL
P2: OVERFLOW
- R1 TANK HEATING ELEMENT
- R2 BOILER HEATING ELEMENT
- S1 DOOR SWITCH

WATER SOFTNER
VERSIONS ONLY (LB
RANGE)

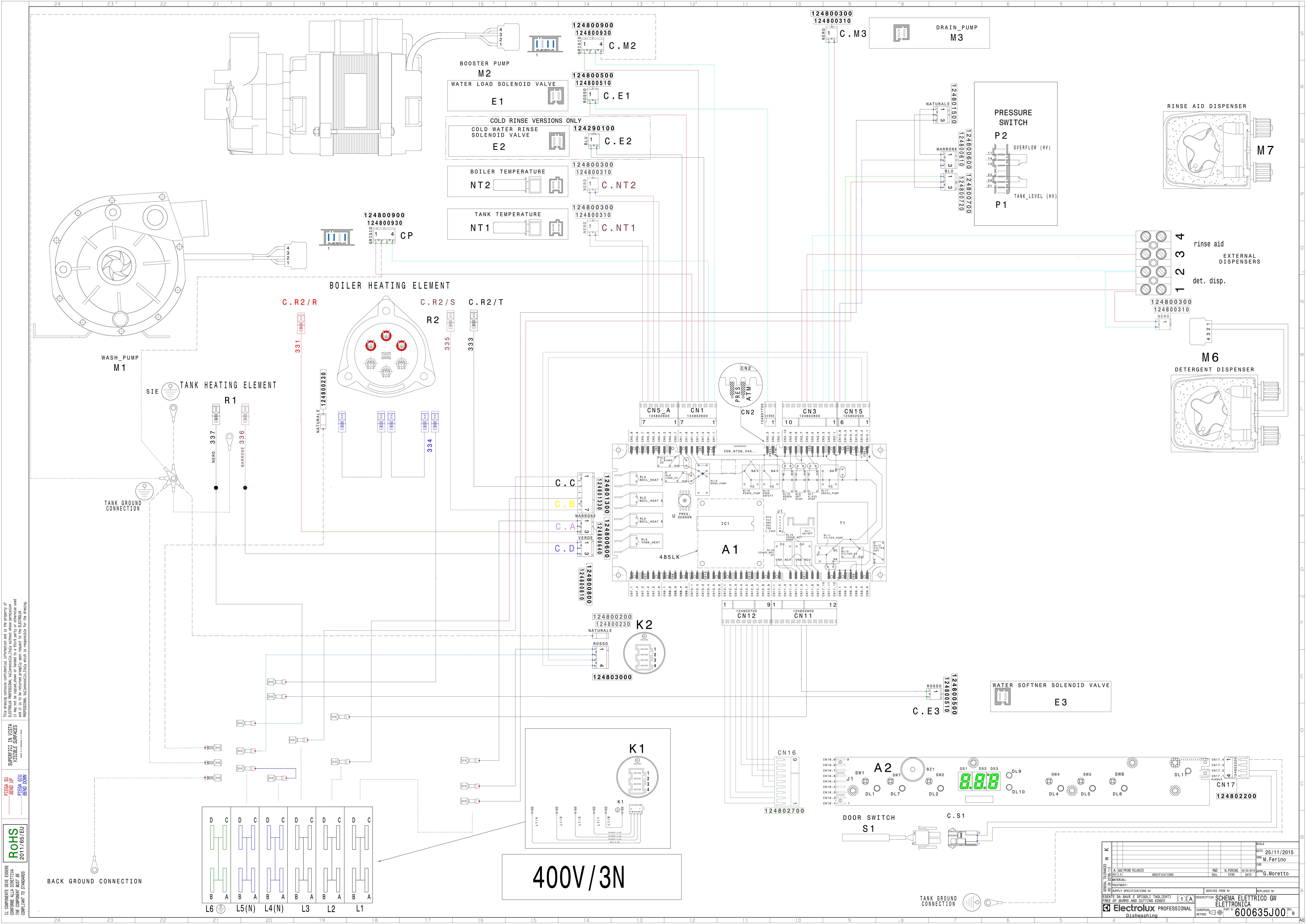
400V/3N

This drawing contains confidential information and is the property of
 ELECTROLUX PROFESSIONAL, Valmona, Italy, without whose permission
 it is not to be reproduced, stored in a retrieval system, or used
 in any form or by any means, electronic, mechanical, photocopying,
 recording, or by any information storage and retrieval system, without
 the prior written permission of ELECTROLUX PROFESSIONAL, Valmona, Italy, which is responsible for the drawing.

PEGA SU
 SUPERFICIO IN VISTA
 VISIBILE SOPRALLE
 PEGA GIU
 BENDI GIU

RoHS
 COMPLIANT TO STANDARDS
 2011/65/EU

SCALE	25/11/2015
DATE	M.Ferino
DESIGNER	G.Moretto
APPROVED	
DESCRIPTION	SCHEMA ELETTRICO GW
REVISION	1
REVISION	2
REVISION	3
REVISION	4
REVISION	5
REVISION	6
REVISION	7
REVISION	8
REVISION	9
REVISION	10
REVISION	11
REVISION	12
REVISION	13
REVISION	14
REVISION	15
REVISION	16
REVISION	17
REVISION	18
REVISION	19
REVISION	20
REVISION	21
REVISION	22
REVISION	23
REVISION	24



TI COMPONENTE DEVE ESSERE CONFORME ALLA DIRETTIVA ROHS COMPLIANT TO STANDARDS

THIS DRAWING CONTAINS CONFIDENTIAL INFORMATION AND IS THE PROPERTY OF ELECTROLUX PROFESSIONAL. VALLENMONTA, ITALY. WITHOUT THE PERMISSION OF ELECTROLUX PROFESSIONAL, THIS DRAWING IS NOT TO BE REPRODUCED OR USED IN ANY MANNER. ELECTROLUX PROFESSIONAL, VALLENMONTA, ITALY, WHICH IS RESPONSIBLE FOR THE DRAWING.

PERFETTO IN VISTA VISIBILI SURFACES

PERFECT UP VISIBILI SURFACES

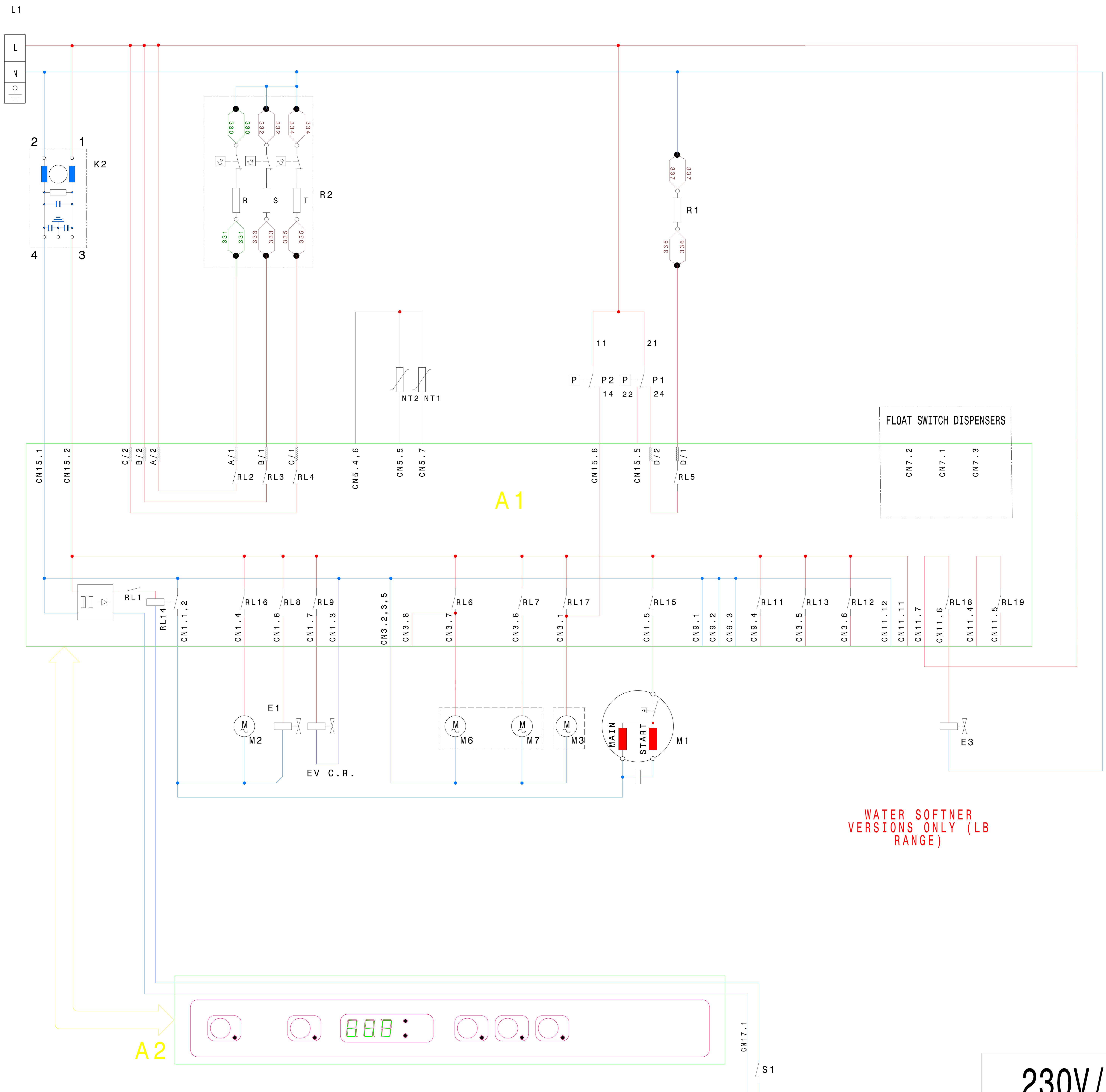
PERFECT DOWN VISIBILI SURFACES

PERFECT DOWN VISIBILI SURFACES

ROHS COMPLIANT TO STANDARDS

SCALE	DATE	25/11/2015
DESIGNER	DATE	M.Ferino
APPROVED	DATE	G.Moretto
DESCRIPTION	REPLACES NO.	SCHEMA ELETTRICO GW ELETTRONICA
1		600635J00

Electrolux PROFESSIONAL



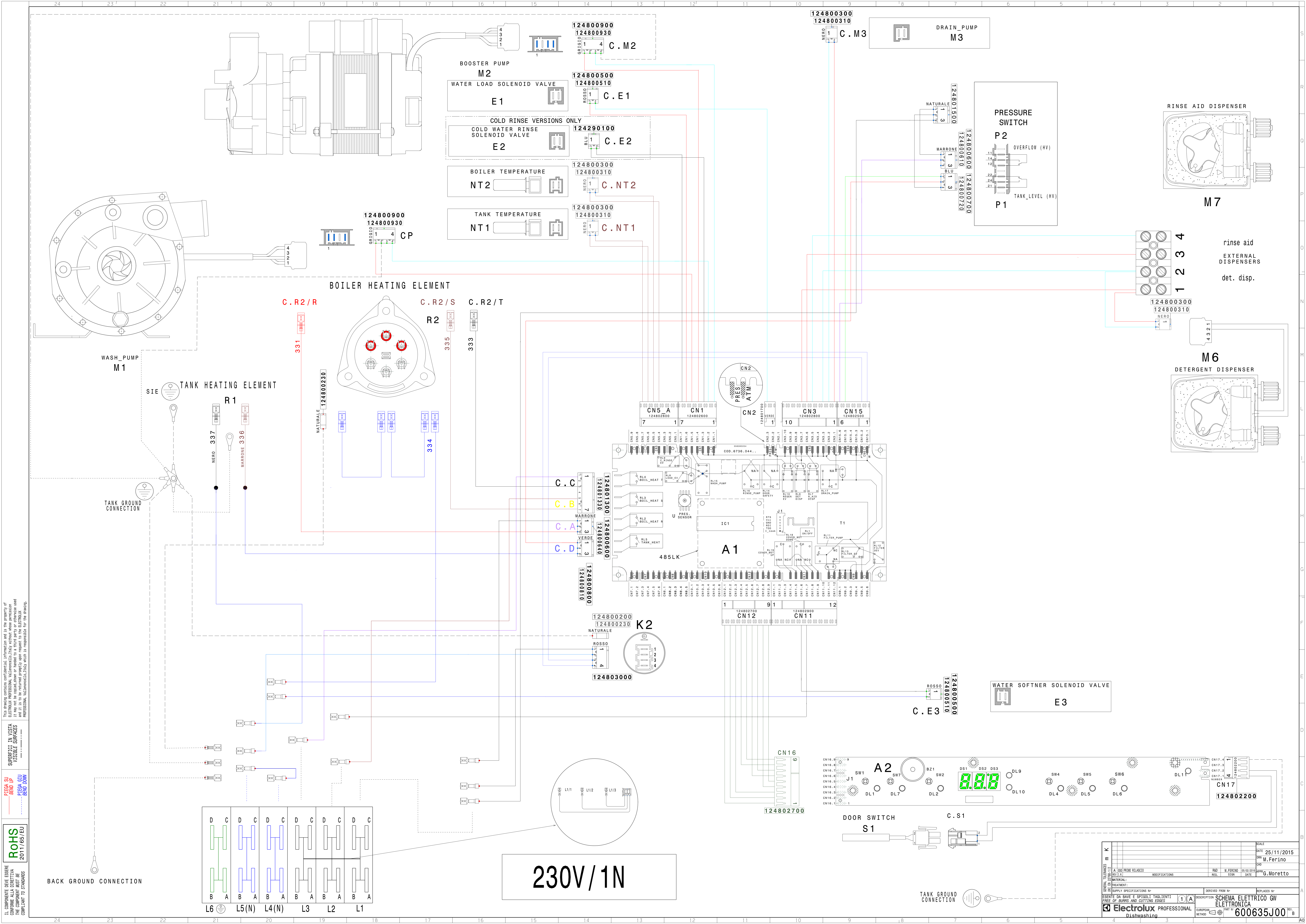
- A1 MAIN BOARD
- A2 USER INTERFACE
- CP WASH PUMP CONNECTOR
- E1 WATER LOAD SOLENOID VALVE
- E2 COLD RINSE SOLENOID VALVE
- E3 WATER SOFTNER SOLENOID VALVE
- K2 R.F.I. FILTERS
- L1 TERMINAL BLOCK
- M1 WASH PUMP
- M2 BOOSTER PUMP
- M3 DRAIN PUMP
- M6 DETERGENT DISPENSER
- M7 RINSE AID DISPENSER
- NT1 NTC - BOILER TEMPERATURE SENSOR
- NT2 NTC - TANK TEMPERATURE SENSOR
- P1,2 PRESSURE SWITCH
P1: TANK LEVEL
P2: OVERFLOW
- R1 TANK HEATING ELEMENT
- R2 BOILER HEATING ELEMENT
- S1 DOOR SWITCH

WATER SOFTNER
VERSIONS ONLY (LB
RANGE)

230V/1N

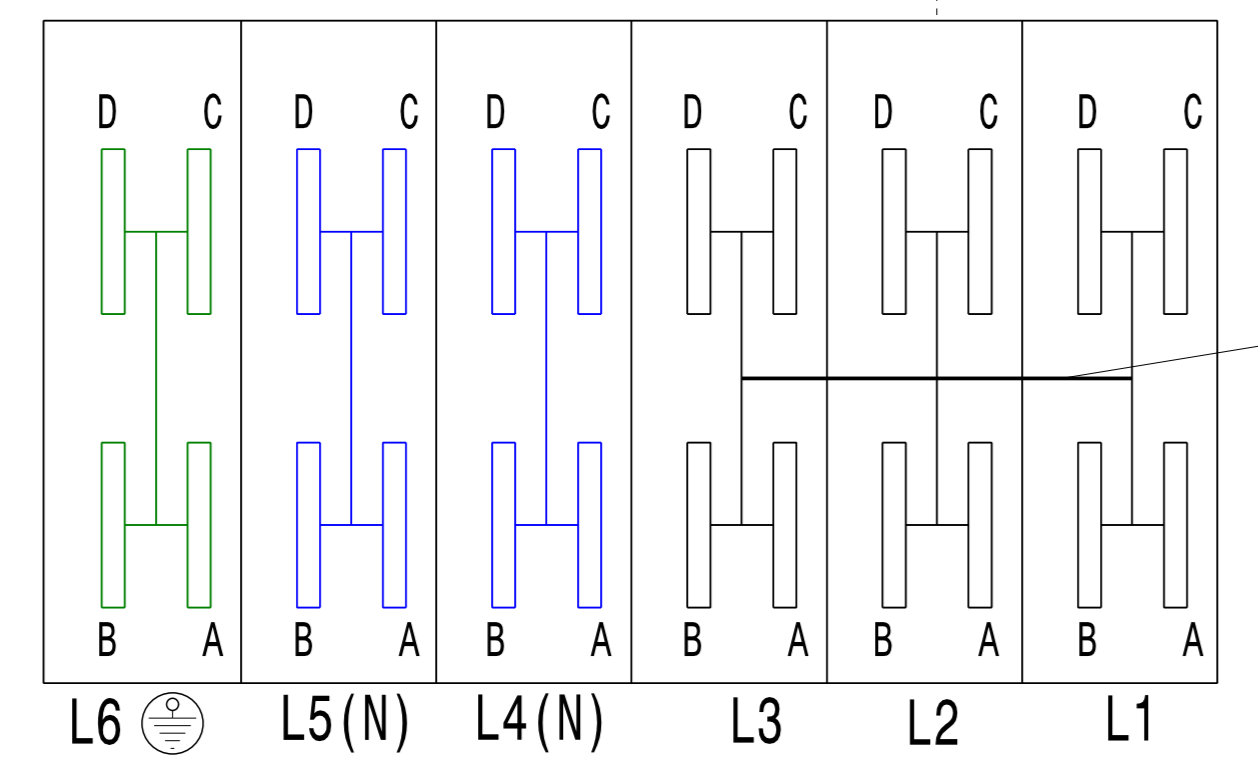
TI COMPONENTE DEVE ESSERE CONFORME ALLA DIRETTIVA CEE 2011/65/EU (ROHS) COMPLIANT TO STANDARDS P1E6A SU 6500 UP P1E6A GIU P1E6A DOWN 6500 DOWN
 This drawing contains confidential information and is the property of ELECTROLUX PROFESSIONAL, Valmonastero, Italy, without whose permission it is not to be reproduced, stored in a retrieval system or used in any form or by any means, electronic, mechanical, photocopying, recording, and IT, as to an extended period upon request to the ELECTROLUX PROFESSIONAL, Valmonastero, Italy which is responsible for the drawing.

SCALE	25/11/2015
DATE	M.Ferino
DESIGNER	G.Moretto
APPROVED	
DESCRIPTION	SCHEMA ELETTRICO GW ELETTRONICA
REPLACES	600635J00
REVISION	



TI COMPONENTE DEVE ESSERE
 CONFORME ALLA DIRETTIVA
 COMPLIANT TO STANDARDS
 SUPERFICI IN VISTA
 VISIBILI SUPERFICIE
 PTEGA SU
 650 UP
 PTEGA GIU
 650 DOWN
 ROHS
 2011/65/EU

BACK GROUND CONNECTION



230V/1N

SCALE	25/11/2015
DATE	M.Ferino
APP. DATE	G.Moretto
APP. DATE	
REPLACES NO.	
REPLACES NO.	
DESCRIPTION	SCHEMA ELETTRICO GW
DESCRIPTION	ELETRONICA
EUROPEAN METHOD	600635J00

Electrolux PROFESSIONAL
 Dishwashing



Electrolux Professional SPA
Viale Treviso 15
33170 Pordenone
www.electrolux-professional.com

NordCap GmbH & Co. KG
Thalenhorststraße 15
28307 Bremen
Hauptsitz (Service, Finanzen & Personal, Lager, IT, Marketing)

Telefon: +49 421 48557-0
Telefax: +49 421 488650
E-Mail: bremen@nordcap.de

Die NordCap Verkaufsniederlassungen in Deutschland:

Nord: Hamburg • Ost: Berlin • Süd: Ingelheim • West: Erkrath



by **NordCap**[®]



ZANUSSI
PROFESSIONAL