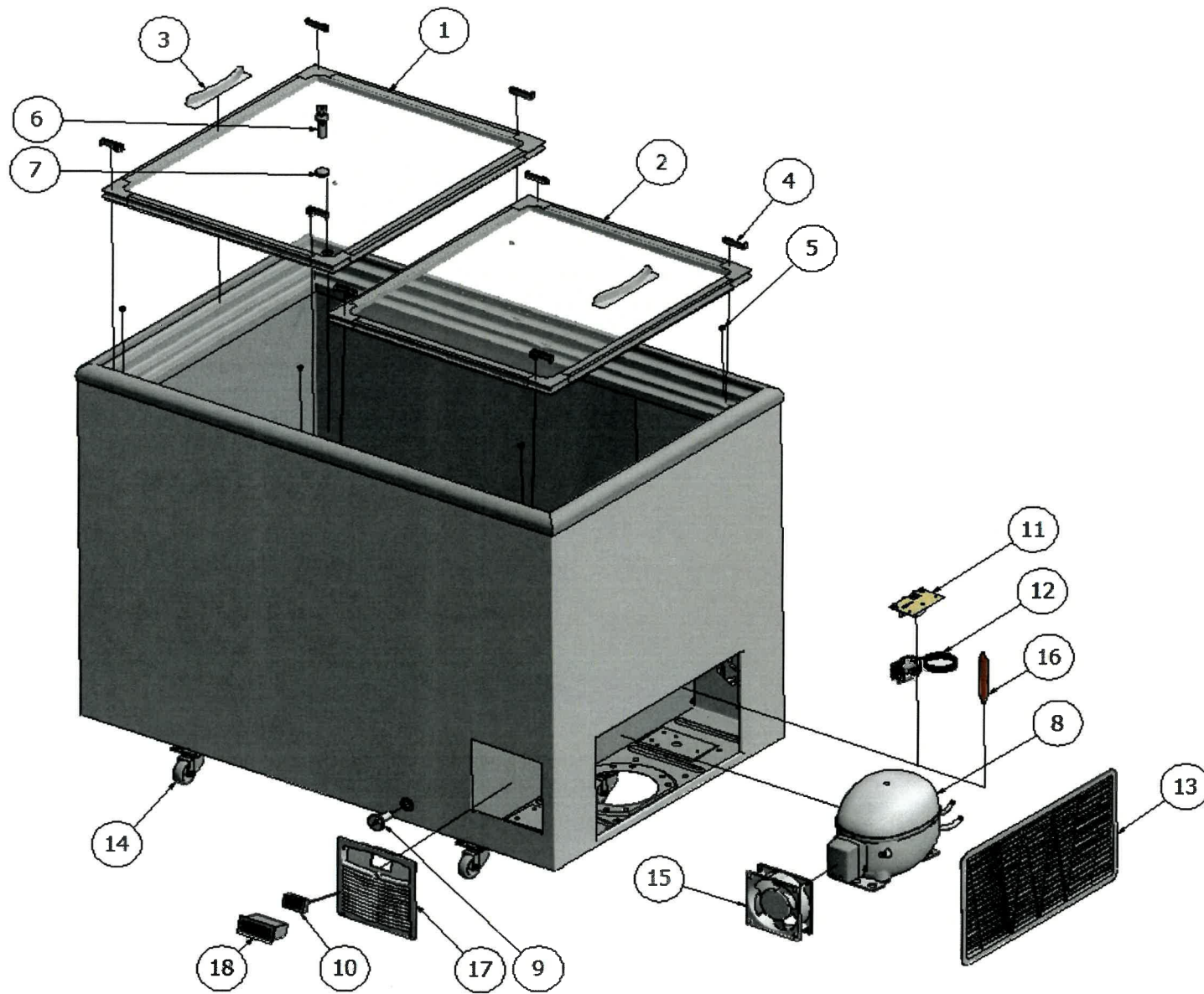


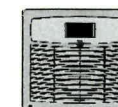
Ersatzteilliste-Explosionszeichnung

Tiefkühltruhe Serie NOVA (R-290)





PLASTMFP13
w. DIXELL

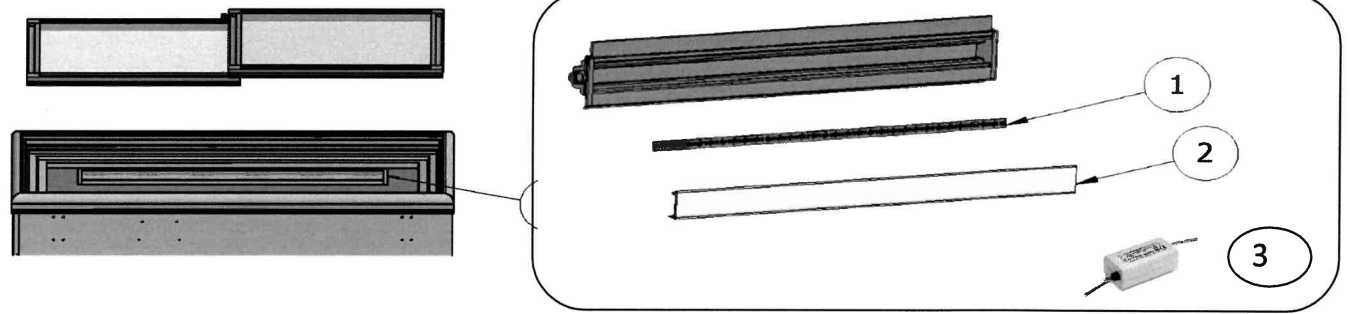


PLASTMFP15
w. Thermometer

ECO DESIGN 2023

ITEM NO.	DESCRIPTION	NOVA 22		NOVA 35		NOVA 45		NOVA 53		NOVA 61	
		CODE		CODE		CODE		CODE		CODE	
SLIDING GLASS LID											
1	GLASS LID UPPER	8014.0104		8014.0204		8014.0304		8014.0404		8014.0504	
2	GLASS LID LOWER	8014.0105		8014.0205		8014.0305		8014.0405		8014.0505	
3	GREY HANDLE FOR LID	HÄND10		HÄND10		HÄND10		HÄND10		HÄND10	
4	MINI CASTORS UNDER LID (SET to 1 LID)	PLASTD5 - 4 pcs. PLASTD3, 4 - 2+2 pcs.		PLASTD5 - 4 pcs. PLASTD3, 4 - 2+2 pcs.		PLASTD5 - 4 pcs. PLASTD3, 4 - 2+2 pcs.		PLASTD5 - 4 pcs. PLASTD3, 4 - 2+2 pcs.		PLASTD5 - 4 pcs. PLASTD3, 4 - 2+2 pcs.	
5	DOWELS FOR LOCK (6 PCS)	PLASTD6		PLASTD6		PLASTD6		PLASTD6		PLASTD6	
6	LOCK KIT COMPLETE	8100.0303		8100.0303		8100.0303		8100.0303		8100.0303	
7	LOCK HOLDER IN UPPER GLASS	PLASTD33		PLASTD33		PLASTD33		PLASTD33		PLASTD33	
MOTOR COMPARTMENT											
8	COMPRESSOR 230V 50HZ R290	EMC3117U		EMC3121U		EMC3125U		EMC3134U		EMC3140U	
OTHER											
9	STOPPER FOR OUTSIDE DRAIN	E1HU		E1HU		E1HU		E1HU		E1HU	
10	DIGITAL THERMOMETER	FTERMOMETB2		FTERMOMETB2		FTERMOMETB2		FTERMOMETB2		FTERMOMETB2	
11	THERMOSTAT PANEL	E35H		E35H		E35H		E35H		E35H	
12	THERMOSTAT R290	TERMOSTAT11		TERMOSTAT11		TERMOSTAT11		TERMOSTAT11		TERMOSTAT11	
13	GRILL FOR ENGINE COMPARTMENT	SP1417		SP1417		SP1417		SP1417		SP1417	
14	CASTORS 4 PCS KIT	8100.0200		8100.0200		8100.0200		8100.0200		8100.0200	
14	CASTORS 2 PCS WITH, 2 PCS W/O BRAKE	8100.0202		8100.0202		8100.0202		8100.0202		8100.0202	
15	FAN 110 - 240V	--		--		--		BLAES9		BLAES9	
16	FILTER DRYER	FILTER6XH9		FILTER6XH9		FILTER6XH9		FILTER6XH9		FILTER6XH9	
17	FRONT VENTILATION GRILL	PLASTMFP13,15		PLASTMFP13, 15		PLASTMFP13, 15		PLASTMFP13, 15		PLASTMFP13, 15	

INTERNAL LIGHT



1	LED LIGHTS	LED21		LED16		LED17		LED18		LED19	
2	CLEAR LIGHT COVER	P-PROFIL02		P-PROFIL02		P-PROFIL02		P-PROFIL02		P-PROFIL02	
3	POWER SUPPLY 115/230V	PSU3		PSU3		PSU3		PSU3		PSU3	

Finanzen/Service
28307 Bremen
Thalendorststraße 15
Tel.+49 421 48557-0
Fax+49 421 488650
bremen@nordcap.de

Vertrieb Ost
12681 Berlin
Wolfener Straße 32/34, Haus K
Tel.+49 30 936684-0
Fax+49 30 936684-44
berlin@nordcap.de

Vertrieb West
40699 Erkrath
Max-Planck-Straße 30
Tel.+49 211 540054-0
Fax+49 211 540054-54
erkrath@nordcap.de

Vertrieb Nord
21079 Hamburg
Großmoorbogen 5
Tel.+49 40 766183-0
Fax+49 40 770799
hamburg@nordcap.de

Vertrieb Süd
55218 Ingelheim
Hermann-Bopp-Straße 4
Tel.+49 6132 7101-0
Fax+49 6132 7101-20
ingelheim@nordcap.de



www.nordcap.de