

Ersatzteilliste-Explosionszeichnung

Elektro-Rostgrill ERG7 / 2H



ELECTRIC GRILL E700 XP
GRIGLIA ELETTRICA E700 XP

PNC	Model	Ref	Brand	Version	Notes
371241	E7GREDGCFU	A	ELX	EL	GRILL ON BASE 400MM
371242	E7GREHGCFU	B	ELX	EL	GRILL ON BASE 800MM
372241	Z7GREDGCFU	C	ZAN	EL	GRILL ON BASE 400MM
372242	Z7GREHGCFU	D	ZAN	EL	GRILL ON BASE 800MM

Index

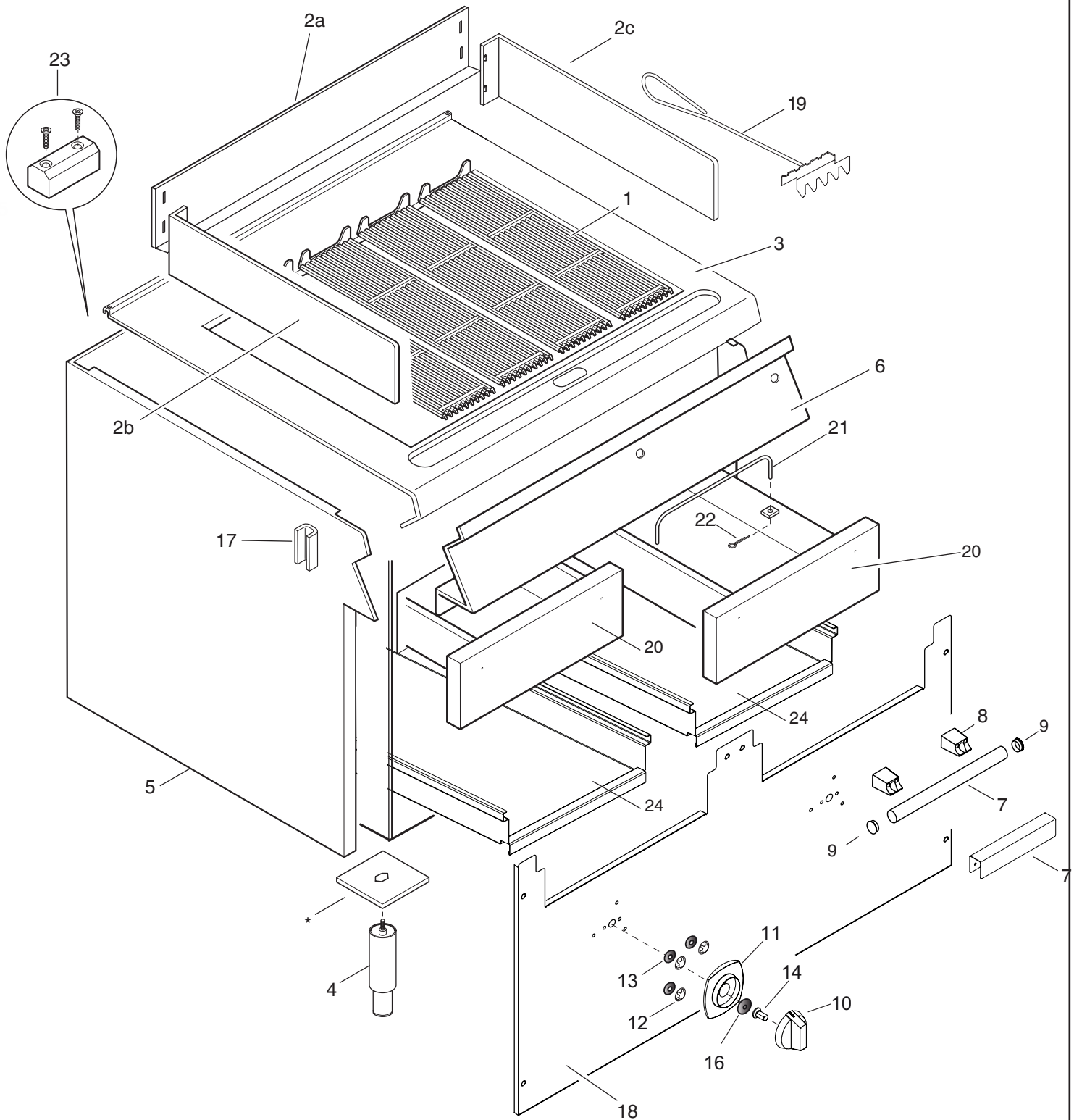
General components / Componenti generali
Electric components / Componenti elettrici
Spare parts list / Lista ricambi

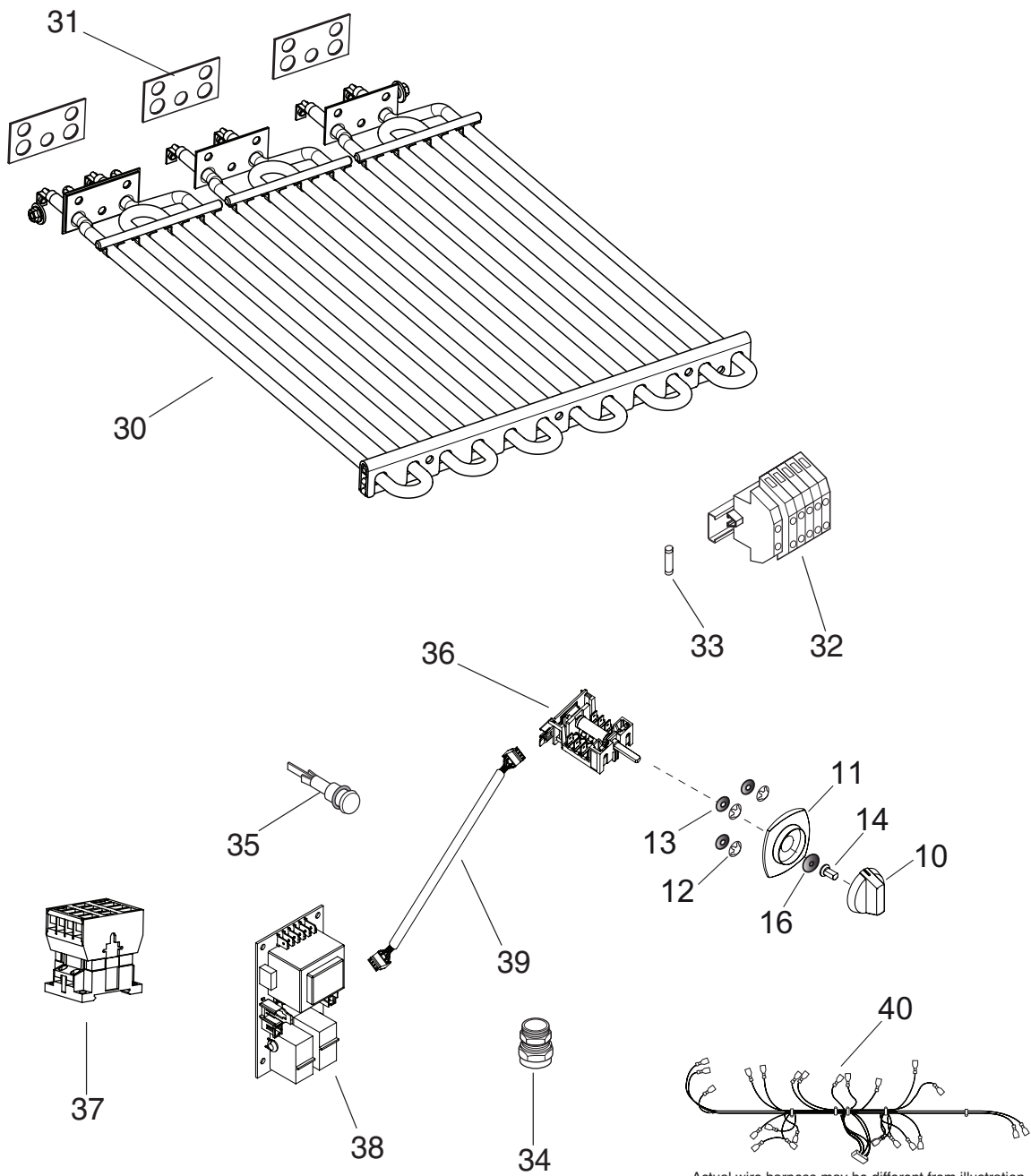
Page

2
3
4

Bold=last change / Grassetto =ultima modifica

Rev. 4





Actual wire harness may be different from illustration.

ELECTRIC GRILL E700 XP
GRIGLIA ELETTRICA E700 XP

Pos	Factory Code	Spare Code	Descrizione	Description	Ref./Notes
1	510828T00	0CB529	GRIGLIA DI COTTURA IN GHISA SMALTATA	ENAMELLED IRON GRID	A, C – 2 pieces
1	510828U00	0CB530	GRIGLIA DI COTTURA IN GHISA SMALTATA	ENAMELLED IRON GRID	B, D – 4 pieces
2a	500899400	0CB249	PARETE POST. PARASPRUZZI	BACK PANEL SPLASHBACK	A,C
2a	500899300	0CA355	PARETE POST. PARASPRUZZI	BACK PANEL SPLASHBACK	B,D
2b	500899100	0CA353	PARETE SINISTRA PARASPRUZZI	LEFT PANEL SPLASHBACK	Depth 700
2c	500899200	0CA354	PARETE DESTRA PARASPRUZZI	RIGHT PANEL SPLASHBACK	Depth 700
3	87089Q500	*	TOP	TOP	A ELUX 400 mm
3	87089Q400	*	TOP	TOP	B ELUX 800 mm
3	87089QB00	*	TOP	TOP	C ZAN 400 mm
3	87089QA00	*	TOP	TOP	D ZAN 800 mm
4	835856900	0C0204	PIEDE	FOOT	
5	85089FF01	0C8598	FIANCO (FASCIA LATERALE)	SIDE PANEL	A ELUX 400 mm
5	85089FD01	*	FIANCO (FASCIA LATERALE)	SIDE PANEL	B ELUX 800 mm
5	85089FH01	*	FIANCO (FASCIA LATERALE)	SIDE PANEL	C ZAN 400 mm
5	85089FJ01	*	FIANCO (FASCIA LATERALE)	SIDE PANEL	D ZAN 800 mm
6	85089MG00	*	CRUSCOTTO ½ MODULO	FRONT PAMEL ½ MODULE	A ELUX 400 mm
6	85089MN00	*	CRUSCOTTO 1 MOD	FRONT PANEL	B ELUX 800 mm
6	85589GJ00	*	CRUSCOTTO ½ MODULO	FRONT PAMEL ½ MODULE	C ZAN 400 mm
6	85089MQ00	*	CRUSCOTTO 1 MOD	FRONT PANEL	D ZAN 800 mm
7	515899B01	0C6793	MANIGLIA	HANDLE	A,B
7	50389V000	0C7564	MANIGLIA	HANDLE	C,D
8	500R01702	0C6891	SUPPORTO MANIGLIA	HANDLE SUPPORT	
9	530R01802	0C6823	TAPPO MANIGLIA	HANDLE PLUG	
10	548877W00	0C8700	MANOPOLA ELUX	KNOB	A,B WITH ADAPTER
10	548878201	0C7232	MANOPOLA ZAN	KNOB	C,D
11	54887B500	*	GHIERA PER COMMUTATOTE	KNOB RING, SELECTOR	A,B
11	54887B600	0C9970	GHIERA PER COMMUTATOTE	KNOB RING, SELECTOR	C,D
12	218912211	069567	MOLLETTA PER GHIERA	RING, RING KNOB	
13	541813800	0C6171	RONDELLA IN SILICONE	SILICONE ORING	
14	548877V00	0C7345	ADATTATORE MANOPOLA	KNOB ADAPTER	A,B
16	543821000	053816	GUARNIZIONE MANOPOLA	KNOB GASKET	
17	527850500	0C0156	PIASTRA FISSAGGIO FIANCHI	SIDE PANELS JOINTING PLATE	
18	80083A601	0CB331	PANNELLO FRONTALE	FRONT PANEL	A,C
	80083A701	0CB332	PANNELLO FRONTALE	FRONT PANEL	B,D
19	83089KH00	*	RASCHIETTO	GRILL SCRAPER	
20	85089D701	*	CASSETTO (senza maniglia)	DRAWER (without handle)	1pcs x A,C 2pcs x B,D
21	514885600	059299	MANIGLIA OLIO, INTERNO CASSETTO	INNER OIL DRAWER HANDLE	
22	219293205	0C0477	COPPIGLIA MANIGLIA	PIN HANDLE STOPPER	
23	*	0C9655	PIASTRA UNIONE POSTERIORE	JOINTING REAR PLATE	KIT :SCREWS & PLATE
24	50289GY00	0CB329	PROTEZIONE INFERIORE CASSETTO	LOWER PROTECTION DRAWER	
30	617839R00	0C9971	RESISTENZA 2000W 230V	HEATING ELEMENT 2000W 230V	3pcs x A,C 6pcs x B,D
31	543844S00	0C9968	GUARNIZIONE RESISTENZA	HEATING ELEMENT GASKET	
32	639811900	0C4759	MORSETTIERA	MAIN TERMINAL BLOCK	
33	652806100	0C4996	FUSIBILE	FUSE	5X20MM 3,15AMP
34	544802300	0C0068	PRESSACAVO	FIXING CABLE	
35	876800002	005010	LAMPADA SPIA VERDE	PILOT LAMP; GREEN	
36	641805900	0C9939	COMMUTATORE LINEARE GOTTAK	SELECTOR	

ELECTRIC GRILL E700 XP
GRIGLIA ELETTRICA E700 XP

Pos	Factory Code	Spare Code	Descrizione	Description	Ref./Notes
37	648807400	006879	CONTATTORE	RELAY	
38	673800601	0C9972	SCHEDA ELETTRONICA "SPARTA"	ELECTRONIC BOARD "SPARTA"	
39	*	0C9773	CAVETTO, SELETTORE/SPARTA	CABLE, SELECTOR/SPARTA	Just indicated cable
40	634803V01	0CA266	ASSIEME CAVI 1 MODULO	WIRING HARNESS	B,D
40	634803U01	0CB667	ASSIEME CAVI ½ MODULO	WIRING HARNESS	A,C

Finanzen/Service

28307 Bremen
Thalendorststraße 15
Tel.+49 421 48557-0
Fax+49 421 488650
bremen@nordcap.de

Vertrieb Ost

12681 Berlin
Wolfener Straße 32/34, HausK
Tel.+49 30 936684-0
Fax+49 30 936684-44
berlin@nordcap.de

Vertrieb West

40699 Erkrath
Max-Planck-Straße 30
Tel.+49 211 540054-0
Fax+49 211 540054-54
erkrath@nordcap.de

Vertrieb Nord

21079 Hamburg
Großmoorbogen 5
Tel.+49 40 766183-0
Fax+49 40 770799
hamburg@nordcap.de

Vertrieb Süd

55218 Ingelheim
Hermann-Bopp-Straße 4
Tel.+49 6132 7101-0
Fax+49 6132 7101-20
ingelheim@nordcap.de



www.nordcap.de