

Ersatzteilliste-Explosionszeichnung

Umluft-Gewerbekühlschrank KU 702-G-Z Premium



Thermoregulator
refrigerator - 1M - full door

CABINETS PREMIUM

class 7

PNC	Avv.	Model	Brand	Ref.	Page
110115	05/18	FV 1M PREMIUM Rgt hinged 304/304 DIG. -2/+10	ZANUSSI	b	2,5,6,9,10
110116	00/19	FV 1M PV PREMIUM 304/304 DIG. +2/+10	ZANUSSI	g	4,5,9
110117	05/19	FV 1M 2 1/2 PORTE TN -2/+10 PREMIUM	ZANUSSI	m	3,5,6,9,10
110193	00/00	1DOOR REFR.670L -2+10°C DIG.A304 60HZ-UK	ZANUSSI	w	2,5,6,9,10
110195	00/00	1GLASS D REF.670L+2/+10°DIG.A304 60HZ-UK	ZANUSSI	x	4,5,9
190124	00/01	FV 1M PV BRINE SYSTEM Version Lft hinged DIG. +2/+10rem	ELUX	v	4,7,9
190530	00/00	1-GLASS DR REFR 670L +2/+10°C, DIG Rem.	ELUX	a1	4,7,9
190916	01/01	1-DOOR REFRIGER 670L -2/+10°C,DIGIT	ELUX	b1	2,5,6,9,10
190964	00/00	FV 1M PREMIUM Rgt hinged 304/304 DIG. -2/+10	ALPEN	c1	2,5,6,9,10
727247	05/18	FV 1M PREMIUM Rgt hinged 304/304 DIG. -2/+10	ELUX	a	2,5,6,9,10
727248	05/18	FV 1M PREMIUM Lft hinged304/304 DIG. -2/+10	ELUX	a	2,5,6,9,10
727249	05/19	FV 1M PV PREMIUM 304/304 DIG. +2/+10	ELUX	f	4,5,9
727250	05/19	FV 1M 2 1/2 PORTE TN -2/+10 PREMIUM	ELUX	e	3,5,6,9,10
727337	05/19	FV 1M PREMIUM UK 304/304 DIG. -2/+10	ELUX	d	2,5,6,9,10
727338	00/20	FV 1M PV PREMIUM UK 304/304 DIG. +2/+10	ELUX	i	4,5,9
727339	05/20	FV 1M 2 1/2 PORTE TN-2/+10 PREMIUM - UK	ELUX	o	3,5,6,9,10
727572	00/00	1DR REFRIG.670L -2+10°C DIG.A304 60HZ-UK	ELUX	y	2,5,6,9,10
727574	00/00	1-GLASS DR REF 670L +2/+10°C DIG.60HZ-UK	ELUX	z	4,5,9
728642	05/18	FV 1M PREMIUM Rgt hinged 304/304 DIG. -2/+10	ALPEN	c	2,5,6,9,10
728643	13/19	FV 1M PV PREMIUM ALPEN 304/304 DIG. +2/+10	ALPEN	h	4,5,9
728644	05/19	FV 1M 2 1/2 PORTE TN -2/+10 PREMIUM	ALPENINOX	n	3,5,6,9,10
728715	00/14	FV 1M PREMIUM UK 304/304 DIG. -2/+10	ALPEN	p	2,5,6,9,10
728716	00/14	FV 1M PV PREMIUM UK 304/304 DIG. +2/+10	ALPEN	s	4,5,9
728717	00/15	FV 1M 2 1/2 PORTE TN-2/+10 PREMIUM - UK	ALPEN	r	3,5,6,9,10
728842	00/06	FV 1M PV PREMIUM 304/304 DIG. +2/+10 REM	ALPEN	t	4,7,9

Note: per la corretta identificazione dei componenti, attenersi esclusivamente alle pagine indicate e alla lettera di riferimento.

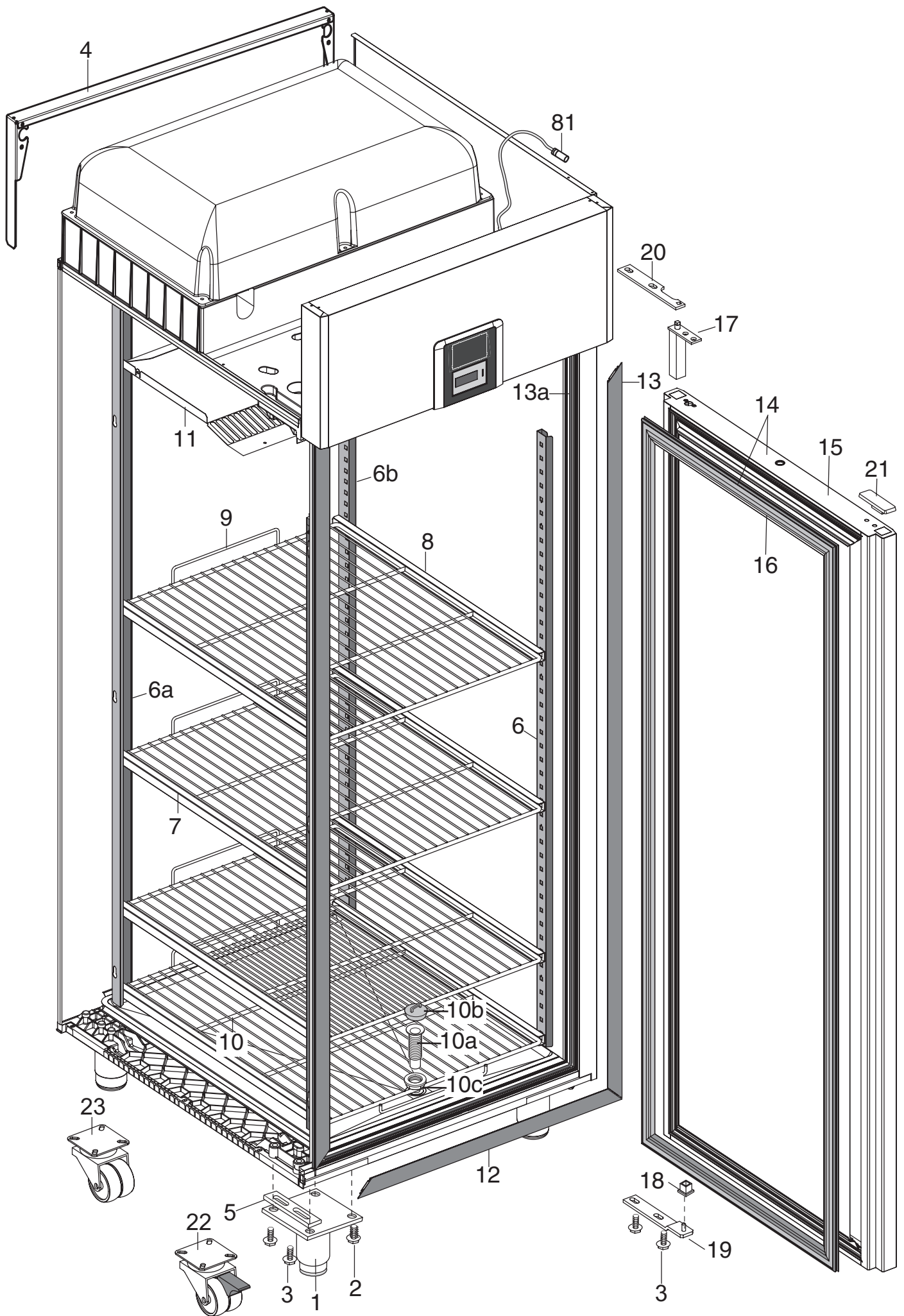
Note: for the correct identification of the components, follow the indicated pages and the reference letter.

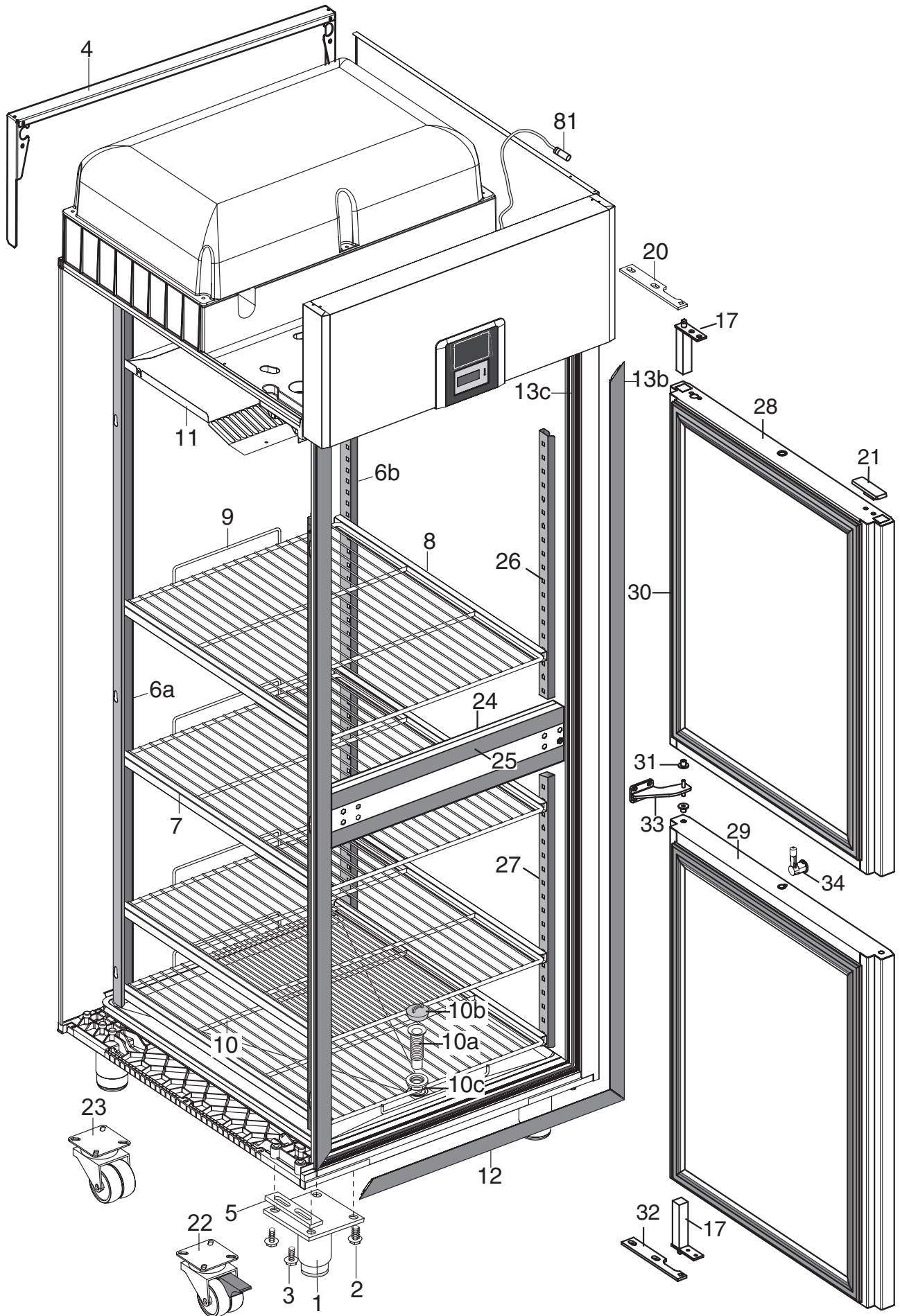
Rev. 10

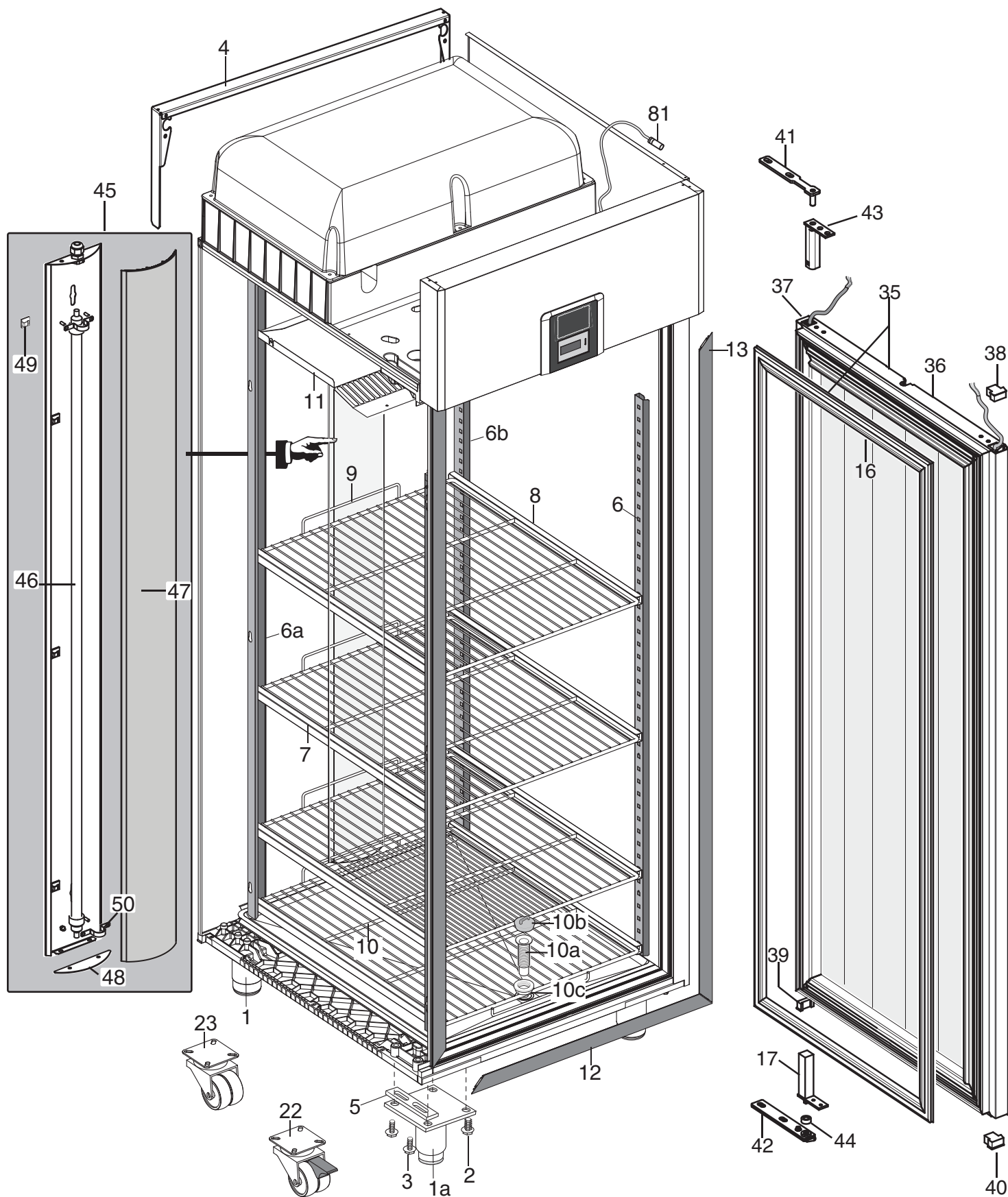
Pag. 2,3,4
5,6
7,8
9,10
11-16

Index Indice

Cabinet and door	Armadio e porta
Cooling unit assembly	Gruppo refrigerante
Remote cooling unit assembly	Gruppo refrigerante remoto
Control panel	Pannello comandi
Spare parts list	Lista ricambi

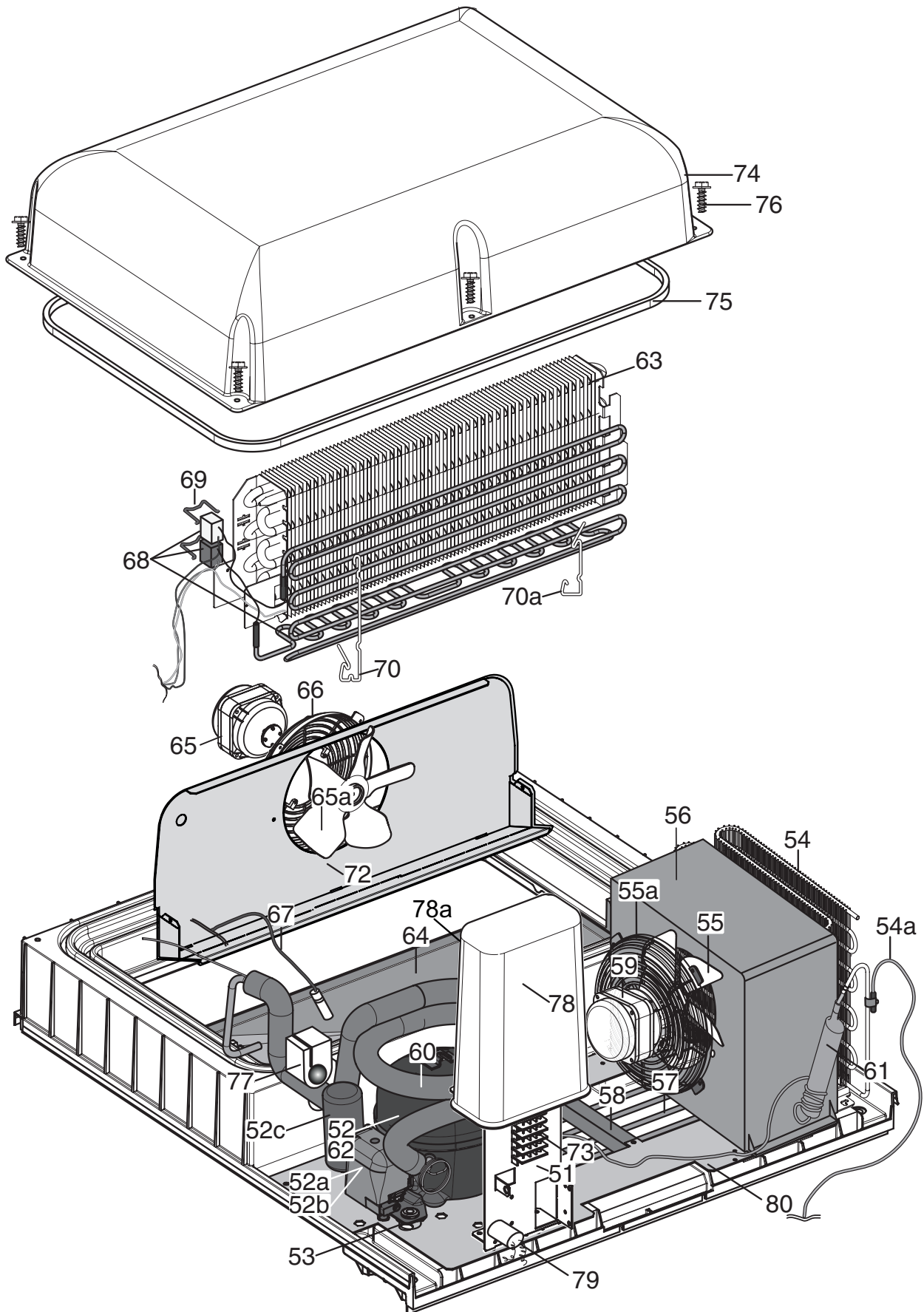






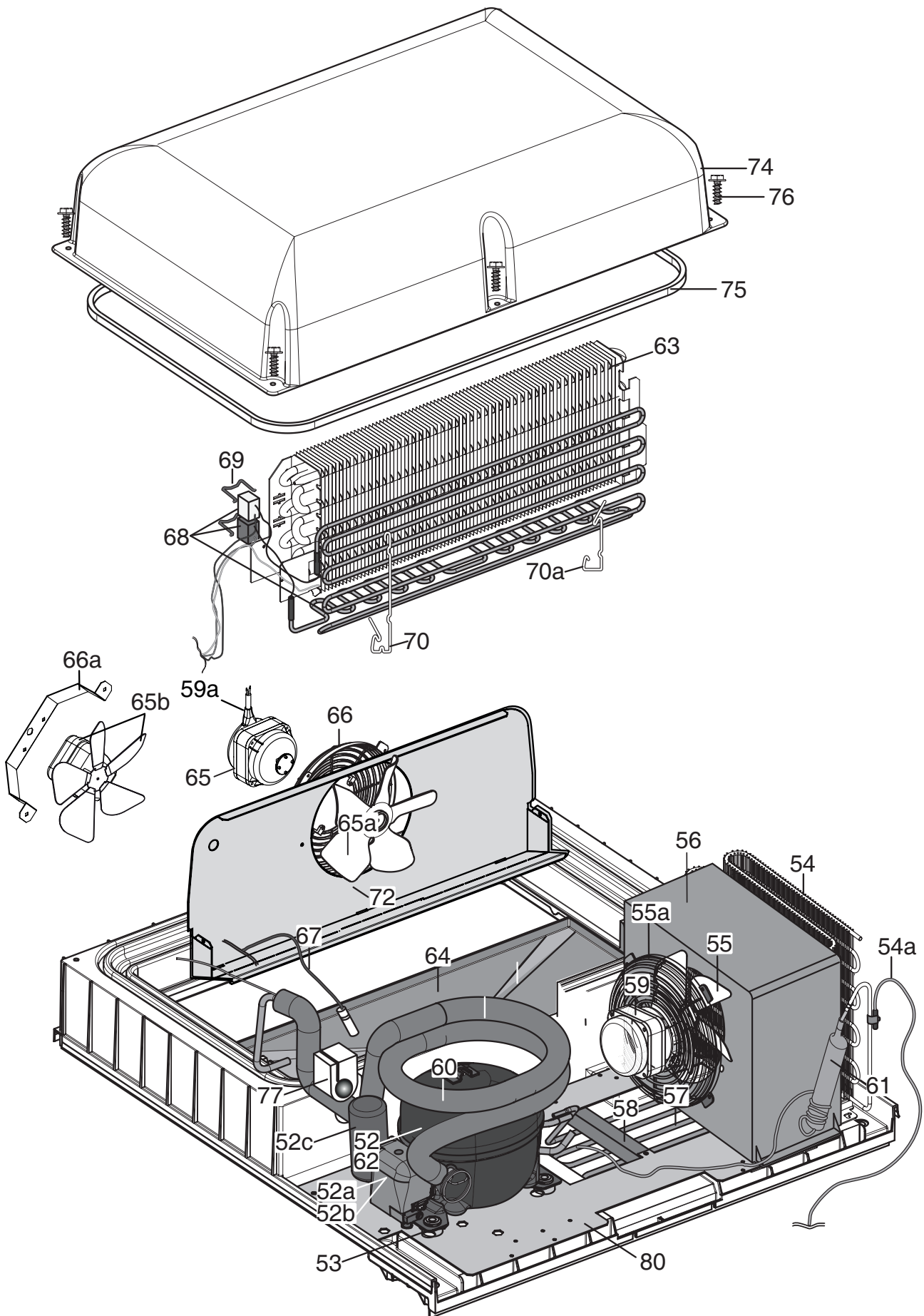
COOLING UNIT ASSEMBLY

for glass door always and full door up to 2021/37



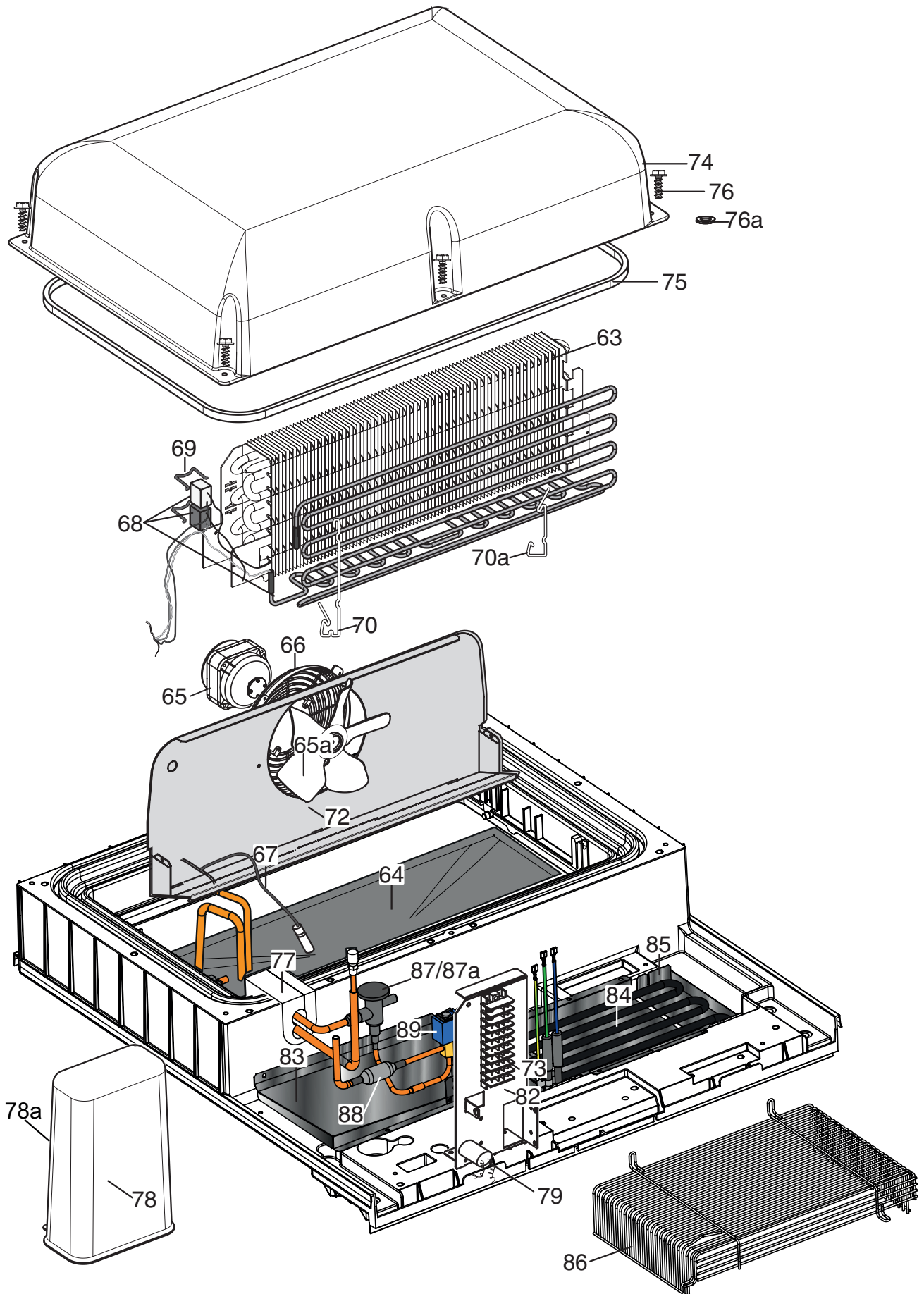
COOLING UNIT ASSEMBLY

for full door from 2021/38



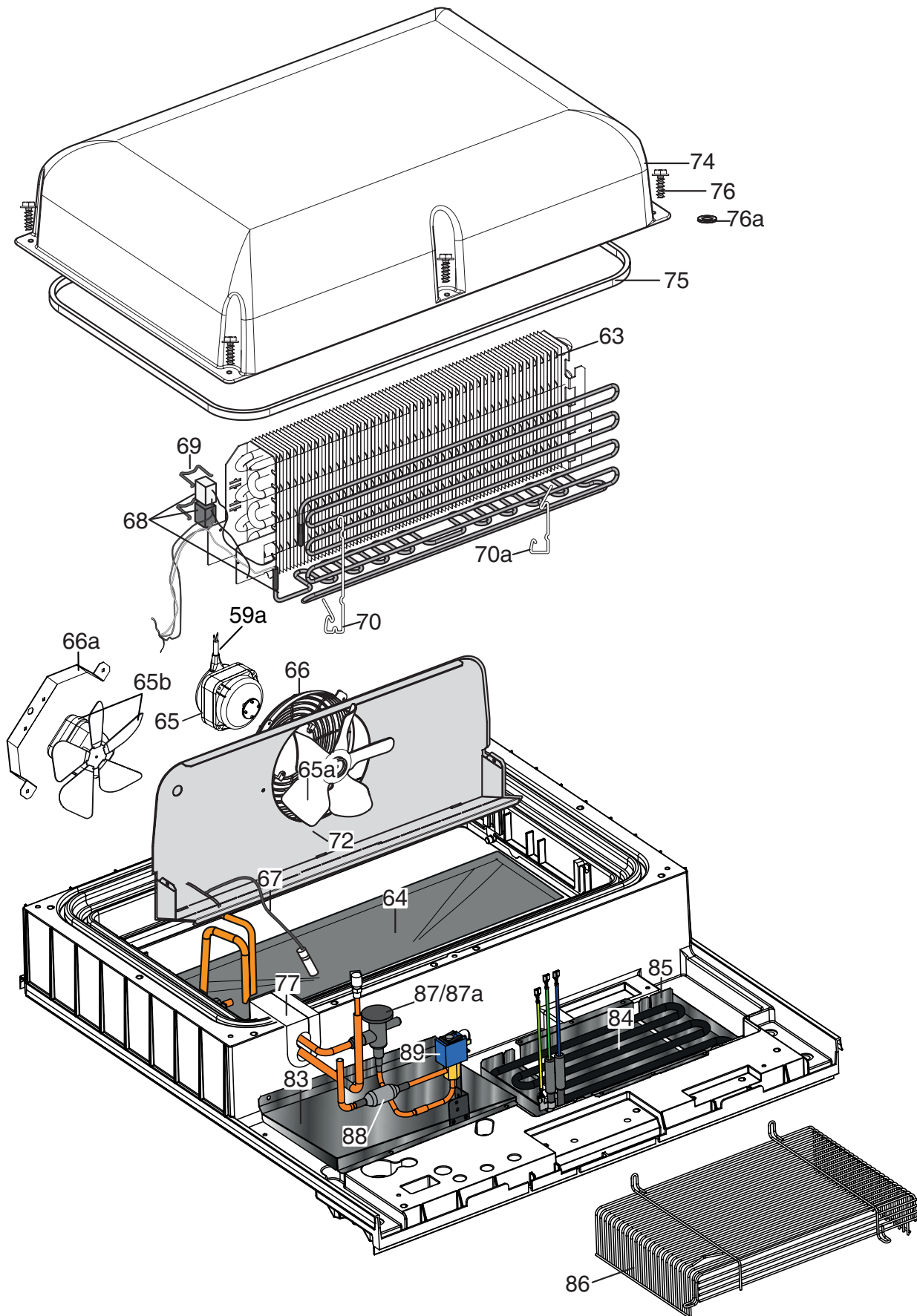
REMOTE COOLING UNIT ASSEMBLY

for glass door always and full door up to 2021/37



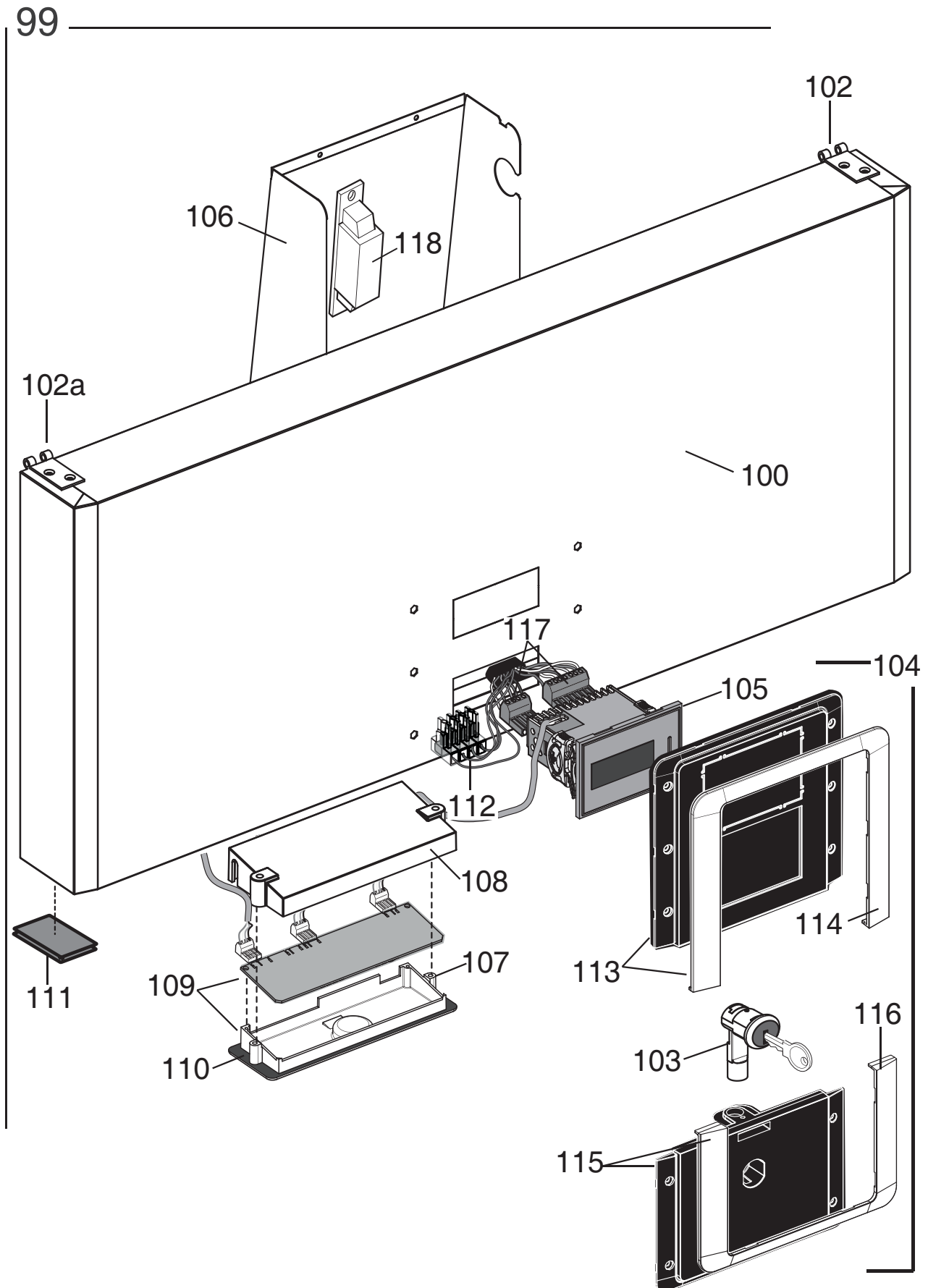
REMOTE COOLING UNIT ASSEMBLY

for full door from 2021/38



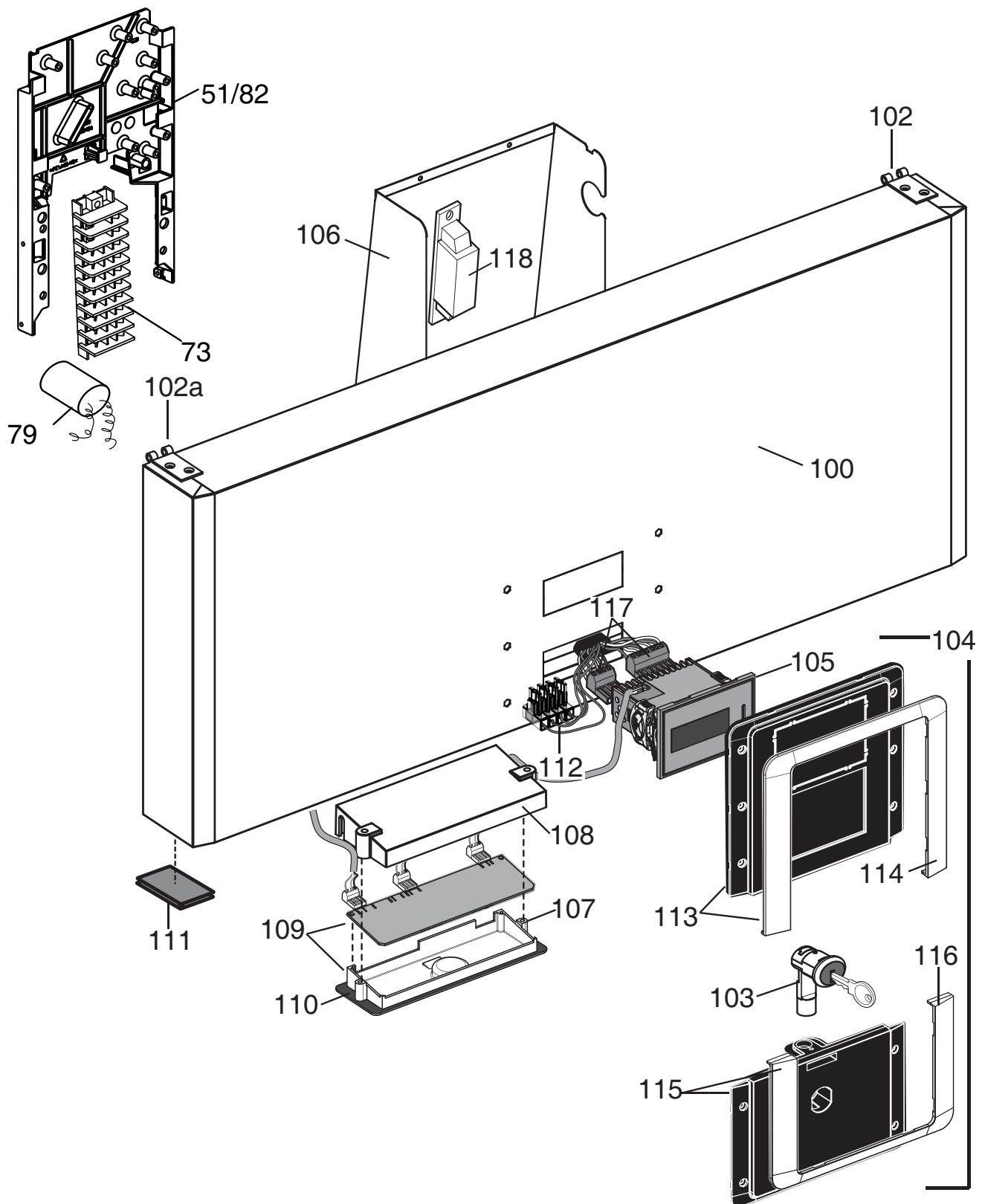
CONTROL PANEL

for glass door always and full door up to 2021/37



CONTROL PANEL for full door from 2021/38

99



Pos	Spare parts code	Factory code	Descrizione	Description	Ref - Note
1	093243	541R05001	Piedino	Foot	
1a	093244	518R02600	Piedino anteriore porta vetro	Back foot glass door	
2	093245	217555204	Vite per plastica per piedino	Screw (use by fix foot)z	
3	093246	518708601	Vite M8x20 per fiss. staffa sup/inf	Screw M8X20 (use by fix bracket)	
4	093247	502R17400	Staffa supporto fianchi	Side support (upper)	
5	093248	546R22800	Distanziale per piede	Foot spacer	
6	093355	501R36201	Cremagliera anteriore	Front Rack	Not for b1
6a	093356	501R48300	Cremagliera posteriore dx 304	Right back rack	Not for b1
6b	093357	501R36101	Cremagliera posteriore sx 304	Left back rack	Not for b1
7	093358	501R48000	Guida Sx	Left support	Not for b1
8	093359	501R48200	Guida Dx	Right support	Not for b1
9	093252	514R10600	Griglia 2/1 rilsan	Grid 2/1rilsan	a,b,e,f,g,i,m,o, p,r,s,w,x,y,z, a1
9	093360	514R10700	Griglia 2/1 aisi 304	Grid 2/1 aisi 304	c,h,n up to 4161
9	081883	514702003	Griglia 2/1 aisi 304	Grid 2/1 aisi 304	c,h,n,t,c1 from 4171
10	093296	514R12100	Griglia di fondo aisi 304	Bottom grid aisi 304	c,h,n up to 4161
10	094231	514R17500	Griglia di fondo aisi 304	Bottom grid aisi 304	c,h,n,t,c1 from 4171
10	093253	514R12200	Griglia di fondo rilsan	Bottom grid rilsan	a,b,e,f,g,i,m,o, p,r,s,w,x,y,z, a1
10a	093714	546R26000	Piletta	Drain pipe	
10b	085535	545733700	Tappo	Plug	
10c	081797	544701400	Dado per piletta	Nut pipe	
11	*	875R37401	Assieme carter interno	Internal protection assembly	
12	093254	832R09001	Cornice orizzontale	Horizontal frame	
13	093255	832R09101	Cornice verticale	Vertical frame	
13b	093256	832R09301	Cornice verticale 1/2 porte	Vertical frame 1/2 doors	
13a	093361	617R07102	Cavo riscaldante cornice 8,9 W	Heating cable frame 8,9 W	Up to 2021/37
13a	097288	617R26000	Cavo riscaldante cornice 8,9 W	Heating cable frame 8,9 W	From 2021/38
13c	093362	617R07302	Cavo riscaldante cornice 1/2 porte	Heating cable frame half doors	
14	093478	835R27208	Porta con guarnizione aisi 304	Gasket and door	a,b,c,d,p,w,y, c1
14	093289	835R27008	Porta con guarnizione aisi 304	Gasket and door	b1
15	093477	835R27607	Porta aisi 304	Door	a,b,c,d,p,w,y, c1
15	093581	835R27407	Porta aisi 304	Door	b1
16	093257	548R06802	Guarnizione porta vetro	Gasket glass door	
16	094152	548R08000	Guarnizione porta cieca	Gasket full door	
17	082219	835704001	Cerniera porta	Hinge door	
18	081654	544700601	Boccola per porta	Door bush	
19	093341	833R21600	Staffa inferiore porta	Lower stirrup door	
20	082257	505723802	Staffa superiore porta	Upper stirrup door	
21	093271	541R05301	Tappo per cerniere	Hole hinge plug	
22	093575	825R24900	Ruota rotante con freno	Brake weel	d,i,o,p,r,s
23	093574	835R24800	Ruota rotante	Weel	d,i,o,p,r,s
24	093342	880R64100	Traversa per 1/2 porte a304	Support half door a304	
25	093272	543R09900	Cornice per traversa	Support half door frame	

Pos	Spare parts code	Factory code	Descrizione	Description	Ref - Note
26	093363	501R51700	Cremagliera ant. 1/2 porte sup.	Upper rack 1/2 doors a304	
27	093364	501R46100	Cremagliera ant. 1/2 porte 304 inf.	Lower rack 1/2 doors a304	
28	093546	835R26310	Ass.1/2 porta superiore a304	Upper half door a304	
29	093519	835R25509	Ass.1/2 porta inferiore a304	Lower half door a304	
30	094153	548R08100	Guarnizione magnetica 1/2 porte	Half door gasket	
31	093392	546R21100	Boccola per cerniera 1/2 porte	Half door bush	
32	093301	833R21900	Ass. staffa inf.(reversibile) pv-1\2p	Lower bracket (reversible)	
33	093344	505R12400	Cerniera centrale	Central hinge door	
34	093433	833R21100	Serratura	Serratura	
35	093522	880R57101	Ass. porta vetro con cerniere	Glass door assembly complete	
36	093461	879R15700	Porta vetro premium	Glass door	
37	093535	546R22400	Tappo sup. dx pv	Upper right plug door GL	
38	093536	546R22300	Tappo sup. sx pv	Upper left plug door GL	
39	093537	546R22500	Tappo inf. dx pv	Lower right plug door GL	
40	093538	546R22200	Tappo inf. sx pv	Lower left plug door GL	
41	093349	505R12700	Staffa superiore pv	Upper hinge GL	
42	093301	833R21900	Ass. staffa inf.(reversibile) pv-1\2p	Lower bracket (reversible)	
43	093320	835R28100	Ass cerniera sup pv	Upper hinge GL	
44	093517	546R23100	Boccola per cerniera PV	Hinge bush GL	
45	093303	880R60700	Ass. porta lampada completo	Light support assembly	f,g,h,i,s Up to 2471...
45	094484	835R26801	Ass. porta lampada completo	Light support assembly	f,g,h,i,s,x,z,a1 From 2481...
46	093350	661R01000	Lampada 28W	Neon 28W	
47	093258	546R22600	Frontale lampada	Protection light	
48	093351	501R49500	Tappo chiusura luce	Plug of clousure	
49	093352	546R23200	Ferma cavo	Wiring stopper	
50	093321	501R50200	Fermo lampada	Stopper light	
51		502R24300	Supporto impianto elettrico	Electrical wiring support	Glass door always
51		502R24300	Supporto impianto elettrico	Electrical wiring support	Full door up to 2021/37
51	097284	546R43401	Supporto impianto elettrico	Electrical wiring support	Full door from 2021/38
52	093207	684R05200	Compressore (EMT6160Z) 220/50 hz	Compressor (EMT6160Z) 220/50hz	
52	093232	684R06600	Compressore (EM65HHR) 220/50hz	Compressor (EM65HHR) 220/50hz	w,x,y,z,b1,c1 Up to 2021/37
52	093457	684R07200	Compressore (NEK6160Z) 220/50-60 Hz	Compressor (NEK6160Z) 220/50-60 Hz	w,x,y,z,b1,c1 From 2021/38
52a	*	*	Relè avviamento	Start relay (EMT6160Z)	
52b	*	*	Protettore	Protector (EMT6160Z)	
52c	*	*	Condensatore di avviamento	Start capacitor (EMT6160Z)	
53	087722	518708401	Gommino per compressore	Rubber compressor	
54	093346	830R06500	Condensatore	Condenser	a,b,c,d,e,f,g,h, i,m,n,o,p,r,s,t, w,x,y,z,b1,c1
54A	092360	646R09400	Sonda condensatore	Probe condenser	Not for b1
55	089697	511708800	Ventola 230-31 (elco)	Ventola 230-31(elco)	
55	093784	511R01300	Ventola 230-31 (ebm)	Ventola 230-31 (ebm)	d,p
55a	089755	546709500	Protezione ventola	Fan protection	
56	093602	546R24200	Supporto motore condensatore	Fan condenser support	

Pos	Spare parts code	Factory code	Descrizione	Description	Ref - Note
57	093259	515R12700	Serpentina evap. acqua di condensa	Evaporation water pipe	a,b,c,d,e,f,g, h,i,m,n,o,p,r,s. t,w,x,y,z,b1,c1
58	093360	543R09300	Fissaggio serpentina	Stopper pipe	
59	096995	682R14200	Ventilatore condensatore (elco)	Condenser ventilator (elco)	a,b,c,d,e,f,g, h,i,m,n,o,p,r,s, t,w,x,y,z,b1,c1
59	093366	682R05900	Ventilatore condensatore (ebm)	Condenser ventiator (ebm)	d,p up to 5051...
59	094477	682R08600	Ventilatore condensatore (ebm)	Condenser ventiator (ebm)	d,o,p,r from 5061...
59a	097055	635R37900	Cablaggio ventilatore	Fan wiring	From 2021/38 Up to 2022/11
59a	097055	635R37900	Cablaggio ventilatore	Fan wiring	From 2023/50
60	093393	858R06200	Scambiatore	Heat exchanger	a,b,c,d,e,f, g,h,i,m,n,o,p,r, s,t,w,x,y,z
60		858R09102	Scambiatore	Heat exchanger	b1,c1
61	099949	858R00100	Filtro	Dehidrator filter	a,b,c,d,e,f,g h,i,m,n,o,p,r,s, t,w,x,y,z,b1,c1
62	0A8171	A02021800	Valvola per compressore	Compressor valve (charge or disch.)	a,b,c,d,e,f,g h,i,m,n,o,p,r,s, t,w,x,y,z,b1,c1
63	093323	830R03901	Evaporatore 2R 8T	Evaporator 2R 8T	a,b,c,d,e,f,g h,i,m,n,o,p,r,s, t,w,x,y,z,b1,c1
63	0TTX87	830R07500	Evaporatore 3R BRINE SYSTEM	Evaporator 3R BRINE SYSTEM	v,a1
64	093469	546R19201	Vaschetta evaporatore	Evaporator tray	
65	093367	682R05800	Ventilatore evaporatore (ebm)	Evaporator fan (ebm)	Up to 2021/37
65	096231	682R12600	Ventilatore evaporatore (ebm)	Evaporator fan (ebm)	From 2021/38 Up to 2022/11
65	096231	682R12600	Ventilatore evaporatore (ebm)	Evaporator fan (ebm)	From 2023/50
65a	093783	511R01200	Ventola 200X28	Fan 200X28	Up to 2022/11
65a	093783	511R01200	Ventola 200X28	Fan 200X28	From 2023/50
65a	084920	511705100	Ventola 200-25	Fan 200	v
65b	097000	682R02C00	Ventilatore evaporatore (FIME)	Evaporator fan (FIME)	From 2022/12 Up to 2023/49
66	089770	546709600	Griglia evap. P200	Fan protection	Up to 2022/11
66	089770	546709600	Griglia evap. P200	Fan protection	From 2023/50
66a	093326	502R52400	Staffa ventilatore	Fan support	From 2022/12 Up to 2023/49
67	092174	646R06800	Sonda cella	Cell probe	
67	092173	646R06800	Sonda cella	Cell probe	v,a1
68	093327	617R06100	Resistenza con termostato. 2R	Heating element with thermostat 2R	a,b,c,d,e,i,m,n, o,p,r,w,y,b1,c1 Up to 2021/37
68	097286	617R25400	Resistenza con termostato. 2R	Heating element with thermostat 2R	a,b,c,d,e,i,m,n, o,p,r,w,y,b1,c1 From 2021/38
69	093487	514R11601	Molla per fissaggio termostati	Thermostat spring	a,b,c,d,e,i, m,n,o,p,r, w,y,b1,c1
70	093368	514R10800	Molla per fissaggio resistenza 2R	Heating element spring 2R	a,b,c,d,e,i, m,n,o,p,r, w,y,b1,c1

Pos	Spare parts code	Factory code	Descrizione	Description	Ref - Note
70a	093353	514R12000	Molla per fissaggio resistenza 83,5	Heating element spring 83,5	a,b,c,d,e,l, m,n,o,p,r, w,y,b1,c1
72	093370	501R43902	Convogliatore evaporatore P.200	Evaporator conveyer A304	Up to 2022/11
72	093370	501R43902	Convogliatore evaporatore P.200	Evaporator conveyer A304	From 2023/50
72	093294	501R44003	Convogliatore evaporatore P.200	Evaporator conveyer A304	From 2022/12 Up to 2023/49
73	093528	639R09900	Morsettiera	Clamp	
74	093261	835R24101	Assieme Calotta	Evaporator cover	From 6181
74	095201	835R47601	Assieme Calotta	Evaporator cover	From 6191
*	095200	0881R32401	Modulo Calotta TN	Evaporator cover Module TN	a,b,c,d,e,f, g,i,m,n,o, p,r,s,w,x, y,z,b1,c1
*	095202	0546R34400	Staffa per calotta schiumata	Support for foamed Evaporator	
75	093262	14701R003	Neoprene espanso 8x13,3 nero M4	Gasket cover (neoprene 8x13,3)	
76	093245	217555204	Vite senza punta x plastica	Cover screw	
76a	*	546R23900	Rondella in teflon	Bush	v
77	093263	546R19702	Tamponcino per tubi	Pipe cover insulation	
77	093614	546R25800	Tamponcino per tubi calotta remoto	Pipe cover insulation for evap.	v,a1
78	094425	546R26501	Copertura scatola impianto elettrico	Wiring box cover	Glass door
78	094425	546R26501	Copertura scatola impianto elettrico	Wiring box cover	b1
78	094425	546R26501	Copertura scatola impianto elettrico	Wiring box cover	Full door up to 2021/37
78a	093976	546R26701	Scatola impianto elettrico	Wiring box	Glass door
78a	093976	546R26701	Scatola impianto elettrico	Wiring box	b1
78a	093976	546R26701	Scatola impianto elettrico	Wiring box	Full door up to 2021/37
79	096636	694R00502	Filtro antisturbo	Electrical filter	
80	094451	546R26800	Basamento gruppo	Basement	
81	093371	646R10900	Sonda ambiente	Ambient probe	Not for b1
		880R93505	Group remote brine system page 6	See page 6	
82		502R24300	Supporto impianto elettrico	Electrical wiring support	Glass door always
82		502R24300	Supporto impianto elettrico	Electrical wiring support	Full door up to 2021/37
82	097284	546R43401	Supporto impianto elettrico	Electrical wiring support	Full door from 2021/38
83	093607	501R63701	Sgocciolatoio	Drainer	t,v,a1
84	093605	617R07901	Resistenza evaporazione 100W	Water evaporation heating element	t,v,a1 Up to 2021/37
84	097289	617R26100	Resistenza evaporazione 100W	Water evaporation heating element	t,v,a1 From 2021/38
85	093606	501R63601	Bacinella evaporazione	Water condensation basin	t,v,a1
86	093604	514R13101	Griglia protezione resistenza	Protection grid	t,v,a1
87	087333	646740901	Valvola termostatica -40 / +10	Thermostatic Valve -40 / +10	t,v,a1
87a	089614	565717600	Isolante per valvola	Valve insulation	t,v,a1
88	090229	525719000	Filtro meccanico a rete	Filter	t,v,a1
89	093435	646R10501	Valvola solenoide	Solenoid valve	Up to 4151...
89	094435	646R10502	Valvola solenoide	Solenoid valve	From 4161...
*	091601	546R07500	Gabbietta per bulbo in aria	Cage for	v

Updated on 10-2016

Pos	Spare parts code	Factory code	Descrizione	Description	Ref - Note
*	094663	0543400200	Passacavo nero diam.est.14,int. 12	Cable gland black, ext.14, intern.12	v,a1
			Illustration on page 7	See page 7	
99	093591	880R51906	Cruscotto senza mascherina A304	Panel without template A304	a,b,c,d,e,l,m,n,o,p,r,w,y,c1 up to 2021/37
99		883R21702	Crusc. senza mascherina A304	Panel without template A304	a,b from 2021/38
99		883R30801	Crusc. senza mascherina A304 UK TN	Panel without template A304 UK TN	w,y from 2021/38
99	093584	880R61105	Cruscotto senza masch. aisi 304 PV	Panel without template aisi 304 PV	f,g,h,i,s,t,,x,z up to 2021/37
99	*	880R61107	Crus.compl. senza mascherina A304	Panel complete without template A304	v,a1 up to 2021/37
99		883R04202	Crusc. senza mascherina A304 porta vetro TN/BT	Panel without template A304 glass door TN/BT	f,g,h,i,s,t,x,z,a1 from 2021/38
99		880R88502	Crusc. senza mascherina A304	Panel without template A304	b1
99		883R04900	Crusc. senza mascherina A304 porta vetro remoto	Panel without template A304 glass door remote	t from 2021/38
100	093525	509R13404	Cruscotto comandi	Panel 304 AISI	
100	094455	850R15702	Cruscotto comandi	Panel 304 AISI	b1
100		509R25001	Cruscotto comandi	Panel 304 AISI	
102	093609	832R10100	Cerniera per cruscotto dx	Hinge for panel right	
102a	093610	832R10200	Cerniera per cruscotto sx	Hinge for panel left	
103	093345	833R20900	Serratura	Latch	
104	093380	855R10801	Ass.masch. porta/cruscotto Elux	Complete template door + panel	a,e,d,l,o,y
104	093381	855R10900	Ass.masch. porta/cruscotto Zan	Complete template door + panel	b,m,w
104	093382	855R11000	Ass.masch. porta/cruscotto Apx	Complete template door + panel	c,n,p,r,c1
104	093383	855R11101	Ass.masch.a porta/cruscotto pv E	Complete template door + panel	f,i,v,z,a1
104	093384	855R11200	Ass.masch. porta/cruscotto pv Z	Complete template door + panel	g,x
104	093385	855R11300	Ass.masch. porta/cruscotto pv A	Complete template door + panel	h,s,t
105	093437	646R10601	Termoregolatore ir33 premium pc	Thermoregulator premium	To be set
106	094389	501R37403	Protezione	Protection led-lamp	Up to 2021/43
106	097245	504R35000	Protezione	Protection	From 2021/44
107	093386	546R19501	Supporto scheda led	Support led-lamp	
108	093387	546R19600	Protezione scheda led	Protection led-lamp	
109	093810	855R12700	Ass. scheda led+supp. plastica	Led-lamp board GL + Support	
110	093390	569R05900	Guarnizione per scheda led	Ledlamp board gasket	
111	093269	541R05401	Tappo per cerniera porta	Door hinge plug	
112	093391	639R10400	Morsetto	Clamp	
113	*	855R09900	Ass. mascherina cruscotto elux	Assembled template panel elux	a,e,d,o,y
113	*	855R10000	Ass. mascherina cruscotto zan	Assembled template panel zan	b,m,w
113	*	855R10100	Ass. mascherina cruscotto apx	Assembled template panel apx	c,n,p,r,c1
113	*	855R10200	Ass. mascherina cruscotto pv e	Assembled template panel gl e	f,i,z,a1
113	*	855R10300	Ass. mascherina cruscotto pv Z	Assembled template panel gl Z	g,x
113	*	855R10400	Ass. mascherina cruscotto pv A	Assembled template panel gl A	h,s,t
114	*	546R20000	Cornice mascherina cruscotto elux	Template frame for panel elux	a,e,f,d,i,o,y,z,a1
114	*	546R20100	Cornice mascherina cruscotto zan	Template frame for panel zan	b,c,g,h,m,n,p,r,s,t,w,x,c1

Pos	Spare parts code	Factory code	Descrizione	Description	Ref - Note
115	*	855R10500	Ass. mascherina porta elux	Assembled template door elux	a,e,f,d,i,o, y,z,a1
115	*	855R10600	Ass. mascherina porta zan	Assembled template door zan	b,g,m,w,x
115	*	855R10700	Ass. mascherina porta apx	Assembled template door apx	c,h,n,p,r,s,t,c1
116	*	546R20200	Cornice mascherina porta elux	Control door frame elux	a,e,f,d,i,o, y,z,a1
116	*	546R20300	Cornice mascherina porta zan	Control door frame zan	b,c,g,h,m,n, p,r,s,t,w,x,c1
*	093491	217541085	Vite per fissaggio masch. M3x8	Screws for control door/panel M3X8	
117	*	639R06800	Connettore dritto 3 vie	Connector 3 ways right	
117	*	639R06900	Connettore dritto 7 vie	Connector 7 ways right	
117	099740	*	Connettore 90° 7 vie	Connector 7 ways 90°	
117	099741	*	Connettore 90° 5 vie	Connector 5 ways 90°	
117	088998	*	Connettore 90° 3 vie	Connector 3 ways 90°	
117	099743	*	Connettore 90° 3 vie piccolo	Connector 3 ways 90° small	
117	099742	*	Connettore 90° 2 vie	Connector 2 ways 90°	
117	091682	*	Connettore 90° 4 vie	Connector 4 ways 90°	
117	091684	*	Connettore 90° 5 vie	Connector 5 ways 90°	
*	093180	639R09600	Convertitore spina UK	UK plug converter	d,i,o,p,r,s
118	093270	624R01400	Alimentatore	Light power	f,g,h,i,t,z,x,a1

Finanzen / Service
28307 Bremen
Thalendorststraße 15
Tel.+49 421 48557-0
Fax+49 421 488650
bremen@nordcap.de

Vertrieb Ost
12681 Berlin
Wolfener Straße 32/34, Haus K
Tel.+49 30 936684-0
Fax+49 30 936684-44
berlin@nordcap.de

Vertrieb West
40699 Erkrath
Max-Planck-Straße 30
Tel.+49 211 540054-0
Fax+49 211 540054-54
erkraht@nordcap.de

Vertrieb Nord
21079 Hamburg
Großmoorbogen 5
Tel.+49 40 766183-0
Fax+49 40 770799
hamburg@nordcap.de

Vertrieb Süd
55218 Ingelheim
Hermann-Bopp-Straße 4
Tel.+49 6132 7101-0
Fax+49 6132 7101-20
ingelheim@nordcap.de



www.nordcap.de