

Ersatzteilliste-Explosionszeichnung

Elektro-Bratplatte **EBP7 / V1HUO**

[Artikel-Nr.: 406372195]



FRY TOP ELETTRICO + BASE E700XP ELECTRIC FRYTOP + BASE E700XP

PNC	Model	Ref	Brand	Notes
372188	Z7FTEDSSQ0	a	Zan	EL. FRY TOP-SMOOTH PLATE+OPEN BASE 400MM
372189	Z7FTEDSRQ0	b	Zan	EL. FRY TOP-RIBBED PLATE+OPEN BASE 400MM
372190	Z7FTEDSRQ0	c	Zan	EL. FRY TOP-SMOOTH PLATE+OPEN BASE 800MM
372191	Z7FTEHSPQ0	d	Zan	EL. FRY TOP-SMOOTH+RIBB.PLATE+BASE800MM
372195	Z7FTEDCSQ0	e	Zan	EL. FRY TOP-SMOOTH CHR.PLATE+BASE 400MM
372196	Z7FTEHCSQ0	f	Zan	EL. FRY TOP-SMOOTH CHR.PLATE+BASE 800MM

Index

General components / Componenti struttura
Spare parts list / Lista ricambi

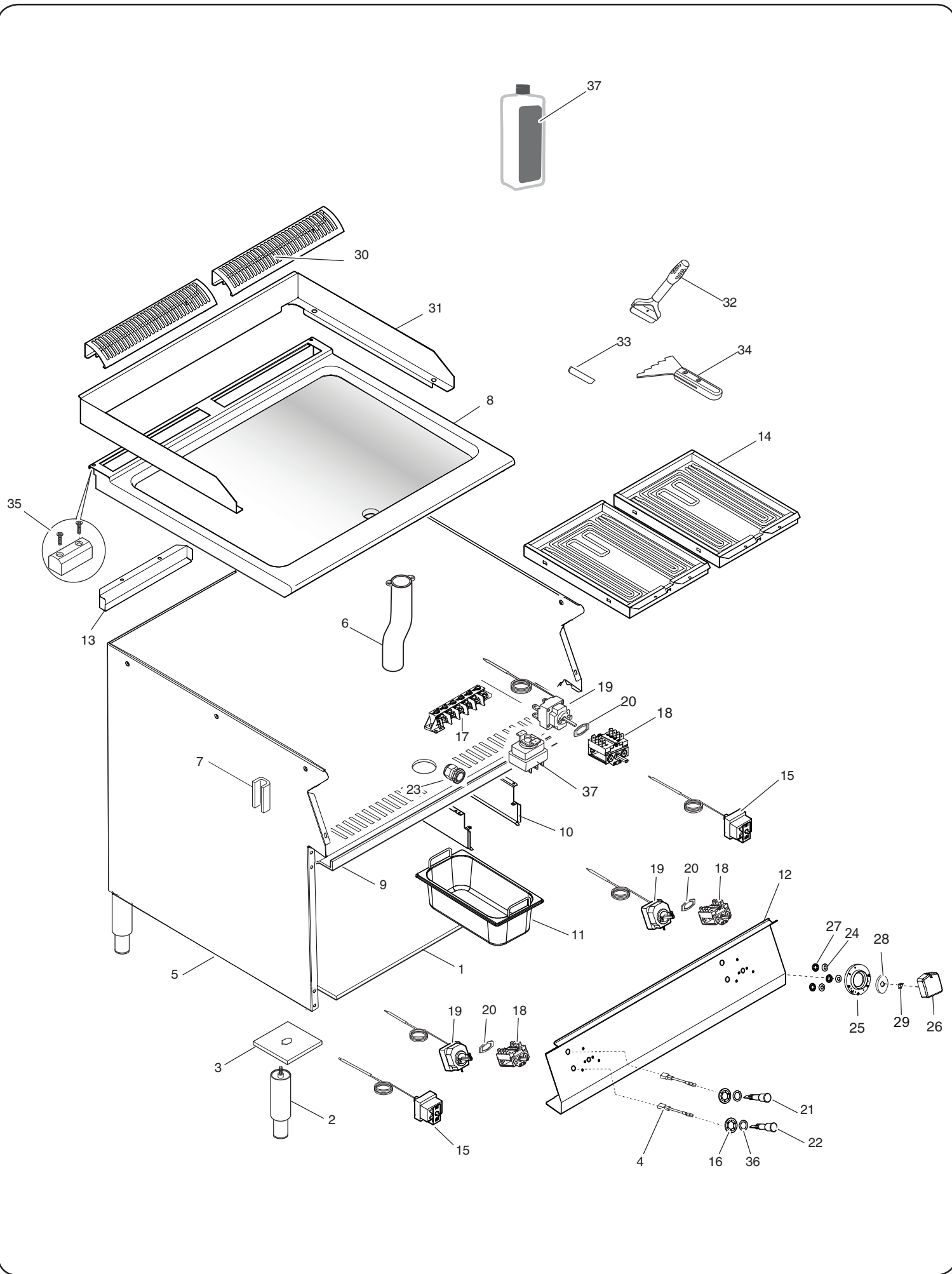
Page

2
3

Bold=last change / Grassetto =ultima modifica

Rev. 3

From Ser. Nr. 218 Up to Ser. Nr.	Ed. 2015-06 Updated 2019-11	Page: 1	Doc No:59785Q400
-------------------------------------	--------------------------------	---------	-------------------------



FRY TOP ELETTRICO + BASE E700XP
ELECTRIC FRYTOP + BASE E700XP

Pos	Factory Code	Spare Code	Descrizione	Description	Ref./Notes
1	532824600	*	FONDO 400 mm	BOTTOM PANEL 400 mm	400 mm
1	532824700	*	FONDO 800 mm	BOTTOM PANEL 800 mm	800 mm
2	835856901	0C0204	PIEDE CON VITE	FOOT WITH SCREW	
3	508898900	0C0122	RINFORZO PIEDE	REINFORCEMENT FOOT	
4	638865101	005370	RESISTENZA DI CADUTA	DROPPING RESISTOR	
5	85089FH01	0CB087	RIVESTIMENTO LATERALE 400 mm	EXTERNAL PANEL 400 mm	400 mm
5	85089FJ01	0CA950	RIVESTIMENTO LATERALE 800 mm	EXTERNAL PANEL 800 mm	800 mm
6	806873801	0C6238	TUBO DI SCARICO	DRAIN PIPE	
7	527850500	0C0156	PIASTRA FISSAGGIO FIANCHI	SIDE PANEL JOINTING PLATE	
8	87589D302	0C8605	RIPIANO 400 mm FE-LISC.	TOP 400 mm FE-SMOOTH	a
8	87589D402	0C8606	RIPIANO 400 mm FE-RIG.	TOP 400 mm FE-RIBBED	b
8	87589D902	0C8611	RIPIANO 800 mm FE-LISC.	TOP 800 mm FE-SMOOTH	c
8	87589DA02	0C8612	RIPIANO 800 mm FE-RIG.	TOP 800 mm FE-RIBBED	d
8	87589DH03	0C8617	RIPIANO 400 mm CR	TOP 400 mm CHROME	e
8	87589DK03	0C8619	RIPIANO 800 mm CR	TOP 800 mm CHROME	f
9	533886201	*	CIELO VANO	CEILING PANEL	400 mm
9	533886401	*	CIELO VANO	CEILING PANEL	800 mm
10	530884601	0C5188	GUIDA PER BACINELLA	BUCKET GUIDE	
11	502888501	004612	BACINELLA RACCOLTA	DISCHARGE BUCKET	
12	87089JW02	0C8251	CRUSCOTTO 400 mm	CONTROL PANEL 400 mm	400 mm
12	87089KH02	0C8256	CRUSCOTTO 800 mm	CONTROL PANEL 800 mm	800 mm
13	50489MB01	0C8479	FERMO RESISTENZA	HEATING ELEMENT STOPPER	
14	617839H00	0C8476	RESISTENZA 4200W	HEATING ELEMENT 4200W	
15	646812100	006826	LIMITATORE TEMPERATURA	SAFETY THERMOSTAT	Chrome plate
16	0527815500	0C2184	MOLLETTA FISS. LAMPADA	FIXING SPRING FOR LAMP	
17	A05714000	058613	MORSETTIERA DI ALIMENTAZIONE	MAIN TERMINAL BLOCK	
18	A05400901	0A2134	INTERRUTTORE	SWITCH	
19	646809500	004363	TERMOSTATO	THERMOSTAT	Mild steel plate
19	646817400	0C6234	TERMOSTATO	THERMOSTAT	Chrome plate
20	A05414500	0A2205	STAFFA UNIONE	FASTENING PLATE	
21	876800002	005010	LAMPADA VERDE	GREEN LAMP	
22	876800102	005011	LAMPADA ARANCIO	ORANGE LAMP	
23	544802300	0C0068	PRESSACAVO	TIGHTNER, CORD	
24	541813800	0C6171	RONDELLA SILICONE	SILICONE WASHER	
25	548879Z00	0C7430	GHIERA	KNOB RING	
26	548878201	0C7232	MANOPOLA	KNOB	
27	218912211	069567	MOLLETTA PER GHIERA	SPRING, KNOB RING	
28	543821000	053816	GUARNIZIONE MANOPOLA	GASKET, KNOB	
29	214590701	025245	MOLLETTA PER MANOPOLA	SPRING, KNOB	
30	50389LP00	0C7333	GRIGLIA CAMINO	CHIMNEY GRID	
31	532806904	0C2964	PARASPRUZZI 400 mm	SPLASHBACK 400 mm	400 mm
31	532807104	0C2965	PARASPRUZZI 800 mm	SPLASHBACK 800 mm	800 mm
32	0805848203	055995	RASCHIETTO PER PIASTRA LISCIA	SCRAPER FOR SMOOTH PLATE	
33	0506887401	056347	LAMA PER RASCHIETTO	BLADE FOR SCRAPER	
34	0830851300	056940	RASCHIETTO PER PIASTRA RIGATA	SCRAPER FOR RIBBED PLATE	
35	0516860702	0C0137	PIASTRINA GIUNZIONE	JOINTING REAR PLATE	
36	0543826400	0C2183	OR LAMPADA	OR LAMP	
37	*	0S2292	DETERGENTE C41, RESIDUI BRUCIATI	DETERGENT C41, FOR BURNT SCRAPPINGS	6 BOTT PER PACK
37	*	0S1841	DETERGENTE C40, RESIDUI CARBONIOSI	DETERGENT C40, FOR CARBONIZED SCRAPPINGS	6 BOTT PER PACK

Finanzen/Service

28307 Bremen
Thalendorststraße 15
Tel.+49 421 48557-0
Fax+49 421 488650
bremen@nordcap.de

Vertrieb Ost

12681 Berlin
Wolfener Straße 32/34, HausK
Tel.+49 30 936684-0
Fax+49 30 936684-44
berlin@nordcap.de

Vertrieb West

40699 Erkrath
Max-Planck-Straße 30
Tel.+49 211 540054-0
Fax+49 211 540054-54
erkrath@nordcap.de

Vertrieb Nord

21079 Hamburg
Großmoorbogen 5
Tel.+49 40 766183-0
Fax+49 40 770799
hamburg@nordcap.de

Vertrieb Süd

55218 Ingelheim
Hermann-Bopp-Straße 4
Tel.+49 6132 7101-0
Fax+49 6132 7101-20
ingelheim@nordcap.de



www.nordcap.de