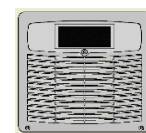
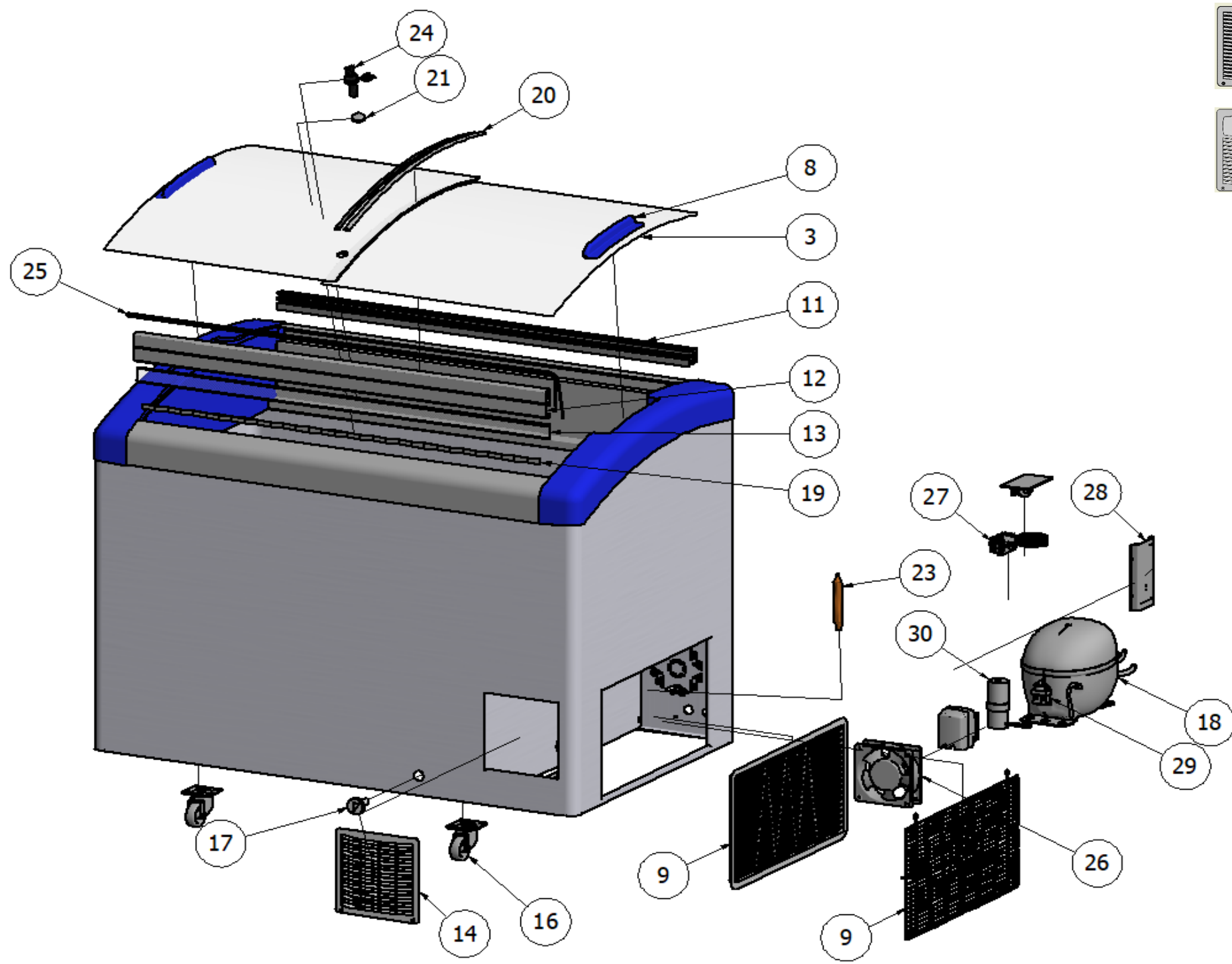


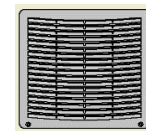
Ersatzteilliste-Explosionszeichnung

Kühl- / Tiefkühl-Impulstruhe Serie **FOCUS LED**

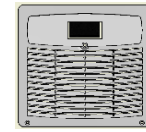




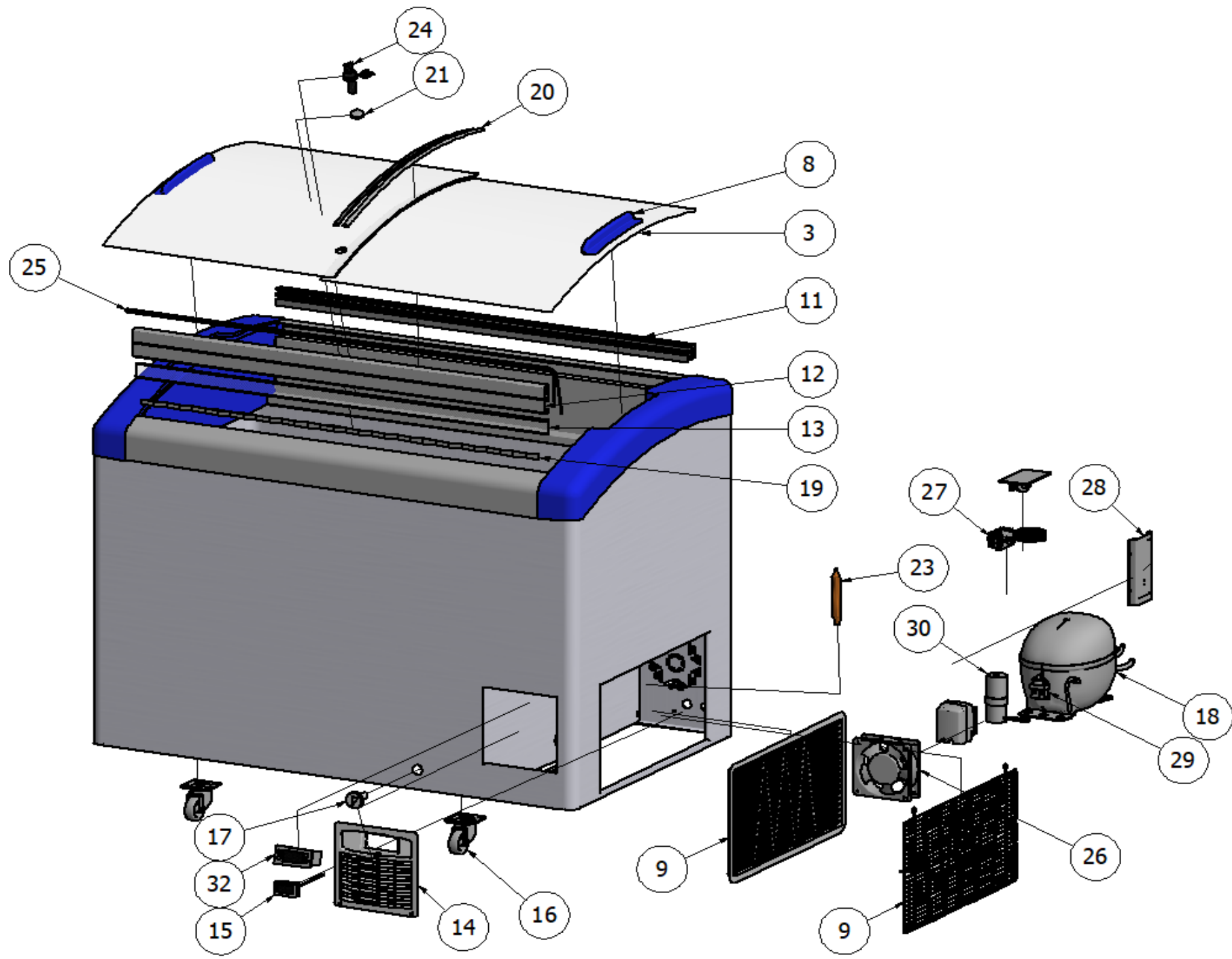
PLASTMFP13
w. DIXELL



PLASTMFP14



PLASTMFP15
w. Thermometer



ITEM NO.	DESCRIPTION	FOCUS 73		FOCUS 106		FOCUS 131		FOCUS 151		FOCUS 171	
		CODE		CODE		CODE		CODE		CODE	

SLIDING GLASS LID

3	COMPLETE SET OF GLASS LIDS (RED)	82GLASF073-S1		82GLASF106-S1		82GLASF131-S1		82GLASF151-S1		82GLASF171-S1	
3	COMPLETE SET OF GLASS LIDS (BLUE)	82GLASF073-S2		82GLASF106-S2		82GLASF131-S2		82GLASF151-S2		82GLASF171-S2	
3	COMPLETE SET OF GLASS LIDS (GREY)	82GLASF073-S3		82GLASF106-S3		82GLASF131-S3		82GLASF151-S3		82GLASF171-S3	
8	HANDLE, SELF ADHESIVE (RED)	HÄND1		HÄND1		HÄND1		HÄND1		HÄND1	
8	HANDLE, SELF ADHESIVE (BLUE)	HÄND2		HÄND2		HÄND2		HÄND2		HÄND2	
8	HANDLE, SELF ADHESIVE (GREY)	HÄND3		HÄND3		HÄND3		HÄND3		HÄND3	
20	PILE WEATHER STRIPS (2 PCS)	GLASTAETNING1		GLASTAETNING1		GLASTAETNING1		GLASTAETNING1		GLASTAETNING1	
12	PLASTIC TRACK IN FRONT	82FORK10		82FORK11		82FORK12		82FORK13		82FORK14	
11	PLASTIC TRACK IN BACK	82BAGK5		82BAGK6		82BAGK7		82BAGK8		82BAGK9	
25	HEATING CABLE FRONT TRACK 230V	VK2CCIS22		VK2CCIS35		VK2CCIS45		VK2CX53		VK2CCS35	
25	HEATING CABLE FRONT TRACK 115V	VK1CCIS22		VK1CCIS35		VK1CCIS45		VK1CX53		VK1CX61	
21	LOCK HOLDER IN UPPER GLASS	PLASTD33		PLASTD33		PLASTD33		PLASTD33		PLASTD33	
24	LOCK KIT COMPLETE	8100.0303		8100.0303		8100.0303		8100.0303		8100.0303	

INTERNAL LIGHT

19,28	COMPLETE INTERNAL LIGHT 115/230V	8100.0610		8100.0611		8100.0612		8100.0613		8100.0614	
19	LED LIGHTS	LED16		LED17		LED18		LED19		LED20	
28	POWER SUPPLY 115V/60HZ + 230V/50HZ	PSU3		PSU3		PSU3		PSU3		PSU3	
13	CLEAR LIGHT COVER	9100.0625		9100.0626		9100.0627		9100.0628		9100.0629	

MOTOR COMPARTMENT

18	COMPRESSOR 230V 50HZ CC.3/4 R134A/R404A	NL8.4FT		NL8.4FT		NL10FT-50		NEU2140GK2		NEU2140GK2	
29	STARTING RELAY	103N0016		103N0016		103N0016					
30	START CAPACITOR	----		----		----					

ITEM NO.	DESCRIPTION	FOCUS 73		FOCUS 106		FOCUS 131		FOCUS 151		FOCUS 171	
		CODE		CODE		CODE		CODE		CODE	

MOTOR COMPARTMENT

18	COMPRESSOR 230V 50/60HZ R134A CC4/4+	NL8.4FT		NL8.4FT		NL10FT-50					
29	STARTING RELAY	117U6001		117U6001		117U6002					
30	START CAPACITOR	117U5015		117U5015		117U5015					
18	COMPRESSOR 230V 50HZ R404A CC.4+/5	----		NL8.4CLX		NEU2140GK2		NEU2140GK2		NEU2140GK2	
29	STARTING RELAY	----		117U6003		117U6019		117U6019		117U6019	
30	START CAPACITOR	----		117U5015		117U5017		117U5017		117U5017	

OTHER

17	STOPPER FOR OUTSIDE DRAIN	E1HU		E1HU		E1HU		E1HU		E1HU	
15	DIGITAL THERMOMETER	FTERMOMETB2		FTERMOMETB2		FTERMOMETB2		FTERMOMETB2		FTERMOMETB2	
27	THERMOSTAT R134A/ R600A	TERMOSTAT13		TERMOSTAT13		TERMOSTAT13		TERMOSTAT13		TERMOSTAT13	
27	THERMOSTAT R404A/ R290	TERMOSTAT11		TERMOSTAT11		TERMOSTAT11		TERMOSTAT11		TERMOSTAT11	
9	GRILL FOR ENGINE ROOM - PLASTIC	SP1417		SP1417		SP1417		SP1417		SP1417	
9	GRILL FOR ENGINE ROOM - METAL	MHUSRIST		MHUSRIST		MHUSRIST		MHUSRIST		MHUSRIST	
23	FILTER DRYER	FILTER6XH9		FILTER6XH9		FILTER6XH9		FILTER6XH9		FILTER6XH9	
16	CASTORS 4 PCS KIT	8100.0200		8100.0200		8100.0200		8100.0200		8100.0200	
16	CASTORS 2 PCS WITH/2 PCS W/O BRAKE	8100.0202		8100.0202		8100.0202		8100.0202		8100.0202	
26	FAN 230V	BLAES230HBT		BLAES230HBT		BLAES230HBT		BLAES230HBT		BLAES230HBT	
26	FAN 115V	BLAES115HBT		BLAES115HBT		BLAES115HBT		BLAES115HBT		BLAES115HBT	
14	FRONT VENTILATION GRILL	PLASTMFP13,14,15		PLASTMFP13,14,15		PLASTMFP13,14,15		PLASTMFP13,14,15		PLASTMFP13,14,15	

MOTOR COMPARTMENT

18	COMPRESSOR 230V/50HZ - R290 CC.4	EMT2117U		EMT2121U		NEU2140U		NEU2140U		NEU2140U	
29	STARTING RELAY	-		-		NEU2140URE		NEU2140URE		NEU2140URE	
30	START CAPACITOR	-		-		NEU2140USK		NEU2140USK		NEU2140USK	
18	COMPRESSOR 230V/50HZ - R290 CC.4+	EMT2117U		EMT2121U		NEU2140U		NEU2140U		NEU2140U	
29	STARTING RELAY	-		-		NEU2140URE		NEU2140URE		NEU2140URE	
30	START CAPACITOR	-		-		NEU2140USK		NEU2140USK		NEU2140USK	
18	COMPRESSOR 230V/50HZ - R290 CC.5	EMT2117U		EMT2121U		NEU2140U		NEU2155U		NEU2155U	
29	STARTING RELAY	-		-		NEU2140URE		NEU2155URE		NEU2155URE	
30	START CAPACITOR	-		-		NEU2140USK		NEU2155USK		NEU2155USK	
18	COMPRESSOR 230V/50Hz - R600a CC.4	EMY80CLP		EMY80CLP		NLE15KK.4					
29	STARTING RELAY	EMY80CLPRE		EMY80CLPRE		103N0016					
30	START CAPACITOR	-		-		-					
18	COMPRESSOR 230V/50Hz - R600a CC.7	EMY80CLP		EMY80CLP							
29	STARTING RELAY	EMY80CLPRE		EMY80CLPRE							
30	START CAPACITOR	-		-							

115 volt 60 Hz

UL SPEC.

ITEM NO.	DESCRIPTION	FOCUS 73		FOCUS 106		FOCUS 131		FOCUS 151		FOCUS 171	
		CODE		CODE		CODE		CODE		CODE	
32	ELECTRONIC THERMOSTATE 115V INCL.SENSOR	DIXELL30CH1		DIXELL30CH1		DIXELL30CH1		DIXELL30CH1		DIXELL30CH1	
27	MECHANICAL THERMOSTATE R290	TERMOSTAT11		TERMOSTAT11		TERMOSTAT11		TERMOSTAT11		TERMOSTAT11	
26	FAN 115V	BLAES115HBT		BLAES115HBT		BLAES115HBT		BLAES115HBT		BLAES115HBT	
18	COMPRESSOR 120V 60HZ, R290	EMI70UER		EMI90UEX		NEU2140U1		NEU2140U1		NEU2140U1	
	MULTIPLUG WITH CABLE	TSKU0102		TSKU0102		TSKU0102		TSKU0102		TSKU0102	
29	STARTING RELAY					NEU2140U1RE		NEU2140U1RE		NEU2140U1RE	
30	STARTING CAPACITOR					NEU2140U1SK		NEU2140U1SK		NEU2140U1SK	
	MOTOR PROTECTOR/ KLIXON					NEU2140U1KL		NEU2140U1KL		NEU2140U1KL	

Finanzen/Service
28307 Bremen
Thalendorststraße 15
Tel.+49 421 48557-0
Fax+49 421 488650
bremen@nordcap.de

Vertrieb Ost
12681 Berlin
Wolfener Straße 32/34, Haus K
Tel.+49 30 936684-0
Fax+49 30 936684-44
berlin@nordcap.de

Vertrieb West
40699 Erkrath
Max-Planck-Straße 30
Tel.+49 211 540054-0
Fax+49 211 540054-54
erkrath@nordcap.de

Vertrieb Nord
21079 Hamburg
Großmoorbogen 5
Tel.+49 40 766183-0
Fax+49 40 770799
hamburg@nordcap.de

Vertrieb Süd
55218 Ingelheim
Hermann-Bopp-Straße 4
Tel.+49 6132 7101-0
Fax+49 6132 7101-20
ingelheim@nordcap.de



www.nordcap.de