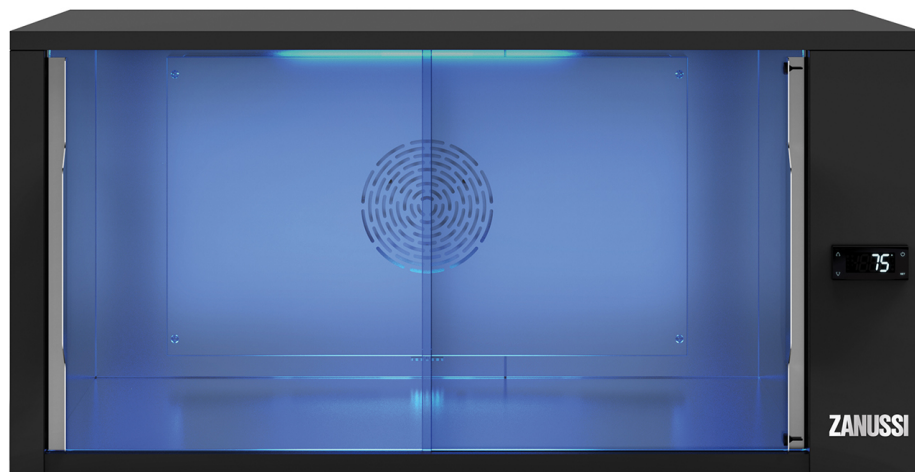


Ersatzteilliste-Explosionszeichnung

Warmhaltevitrine **SAFEBOX SG**

[Art. 435700400]



SAFE BOX

PNC	Model	Ref	Brand	Notes
240025	SBXES5C	A	EPR	SLIDING DOOR 220-240V 1N 50Hz 590W EU SHUKO
240027	SBXED5CS	J	EPR	DROP DOOR 220-240V 1N 50Hz 590W SHUKO
240038	SBXES5G	B	EPR	SLIDING DOOR 220-240V 1N 50Hz 590W UK
240039	SBXES5N	H	EPR	SLIDING DOOR 220-240V 1N 50Hz 590W W/O PLUG
240040	SBXZS5C	C	ZAN	SLIDING DOOR 220-240V 1N 50Hz 590W EU SHUKO
240041	SBXZD5CS	K	ZAN	DROP DOOR 220-240V 1N 50Hz 590W SHUKO
240042	SBXED5GS	L	EPR	DROP DOOR 220-240V 1N 50Hz 590W UK
240425	SBXES5CS	D	EPR	SLIDING DOOR 220-240V 1N 50Hz 590W SHUKO
240428	SBXES5GS	E	EPR	SLIDING DOOR 220-240V 1N 50Hz 590W UK
240429	SBXES5NS	G	EPR	SLIDING DOOR 220-240V 1N 50Hz 590W ROW W/O PLUG
240440	SBXZS5CS	F	ZAN	SLIDING DOOR 220-240V 1N 50Hz 590W SHUKO

Index

General components / Componenti struttura
 Spare parts list / Lista ricambi

Page

2
 3

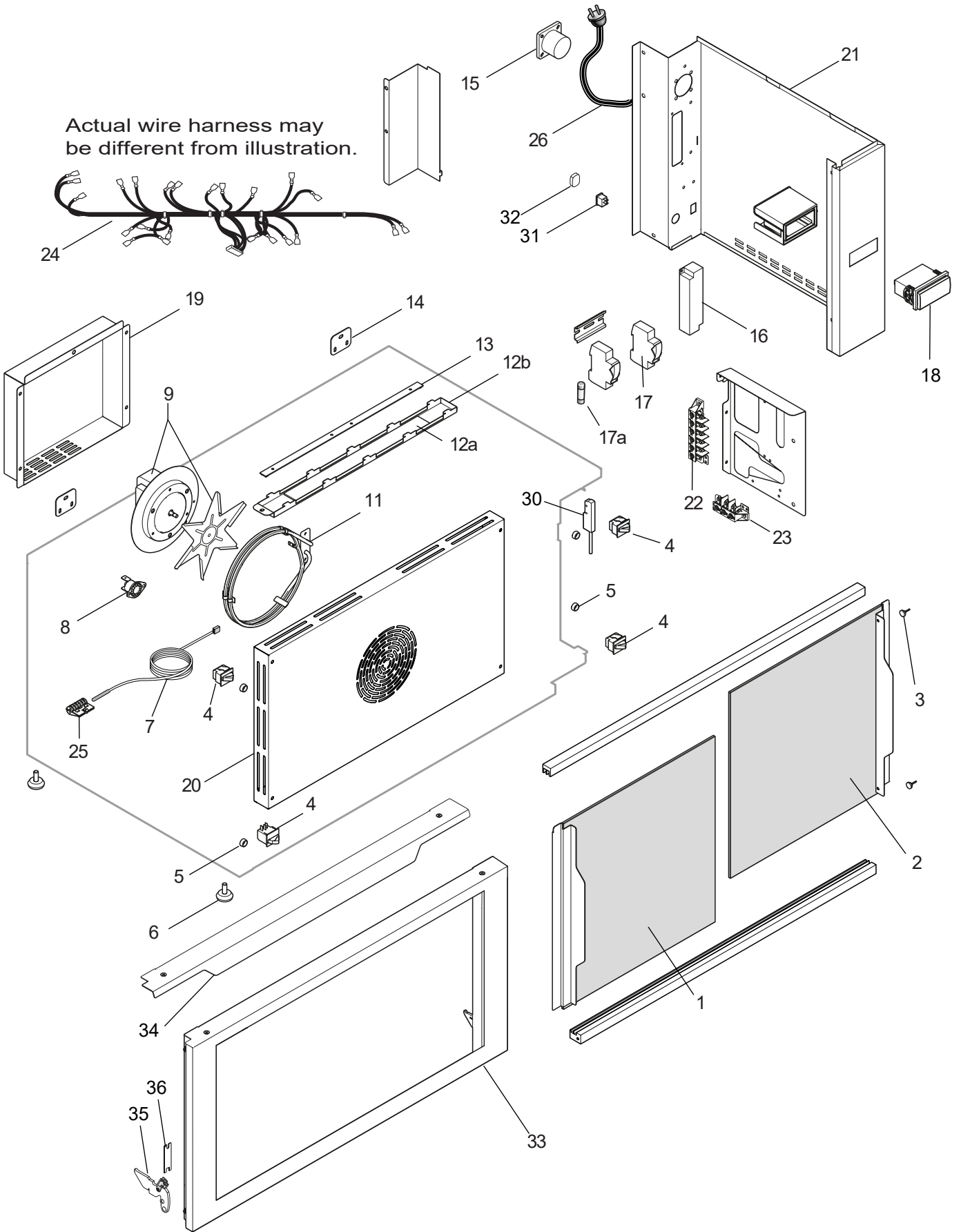
Bold=last change / Grassetto =ultima modifica

Rev. 2

From Ser. Nr. 1432 (2021) Up to Ser. Nr.	Ed. document publication 2022 - 03 Ed. page revision 2022 - 07	Page: 1	Doc No: 595405900
---	---	---------	--------------------------

SAFE BOX EU

Actual wire harness may be different from illustration.



SAFE BOX EU

Pos	Factory Code	Spare Code	Descrizione	Description	V	W & T	Ref./Notes
1	0835407F01	0CBAIH	ASSIEME PORTA VETRO SINISTRA	LEFT SLIDING GLASS DOOR ASSEMBLY	X	X	A B C D E F G H
2	0835407D01	0CBAIL	ASSIEME PORTA VETRO DESTRA	RIGHT SLIDING GLASS DOOR ASSEMBLY	X	X	A B C D E F G H
3	0546401Y00	0CBAGJ	GOMMINO PARACOLPO PORTA	RUBBER STOPPER FOR DOOR	X	X	A B C D E F G H Order 2 pieces
4	0640R02100	094035	MICRO PORTA	DOOR MICRO	X	X	A B C D E F G H
5	0546401X00	0CBAGI	RONDELLA IN PLASTICA FERMA CORSA	RUBBER STOPPER WASHER	X		A B C D E F G H
6	0830626200	049393	PIEDINO LIVELLATORE	FOOT	X	X	
7	0646R06700	092173	SONDA BLU	BLUE PROBE	X		NTC, 1500MM
8	0653800001	0C6155	TERMOSTATO SICUREZZA	SAFETY THERMOSTAT	X		
9	0611807701	0KB666	MOTOVENTILATORE E VENTOLA COMPLETO	MOTORVENTILATOR & FAN	X		
11	0617404200	0CBAGE	RESISTENZA	HEATING ELEMENT	X		500W 230V
12a	0181400100	0CBAGA	VETRO AL QUARZO E SUPPORTO	QUARTZ GLASS	X	X	
12b	050440J800	0CBAF8	SUPPORTO VETRO AL QUARZO	QUARTZ GLASS SUPPORT	X	X	
13	0661400200	0CBAF9	BARRA LED UVC	UVC LED BAR	X	X	400MM
14	050340CQ00	0CBAGG	STAFFA BLOCCO	STAKING STOPPER	X		
15	0640400800	0CBAGF	PRESA SCHUKO FEMMINA	FEMALE SCHUKO REAR PLUG	X		A C D F J K
15	0640400900	0CBAJ7	PRESA UK FEMMINA	FEMALE UK REAR PLUG	X		B E L
16	0624R00B01	097152	TRASFORMATORE 220/24V	VOLTAGE ADAPTOR 220/24V	X		
17	0652603200	075737	PORTAFUSIBILE	FUSE HOLDER	X	X	
17a	0652400M00	0CBAGH	FUSIBILE	FUSE	X	X	10,3X38 6A
18	0673400B01	0CBAGB	TERMOREGOLATORE	THERMOREGULATOR	X		
19	0502404900	0CBAGD	PANNELLO POST VENTILATORE	REAR PANEL, VENTILATOR	X		
20	0502404800	0CBAF7	CARTER VENTOLA CELLA	INNER VENTILATOR PANEL	X		
21	050340CM01	0CBAGL	PANNELLO DX	SIDE PANEL	X		A B C H
21	050340CM02		PANNELLO DX	SIDE PANEL	X		D E F G
21	050340CT01	0CBAR7	PANNELLO DX	SIDE PANEL	X		J K L
22	0A05714000	058613	MORSETTIERA 5 CONTATTI	TERMINAL BOARD 5 CONNECTORS	X		
23	0639804901	046357	MORSETTIERA 3 CONTATTI	TERMINAL BOARD 3 CONNECTORS	X		
24	0634402J00	0CBAGK	CABLAGGIO ELETTRICO	WIRING HARNESS	X	X	A B C
24	0634402K00	0CBAR3	CABLAGGIO ELETTRICO	WIRING HARNESS	X	X	D E F J K L
24	0634402M00		CABLAGGIO ELETTRICO	WIRING HARNESS	X	X	G H
25	0546R07500	091601	GABBIA PER BULBO	BULB SUPPORT	X		
26	0634800604	0C2192	CAVO DI ALIMENTAZIONE SCHUKO	SCHUKO POWER SUPPLY CABLE	X	X	A C D F J K
26	0634800802	0C3632	CAVO DI ALIMENTAZIONE UK	UK POWER SUPPLY CABLE	X	X	B E L
30	0646R20600	095929	SENSORE MAGNETICO	MAGNETIC MICROSWITCH	X		J K L
31	0640705101	0CBAR4	INTERRUTTORE UNIPOLARE	ON/OFF BUTTON	X		D E F G J K L
32	0223002301	0CBAR5	PROTEZIONE INTERRUTTORE	ON/OFF BUTTON COVER		X	D E F G J K L
33	0835407J00		ASSIEME PORTA	DOOR ASSEMBLY	X		J K L
34	0800404N01	0CBAR6	MANIGLIA	HANDLE	X		J K L
35	0835407K00		CERNIERA PORTA	DOOR HINGE	X		J K L
36	0506409600		STAFFA BLOCCAGGIO CERNIERA PORTA	DOOR HINGE LOCKING BRACKET		X	J K L

Finanzen / Service

28307 Bremen
Thalendorststraße 15
Tel.+49 421 48557-0
Fax+49 421 488650
bremen@nordcap.de

Vertrieb Ost

12681 Berlin
Wolfener Straße 32/34, Haus K
Tel.+49 30 936684-0
Fax+49 30 936684-44
berlin@nordcap.de

Vertrieb West

40699 Erkrath
Max-Planck-Straße 30
Tel.+49 211 540054-0
Fax+49 211 540054-54
erkrath@nordcap.de

Vertrieb Nord

21079 Hamburg
Großmoorbogen 5
Tel.+49 40 766183-0
Fax+49 40 770799
hamburg@nordcap.de

Vertrieb Süd

55218 Ingelheim
Hermann-Bopp-Straße 4
Tel.+49 6132 7101-0
Fax+49 6132 7101-20
ingelheim@nordcap.de



www.nordcap.de