

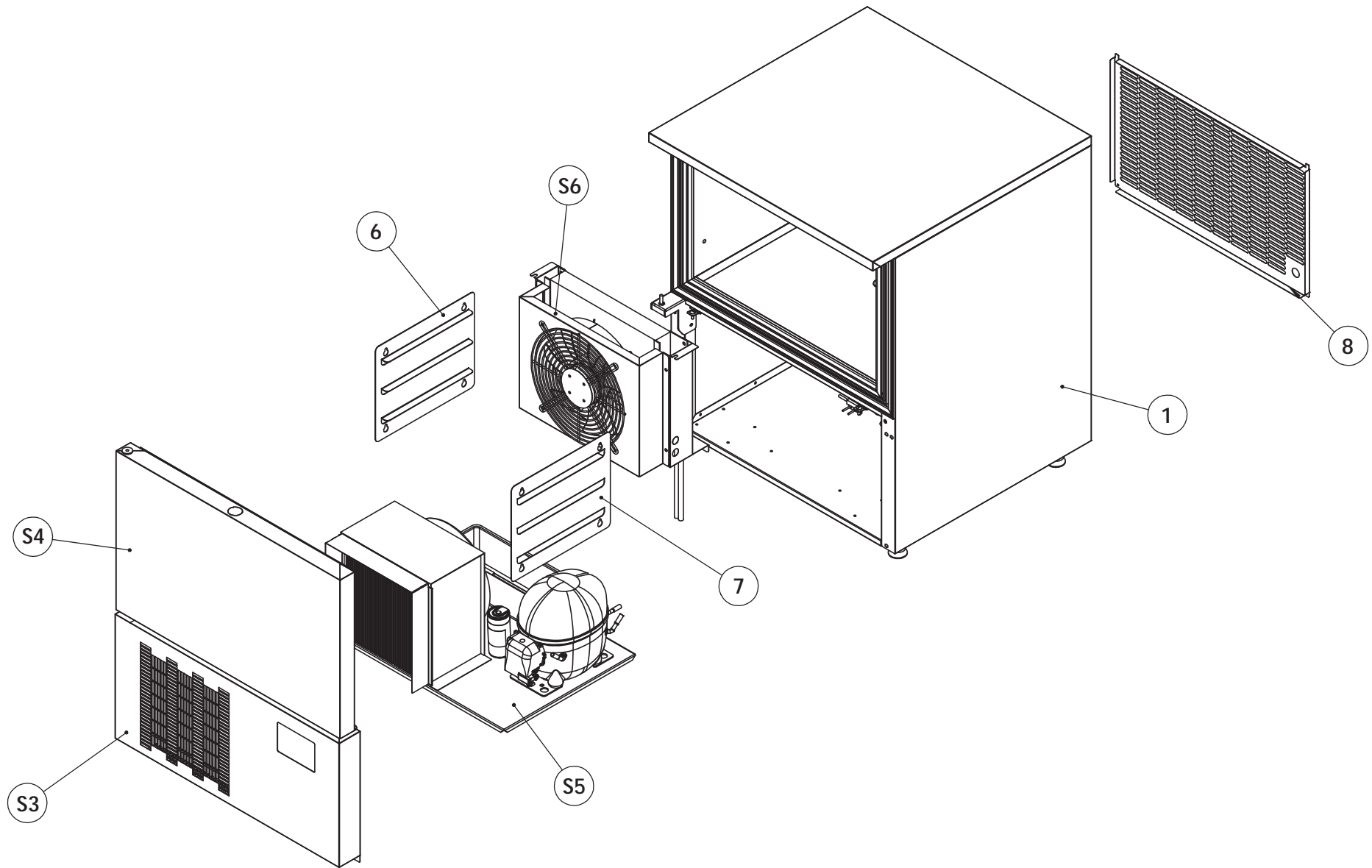
# Ersatzteilliste-Explosionszeichnung

## Schnellkühler / Schockfroster **SKF 10 GN ENTRY**

[Art. 433100005]

# Subassembly n. 1

ENTRY 2/3 - 3 - 5 - 7 - 10

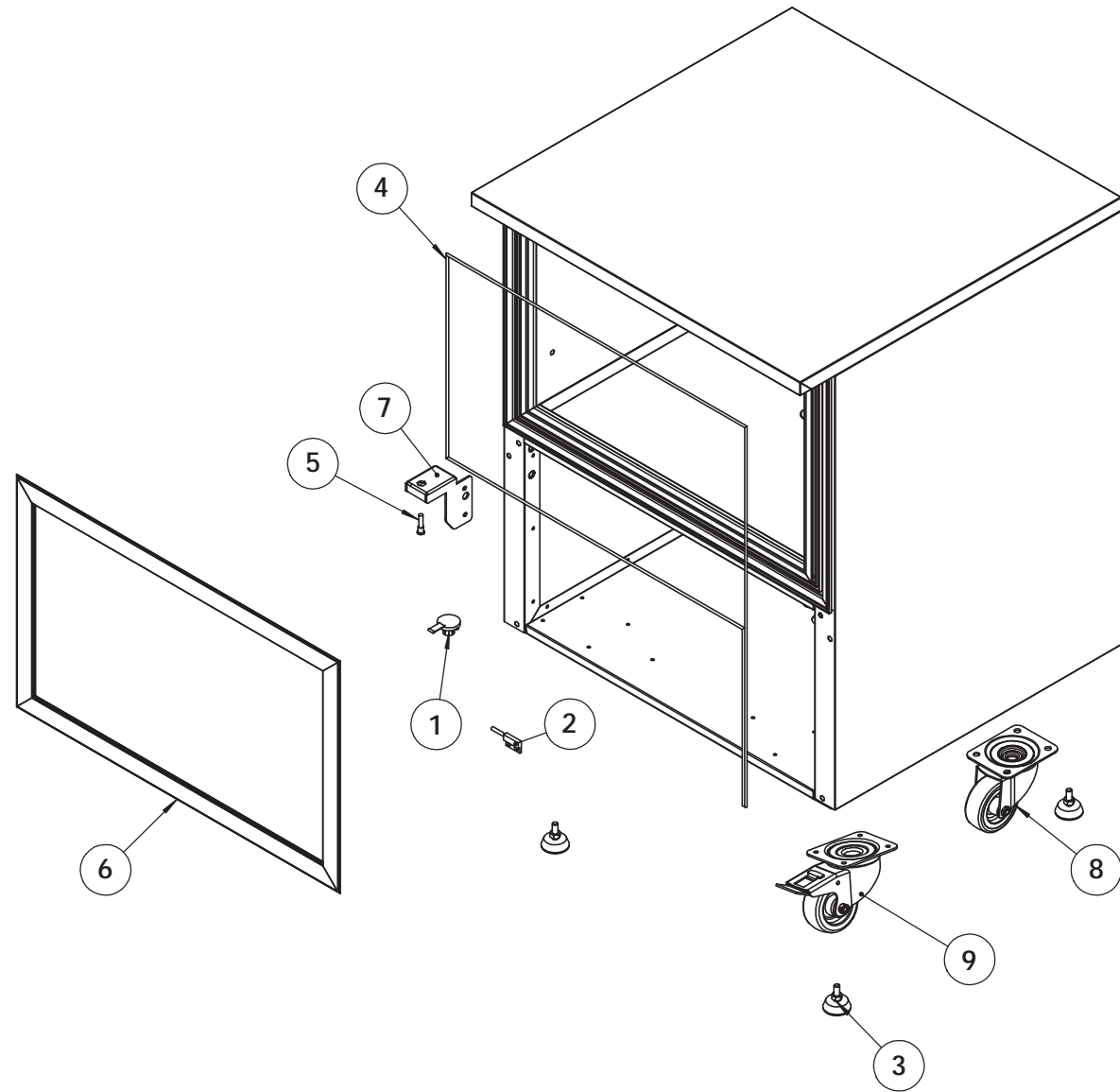


# Subassembly n. 1

<b>Position</b>	<b>Spare part code</b>	<b>Description</b>
<b>1</b>	R4514 00007	Entry 10 body
<b>1</b>	R4514 00008	Entry 10 body with lock
<b>6</b>	R1507 00012	Trays support Entry 5/10
<b>7</b>	R1507 00016	Trays support w/probe Entry 5/10
<b>8</b>	R1503 00008	Back panel Entry 7/10

# Subassembly n. 2

ENTRY 2/3 - 3 - 5 - 7 - 10

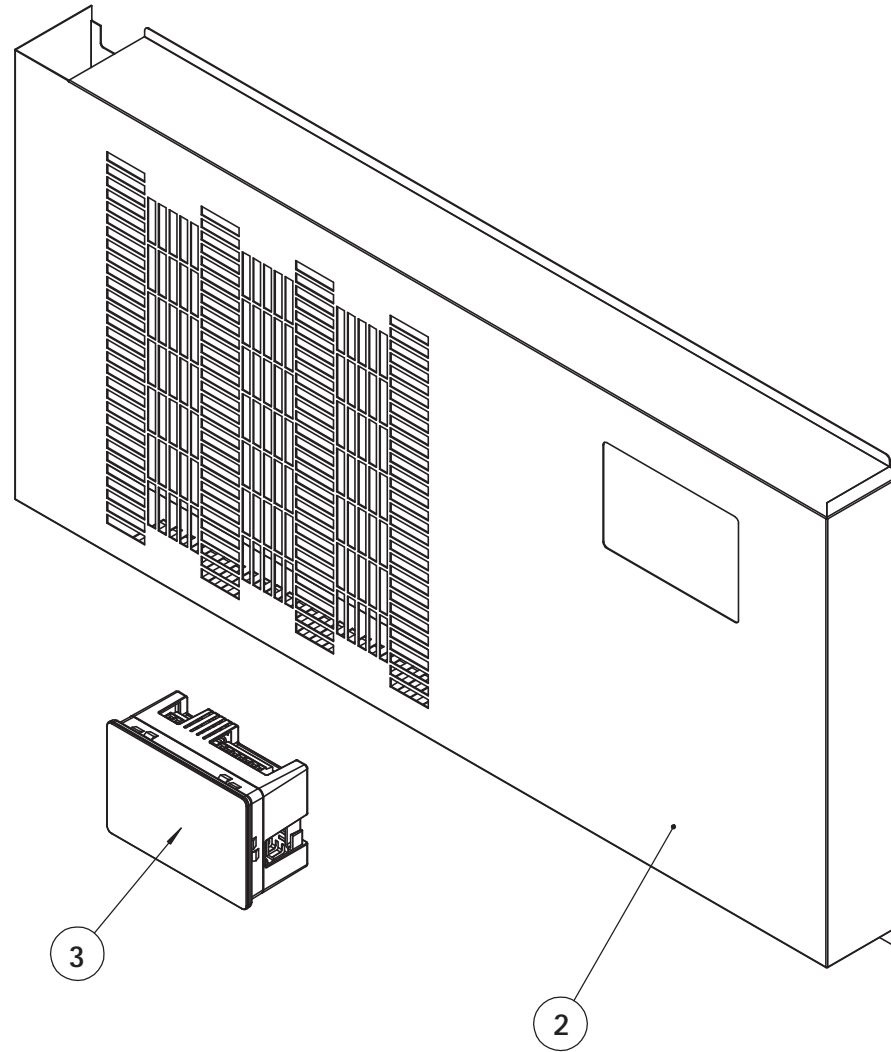


# Subassembly n. 2

<b>Position</b>	<b>Spare part code</b>	<b>Description</b>
<b>1</b>	R2301 00001	Cap for drain hole
<b>2</b>	R2117 00004	Magnetic sensor short
<b>3</b>	R2305 00002	Adjustable foot d.40xm8
<b>4</b>	R2102 00010	Door Heater Entry 10
<b>5</b>	R1507 00008	Lower hinge pin
<b>6</b>	R4001 00006	Frame kit Entry 10
<b>7</b>	R1507 00009	Lower hinge Entry
<b>8</b>	R2305 00003	Wheel without brake Entry
<b>9</b>	R2305 00004	Wheel with brake Entry

# Subassembly n. 3

ENTRY 2/3 - 3 - 5 - 7 - 10

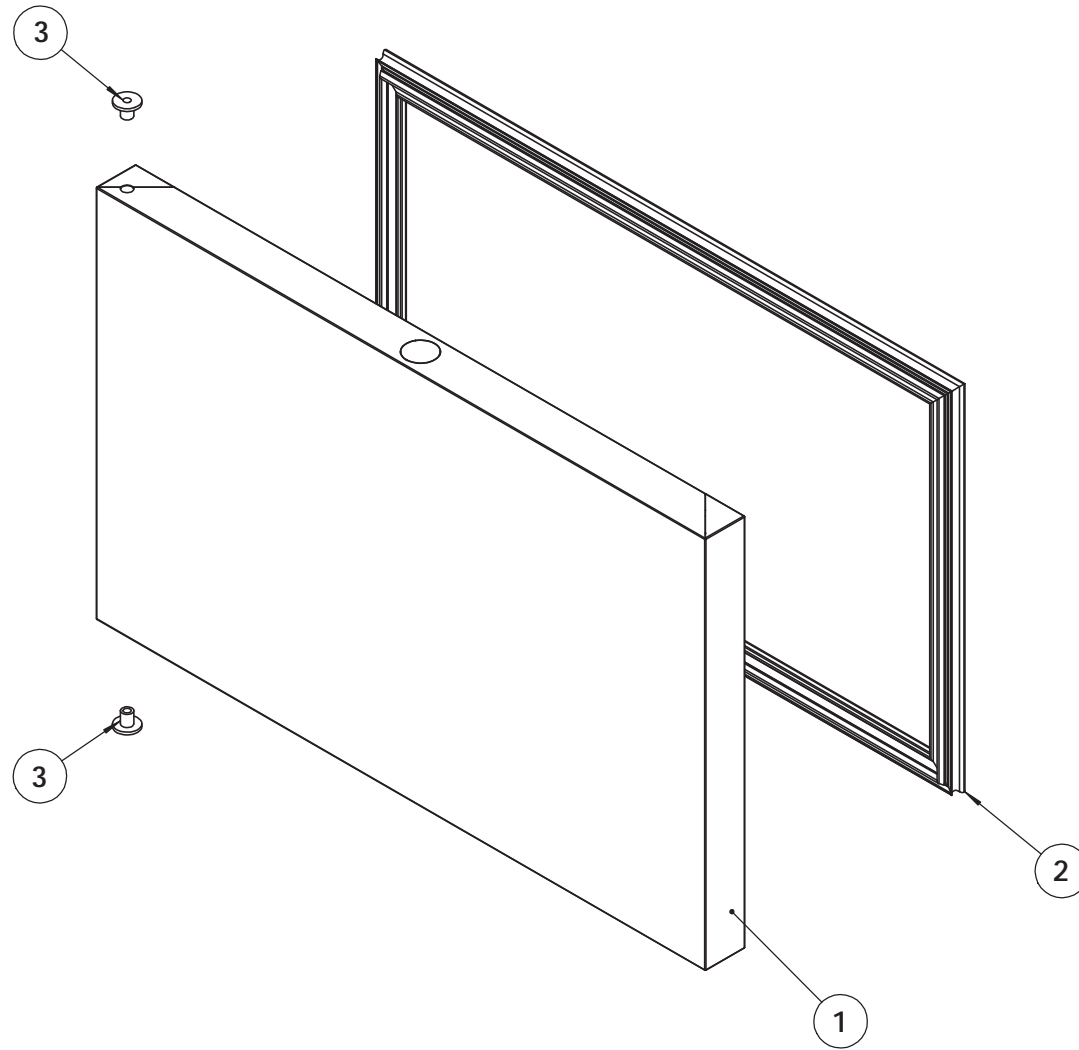


# Subassembly n. 3

<b>Position</b>	<b>Spare part code</b>	<b>Description</b>
<b>2</b>	R1503 00012	Front panel Entry 7/10
<b>3</b>	R2402 00003	Controller EVJ805

# Subassembly n. 4

ENTRY 2/3 - 3 - 5 - 7 - 10



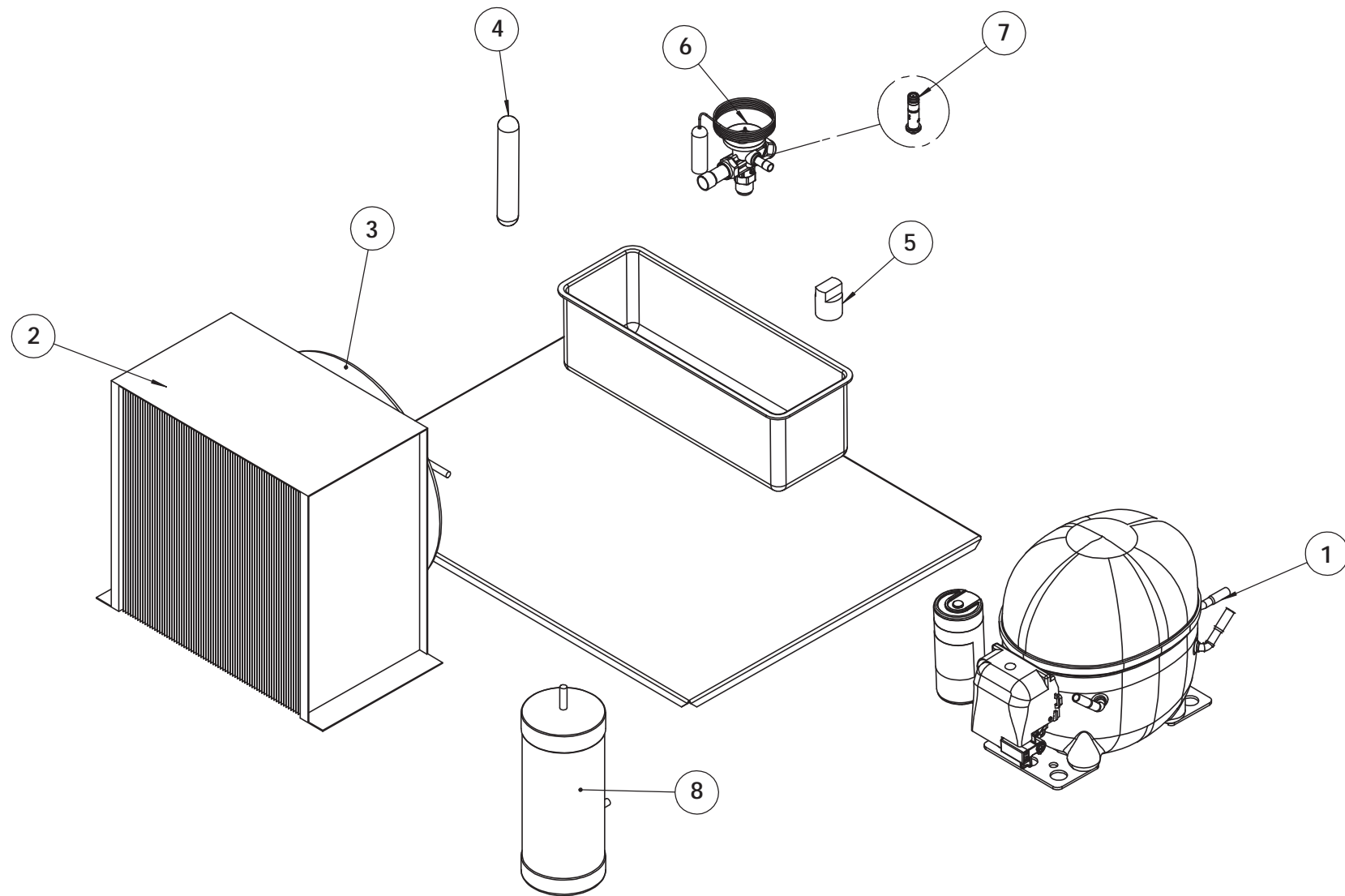


# Subassembly n. 4

<b>Position</b>	<b>Spare part code</b>	<b>Description</b>
<b>1</b>	R4514 00005	Door Entry 10
<b>1</b>	R4514 00006	Door Entry 10 with lock
<b>2</b>	R2503 00010	Door gasket Entry 10
<b>3</b>	R2502 00001	Brass bushing

# Subassembly n. 5

ENTRY 2/3 - 3 - 5 - 7 - 10

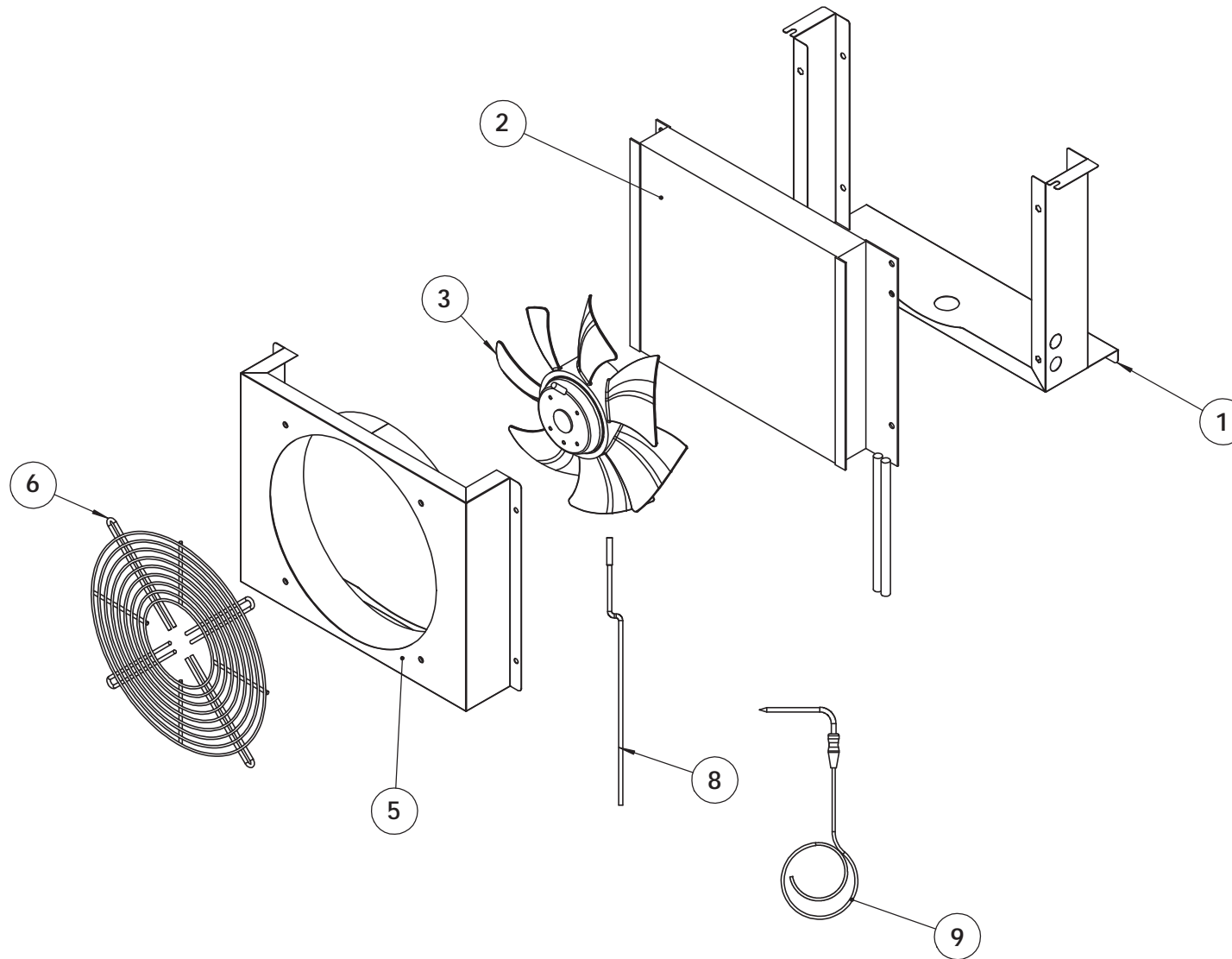


# Subassembly n. 5

<b>Position</b>	<b>Spare part code</b>	<b>Description</b>
<b>1</b>	R2210 00005	Compressor NJ2212GJ
<b>2</b>	R2204 00005	Entry 7/10 condenser
<b>3</b>	R2101 00007	Entry 7/10 condenser fan
<b>4</b>	R2206 00005	Entry 7/10 filter
<b>5</b>	R2212 00001	High pressure switch
<b>6</b>	R2203 00002	Sanhua thermostatic valve OR2
<b>6</b>	R2203 00003	Castel thermostatic valve 2230/M12S
<b>7</b>	R2203 00011	Castel Orifice 01
<b>8</b>	R2205 00003	Entry7/10 Liquid receiver

# Subassembly n. 6

ENTRY 2/3 - 3 - 5 - 7 - 10



# Subassembly n. 6

<b>Position</b>	<b>Spare part code</b>	<b>Description</b>
<b>1</b>	R1504 00007	Entry 10 evaporator support
<b>2</b>	R2202 00007	Evaporator Entry 10
<b>3</b>	R2101 00010	Entry 5/7/10 fan
<b>5</b>	R1504 00011	Entry 10 fan support
<b>8</b>	R2401 00006	Cell/Evap probe PTC Entry
<b>9</b>	R2401 00007	Core probe PTC Entry