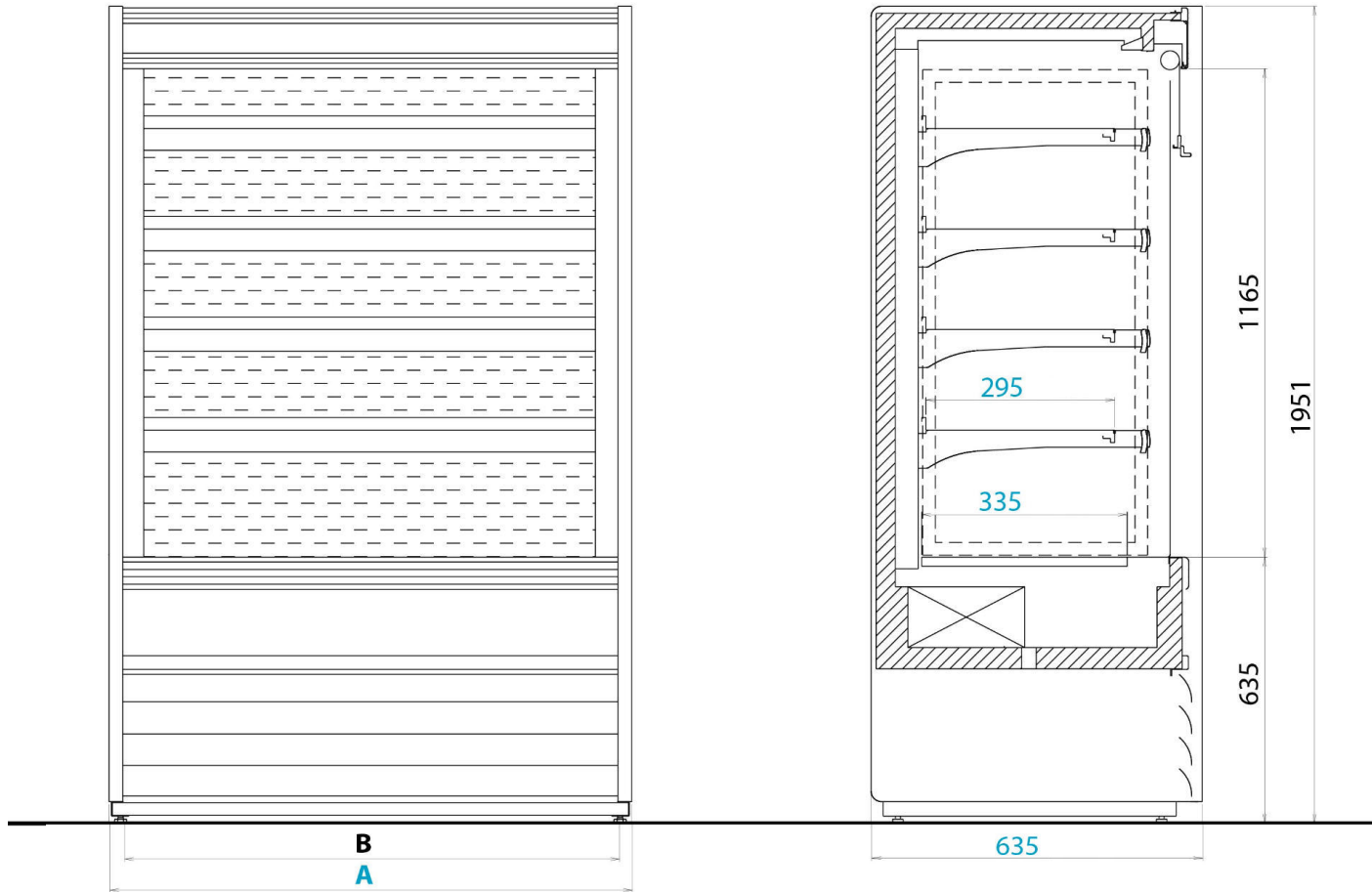


# Masszeichnung

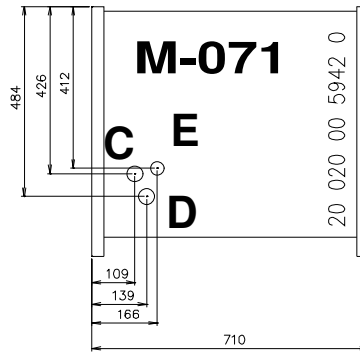
## Wandkühlregal ALASKA 071 SLIM ENERGY



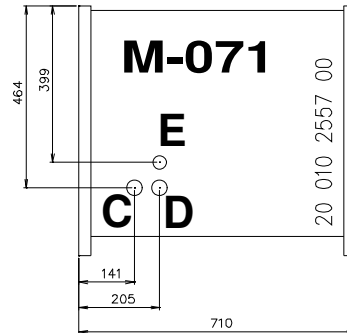
	A	B		A	B
<b>71</b>	710	645	<b>180</b>	1856	1792
<b>100</b>	960	896	<b>240</b>	2436	2372
<b>120</b>	1250	1186	<b>300</b>	2956	2892
<b>150</b>	1510	1446	<b>360</b>	3648	3584

# Position Ablauf

MODELLO	VASCA	FONDO
R452 REMOTE OPEN		
R452 REMOTE CLOSED		
R452 INTEGRAL OPEN		
R452 INTEGRAL CLOSED		
R452 VBN REMOTE OPEN		
R452 VBN REMOTE CLOSED		
R452 VBN INTEGRAL OPEN	20 020 00 5942 0	20 040 00 0499 0
R452 VBN INTEGRAL CLOSED		
R290 INTEGRAL OPEN		
R290 INTEGRAL CLOSED		
R290 VBN INTEGRAL OPEN		
R290 VBN INTEGRAL CLOSED		



MODELLO	VASCA	FONDO
R452 REMOTE OPEN	20 010 2557 00	20 040 00 0426 0
R452 REMOTE CLOSED	20 010 2557 00	20 040 00 0426 0
R452 INTEGRAL OPEN	20 010 2557 00	20 040 00 0426 0
R452 INTEGRAL CLOSED	20 010 2557 00	20 040 00 0426 0
R452 VBN REMOTE OPEN	20 010 2557 00	20 040 00 0426 0
R452 VBN REMOTE CLOSED	20 010 2557 00	20 040 00 0426 0
R452 VBN INTEGRAL OPEN		
R452 VBN INTEGRAL CLOSED		
R290 INTEGRAL OPEN	20 010 2557 00	20 040 00 0426 0
R290 INTEGRAL CLOSED	20 010 2557 00	20 040 00 0426 0
R290 VBN INTEGRAL OPEN		
R290 VBN INTEGRAL CLOSED	20 010 2557 00	20 040 00 0426 0



C - ELEKTRISCHER KABEL (ELECTRICAL WIRES)  
D - ROHRE (PIPES)  
E - ABLAUF (DRAIN)

