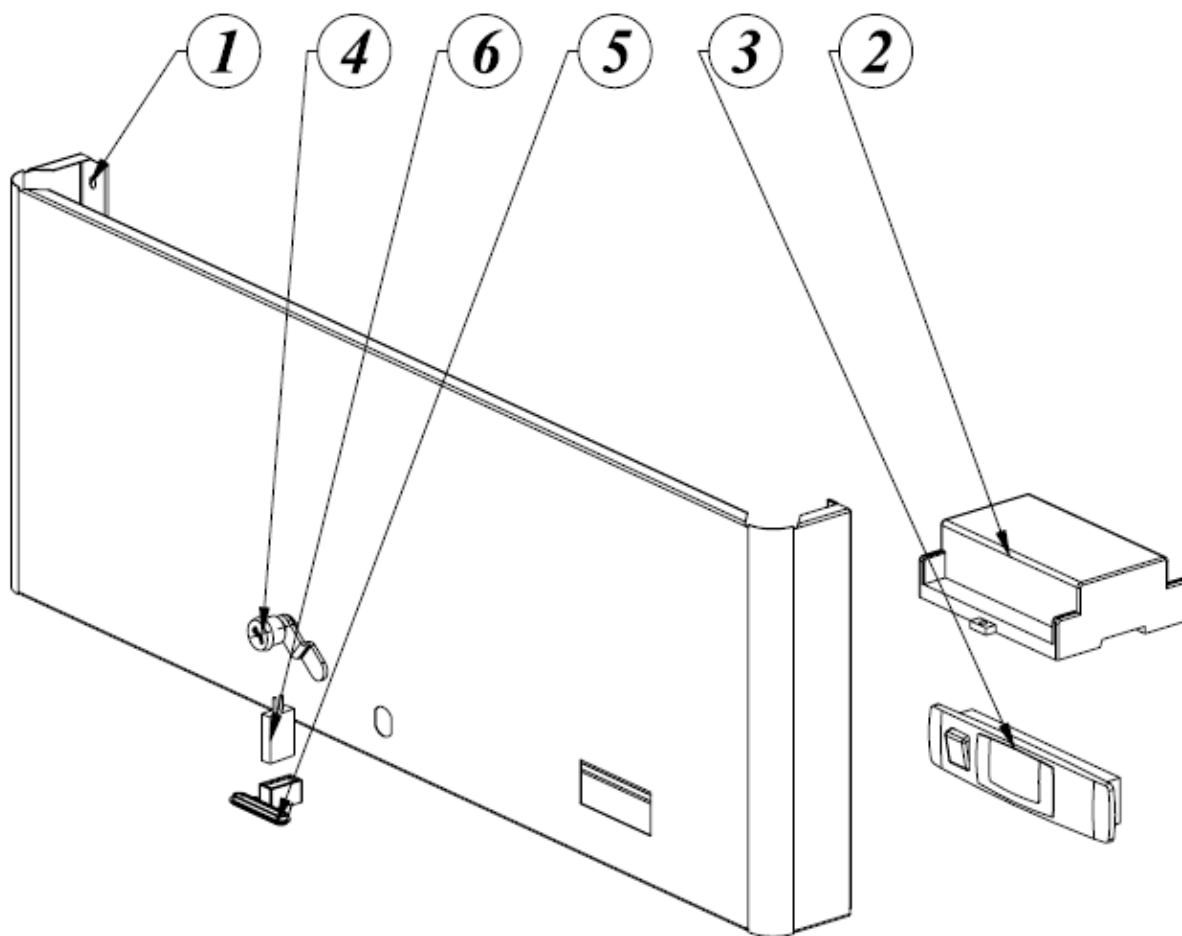


Ersatzteilliste-Explosionszeichnung

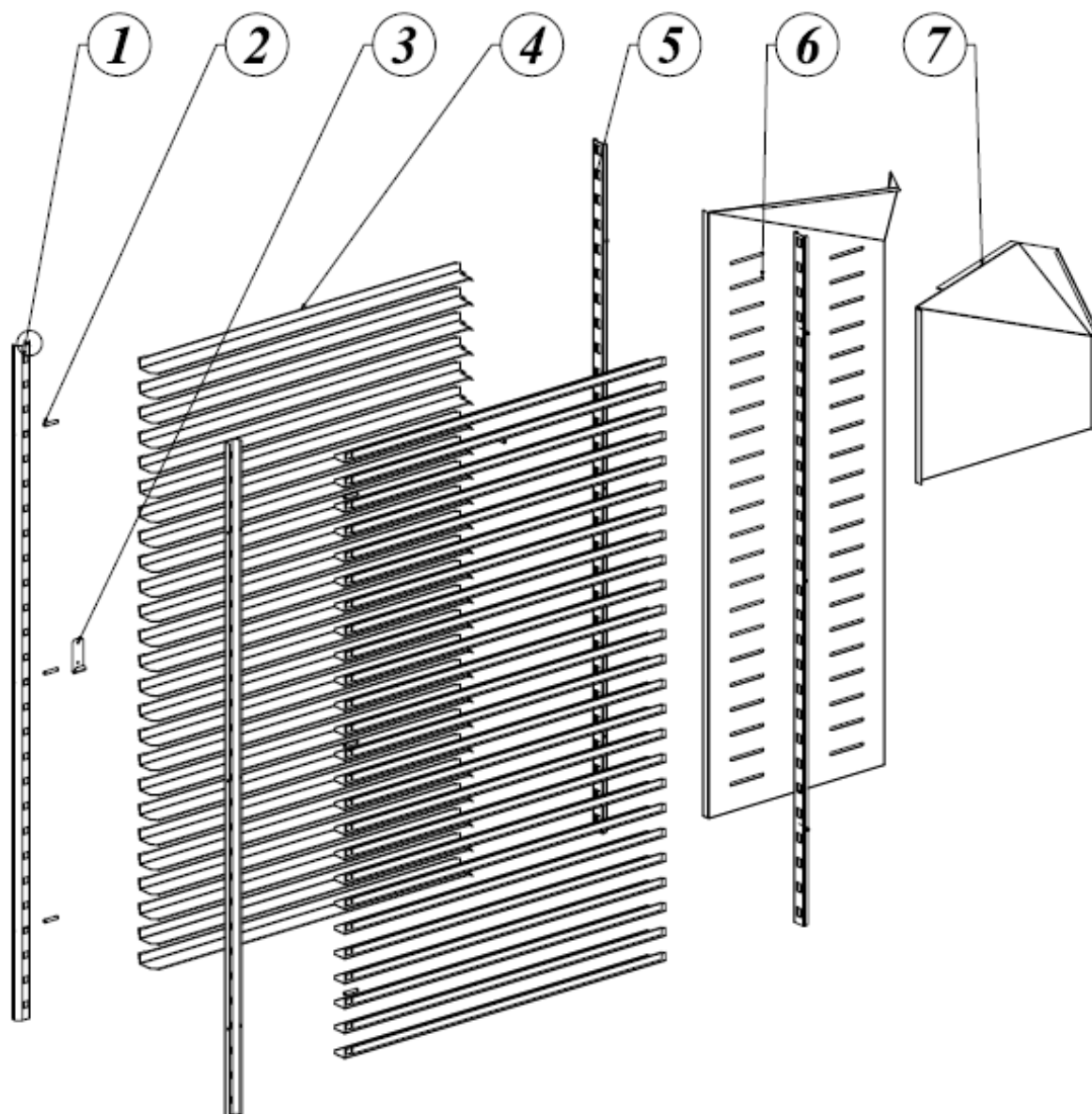
COOL-LINE Backwarenkühlschrank BKS 600

[Artikel-Nr.: 447600600]

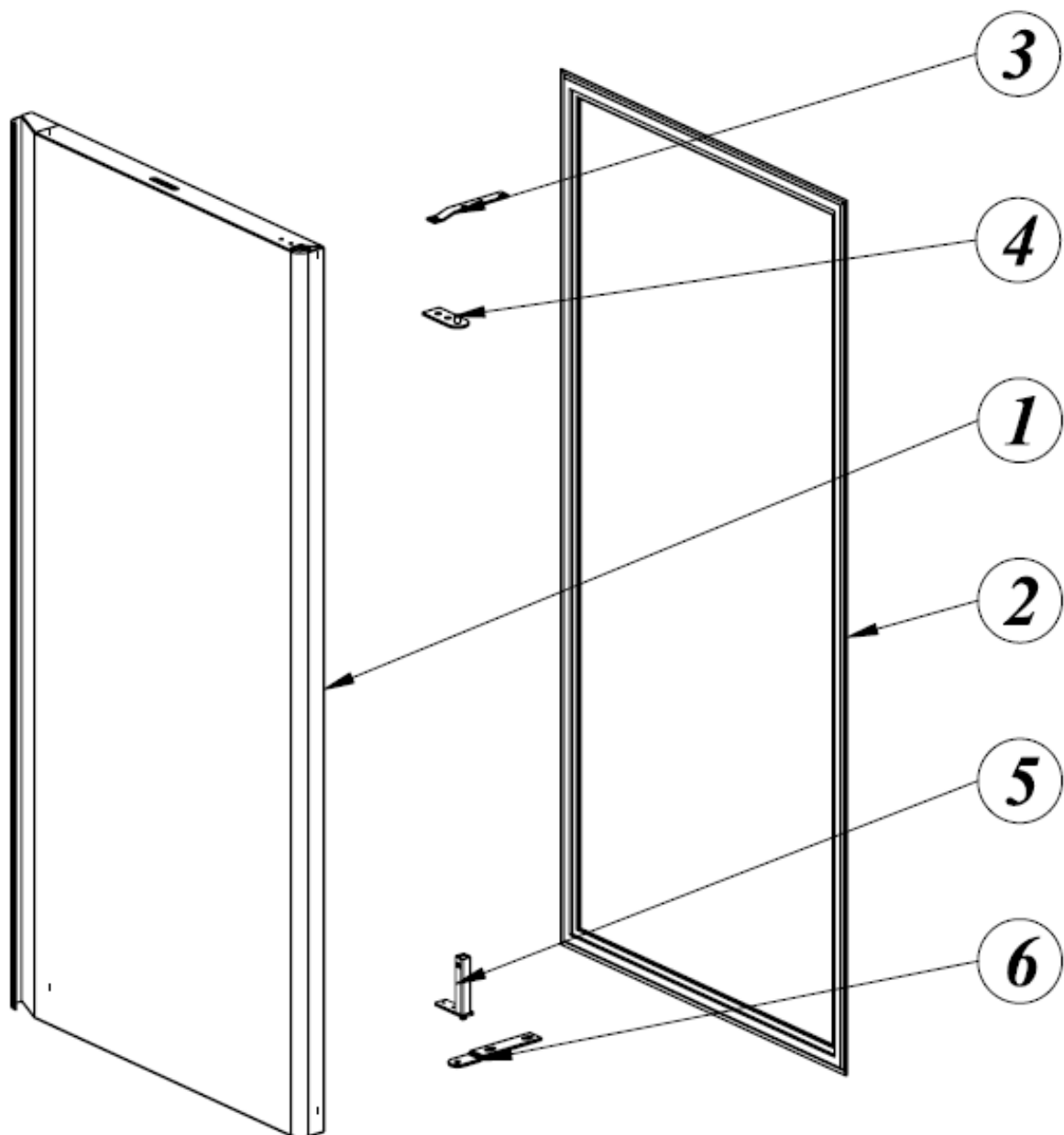




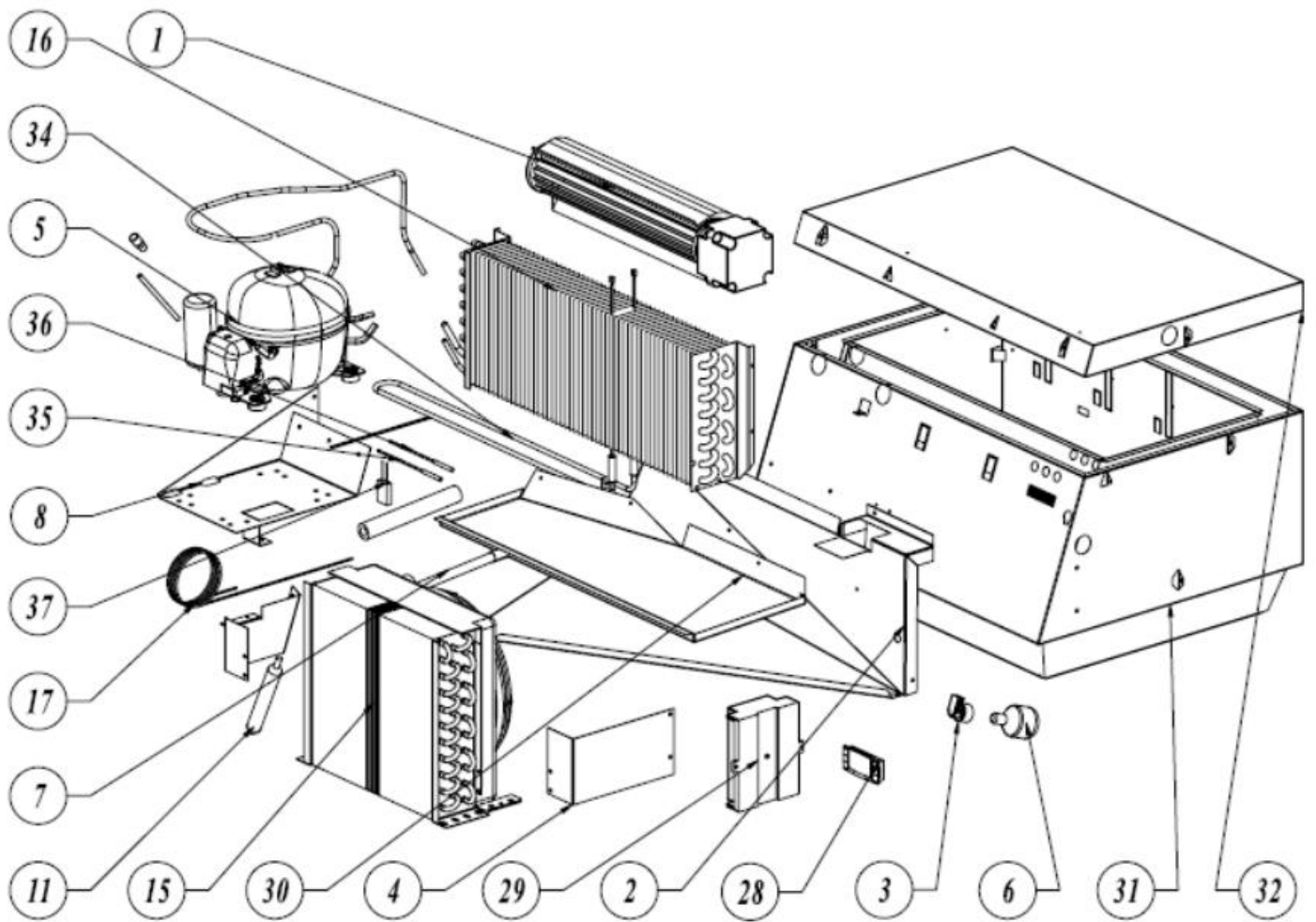
| NUMBER | NAME | ARTICLE NUMBER | |
|--------|--------------------------------|----------------|--|
| 1 | FRONT PANNEL 600/900 | 30119 | |
| 2 | CONTROLLER MODUL DIXELL XW60 K | 40163 | |
| 3 | DISPLAY FOR MODUL | 40164 | |
| 3 | DISPLAY FRAME ADAPTER | 40157 | |
| 4 | LOCK WITH KEY | 20342 | |
| 5 | LOCK PLASTIC | 60072 | |
| 6 | DOOR SWICH | 40167 | |



| NUMBER | NAME | ARTICLE NUMBER | 600 |
|--------|--------------------------|----------------|-----|
| 1 | FRONT VERTICAL SUPPORT | 20229 | * |
| 2 | / | | |
| 3 | HOOK | 20203 | * |
| 4 | L PROFILE 600 | 20223 | * |
| 5 | REAR VERTICAL SUPPORT | 20230 | * |
| 6 | LEFT INLET CHANNEL 600 | 50319 | * |
| 7 | RIGHT OUTLET CHANNEL 600 | ? | * |



| NUMBER | NAME | ARTICLE NUMBER | |
|--------|--------------------|----------------|--|
| 1 | DOOR 600 900 | 30312 | |
| 2 | DOOR SEAL 600 900 | 60035 | |
| 3 | UPPER DOOR SUPPORT | 50574 | |
| 4 | UPPER DOOR HINGE | 60046 | |
| 5 | LOWER DOOR HINGE | 60040 | |
| 6 | LOWER DOOR SUPPORT | 50538 | |



| Position | Bezeichnung | Nummer | BKS 600 R290 | BKS 900 R290 | BLF 600 R290 | BLF 900 R290 |
|----------|---------------------------------------|--------|--------------|--------------|--------------|--------------|
| 1 | Ventilator TF240/30 | 40302 | * | | | |
| 1 | Ventilator TF360/35 | 40304 | | * | * | * |
| 1 | Ventilator EBM PAPST 240/30 | 40309 | * | | | |
| 1 | Ventilator EBM PAPST 360/35 | 40310 | | * | * | * |
| 2 | Luftwand | ? | * | | | |
| 2 | Luftwand | ? | | * | * | * |
| 4 | Halter für Kondensator | 50512 | * | * | * | * |
| 5 | Kompressor EMT 6144 U | 40342 | * | | | |
| 5 | Kompressor EMT 6165 U | 40348 | | * | | |
| 5 | Kompressor NEU 2155 U | 40363 | | | * | |
| 5 | Kompressor NT2170 U | 40343 | | | | * |
| 7 | Abflussrohr | 60061 | * | * | * | * |
| 8 | Kompressorhalterung | 50511 | * | * | * | * |
| 11 | Trocknungspatrone | 40061 | * | * | * | * |
| 13 | Motor 16W/230V | 40314 | * | * | * | * |
| 14 | Ventilator 245/28 | 40321 | * | * | * | * |
| 15 | Kondensator CAV | 40008 | * | | | |
| 15 | Kondensator CAVF 112 | 40074 | | * | * | |
| 15 | Kondensator CAVF 113 | 40009 | | | | * |
| 16 | Verdampfer 2 | 40021 | * | | | |
| 16 | Verdampfer 3 | 40022 | | * | * | |
| 16 | Verdampfer 4 | 40023 | | | | * |
| 28 | Display CX620 –000CO 6 | 40164 | * | * | * | * |
| 28 1 | MEMBRANA MASCH MBR PANN D60K | 40260 | * | * | * | * |
| 28 2 | Display D60LM-000W0 | 40261 | * | * | * | * |
| 28 3 | Kabel CABCI15 1,5 m | 40262 | * | * | * | * |
| 29 | Regulator XW60K | 40163 | * | * | * | * |
| 30 | Entwässerungsbehälter | 50170 | * | * | * | * |
| 31 | Gehäuse des Verdampfers | 50058 | | * | | * |
| 31 | Gehäuse des Verdampfers | ? | * | | * | |
| 32 | Abdeckung | 50056 | | * | | * |
| 32 | Abdeckung | ? | * | | * | |
| 34 | Heizgerät 250 W | 40401 | * | * | | |
| 34 | Heizgerät 450 W | 40402 | | | * | * |
| 35 | TIPALO NS6S 1.5MT DIXELL NTC SIL 6x30 | 40094 | * | * | * | * |
| 36 | TIPALO NS6 1.5MT DIXELL NTC SIL 6x30 | 40095 | * | * | * | * |
| 37 | STIKALO READ FBS MSA 01-1600 | 40167 | * | * | * | * |

Finanzen / Service
28307 Bremen
Thalendorststraße 15
Tel.+49 421 48557-0
Fax+49 421 488650
bremen@nordcap.de

Vertrieb Ost
12681 Berlin
Wolfener Straße 32/34, Haus K
Tel.+49 30 936684-0
Fax+49 30 936684-44
berlin@nordcap.de

Vertrieb West
40699 Erkrath
Max-Planck-Straße 30
Tel.+49 211 540054-0
Fax+49 211 540054-54
erkraht@nordcap.de

Vertrieb Nord
21079 Hamburg
Großmoorbogen 5
Tel.+49 40 766183-0
Fax+49 40 770799
hamburg@nordcap.de

Vertrieb Süd
55218 Ingelheim
Hermann-Bopp-Straße 4
Tel.+49 6132 7101-0
Fax+49 6132 7101-20
ingelheim@nordcap.de



www.nordcap.de