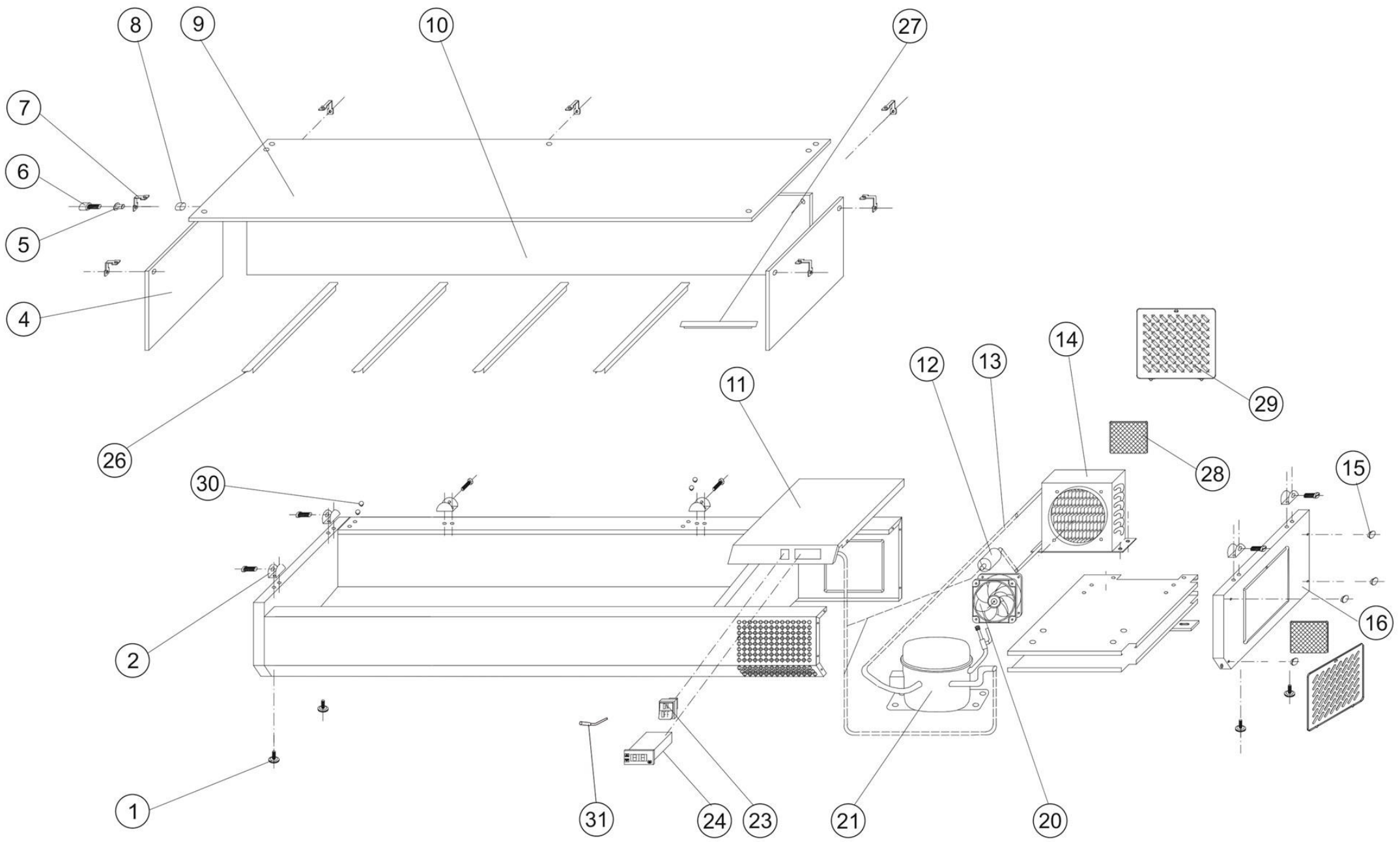


# Ersatzteilliste-Explosionszeichnung

## COOL-LINE-Kühlaufsatz PA 13-150

[Art. 435131502]





16503 / VK33-150

| Position | ItemNo | Description                      |
|----------|--------|----------------------------------|
| 01       | 14579  | Feet M8                          |
| 02       | 10499  | Clips Glass Cover                |
| 03       | 12795  | Cover Hinge Axis                 |
| 04       | 10621  | Side Glass                       |
| 05       | 35045  | Bushing                          |
| 06       | 35046  | Glass Fixed Bolt                 |
| 07       | 35047  | Glass Linked Clip                |
| 08       | 35048  | Glass Clip Fixed Nut             |
| 09       | 35057  | Top Glass                        |
| 10       | 35058  | Front Glass                      |
| 11       | 11870  | Unit Room Cover For Compressor   |
| 12       | 15722  | Filter Drier 20 G                |
| 13       | 13237  | Defrost Water Coil               |
| 15       | 10068  | Plastic Cap                      |
| 16       | 11621  | Unit Side Nordcap                |
| 17       | 32629  | Plug                             |
| 20       | 13318  | Cond./Evap. Fan Rah1238B         |
| 21       | 11725  | Compressor HDL100A R600A         |
| 23       | 13754  | Main Switch                      |
| 24       | 14061  | Thermostat XR02CX 2 Probes       |
| 26       | 14768  | Divider For GN1/4 Pans 268x27 mm |
| 27       | 14771  | Divider For GN1/6 Pans 178x76 mm |
| 28       | 10020  | Filter 182 x 215 mm              |
| 29       | 10017  | Dust Filter Cover                |
| 30       | 10039  | Cover For Screw                  |
| 31       | 13896  | Probe NTC Dixell/Carel 10 Kohm   |

2022-07-06

**Finanzen/Service**  
**28307 Bremen**  
Thalenhorststraße 15  
Tel.+49 421 48557-0  
Fax+49 421 488650  
bremen@nordcap.de

**Vertrieb Ost**  
**12681 Berlin**  
Wolfener Straße 32/34, Haus K  
Tel.+49 30 936684-0  
Fax+49 30 936684-44  
berlin@nordcap.de

**Vertrieb West**  
**40699 Erkrath**  
Max-Planck-Straße 30  
Tel.+49 211 540054-0  
Fax+49 211 540054-54  
erkrath@nordcap.de

**Vertrieb Nord**  
**21079 Hamburg**  
Großmoorbogen 5  
Tel.+49 40 766183-0  
Fax+49 40 770799  
hamburg@nordcap.de

**Vertrieb Süd**  
**55218 Ingelheim**  
Hermann-Bopp-Straße 4  
Tel.+49 6132 7101-0  
Fax+49 6132 7101-20  
ingelheim@nordcap.de



[www.nordcap.de](http://www.nordcap.de)