

Ersatzteilliste-Explosionszeichnung

Gas-Glühplattenherd **GGH7 / BGB**

[Art. 406372008]



TUTTAPIASTRA GAS E700XP GAS SOLID TOP E700XP

PNC	Model	Ref	Brand	Version	Notes
371007	E7STGH1000	q	ELX	GAS	SOLID TOP 800MM
371008	E7STGH10G0	a	ELX	GAS	OVEN 800 MM
371009	E7STGH30G0	b	ELX	GAS	2 BURNERS + OVEN 800 MM
371010	E7STGL3010	c	ELX	GAS	2 BURN. + OVEN + OPEN BURN.1200MM
371011	E7STGH3000	r	ELX	GAS	SOLID TOP + 2 BURNERS 800MM
371012	E7STGL5000	m	ELX	GAS	SOLID TOP + 4 BURNERS 1200 MM
371217	E7STGH10GA	j	ELX	GAS	SOLID TOP + OVEN 800 MM AUSTRALIA
371218	E7STGL301A	k	ELX	GAS	2 BURN. + OVEN + OPEN BURN 1200MM AUSTRALIA
372007	Z7STGH1000	s	ZAN	GAS	SOLID TOP 800MM
372008	Z7STGH10G0	d	ZAN	GAS	SOLID TOP + OVEN 800 MM
372009	Z7STGH30G0	e	ZAN	GAS	2 BURNERS + OVEN 800 MM
372010	Z7STGL3010	f	ZAN	GAS	2 BURN. + OVEN + OPEN BURN.1200MM
372011	Z7STGH3000	t	ZAN	GAS	SOLID TOP + 2 BURNERS 800MM
372012	Z7STGL5000	u	ZAN	GAS	2-BURNER+SOLID TOP+2 BURNER 1200 MM
372160	Z7STGH100H	v	ZAN	GAS	SOLID TOP 800 MM-HAKVOORT
372217	Z7STGH10GA	l	ZAN	GAS	SOLID TOP + OVEN 800 MM AUSTRALIA
372218	Z7STGL301A	n	ZAN	GAS	GAS SOLID TOP+2 BURN.+OVEN+OPEN B.1200MM
373007	A7STGH1000	w	OEM	GAS	SOLID TOP 800MM
373008	A7STGH10G0	g	OEM	GAS	SOLID TOP + OVEN 800 MM
373009	A7STGH30G0	h	OEM	GAS	2 BURNERS + OVEN 800 MM
373010	A7STGL3010	i	OEM	GAS	2 BURN. + OVEN + OPEN BURN.1200MM
373011	A7STGH3000	x	OEM	GAS	SOLID TOP + 2 BURNERS 800MM
373217	A7STGH10GA	o	OEM	GAS	GAS SOLID TOP+OVEN 800 MM AUSTRALIA
373218	O7GCGH4CG0	p	OEM	GAS	GAS SOLID TOP+2BURN.+OVEN+OPEN B.1200AUS

Page

2,3
4
5,6
7-11

Index

General components
Gas components
Pilot/Burner Nozzles
Spare parts list

Indice

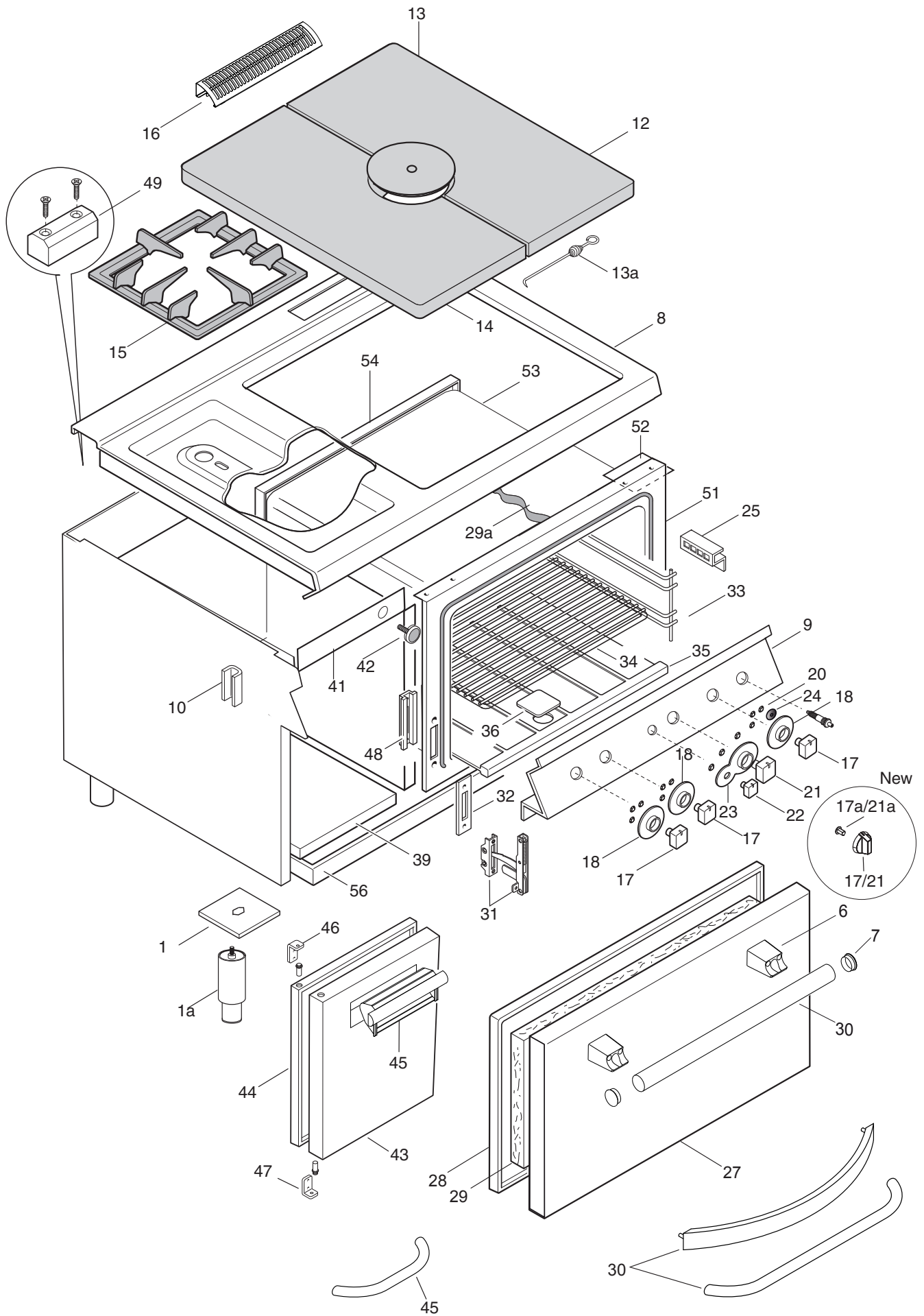
Componenti struttura
Componenti Gas
Tabelle Ugelli
Lista ricambi

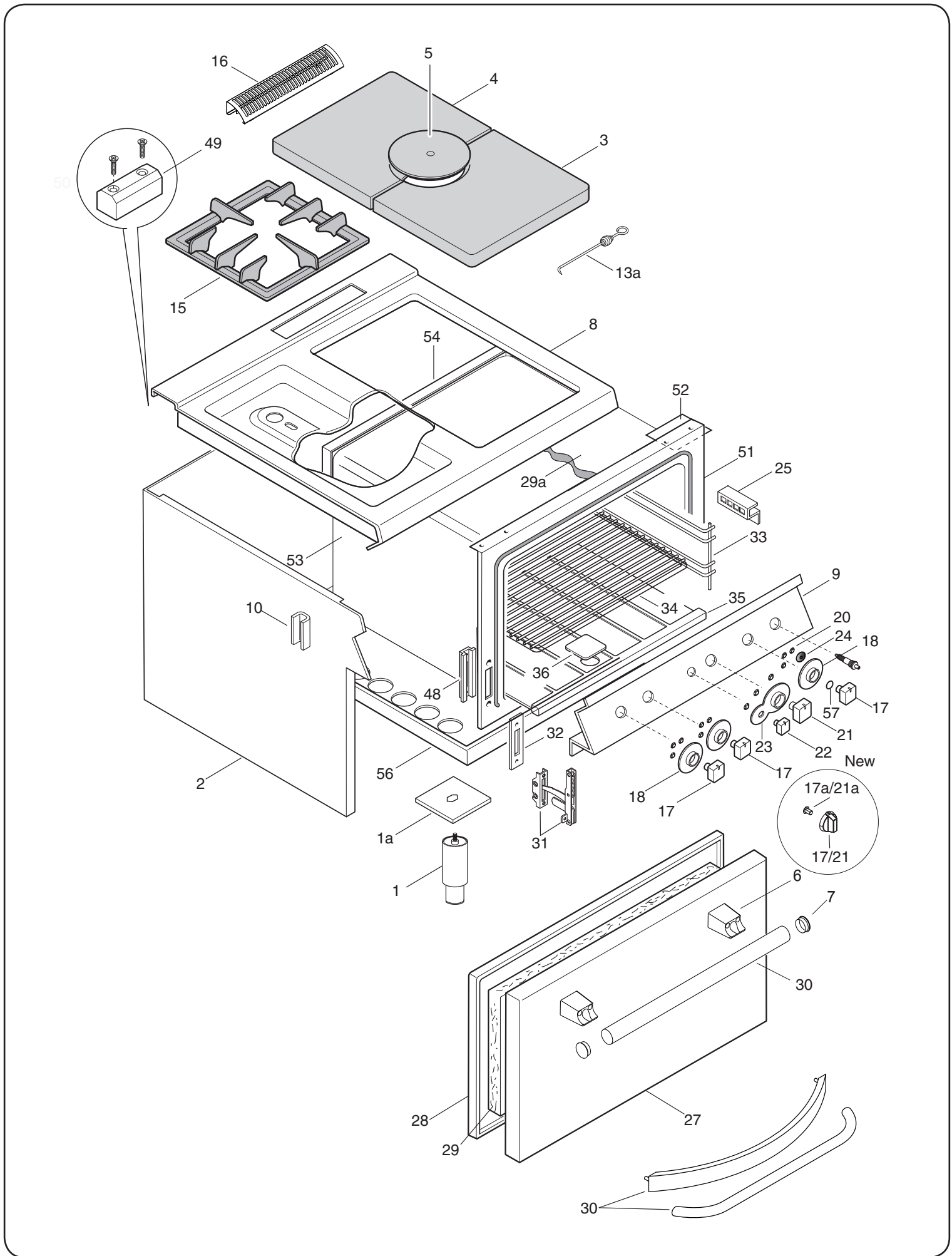
Note

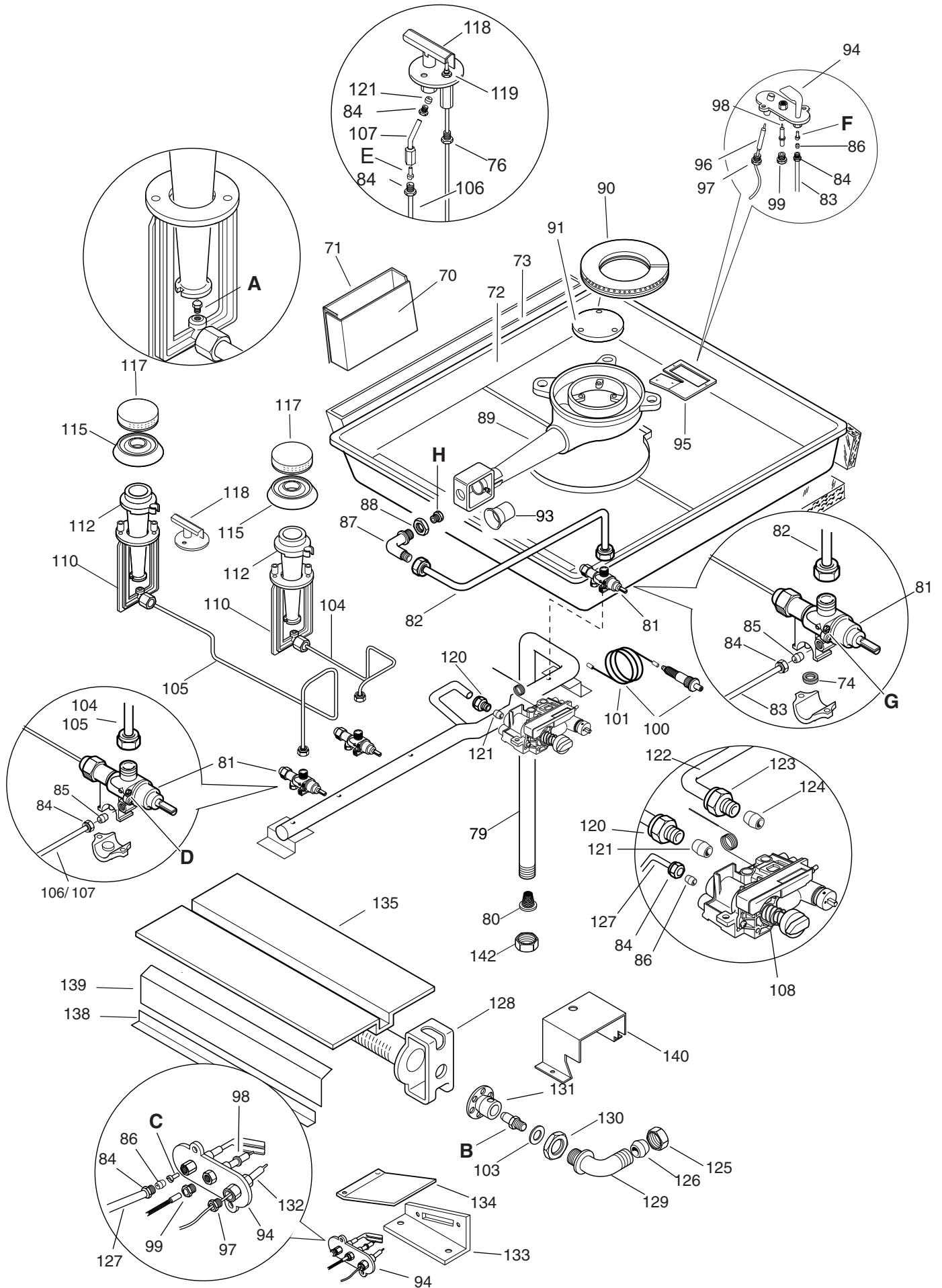
Bold=last change / Grassetto =ultima modifica

Rev. 2

Brand/Marchio: All
Factory Code: 9PDX







A - Ugello bruciatore / Burner nozzle ø60			
6DGT Code	Ref. / Notes		
059314	ø1.15	3+3B/P	G30 30mbar
0A2076	ø1.10	3B/P	G30 37mbar
0C2807	ø1.10	3B/P	G30 50mbar
0C2809	ø1.85	2H/2E+	G20 20mbar
0C2808	ø1.75	2H	G20 25mbar
0C2805	ø1.75/2.10	2L	G25 25mbar
0C2345	ø1.65/1.90	2K	G25.3 25mbar
0C2806	ø1.85/2.10	2ELL	G25 20mbar
0C2805	ø1.75/2.10	2S	G25.1 25mbar
0C5475	ø3.50	1a	G110 8mbar
0C3658	ø3.30	1b	G120 8mbar

D - Vite di minimo / Min screw ø60			
6DGT Code	Ref./ Notes		
002911	n°55	3+3B/P	G30 30mbar
002911	n°55	3B/P	G30 37mbar
002925	n°50	3B/P	G30 50mbar
002899	n°80	2H/2E+	G20 20mbar
002899	n°80	2H	G20 25mbar
002899	n°80	2L	G25 25mbar
002899	n°80	2K	G25.3 25mbar
002899	n°80	2ELL	G25 20mbar
002899	n°80	2S	G25.1 25mbar
-	adjust	1a	G110 8mbar
-	adjust	1b	G120 8mbar

E - Pilota fuochi / Pilot nozzle open burner			
6DGT Code	Ref./ Notes		
054593	n°25	3+3B/P	G30 30mbar
054593	n°25	3B/P	G30 37mbar
054593	n°25	3B/P	G30 50mbar
053670	n°41	2H/2E+	G20 20mbar
053670	n°41	2H	G20 25mbar
053670	n°41	2L	G25 25mbar
053670	n°41	2K	G25.3 25mbar
053670	n°41	2ELL	G25 20mbar
053670	n°41	2S	G25.1 25mbar
053669	n°75	1a	G110 8mbar
053669	n°75	1b	G120 8mbar

B - Ugello FORNO / Burner nozzle OVEN				C - Ugello pilota FORNO / Pilot nozzle OVEN			
6DGT Code	Ref. / Notes			6DGT Code	Ref. / Notes		
059804	ø1.25	3+3B/P	G30 30mbar	059216	n°14	3+3B/P	G30 30mbar
0C2810	ø1.20	3B/P	G30 37mbar	059216	n°14	3B/P	G30 37mbar
054082	ø1.10	3B/P	G30 50mbar	059216	n°14	3B/P	G30 50mbar
0C0509	ø1.85	2H/2E+	G20 20mbar	059215	n°27	2H/2E+	G20 20mbar
003723	ø1.75	2H	G20 25mbar	059215	n°27	2H	G20 25mbar
0C2811	ø2.00	2L	G25 25mbar	059215	n°27	2L	G25 25mbar
0C0509	ø1.85	2K	G25.3 25mbar	059215	n°27	2K	G25.3 25mbar
056147	ø2.10	2ELL	G25 20mbar	059215	n°27	2ELL	G25 20mbar
0C2811	ø2.00	2S	G25.1 25mbar	059215	n°27	2S	G25.1 25mbar
055133	ø3.80	1a	G110 8mbar	059356	n°50	1a	G110 8mbar
054128	ø3.40	1b	G120 8mbar	059356	n°50	1b	G120 8mbar
H - Ugello TuttaPiastra / Burner nozzle SolidTop 400 mm				H - Ugello TuttaPiastra / Burner nozzle SolidTop 800 mm			
6DGT Code	Ref. / Notes			6DGT Code	Ref. / Notes		
0A2088	ø0.95	3+3B/P	G30 30mbar	0A2533	ø1.35	3+3B/P	G30 30mbar
003397	ø0.90	3B/P	G30 37mbar	0A2101	ø1.25	3B/P	G30 37mbar
059357	ø0.85	3B/P	G30 50mbar	059314	ø1.15	3B/P	G30 50mbar
0A2082	ø1.40	2H/2E+	G20 20mbar	0A2301	ø1.95	2H/2E+	G20 20mbar
002393	ø1.30	2H	G20 25mbar	A05176400	ø1.85	2H	G20 25mbar
0A2091	ø1.45	2L	G25 25mbar	0A2105	ø2.10	2L	G25 25mbar
0A2082	ø1.40	2K	G25.3 25mbar	0A2301	ø1.95	2K	G25.3 25mbar
0A2103	ø1.55	2ELL	G25 20mbar	0A2083	ø2.20	2ELL	G25 20mbar
0A2091	ø1.45	2S	G25.1 25mbar	0A2105	ø2.10	2S	G25.1 25mbar
059383	ø2.80	No CE	G110 8mbar	0C0703	ø4.20	No CE	G110 8mbar
F - Pilota TuttaPiastra / Pilot nozzle SolidTop 400 mm				F - Pilota TuttaPiastra / Pilot nozzle SolidTop 800 mm			
6DGT Code	Ref./ Notes			6DGT Code	Ref./ Notes		
059216	n°14	3+3B/P	G30 30mbar	059216	n°14	3+3B/P	G30 30mbar
059216	n°14	3B/P	G30 37mbar	059216	n°14	3B/P	G30 37mbar
059216	n°14	3B/P	G30 50mbar	059216	n°14	3B/P	G30 50mbar
059215	n°27	2H/2E+	G20 20mbar	059215	n°27	2H/2E+	G20 20mbar
059215	n°27	2H	G20 25mbar	059215	n°27	2H	G20 25mbar
059215	n°27	2L	G25 25mbar	059215	n°27	2L	G25 25mbar
059215	n°27	2K	G25.3 25mbar	059215	n°27	2K	G25.3 25mbar
059215	n°27	2ELL	G25 20mbar	059215	n°27	2ELL	G25 20mbar
059215	n°27	2S	G25.1 25mbar	059215	n°27	2S	G25.1 25mbar
059381	n°75	No CE	G110 8mbar	059381	n°75	No CE	G110 8mbar
G - Vite di minimo T.P. / Min screw SolidTop 400 mm				G - Vite di minimo T.P. / Min screw SolidTop 800 mm			
6DGT Code	Ref./ Notes			6DGT Code	Ref./ Notes		
002908	n° 70	3+3B/P	G30 30mbar	002899	n° 80	3+3B/P	G30 30mbar
002908	n° 70	3B/P	G30 37mbar	002899	n° 80	3B/P	G30 37mbar
002904	n° 60	3B/P	G30 50mbar	002908	n° 70	3B/P	G30 50mbar
002902	n°105	2H/2E+	G20 20mbar	0C1326	n°120	2H/2E+	G20 20mbar
002902	n°105	2H	G20 25mbar	0C1326	n°120	2H	G20 25mbar
002902	n°105	2L	G25 25mbar	0C1326	n°120	2L	G25 25mbar
002902	n°105	2K	G25.3 25mbar	0C1326	n°120	2K	G25.3 25mbar
002902	n°105	2ELL	G25 20mbar	0C1326	n°120	2ELL	G25 20mbar
002902	n°105	2S	G25.1 25mbar	0C1326	n°120	2S	G25.1 25mbar
-	adjust	No CE	G110 8mbar	-	adjust	No CE	G110 8mbar

**TUTTAPIASTRA GAS E700XP
GAS SOLID TOP E700XP**

Pos	Factory Code	Spare part code	Descrizione	Description	Ref./Notes
1	0835856901	0C0204	PIEDE	FOOT	
1	0315252601	026806	PIEDE	FOOT	m,q,r
1a	050589CD00	0TTG45	PIASTRA DI RINFORZO PER PIEDE	PLATE FOR FOOT	
1a	0527861500	*	PIASTRA DI RINFORZO PER PIEDE	PLATE FOR FOOT	q,r
2	085089FF01	0C8598	RIVESTIMENTO LATERALE 800 MM	EXTERNAL PANEL 800 MM	ELX
2	085089FJ01	0CA950	RIVESTIM. LATERALE 800 MM	EXTERNAL PANEL 800 MM	ZAN, OEM
2	085089FG01	*	RIVESTIMENTO LATERALE 1200 MM	EXTERNAL PANEL 1200 MM	ELX
2	085089FK01	*	RIVESTIMENTO LATERALE 1200 MM	EXTERNAL PANEL 1200 MM	ZAN, OEM
2	085089F801	0C7536	RIVESTIMENTO LATERALE TOP 800 MM	EXTERNAL PANEL TOP 800 MM	ELX
2	085089FB01	0C8464	RIVESTIMENTO LATERALE TOP 800 MM	EXTERNAL PANEL TOP 800 MM	ZAN, OEM
2	085089F901	0CA725	RIVESTIMENTO LATERALE TOP 1200	EXTERNAL PANEL TOP 1200	ELX
2	085089FC01	0C7392	RIVESTIMENTO LATERALE TOP 1200	EXTERNAL PANEL TOP 1200	ZAN
3	0510814800	002529	SEMIPIASTRA ANTERIORE	FRONT HALF PLATE CAST IRON	b,e,h,m,r,t,u,x
4	0510814901	002530	SEMIPIASTRA POSTERIORE	REAR HALF PLATE CAST IRON	b,e,h,m,r,t,u,x
5	0510815000	002531	TAMPONE	DISK, PLATE	b,e,h,m,r,t,u,x
*	080083CJ00	0CB506	ASSIEME SEMIPIASTRA RADIANTE	HALF PLATE CAST IRON ASSEMBLY	3+4+5 - b,e,h,m,r,t,u,x
6	0530R01701	0C6891	BLOCCHETTO MANIGLIA	HANDLE SUPPORT	ELX
7	0530R01801	0C6823	TAPPO CHIUSURA MANIGLIA	STOPPER FOR HANDLE	ELX
8	087089AC00	0C7726	RIPIANO TUTTAPIASTRA su FORNO 800mm	WORKTOP SOLIDTOP on OVEN 800mm	ELX
8	087089MH00	0C7927	RIPIANO TUTTAPIASTRA su FORNO 800mm	WORKTOP SOLIDTOP on OVEN 800mm	ZAN, OEM
8	087089A801	0C7722	RIPIANO TUTTAPIASTRA 2B su FORNO 800mm	WORKTOP SOLIDTOP 2B on OVEN 800mm	ELX
8	087089MJ00	0C7928	RIPIANO TUTTAPIASTRA 2B su FORNO 800mm	WORKTOP SOLIDTOP 2B on OVEN 800mm	ZAN, OEM
8	087089AB01	0C7725	RIPIANO TUTTAPIASTRA 2B su FORNO 1200mm	WORKTOP SOLIDTOP 2B on OVEN 1200mm	ELX
8	087089MM01	0C7929	RIPIANO TUTTAPIASTRA 2B su FORNO 1200mm	WORKTOP SOLIDTOP 2B on OVEN 1200mm	ZAN, OEM
8	087089NC01	0C8367	RIPIANO 4B 1200mm	WORKTOP 4B 1200mm	ELX
8	087089NG01	0C8368	RIPIANO 4B 1200mm	WORKTOP 4B 1200mm	ZAN
9	085089K202	0C8363	CRUSCOTTO SIMPLESERVICE	C. PANEL SIMPLESERVICE	ELX 800
9	085089K301	0C8364	CRUSCOTTO SIMPLESERVICE	C. PANEL SIMPLESERVICE	ZAN 800
9	080083A000	*	CRUSCOTTO SIMPLESERVICE	C. PANEL SIMPLESERVICE	OEM 800
9	085089JQ02	0C8042	CRUSCOTTO TUTTAP. su FORNO	CONTR. PANEL SOLID TOP on OVEN	ELX oven 800
9	085089JR00	0C8046	CRUSCOTTO TUTTAP. su FORNO	CONTR. PANEL SOLID TOP on OVEN	ZAN oven 800
9	0800839J00	*	CRUSCOTTO TUTTAP. su FORNO	CONTR.PANEL SOLID TOP on OVEN	OEM oven 800
9	085089JS00	0C8043	CRUSCOTTO TUTTAP. 2B su FORNO	C. PANEL SOLID TOP 2B on OVEN	ELX - 800 2 Burner+oven
9	085089JT00	*	CRUSCOTTO TUTTAP. 2Bsu FORNO	C. PANEL SOLID TOP 2B on OVEN	ZAN - 800 2 Burner+oven
9	088839K00	*	CRUSCOTTO TUTTAP. 2B su FORNO	C.PANEL SOLID TOP 2B on OVEN	OEM - 800 2 Burner+oven
9	085089J102	0C7892	CRUSCOTTO TUTTAP. 2B su FORNO	C. PANEL SOLID TOP 2B on OVEN	ELX - 1200 2 Burner+oven
9	085589CW01	0C7899	CRUSCOTTO TUTTAP. 2Bsu FORNO	C. PANEL SOLID TOP 2B on OVEN	ZAN -- 1200 2 Burner+oven
9	0800839Y00	*	CRUSCOTTO TUTTAP. 2B su FORNO	C.PANEL SOLID TOP 2B on OVEN	OEM - 1200 2 Burner+oven

TUTTAPIASTRA GAS E700XP
GAS SOLID TOP E700XP

Pos	Factory Code	Spare part code	Descrizione	Description	Ref./Notes
9	085089K002	0C8361	CRUSCOTTO SIMPLESERVICE	C. PANEL SIMPLESERVICE	ELX - 800 2 Burners
9	085089KD01	0C8365	CRUSCOTTO SIMPLESERVICE	C. PANEL SIMPLESERVICE	ZAN -- 800 2 Burners
9	080083A100	0CA798	CRUSCOTTO SIMPLESERVICE	C. PANEL SIMPLESERVICE	OEM - 800 2 Burners
9	085089K102	0C8362	CRUSCOTTO SIMPLESERVICE	C. PANEL SIMPLESERVICE	ELX - 1200 4 Burners
9	085089KF01	0C8366	CRUSCOTTO SIMPLESERVICE	C. PANEL SIMPLESERVICE	ZAN - 1200 4 Burners
10	0527850500	0C0156	PIASTRA FISSAGGIO FIANCHI	SIDE PANEL JOINTING PLATE	
11					
12	0510805101	054823	PIASTRA RADIANTE DESTRA	RIGHT PLATE CAST IRON	
13	0210026714	050803	DISCO RADIANTE	DISK, PLATE	
13a	0330294200	001158	GANCIO SOLLEVADISCO	RINGS HOOK	
14	0510805201	054824	PIASTRA RADIANTE SINISTRA	LEFT PLATE CAST IRON	
*	080083CH00	0CB505	ASSIEME PIASTRA RADIANTE	PLATE CAST IRON ASSEMBLY	12+13+14
15	0511821400	0C2526	GRIGLIA FUOCHI	GRID OPEN BURNER	
16	050389LP00	0C7333	GRIGLIA CAMINO	GRATE FOR CHIMNEY	800mm + m,u
16	050389LM00	0C7705	GRIGLIA CAMINO	GRATE FOR CHIMNEY	1200mm
17	0511850D02	0C7330	MANOPOLA PER RUBINETTO GAS	KNOB, GAS COCK	ELX up to 2201
17	054887AV00	0C8645	MANOPOLA+ADATTATORE Ø8	KNOB+ ADAPTER Ø8	ELX from 2211
17	0548878101	0C7425	MANOPOLA PER RUBINETTO GAS	KNOB, GAS COCK	ZAN
17	0548865700	0C1380	MANOPOLA PER RUBINETTO GAS	KNOB, GAS COCK	OEM up to 1361
17	0548865600	0C1007	MANOPOLA PER RUBINETTO GAS	KNOB, GAS COCK	OEM from 1371
17a	054887AP00	0C8714	ADATTATORE Ø8	ADAPTER Ø8	ELX from 2211
18	0548876S01	0C6671	GHIERA FUOCO ANTERIORE	RING KNOB, FRONT BURNER	ELX
18	0548879F00	0C7243	GHIERA FUOCO ANTERIORE	RING KNOB, FRONT BURNER	ZAN, OEM
19	0548876T01	0C7332	GHIERA FUOCO POSTERIORE	RING KNOB, REAR BURNER	ELX
19	0548879G00	0C7244	GHIERA FUOCO POSTERIORE	RING KNOB, REAR BURNER	ZAN, OEM
20	0218912211	069567	MOLLETTA PER GHIERA	RING, RING KNOB	
21	0511850D02	0C7330	MANOPOLA TERMOST. VALVOLA	KNOB, GAS VALVE THERMOSTAT	ELX up to 2201
21	054887AV00	0C8645	MANOPOLA+ADATTATORE Ø8	KNOB+ ADAPTER Ø8	ELX from 2211
21a	054887AP00	0C8714	ADATTATORE Ø8	ADAPTER Ø8	ELX from 2211
21	0548877Z01	0C7179	MANOPOLA TERMOST. VALVOLA	KNOB, GAS VALVE THERMOSTAT	ZAN
21	0548872700	0C5252	MANOPOLA TERMOST. VALVOLA	KNOB, GAS VALVE THERMOSTAT	OEM
22	0548863303	0C2021	MANOPOLA ACCENDITORE VALV.	KNOB. GAS VALVE IGNITER	ELX
22	548878303	0C7181	MANOPOLA ACCENDITORE VALV.	KNOB. GAS VALVE IGNITER	ZAN
22	0548856603	0C0190	MANOPOLA ACCENDITORE VALV.	KNOB. GAS VALVE IGNITER	OEM
23	0548877401	0C7342	GHIERA PER VALVOLA FORNO	KNOB RING. GAS VALVE OVEN	ELX
23	0548879700	0C7241	GHIERA PER VALVOLA FORNO	KNOB RING. GAS VALVE OVEN	ZAN, OEM
24					
25	0538831100	0C6445	GRIGLIA PROTEZIONE BULBO	GRILL, PROTECTION PROBE	
26					
27	050389G501	0C7272	PORTA FORNO	DOOR, OVEN	
28	050389G600	0C7273	CONTROPORTA	INNER DOOR OVEN	
29	0560839601	0C0197	ISOLAMENTO PORTA FORNO	INSULATION, OVEN DOOR	
29a	0560802101	0C2305	ISOLAMENTO CIELO FORNO	INSULATION, OVEN TOP	
30	051589A500	0C7274	MANIGLIA FORNO	HANDLE, OVEN DOOR	ELX
30	051589A602	0C7226	MANIGLIA FORNO	HANDLE, OVEN DOOR	ZAN

**TUTTAPIASTRA GAS E700XP
GAS SOLID TOP E700XP**

Pos	Factory Code	Spare part code	Descrizione	Description	Ref./Notes
30	083089FY00	0C7946	MANIGLIA FORNO	HANDLE, OVEN DOOR	OEM
*	085589A302	0C7271	ASSIEME PORTA FORNO	COMPLETE DOOR	ELX
*	085589CH04	0C7276	ASSIEME PORTA FORNO	COMPLETE DOOR	ZAN
*	085589CQ02	0C7278	ASSIEME PORTA FORNO	COMPLETE DOOR	OEM
31	0835848100	0C0203	CERNIERA PORTA FORNO	HINGE, OVEN DOOR	
32	0205075423	052725	COPRICERNIERA	HINGE COVER	
33	051489AA00	0C6446	GUIDA PER GRIGLIA FORNO	GRATE LEADING	
33	051489AG00	0C6454	GUIDA PER GRIGLIA FORNO	GRATE LEADING	AUSTRALIA
34	0330260842	025020	GRIGLIA FORNO	GRID; OVEN	
34	856814402	0C6455	GRIGLIA FORNO	GRID; OVEN	AUSTRALIA
35	0500847401	054114	SUOLA	SOLE	
36	0315280702	050761	COPERTURA FORO PILOTA	COVERING, PILOT	
39	0522891100	*	FONDO VANO 1200 MM	BOTTOM CUPBOARD 1200 MM	
41	0522891200	*	CELLA VANO	CELL CUPBOARD	
42	0830898200	0C0201	MAGNETE PORTA	MAGNET, DOOR	
43	050389G300	0C7157	PORTA SINISTRA	LEFT DOOR, CUPBOARD	ELX
43	050389MB01	*	PORTA SINISTRA	LEFT DOOR, CUPBOARD	OEM
44	050489CQ00	0C7158	CONTROPORTA	INNER DOOR	
45	054887AH00	0C8769	MANIGLIA PORTA SINISTRA	HANDLE, LEFT DOOR	ELX
45	054887A802	0C8190	MANIGLIA PORTA SINISTRA	HANDLE, LEFT DOOR	ZAN
45	0854864203	0A5021	MANIGLIA PORTA SINISTRA	HANDLE, LEFT DOOR	OEM
*	085589CT03	0C7163	ASSIEME PORTA VANO	COMPLETE DOOR	ELX
*	085589CU05	0C7165	ASSIEME PORTA VANO	COMPLETE DOOR	ZAN
*	085589CV02	0C7627	ASSIEME PORTA VANO	COMPLETE DOOR	OEM
46	0516860801	0C0138	CERNIERA INFERIORE DESTRA	BOTTOM HINGE, RIGHT	
47	0516860901	0C0139	CERNIERA SUPERIORE DESTRA	TOP HINGE, RIGHT	
48	0529835402	0C0165	SUPPORTO CERNIERA FORNO	SUPPORT FOR HINGE, DOOR OVEN	
50	0516860700	0C0137	PIASTRA GIUNZIONE APPARECC.	JOINTING REAR PLATE	
51	0870838210	0C0218	FACCIATA FORNO 800mm	FRONT OVEN 800mm	
51	0870838309	0C0219	FACCIATA FORNO 1200mm	FRONT OVEN 1200mm	
52	0529850500	0C0182	PIASTRINA FACCIATA FIANCO	PLATE FRONT OVEN	
53	0522882600	*	INVOLUCRO FORNO	GAS OVEN SHELL	
54	0522882700	*	SCHIENALE FORNO GAS	REAR SIDE PANEL OVEN	
56	0522891101	*	FONDO VANO	BORROM PANEL TOP 800mm	
56	05038A2602	*	FONDO MONOBLOCCO 800mm	BOTTOM PANEL FREEST. 800mm	
56	05038A2702	*	FONDO MONOBLOCCO 1200mm	BOTTOM PANEL FREEST. 1200mm	
56	50389WD00	0C7391	FONDO GAS TOP	BOTTOM PANEL GAS TOP	m
56	5038A1W01	*	FONDO GAS TOP	BOTTOM PANEL GAS TOP	q,r
57	0543815000	059293	GUARNIZIONE OR	GASKET OR	
70	0533825302	*	ANTERIORE CAMINO FORNO	FRONT CHIMNEY OVEN	
71	0533825401	*	POSTERIORE CAMINO FORNO	REAR CHIMNEY OVEN	
71	0533828100	*	CAMINO TUTTA PIASTRA	CHIMNEY SOLID TOP	
72	0533828001	0CB717	CAMERA COMBUSTIONE	COMBUSTION CHAMBER	
72	0533828500	*	CAMERA COMBUSTIONE SS 800	COMBUSTION CHAMBER SS800	
73	0533828200	*	ANTERIORE CAMINO	FRONT PANEL CHIMNEY	
74	0543844000	0C6971	GUARNIZIONE	GASKET	
79	0853864402	0C0793	RIBALTA TUTTAPIASTRA	MANIFOLD SOLID	
79	0853864402	0C0793	RIBALTA TUTTAPIASTRA SU FORNO	MANIFOLD SOLIDTOP on OVEN	
79	0853864502	0C0794	RIBALTA SIMPLESERVICE SU FORNO	MANIFOLD SIMPLE SERV. ON OVEN	

**TUTTAPIASTRA GAS E700XP
GAS SOLID TOP E700XP**

Pos	Factory Code	Spare part code	Descrizione	Description	Ref./Notes
79	0853883400	0C2977	RIBALTA TUTTAP. SIMPLE SERVICE	MANIFOLD SOLIDTOP SIMPLE SERV.	
79	085589DP00	0C7589	RIBALTA SIMPLESERVICE 4B 1200	MANIFOLD SIMPLESERVICE 4B 1200	
79	085589DM00	0C7588	RIBALTA SIMPLESERVICE 800	MANIFOLD SIMPLESERVICE 800	
79	085589DN00	0C8197	RIBALTA SIMPLESERVICE + 2B 800	MANIFOLD SIMPLESERVICE + 2B 800	
80	0516863900	0C0140	FILTRO	FILTER	
81	0835857201	0C0205	RUBINETTO GAS	GAS TAP	
82	0853898400	0C2978	CONDUTTURA GAS BRUCIATORE	GAS PIPE, BURNER	
82	0853895100	0C2979	CONDUTTURA GAS SIMPLE SERVICE	GAS PIPE, SIMPLE SERVICE	b,e,h,m,r,t,u,x
83	0517898601	0C3633	CONDUTTURA PILOTA	GAS PIPE, PILOT	
83	0517898701	0C3639	CONDUTTURA PILOTA 1200MM	GAS PIPE, PILOT 1200MM	b,e,h,m,r,t,u,x
84	0214164400	052125	RACCORDO PILOTA	PIPE FITTING PILOT PIPE	
85	0215199700	052127	BICONO RUBINETTO	DOUBLE CONE, GAS TAP	
86	0517808700	059161	BICONO PILOTA	DOUBLE CONE, PILOT	
87	0511805801	059375	PORTAUGELLO	INJECTOR HOLDER	
88	0214105101	020997	CONTRODADO PORTAUGELLO	LOCK NUT, INJECTOR HOLDER	
89	510817900	004279	BRUCIATORE	BURNER	a,c,d,f,g,i,j,k,n, p,q,s,v,w
89	0830876503	005502	BRUCIATORE	BURNER	b,e,h,m,r,t,u,x
90	0510818001	004280	SPARTIFIAMMA	FLAME SPREADER	
91	0506841000	054536	DISCO PER BRUCIATORE	DISK, BURNER	
93	0206993401	052116	BOCCOLA	BUSH	
94	0830884100	005503	PILOTA	PILOT BURNER	Up to wk 14/2003
94	0830884101	0C7102	PILOTA	PILOT BURNER	From wk 15/2003
95	050489Y300	0CB509	SUPPORTO PILOTA	HOLDER PILOT	
96	0831800500	0C0202	TERMOCOPPIA	THERMOCOUPLE	
96	0830853101	051119	TERMOCOPPIA	THERMOCOUPLE	b,e,h,m,r,t,u,x
97	0214162000	0C0121	RACCORDO TERMOCOPPIA	PIPE FITTING, THERMOCOUPLE	
98	0830863300	059380	ELETTRODO	ELECTRODE	
99	0214164101	057960	RACCORDO ELETTRODO	PIPE FITTING, ELECTRODE	
100	0835834900	002605	ACCENDITORE PIEZO	PIEZOELECTRIC IGNITER	
101	0638883500	006514	CAVO	IGNITION CABLE	
102	0541809000	002816	COPERTURA PULSANTE PIEZO	COVER, PIEZO	
103	0506833401	054029	GUARNIZIONE UGELLO	GASKET, INJECTOR	
104	0835868100	0C2799	CONDUTTURA ANTERIORE FUOCHI	PIPE, FRONTAL OPEN BURNER	
105	0835868202	0C2800	CONDUTTURA POSTERIORE FUOCHI	PIPE, REAR OPEN BURNER	
106	0544821000	0C4192	CONDUTTURA ANTERIORE PILOTA	PIPE, FRONTAL PILOT	Up to 3281
106	051589BJ00	0C9553	CONDUTTURA ANTERIORE PILOTA	PIPE, FRONTAL PILOT	From 3291
106	0544820900	0C4193	CONDUTTURA POSTERIORE PILOTA	PIPE, REAR PILOT	Up to 3281
106	051589BH00	0C9552	CONDUTTURA POSTERIORE PILOTA	PIPE, REAR PILOT	From 3291
107	0510823900	0C3643	RACCORDO INFERIORE PILOTA	INFERIOR PILOT JUNCTION	
108	0835859300	0C0209	VALVOLA GAS MERTIK	GAS VALVE MERTIK	Up to 814
108	0835859302	0C5247	VALVOLA GAS MERTIK	GAS VALVE MERTIK	From 815
108	0835865602	0C5250	VALVOLA GAS MERTIK	GAS VALVE MERTIK	AUSTRALIA
109	0515827401	053665	BICONO	DOUBLE CONE	
110	0510819003	0C0124	SUPPORTO VENTURI	SUPPORT, VENTURI	
112	0510819103	0C0125	VENTURI 6 KW	VENTURI, 6 KW	
115	0510819303	0C0127	CORPO BRUCIATORE 6KW	BURNER 6KW	
117	0510819501	0C0129	SPARTIFIAMMA 6kW	FLAME SPREADER 6kW	
118	0806854300	0C3644	ASS. PILOTA	PILOT BURNER ASSEMBLY	

**TUTTAPIASTRA GAS E700XP
GAS SOLID TOP E700XP**

Pos	Factory Code	Spare part code	Descrizione	Description	Ref./Notes
119	0831800500	0C0202	TERMOCOPPIA	THERMOCOUPLE	
120	0514862501	051950	RACCORDO VALVOLA - RIBALTA	PIPE FITT. MAINFOLD - GAS VALVE	
121	0215170716	050682	OGIVA VALVOLA - RIBALTA	RING , MAINFOLD - GAS VALVE	
122	0835857602	0C0208	CONDUTTURA FORNO	PIPE, OVEN	
123	0516869500	0C0149	RACCORDO VALVOLA - COND.FORNO	PIPE FITTING, GAS VALVE - OVEN	
124	0516869600	0C0150	BICONO VALVOLA - COND.FORNO	DOUBLE CONE, GAS VALVE - OVEN	
125	0514829301	0A2125	DADO, CONDUTTURA FORNO	NUT, OVEN PIPE	
126	0215073101	060325	BICONO, CONDUTTURA FORNO	DOUBLE CONE, OVEN PIPE	
127	0544820800	0C0153	CONDUTTURA PILOTA	PIPE, PILOT	
128	0831823400	0C3584	BRUCIATORE FORNO	OVEN BURNER	
129	0511805401	059250	PORTAUGELLO	INJECTOR HOLDER	
130	0214105101	020997	CONTRODADO	LOCK NUT	
131	0830827102	054085	AREATORE	AREATOR	
132	0830852501	020094	TERMOCOPPIA FORNO	THERMOCOUPLE OVEN	
133	0529836201	0C0171	SQUADRETTA PILOTA	BRACKET, PILOT	
134	0529836300	0C0172	PROTEZIONE PILOTA	PROTECTION, PILOT	
135	0533819600	0C3472	PARAFIAMMA BRUCIATORE FORNO	FLAME SPREADER, OVEN	
138	0533814300	0C2823	CONVOGLIATORE BRUCIATORE	PROTECTION, BURNER	
139	0529836000	0C0169	CHIUSURA PER CONVOGLIATORE	PROTECTION TIGHTENER	
140	0529836101	0C0170	CHIUSURA PER BRUCIATORE	OVEN BURNER TIGHTENER	
141	0525867300	0A5415	PARAFIAMMA CAMERA COMB.	FIREPROOF COMBUSTION CHAMBER	
142	0246519800	0C2356	TAPPO PER RIBALTA	MANIFOLD STOPPER	
143	0533828400	*	PARETE SUP. CAMINO	UPPER PANEL, CHIMNEY	b,e,h,m,r,t,u,x



Electrolux Professional SPA
Viale Treviso 15
33170 Pordenone
www.electrolux-professional.com

NordCap GmbH & Co. KG
Thalendorststraße 15
28307 Bremen
Hauptsitz (Service, Finanzen & Personal, Lager, IT, Marketing)

Telefon: +49 421 48557-0
Telefax: +49 421 488650
E-Mail: bremen@nordcap.de

Die NordCap Verkaufsniederlassungen in Deutschland:

Nord: Hamburg • Ost: Berlin • Süd: Ingelheim • West: Erkrath

by **NordCap**[®]

ZANUSSI
PROFESSIONAL